



US00D981327S

(12) **United States Design Patent**  
**Mineur**

(10) **Patent No.:** **US D981,327 S**  
(45) **Date of Patent:** **\*\* Mar. 21, 2023**

(54) **DRIVE-POSITION TRUCK TIRE**

FOREIGN PATENT DOCUMENTS

(71) Applicant: **American Tire Engineering, Inc.**,  
Minnetonka, MN (US)

CA 2018565 A1 12/1990  
CN 301271406 S 6/2010

(Continued)

(72) Inventor: **Mark H. Mineur**, Fernandina Beach,  
FL (US)

OTHER PUBLICATIONS

(73) Assignee: **American Tire Engineering, Inc.**,  
Minnetonka, MN (US)

DR819, Double Road, Qingdao QJ Industrial Inc., Shandong,  
China, <https://qandjindustrialgroup.en.made-in-china.com/product/wMNnkORPrFYT/China-Smartway-Drive-Steer-Trailer-Truck-Tires-11R24-5-DR819-Heavy-Truck-Tyre-Weight-315-80R22-5-18.html>, 8  
pages.

(\*\*) Term: **15 Years**

(Continued)

(21) Appl. No.: **29/741,289**

(22) Filed: **Jul. 10, 2020**

*Primary Examiner* — John A Voytek

(51) **LOC (14) Cl.** ..... **12-15**

(74) *Attorney, Agent, or Firm* — Christensen, Fonder,  
Dardi & Herbert, PLLC

(52) **U.S. Cl.**

USPC ..... **D12/583**

(58) **Field of Classification Search**

USPC ..... D12/568–605, 900

CPC ..... Y10T 152/10027; B60C 1/0016; B60C

11/0306; B60C 11/0302; B60C 3/06;

B60C 9/17

See application file for complete search history.

(57) **CLAIM**

I claim the ornamental design for a drive-position truck tire,  
as shown and described.

(56) **References Cited**

**DESCRIPTION**

U.S. PATENT DOCUMENTS

4,600,456 A	7/1986	Oswald	
5,226,999 A	7/1993	Dugas	
D354,027 S	1/1995	Grosskopf	D12/900
D395,414 S	6/1998	Grosskopf	D12/900
D409,122 S	5/1999	Kemp, Jr.	D12/900
6,050,313 A	4/2000	Tsuda	
D481,670 S	11/2003	Harden, Jr. et al.	
D502,683 S	3/2005	Pang et al.	
D615,922 S	5/2010	Takano	
D660,224 S	5/2012	Takahashi	D12/900
D710,296 S	8/2014	Bani Hani	D12/900
D730,273 S	5/2015	Schimmoeller	
D732,465 S	6/2015	Yamada	
9,108,472 B2	8/2015	Hamanaka	
D743,327 S	11/2015	Schimmoeller	
D766,169 S	9/2016	Fujioka	D12/596

(Continued)

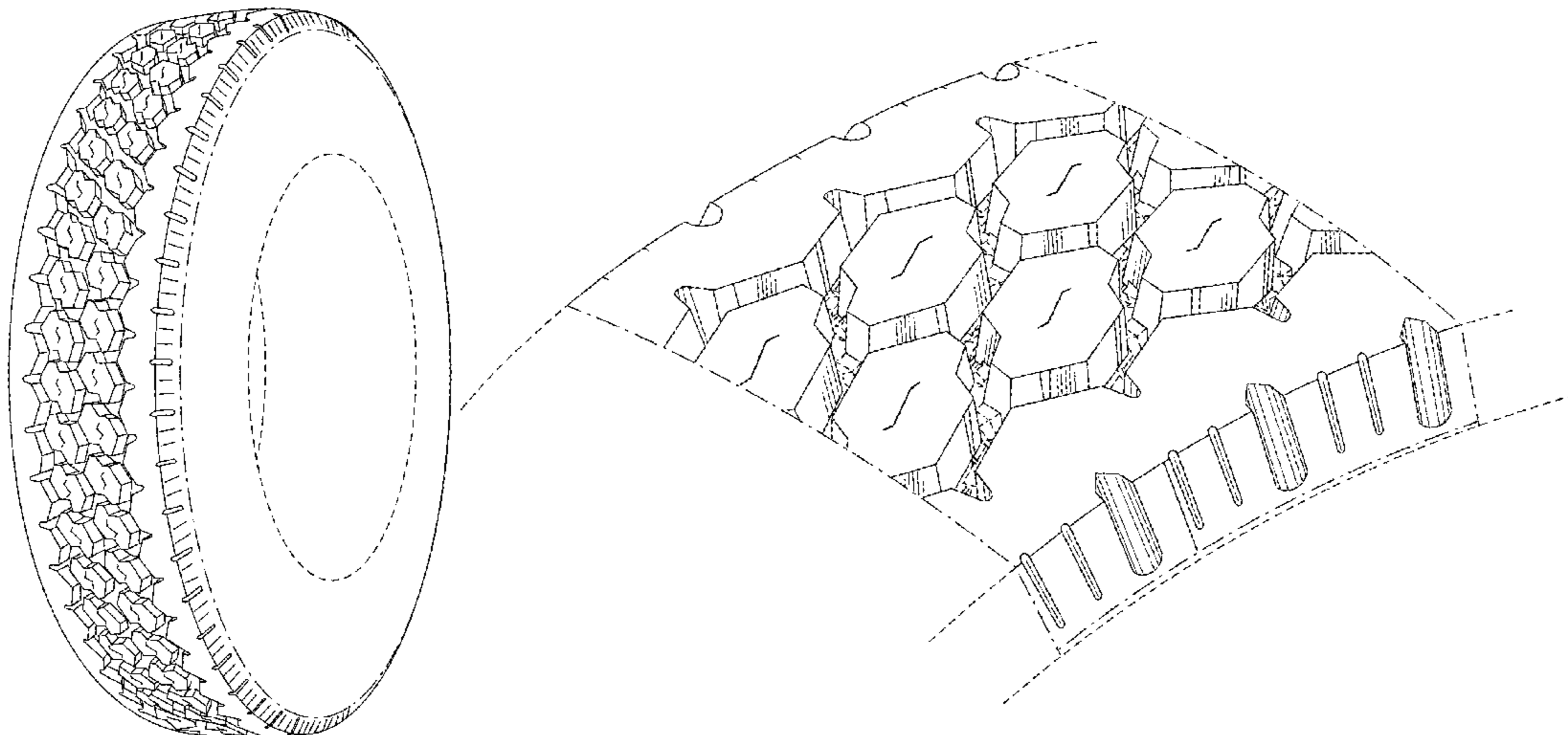
FIG. 1 is a perspective view of the drive-position truck tire according to my new design, it being understood that the tread pattern is repeated throughout the circumference of the tire;

FIG. 2 is a front elevational view thereof;  
FIG. 3 is a right side view thereof, with the left view being a mirror image of the right view; and,  
FIG. 4 is an enlarged partial perspective view, showing particular detail of the tread pattern thereof.

The dashed-pattern broken lines illustrated show portions of the drive-position truck tire that form no part of the claimed design.

The dash-dot-pattern broken line in the drawing views represents the boundaries of the claimed design.

**1 Claim, 4 Drawing Sheets**



(56)

References Cited

U.S. PATENT DOCUMENTS

D780,105	S	*	2/2017	Renis	.....	D12/604
D787,434	S		5/2017	Oji		
D789,284	S		6/2017	Krier et al.		
10,239,360	B2		3/2019	Fujioka		
D845,222	S	*	4/2019	Wu	.....	D12/596
D850,360	S		6/2019	Davenport		
D858,427	S	*	9/2019	Kochanek	.....	D12/583
D864,850	S	*	10/2019	Kristen	.....	D12/602
D870,030	S	*	12/2019	Wang	.....	D12/602
D875,657	S		2/2020	Hiser		
D880,407	S	*	4/2020	Schultz	.....	D12/583
D883,909	S	*	5/2020	Fujioka	.....	D12/900
D886,033	S	*	6/2020	Kristen	.....	D12/900
D886,725	S	*	6/2020	Sato	.....	D12/602
D894,112	S	*	8/2020	Koog	.....	D12/583
D919,557	S		5/2021	Davenport		
D930,569	S		9/2021	Yu et al.		
D931,195	S	*	9/2021	Kristen	.....	D12/583
D934,786	S	*	11/2021	Kochanek	.....	D12/583
2005/0230020	A1		10/2005	Miyake		
2008/0149241	A1		6/2008	Maruyama		
2009/0301627	A1		12/2009	Manno		
2011/0208488	A1		8/2011	Sakuraba		
2020/0290299	A1		9/2020	Mineur		
2021/0107245	A1		4/2021	Hosoda		

FOREIGN PATENT DOCUMENTS

CN	301597375	S	6/2011
CN	301693551	S	10/2011
CN	301953639	S	6/2012
CN	302042765	S	8/2012
CN	302605930	S	10/2013
EM	002376772-0001		12/2013
EP	0464438	A1	1/1992
JP	06055905	A	3/1994
JP	H08113014	A	5/1996
JP	2004351970		12/2004
JP	D1246742		6/2005
JP	2007276556	A	10/2007
JP	4266705	B2	5/2009
JP	4518657	B2	8/2010
JP	2014118011	A	6/2014
JP	5934597	B2	6/2016
JP	2019123448	A	7/2019
KR	100593008	B1	6/2006
KR	1020100121298	A	11/2010
WO	200037270	A1	6/2000
WO	2019037150	A1	2/2019
WO	2019142509	A1	7/2019
WO	2020190895	A2	9/2020
WO	WO-2021188139	A1	9/2021
WO	WO2022098732		5/2022

OTHER PUBLICATIONS

Bridgestone R150, Bridgestone Tyres New Zealand, <https://www.bridgestonetyres.co.nz/commercial/bridgestone-r150>.  
 DR818, Double Road, Wholesale Trailer Tyre Manufacturers 295/80r22.5 11r22.5 11r24.5 Heavy Truck Tyre Tread Depth, Qingdao QJ Industrial Inc., Shandong, China, <https://qandjindustrialgroup.en.made-in-china.com/product/bMinFNbGrCrL/China-Wholesale-Trailer-Tyre-Manufacturers-295-80r22-5-11r22-5-11r24-5-Heavy-Truck-Tyre-Tread-Depth.html>.

[en.made-in-china.com/product/bMinFNbGrCrL/China-Wholesale-Trailer-Tyre-Manufacturers-295-80r22-5-11r22-5-11r24-5-Heavy-Truck-Tyre-Tread-Depth.html](https://qandjindustrialgroup.en.made-in-china.com/product/bMinFNbGrCrL/China-Wholesale-Trailer-Tyre-Manufacturers-295-80r22-5-11r22-5-11r24-5-Heavy-Truck-Tyre-Tread-Depth.html).  
 DR819, Double Road, Qingdao QJ Industrial Inc., Shandong, China, <https://qandjindustrialgroup.en.made-in-china.com/product/bMinFNbGrCrL/China-Wholesale-Trailer-Tyre-Manufacturers-295-80r22-5-11r22-5-11r24-5-Heavy-Truck-Tyre-Tread-Depth.html>.  
 G150, Good Stability R-Stone Precur Tire Tread for Semi Trailer/Trailer Tire, Pattern J30, Jianxin, <http://www.tireretreadingmachine.com/sale-10508270-good-stability-r-stone-precure-tire-tread-for-for-semi-trailer-trailer-tire.html>.  
 G969, Good Stability R-Stone Precur Tire Tread for Semi Trailer/Trailer Tire, Pattern J30, Jianxin, <http://www.tireretreadingmachine.com/sale-10508270-good-stability-r-stone-precure-tire-tread-for-for-semi-trailer-trailer-tire.html>.  
 International Search Report dated Dec. 9, 2020 in International Application No. PCT/US2020/041425 filed Jul. 9, 2020.  
 RR706, Ultra-premium mixed service all-position tire, Double Coin Tires, <https://doublecointires.com/tire/rr706/>.  
 Osborne, D., "The Role of Cap Plies in Steel Belted Radial Tires", 16 pages, 2003.  
 Wanli Milever Brand 11r24.5 11r22.5 Trailer Tire on Alibaba.com, SDR06 Closed Shoulder Drive Tire, [https://www.alibaba.com/product-detail/WANLI-MILEVER-brand-11r24-5-11r22\\_62010710463.html?spm=a2700.7724857.normalList.31.3aaa67b31qqQPo](https://www.alibaba.com/product-detail/WANLI-MILEVER-brand-11r24-5-11r22_62010710463.html?spm=a2700.7724857.normalList.31.3aaa67b31qqQPo).  
 International Search Report and Written Opinion, from corresponding PCT application No. PCT/US2021/057863, dated Feb. 23, 2022, 10 pages.  
 DR818, Double Road, Wholesale Trailer Tyre Manufacturers, 295/80r22.5 11r22.5 11r24.5 Heavy Truck Tyre Tread Depth, Qingdao QJ Industrial Inc., Shandong, China, <https://qandjindustrialgroup.en.made-in-china.com/product/DMinFNbGrCrL/China-Wholesale-Trailer-Tyre-Manufacturers-295-80r22-5-11r22-5-11r24-5-Heavy-Truck-Tyre-Tread-Depth.html>, Feb. 4, 2020, 5 pages.  
 DR819, Double Road, Qingdao QJ Industrial Inc., Shandong, China, <https://qandjindustrialgroup.en.made-in-china.com/product/wMnNkORPrFYT/China-Smartway-Drive-Steer-Trailer-Truck-Tires-11R24-5-DR819-Heavy-Truck-Tyre-Weight-315-80R22-5-18.html>, Jan. 11, 2022, 8 pages.  
 Bridgestone R150, Bridgestone Tyres New Zealand, Mar. 4, 2020, <https://www.bridgestonetyres.co.nz/commercial/bridgestone-r150>, 2 pages.  
 G150, Good Stability R-Stone Precur Tire Tread for Semi-Trailer/Trailer Tire, Pattern J30, Jianxin, <http://www.tireretreadingmachine.com/sale-10508270-good-stability-r-stone-precure-tire-tread-for-for-semi-trailer-trailer-tire.html>, Mar. 4, 2020, 2 pages.  
 G969, Good Stability R-Stone Precur Tire Tread for Semi Trailer/Trailer Tire, Pattern J30, Jianxin, <http://www.tireretreadingmachine.com/sale-10508270-good-stability-r-stone-precure-tire-tread-for-for-semi-trailer-trailer-tire.html>, Apr. 3, 2020, 2 pages.  
 RR706, Ultra-Premium Mixed Service All-Position Tire, Double Coin Tires, Apr. 2, 2020, <https://www.doublecointires.com/tire/rr706/>, 3 pages.  
 Wanli Milever Brand, 11r24.5 11r22.5 Trailer Tire on Alibaba.com, SDR06 Closed Shoulder Drive Tire, [https://www.alibaba.com/product-detail/wanli-milever-brand-11r24-5-11r22\\_62010710463.html?spm=a2700.7724857.normalList.31.3aaa67b31qqQPo](https://www.alibaba.com/product-detail/wanli-milever-brand-11r24-5-11r22_62010710463.html?spm=a2700.7724857.normalList.31.3aaa67b31qqQPo), Apr. 3, 2020, 8 pages.  
 Mark et al., "Science and Technology of Rubber", Second Edition, 7 pages, 1994.

\* cited by examiner

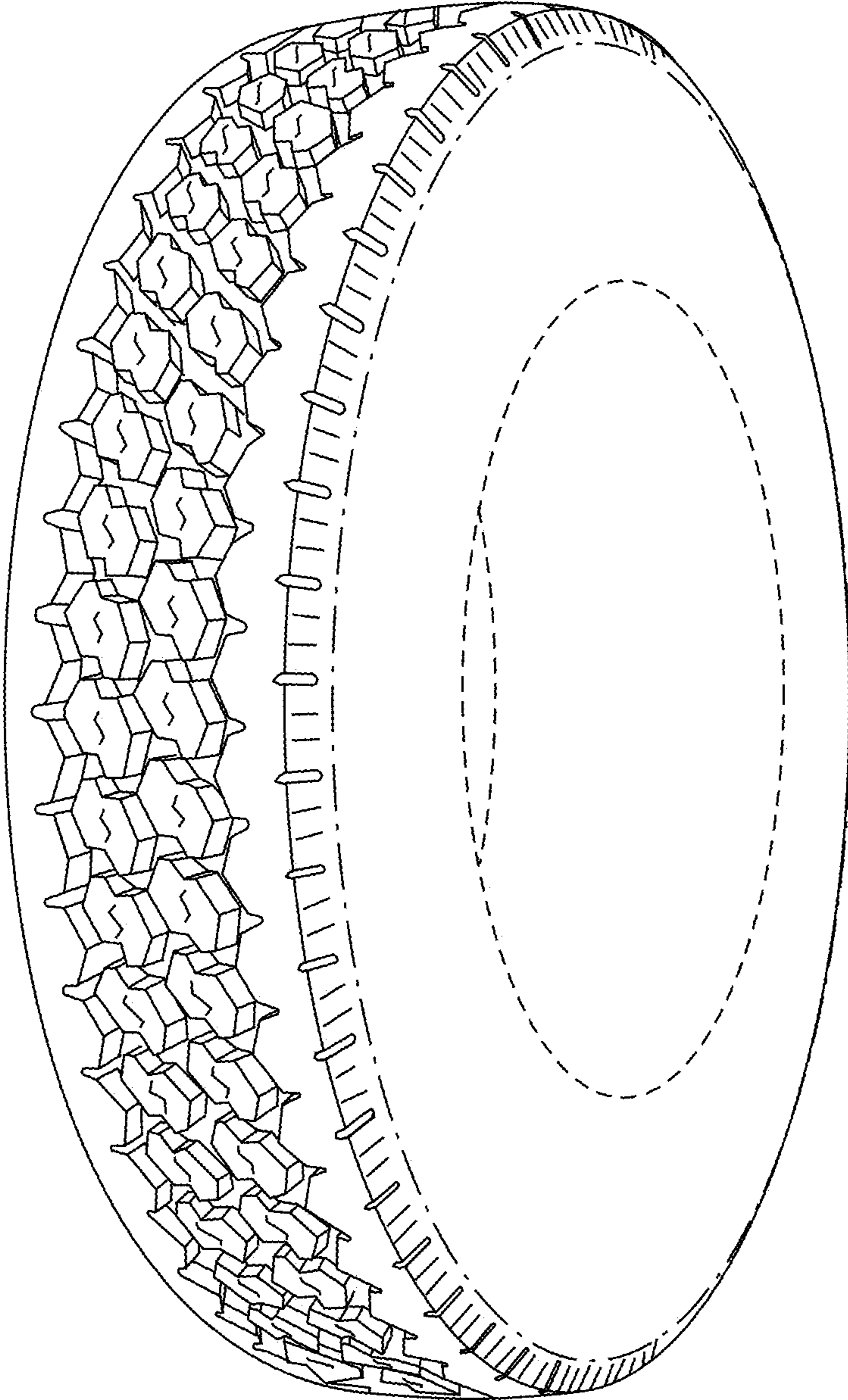


FIG. 1

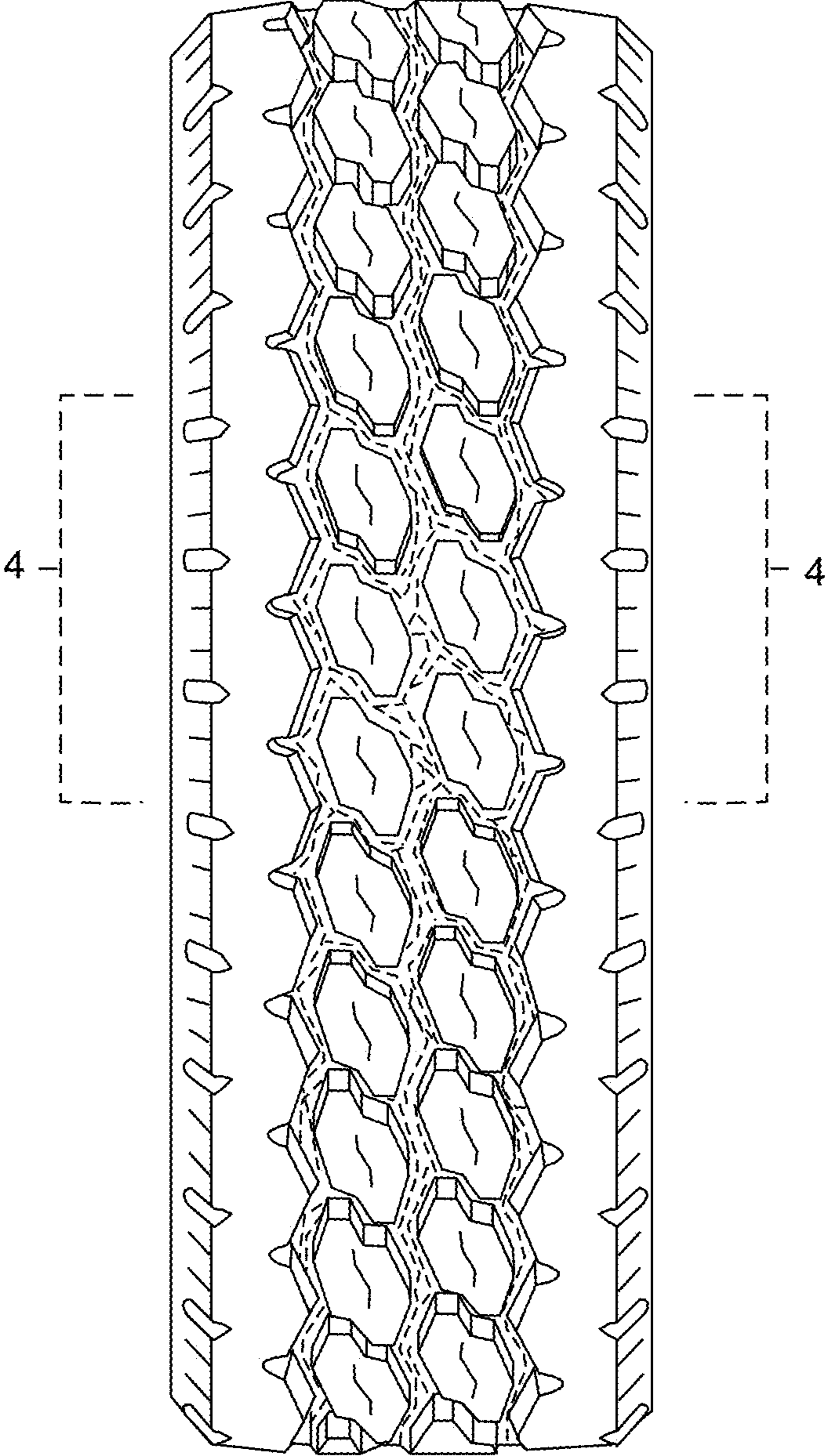


FIG. 2

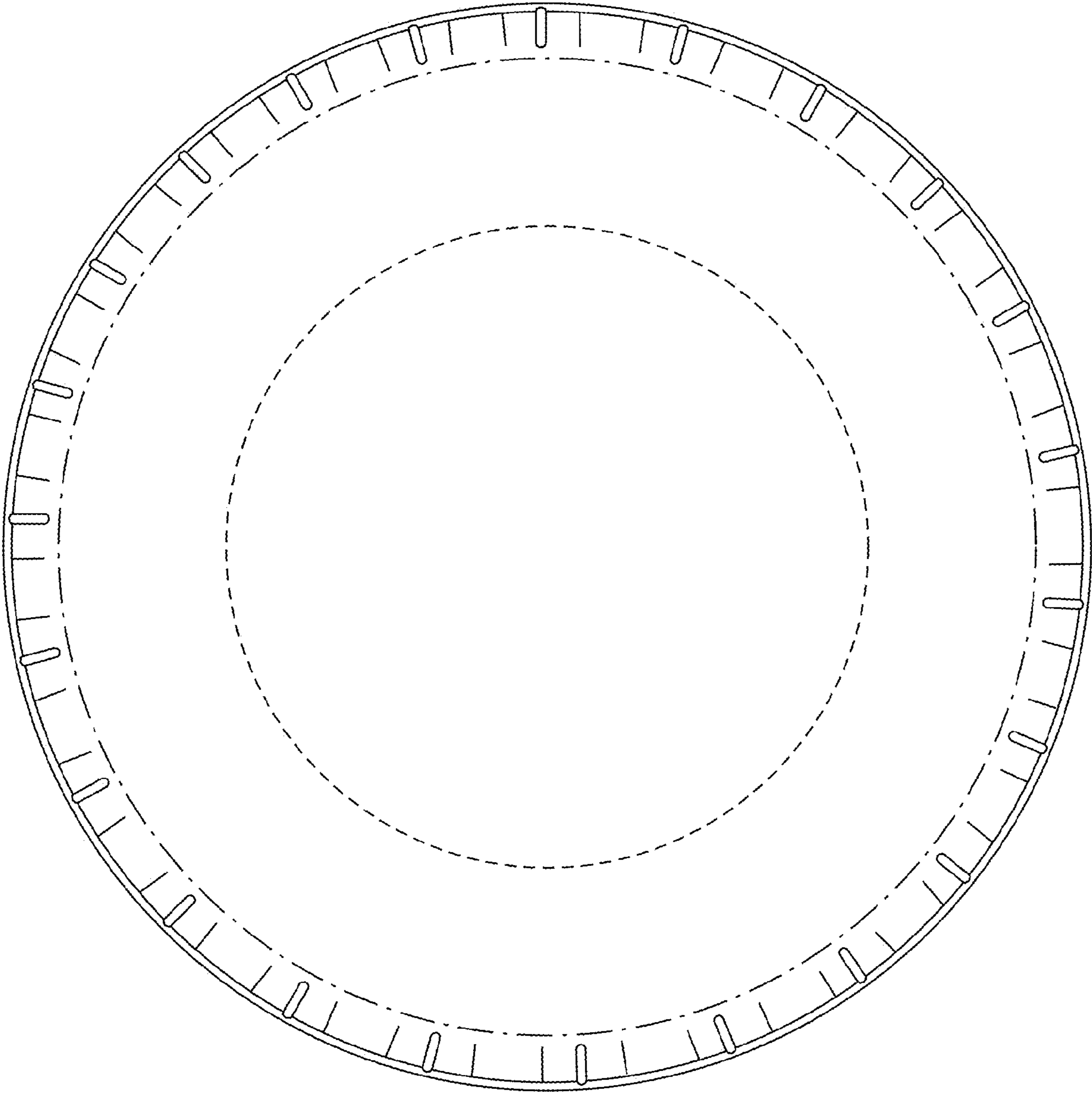


FIG. 3

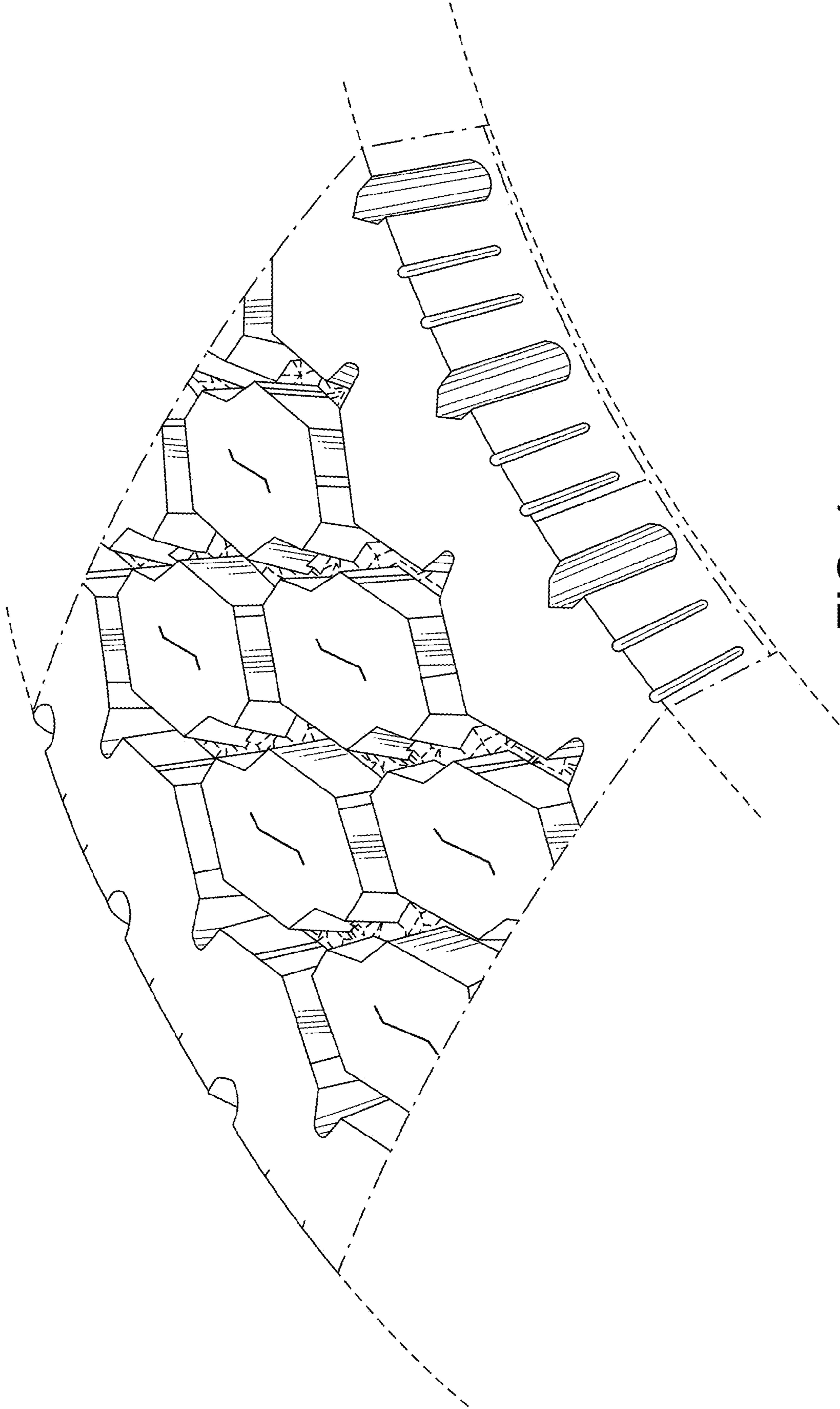


FIG. 4