



US00D981326S

(12) **United States Design Patent** (10) **Patent No.:** **US D981,326 S**
Wei (45) **Date of Patent:** **** Mar. 21, 2023**

(54) **CAR ARMREST HOLSTER**

OTHER PUBLICATIONS

(71) Applicant: **Guangzhou ZhiGong Trading Co., Ltd.**, Guangzhou (CN)

JDMCAR, Published date Apr. 11, 2021 [online], [retrieved on Aug. 3, 2022]. Retrieved from the Internet: <https://www.amazon.com/JDMCAR-Compatible-2015-2020-Accessories-Customized/dp/B0928MTSVD> (Year: 2021).*

(72) Inventor: **Zhiyou Wei**, Meizhou (CN)

Boomerang, Published date Nov. 15, 2017 [online], [retrieved on Aug. 3, 2022]. Retrieved from the Internet: <https://www.amazon.com/Boomerang-2015-2018-Ford-Tread-ArmPad/dp/B077HHJ55T> (Year: 2017).*

(*) Notice: Patent file contains an affidavit/declaration under 37 CFR 1.130(b).

(**) Term: **15 Years**

* cited by examiner

(21) Appl. No.: **29/804,070**

Primary Examiner — Cary M Robinson

Assistant Examiner — Adam C Mager

(22) Filed: **Aug. 18, 2021**

(51) **LOC (14) Cl.** **12-16**

(57) **CLAIM**

(52) **U.S. Cl.**
USPC **D12/421**

The ornamental design for a car armrest holster, as shown and described.

(58) **Field of Classification Search**

DESCRIPTION

USPC D12/190, 192, 195, 415, 416, 419, 421, D12/422, 423, 424, 425, 426; D6/356, D6/716, 716.2

CPC B60K 7/00; B60K 7/04
See application file for complete search history.

FIG. 1 is a perspective view of a car armrest holster showing my new design;

FIG. 2 is another perspective view thereof;

FIG. 3 is a perspective view thereof in a use state;

FIG. 4 is a front view thereof;

FIG. 5 is a rear view thereof;

FIG. 6 is a left side view thereof;

FIG. 7 is a right side view thereof;

FIG. 8 is a top plan view thereof; and,

FIG. 9 is a bottom plan view thereof.

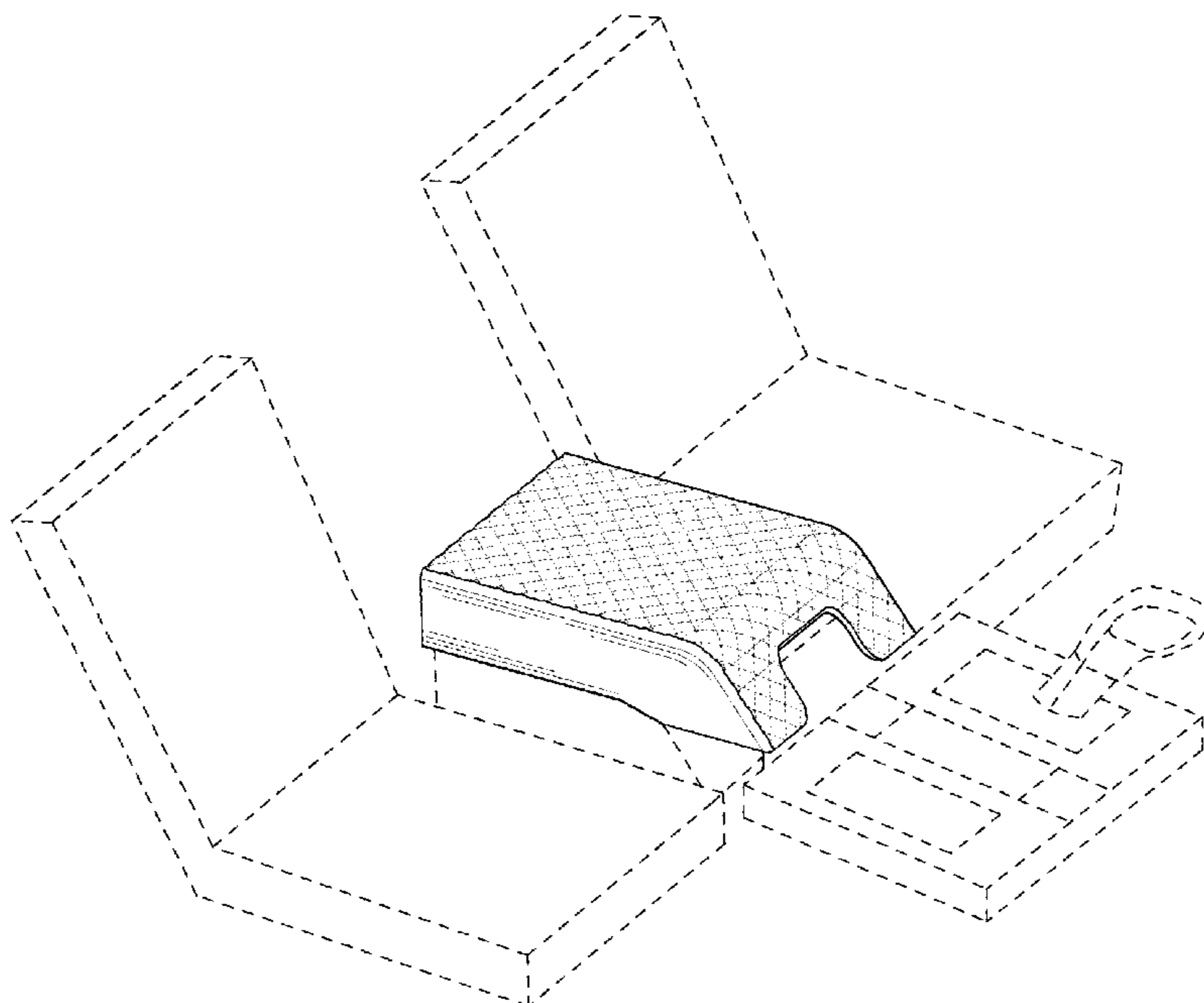
The broken lines showing in FIGS. 1, 3, 4 and 8 depict portions of the car armrest holster and form no part of the claimed design. The broken lines shown in FIG. 3 further depict environment of the car armrest holster and form no part of the claimed design.

(56) **References Cited**

U.S. PATENT DOCUMENTS

D205,400 S *	8/1966	Bray	D12/421
D485,801 S *	1/2004	Smith	D12/415
D535,609 S *	1/2007	Vitito	D12/421
D535,937 S *	1/2007	Vitito	D12/421
D535,957 S *	1/2007	Vitito	D12/421
D742,806 S *	11/2015	Vissers	D12/421
D742,807 S *	11/2015	Vissers	D12/421
D796,870 S	9/2017	Hoffman		
D802,519 S *	11/2017	Burch	D12/421
D856,266 S *	8/2019	Johns	D12/421
D867,023 S	11/2019	Yu		
D909,796 S	2/2021	Cooper		

1 Claim, 9 Drawing Sheets



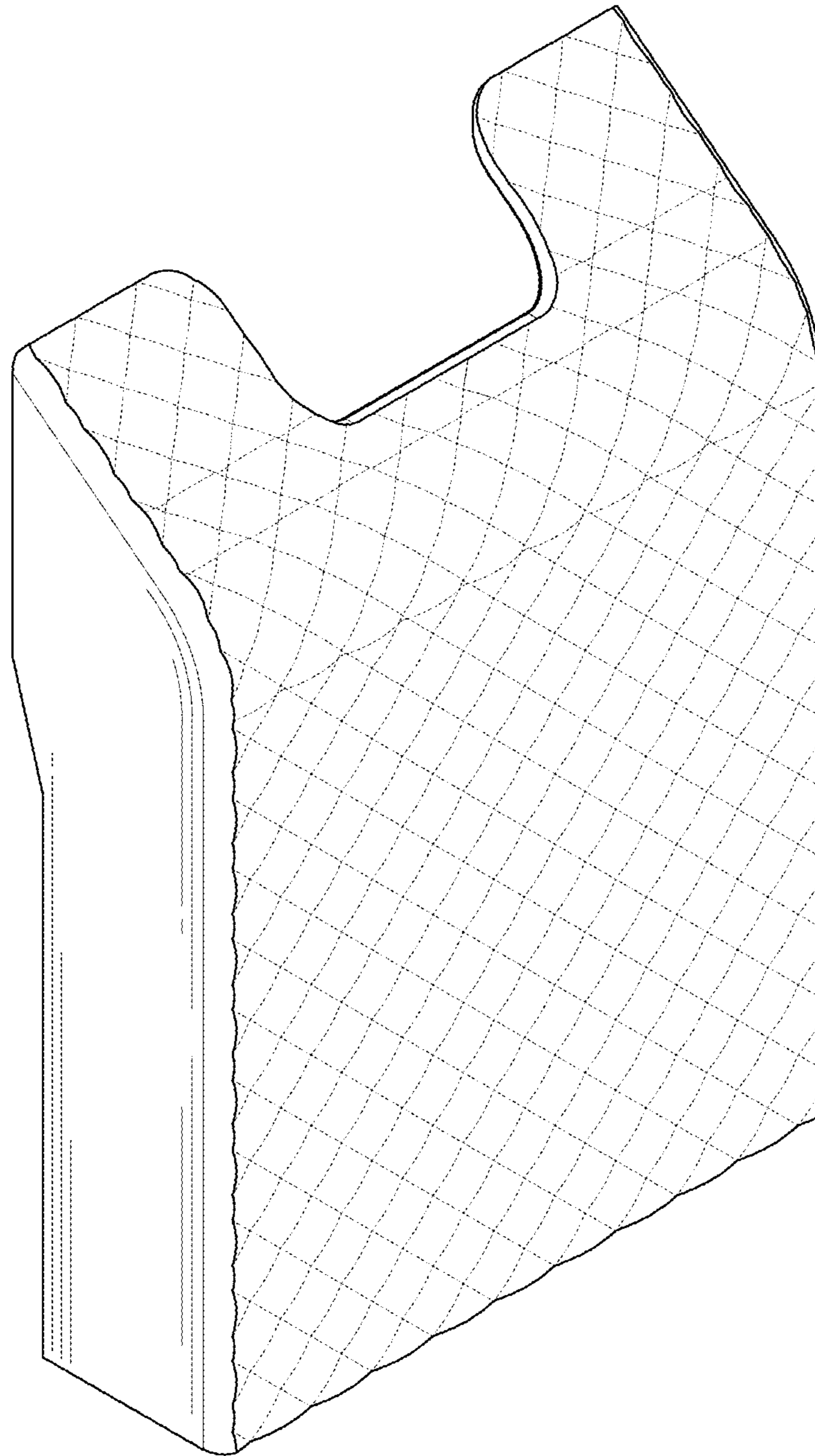


FIG. 1

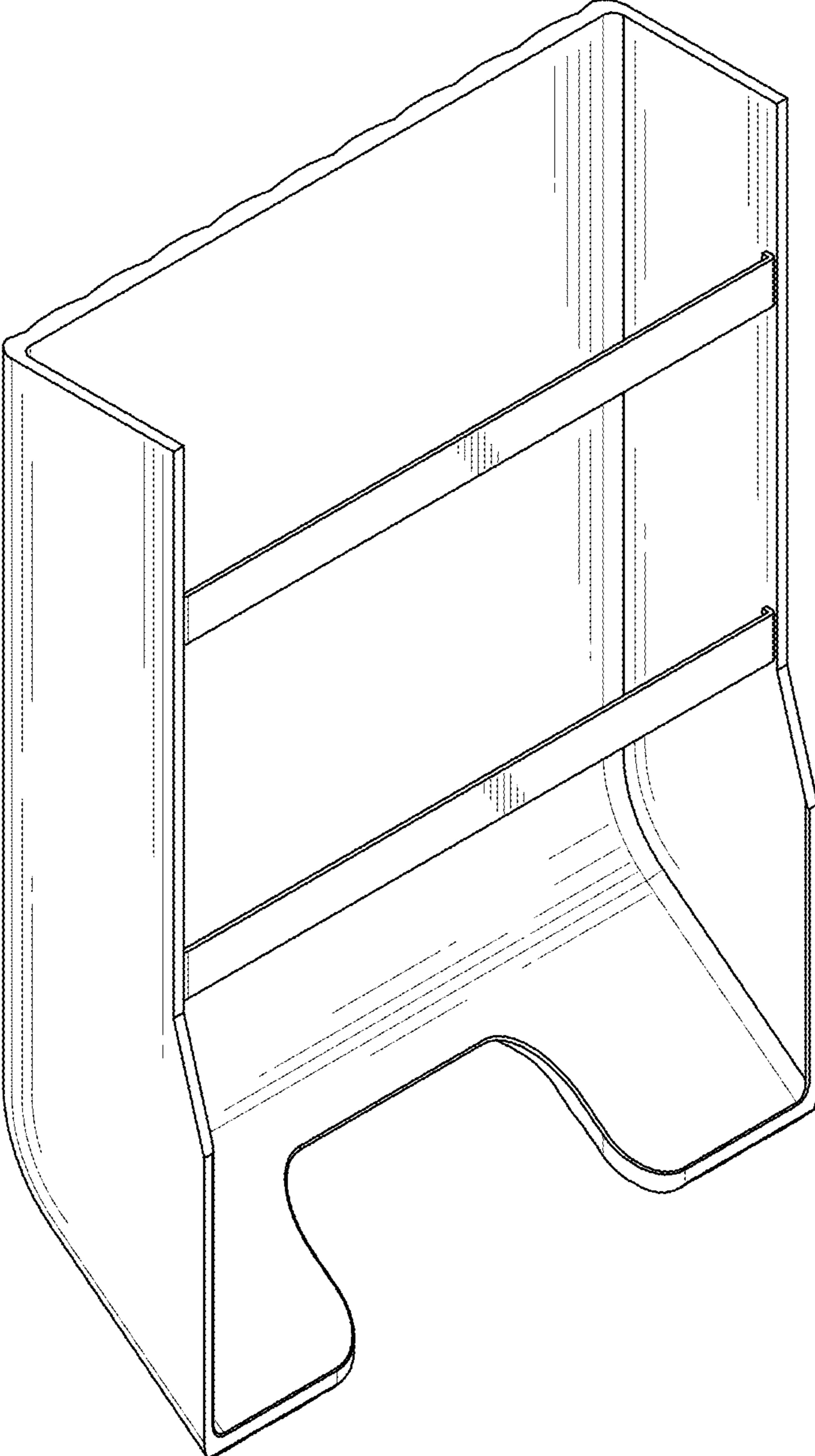


FIG. 2

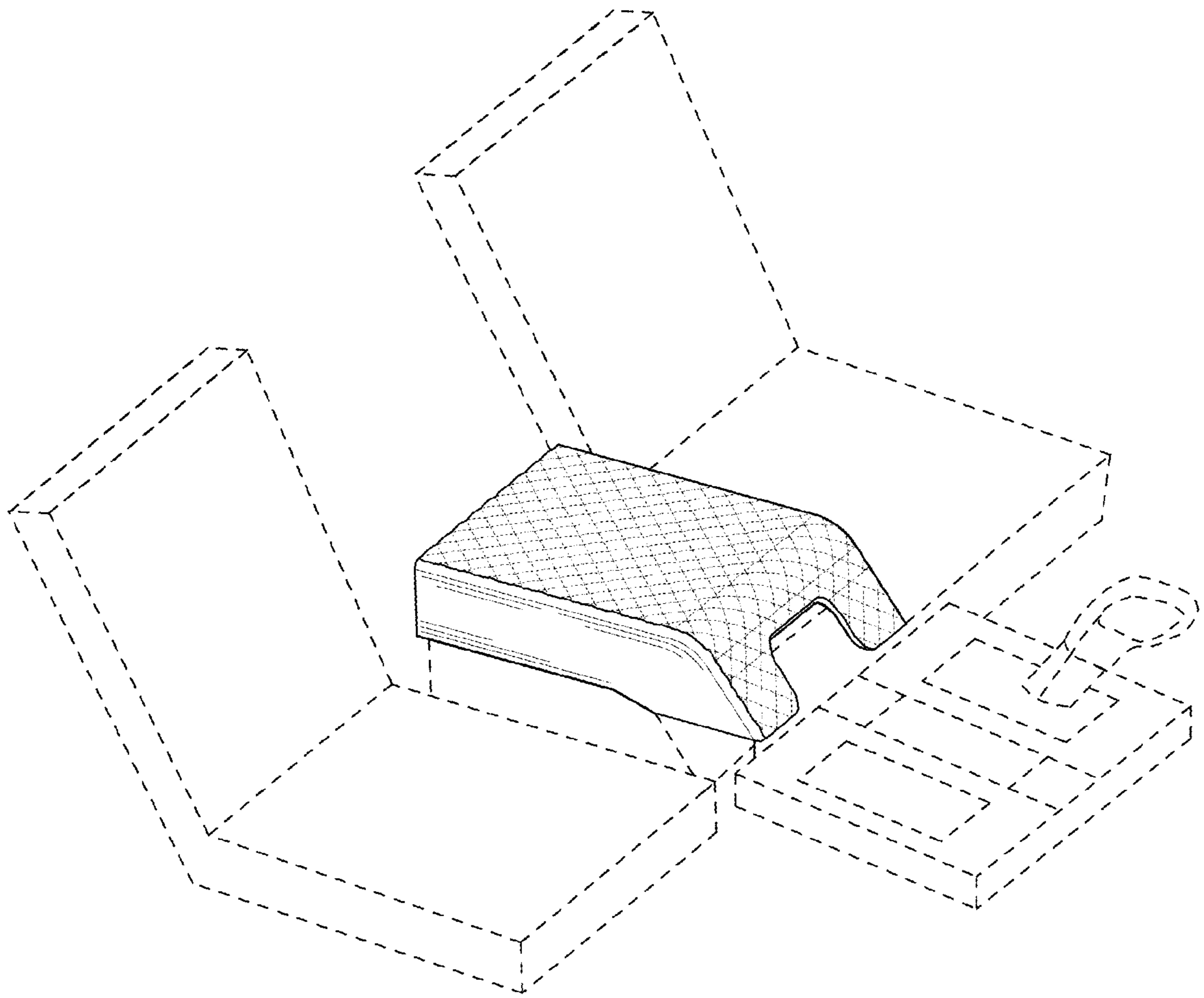


FIG. 3

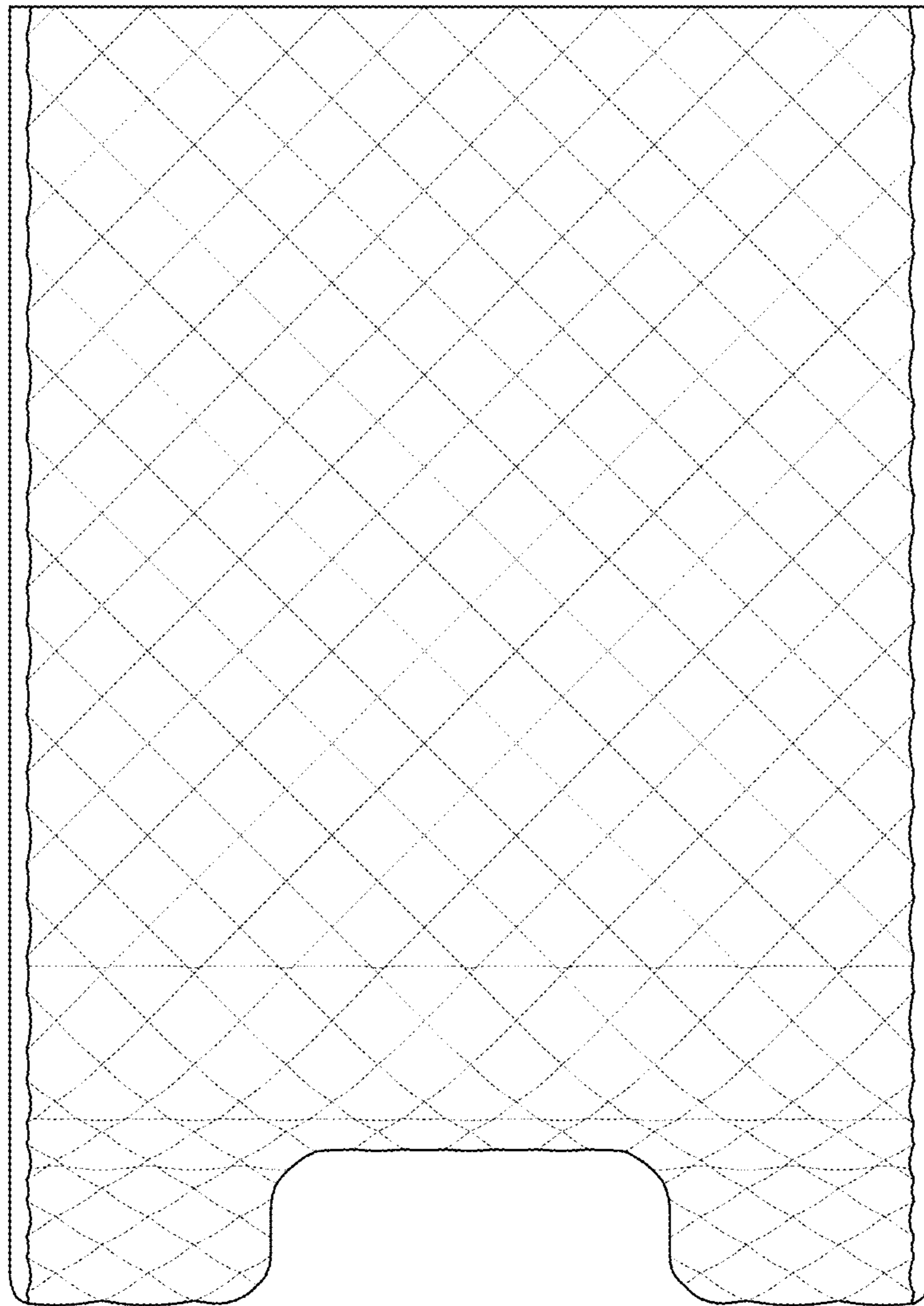


FIG. 4

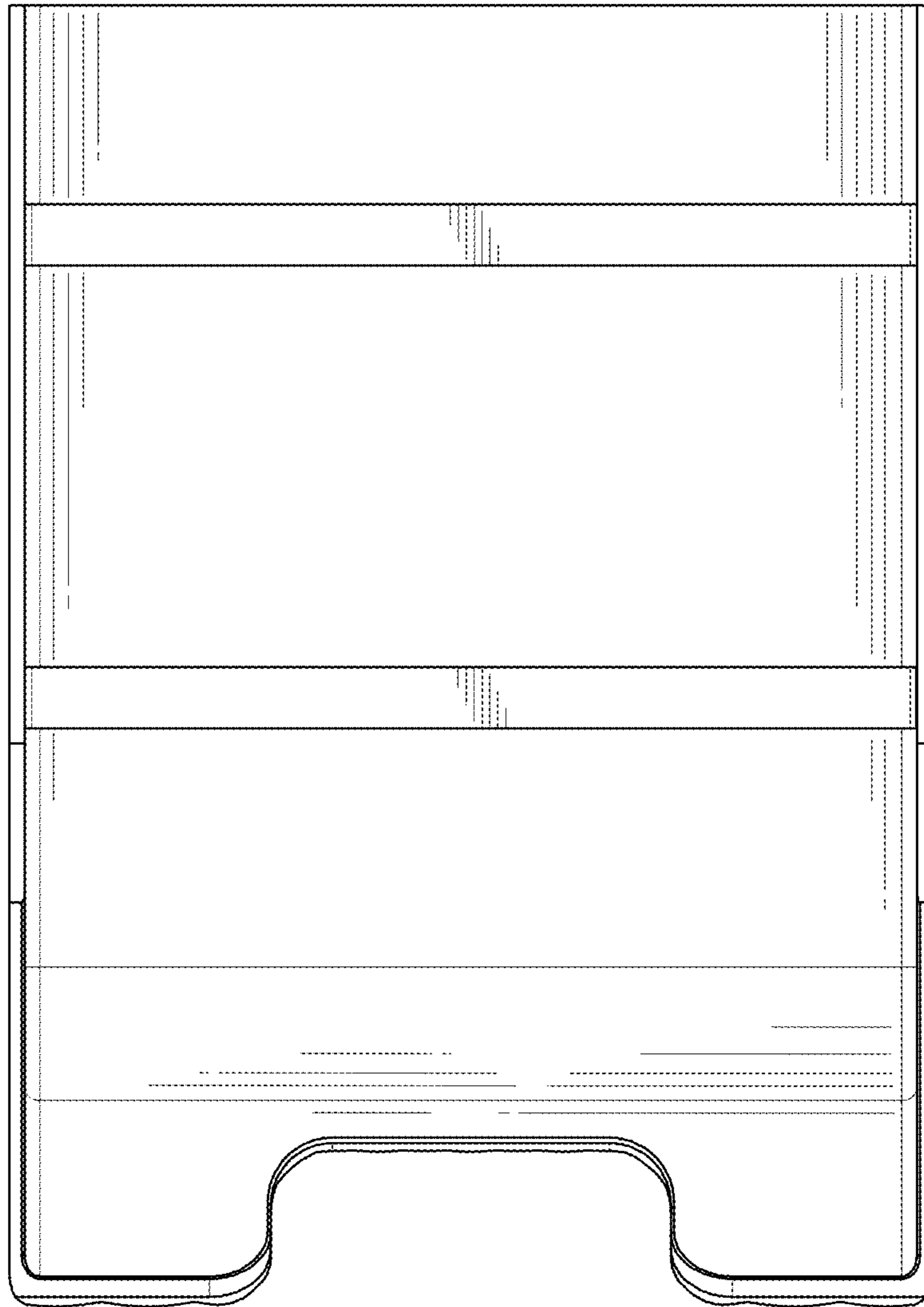


FIG. 5

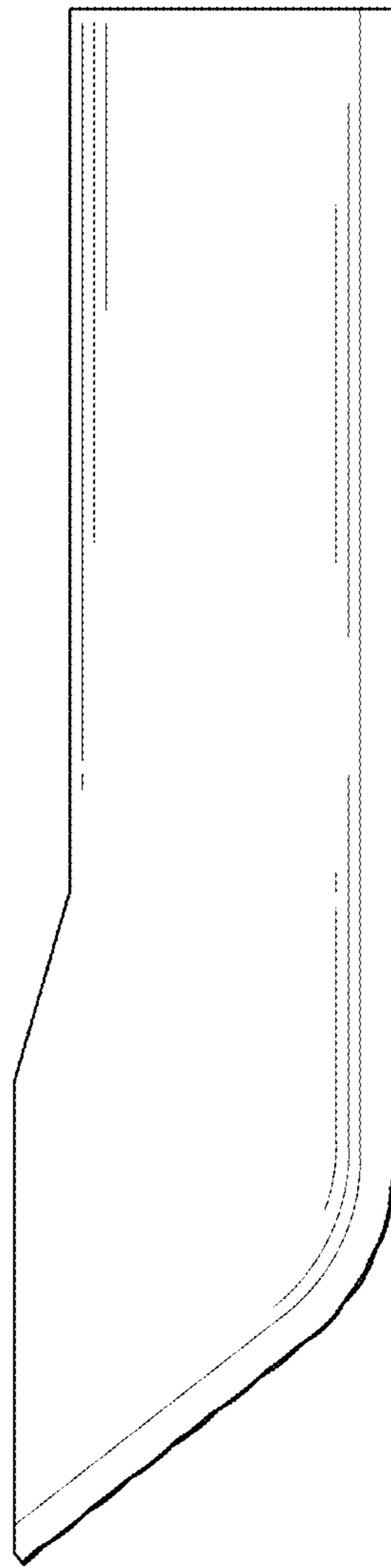


FIG. 6

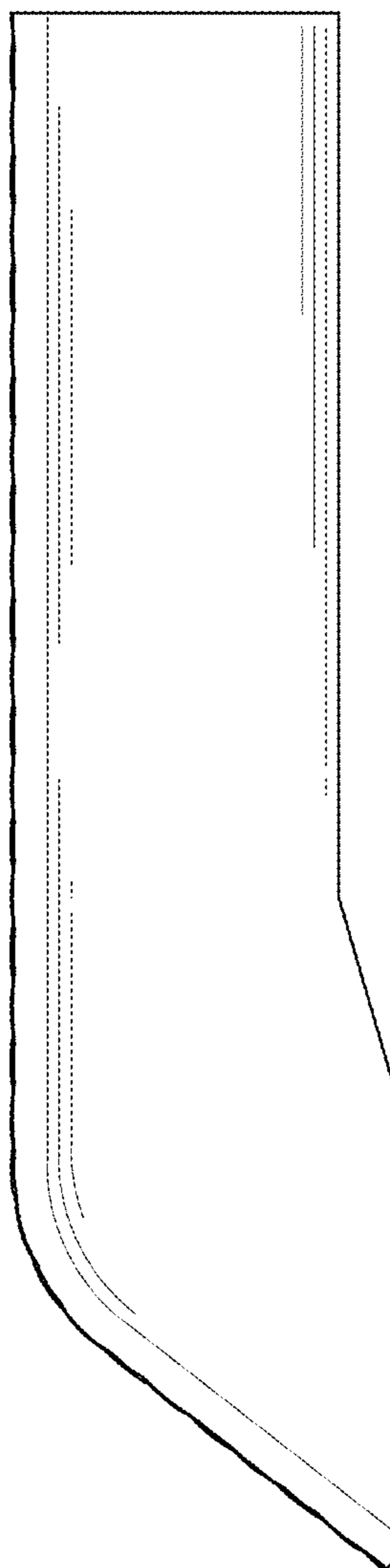


FIG. 7

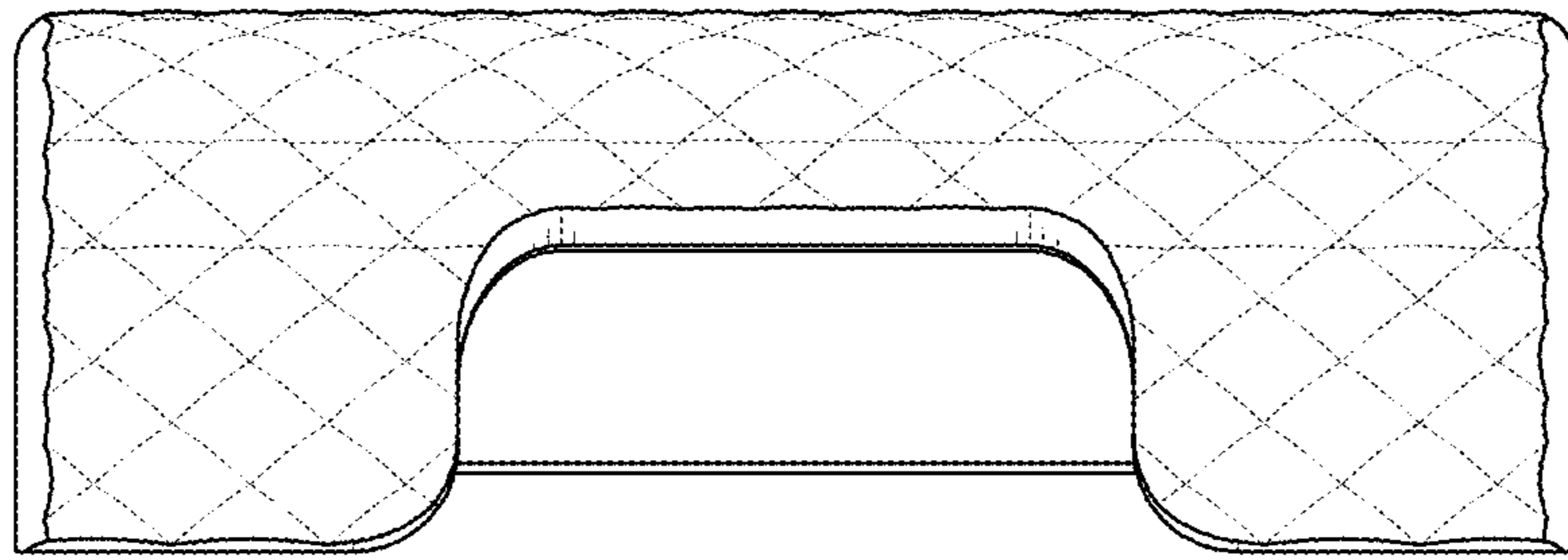


FIG. 8

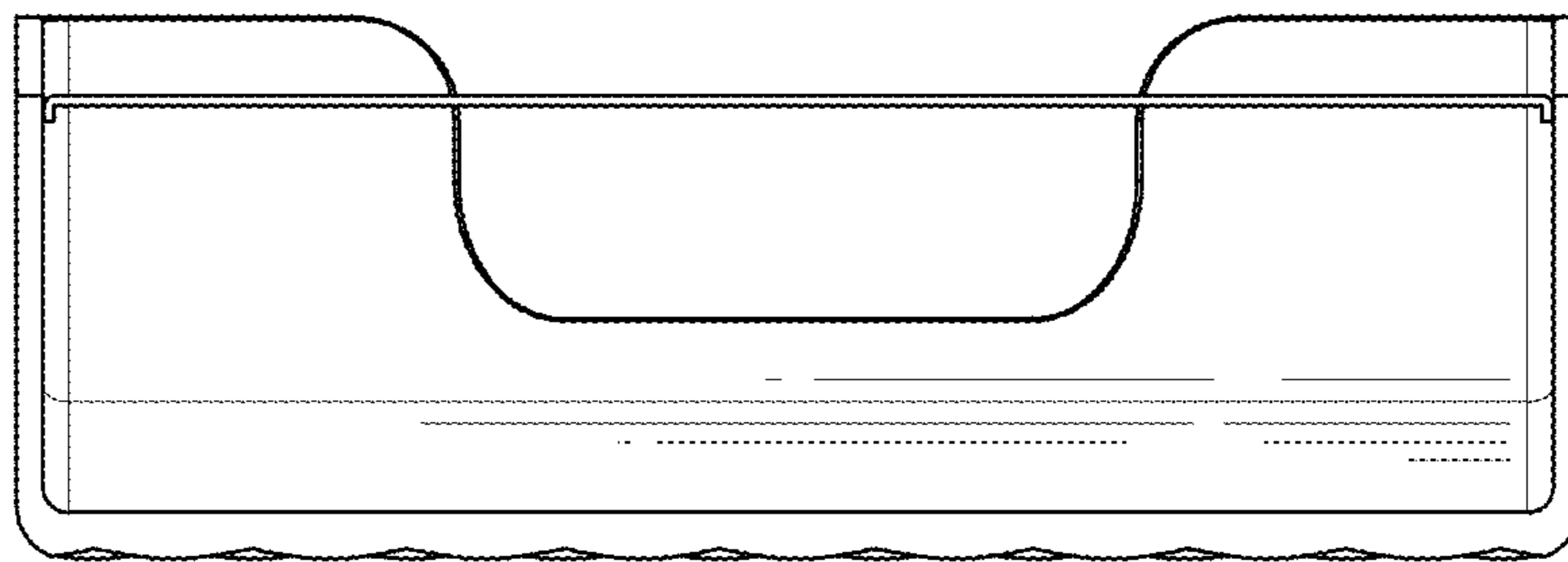


FIG. 9