



US00D981322S

(12) **United States Design Patent**
Lecointre et al.

(10) **Patent No.:** **US D981,322 S**
(45) **Date of Patent:** **** Mar. 21, 2023**

(54) **WATERCRAFT HULL**

OTHER PUBLICATIONS

(71) Applicant: **BOMBARDIER RECREATIONAL PRODUCTS INC.**, Valcourt (CA)

Sensational Carbon Fibre Trimaran By Hanstaiger!, announced in YouTube on Mar. 14, 2021 [online], [site visited Jul. 11, 2022], Available from the internet URL: <https://www.youtube.com/watch?v=yKpDFprP8Ew>.*

(72) Inventors: **Alexandre Lecointre**, Sherbrooke (CA); **Charles-Edouard Berche**, Bromont (CA); **Francois Chenevert**, Sherbrooke (CA); **Christian Lepine**, Bromont (CA); **Denys Lapointe**, Montreal (CA); **Christopher Rudwal**, Montreal (CA)

(Continued)

Primary Examiner — Darlington Ly
Assistant Examiner — D. Ryan Tisdale
(74) *Attorney, Agent, or Firm* — BCF LLP

(73) Assignee: **BOMBARDIER RECREATIONAL PRODUCTS INC.**, Valcourt (CA)

(57) **CLAIM**

The ornamental design for a watercraft hull, as shown and described.

(**) Term: **15 Years**

DESCRIPTION

(21) Appl. No.: **29/770,985**

FIG. 1 is a front elevation view of a watercraft hull according to an embodiment of our design;

(22) Filed: **Feb. 18, 2021**

FIG. 2 is a rear elevation view thereof;

(51) **LOC (14) Cl.** **12-06**

FIG. 3 is a right side elevation view thereof;

(52) **U.S. Cl.**

FIG. 4 is a left side elevation view thereof;

USPC **D12/314**

FIG. 5 is a top plan view thereof;

(58) **Field of Classification Search**

USPC D12/300, 302–304, 306–308, 310,
D12/312–318, 413; D14/300; D21/542,
D21/544

FIG. 6 is a bottom plan view thereof;

FIG. 7 is a perspective view taken from a bottom, front, left side of a watercraft hull according to another embodiment of our design;

(Continued)

FIG. 8 is a front elevation view thereof;

(56) **References Cited**

U.S. PATENT DOCUMENTS

1,220,558 A * 3/1917 Richardson B63B 1/042
114/61.32
2,524,188 A * 10/1950 Christie B63B 1/125
114/44

FIG. 9 is a rear elevation view thereof;

FIG. 10 is a right side elevation view thereof;

FIG. 11 is a left side elevation view thereof;

FIG. 12 is a top plan view thereof;

FIG. 13 is a bottom plan view thereof;

FIG. 14 is a perspective view taken from a bottom, front, left side of a watercraft hull according to another embodiment of our design;

(Continued)

FIG. 15 is a front elevation view thereof;

FIG. 16 is a rear elevation view thereof;

FIG. 17 is a right side elevation view thereof;

FIG. 18 is a left side elevation view thereof;

FIG. 19 is a top plan view thereof;

FIG. 20 is a bottom plan view thereof;

FOREIGN PATENT DOCUMENTS

CN 307094045 * 2/2022
KR 301153411.0000 * 3/2022

(Continued)

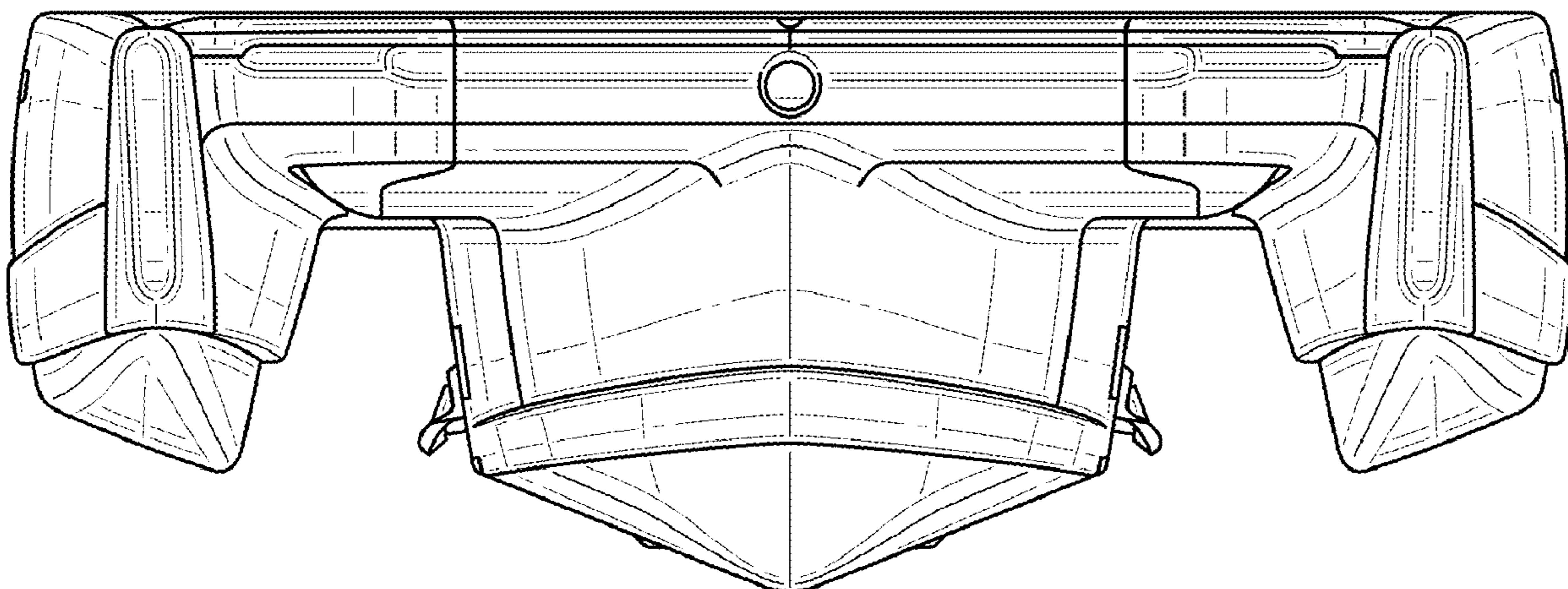


FIG. 21 is a perspective view taken from a bottom, front, left side of a watercraft hull according to another embodiment of our design;

FIG. 22 is a front elevation view thereof;

FIG. 23 is a rear elevation view thereof;

FIG. 24 is a right side elevation view thereof;

FIG. 25 is a left side elevation view thereof;

FIG. 26 is a top plan view thereof; and,

FIG. 27 is a bottom plan view thereof.

The broken lines in the drawings illustrate portions of the watercraft hull that form no part of the claimed design. The watercraft hull is shown with a symbolic break in its length. The breakaway symbols and any portions of the watercraft hull between the breakaway symbols do not form part of the claimed design.

1 Claim, 27 Drawing Sheets

(58) **Field of Classification Search**

CPC B63B 1/00; B63B 1/042; B63B 1/125;
B63B 7/00; B63B 34/10; B63B 17/00;
B63B 17/02; B63H 8/00; B63H 9/00

See application file for complete search history.

(56) **References Cited**

U.S. PATENT DOCUMENTS

D197,034 S	*	12/1963	Lofé	D12/312
D197,363 S		1/1964	Stevens	
D201,109 S		5/1965	Stevens	
3,191,572 A		6/1965	Wilson	
3,288,096 A	*	11/1966	Swenson	B63B 1/20 114/280
3,345,967 A	*	10/1967	Sweet	B63B 1/12 D12/312
D219,795 S		1/1971	Field	
D220,407 S		4/1971	Kovach	
D226,239 S		1/1973	Varnier	
4,348,972 A		9/1982	Parsons	
D267,866 S		2/1983	Parsons	

4,672,905 A		6/1987	Pipkorn	
D292,908 S	*	11/1987	Moar	D12/318
D301,573 S		6/1989	Fuller	
D315,716 S	*	3/1991	Erickson	D12/307
D319,619 S	*	9/1991	Kotzebue	D12/315
D324,021 S	*	2/1992	Walker	D12/303
D329,418 S	*	9/1992	Jackson	D12/310
5,282,763 A	*	2/1994	Dixon	B63H 25/42 114/151
5,655,473 A	*	8/1997	Arvilla	B63B 1/322 114/61.1
5,829,376 A	*	11/1998	Kostanski	B63B 1/322 114/61.1
D418,104 S	*	12/1999	Bove	D12/314
6,067,923 A	*	5/2000	Ratlief, Jr.	B63B 1/20 114/289
6,546,890 B1	*	4/2003	Craig	B63B 43/14 114/283
6,708,642 B1	*	3/2004	Taylor	B63B 1/285 114/291
D504,921 S	*	5/2005	Wei	D21/542
H2173 H	*	10/2006	Newborn	B63B 1/042 114/61.12
9,242,700 B1		1/2016	Viviani et al.	
D807,272 S	*	1/2018	von Meer	D12/304
D895,525 S		9/2020	Lecointre et al.	
10,953,955 B1	*	3/2021	Fieldhouse	B63B 1/32
2005/0204981 A1	*	9/2005	Little	B63B 1/12 114/61.1
2008/0047477 A1	*	2/2008	Graf	B63B 1/20 52/27
2009/0235857 A1	*	9/2009	Hodapp	B63B 21/00 114/343
2020/0262517 A1	*	8/2020	Vodopianov	B63B 1/32
2021/0229783 A1	*	7/2021	Lacefield	B63B 1/125

OTHER PUBLICATIONS

Rinker Flotilla III triple fiberglass deck boat, www.listedbuy.com (online), Published on Apr. 15, 2018 (retrieved on Apr. 23, 2020). Retrieved from the Internet <URL:https://www.listedbuy.com/boats/pontoon/richardson-tx/rinker-flotilla-iii-triple-fiberglass-deck-boat>, Year 2018.

* cited by examiner

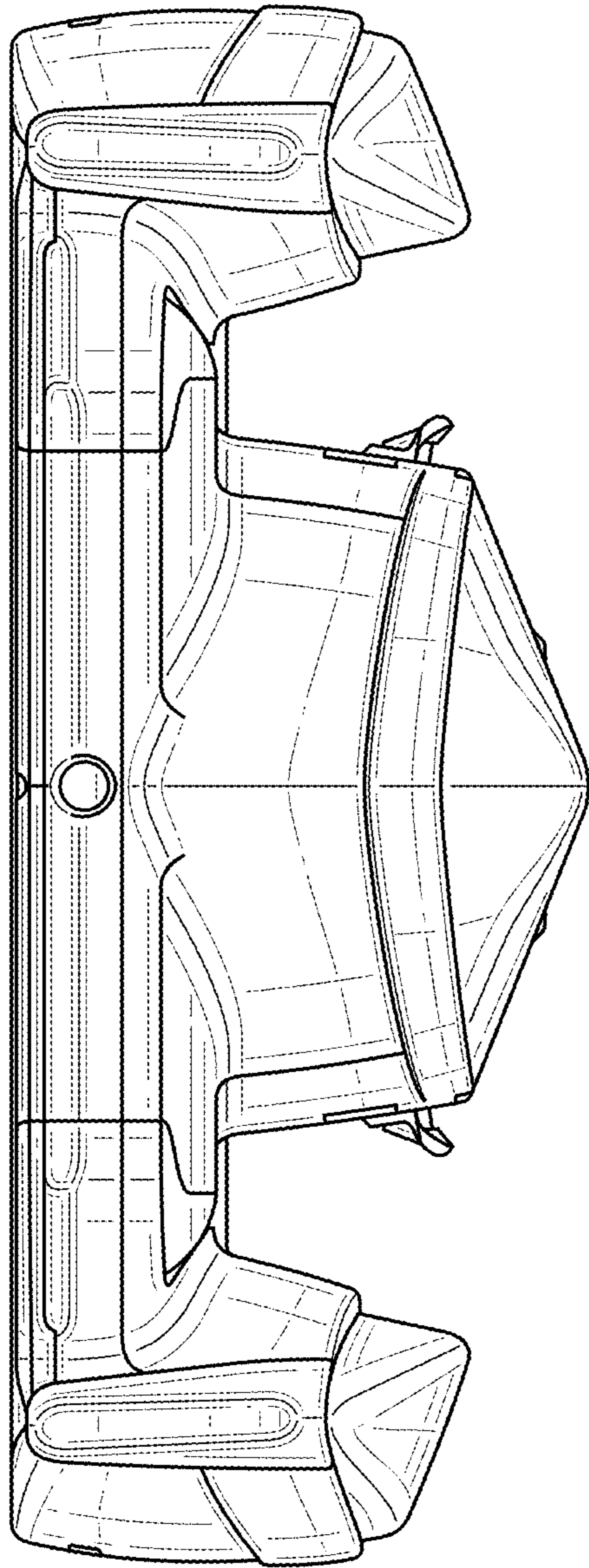


FIG. 1

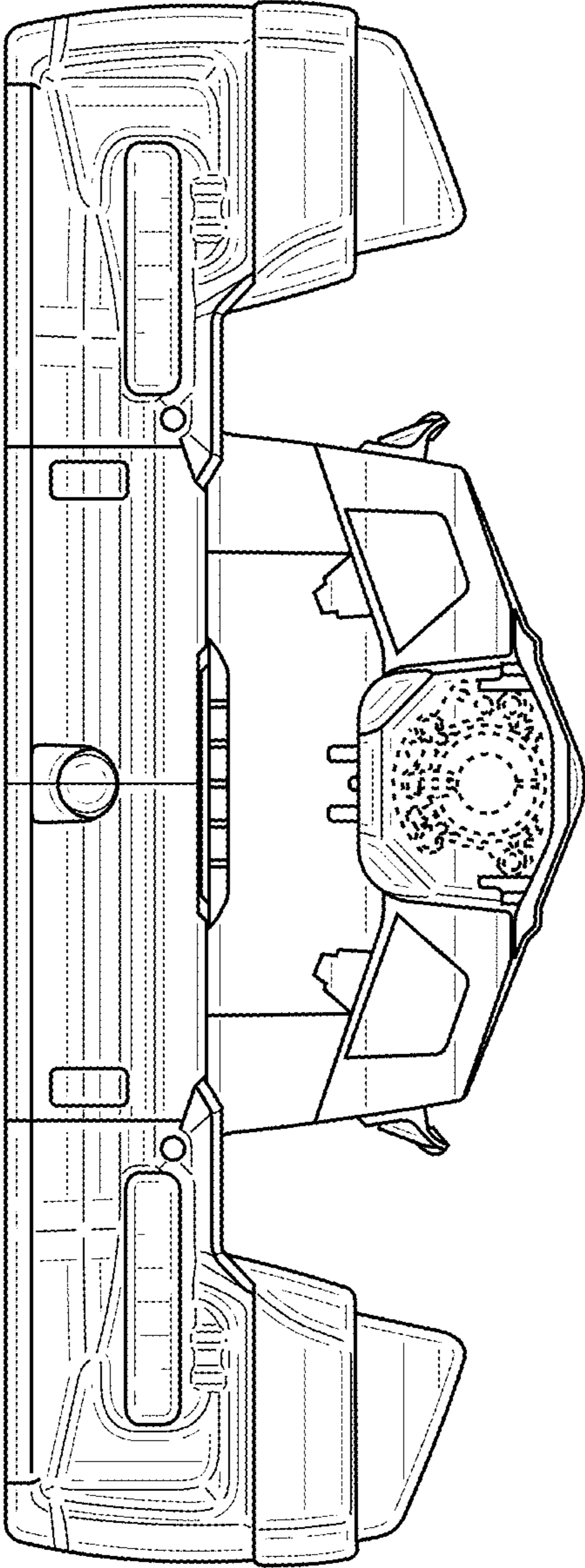


FIG. 2

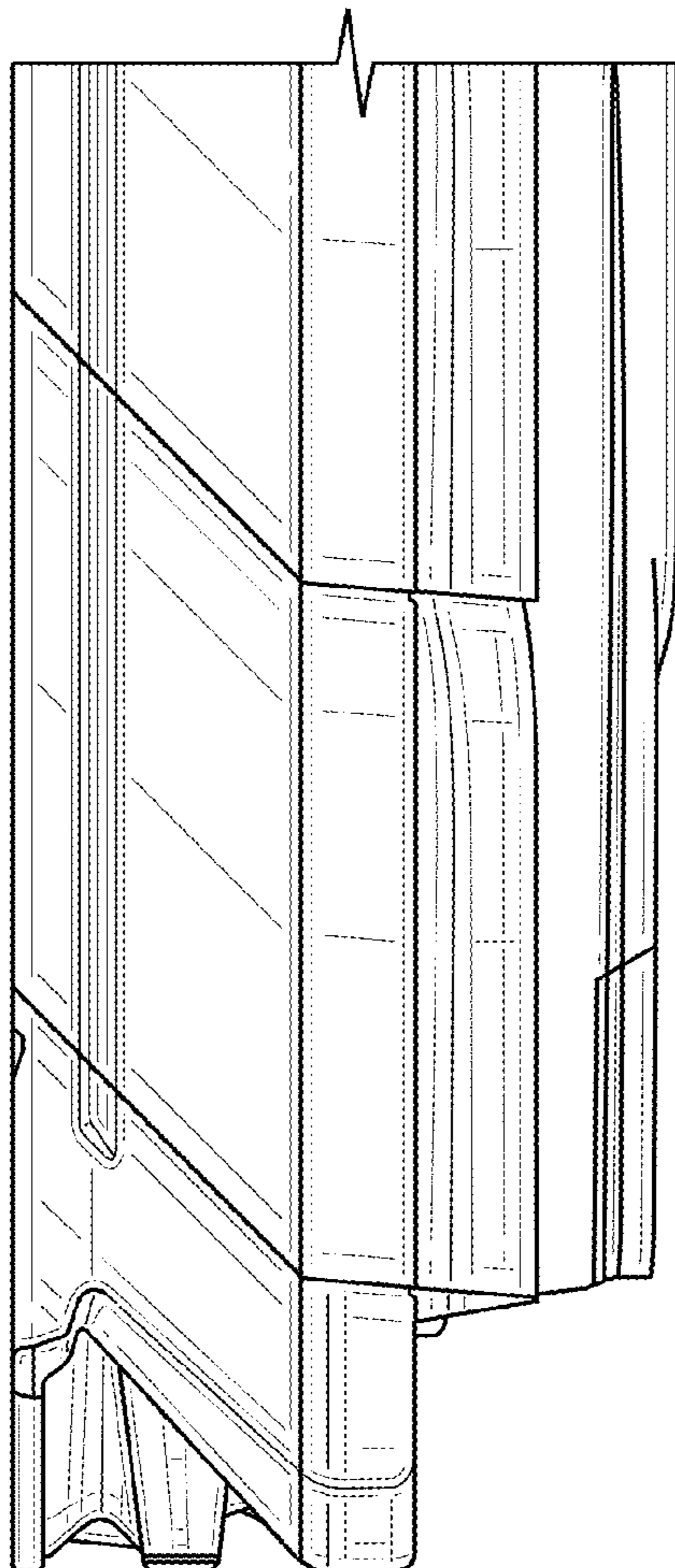
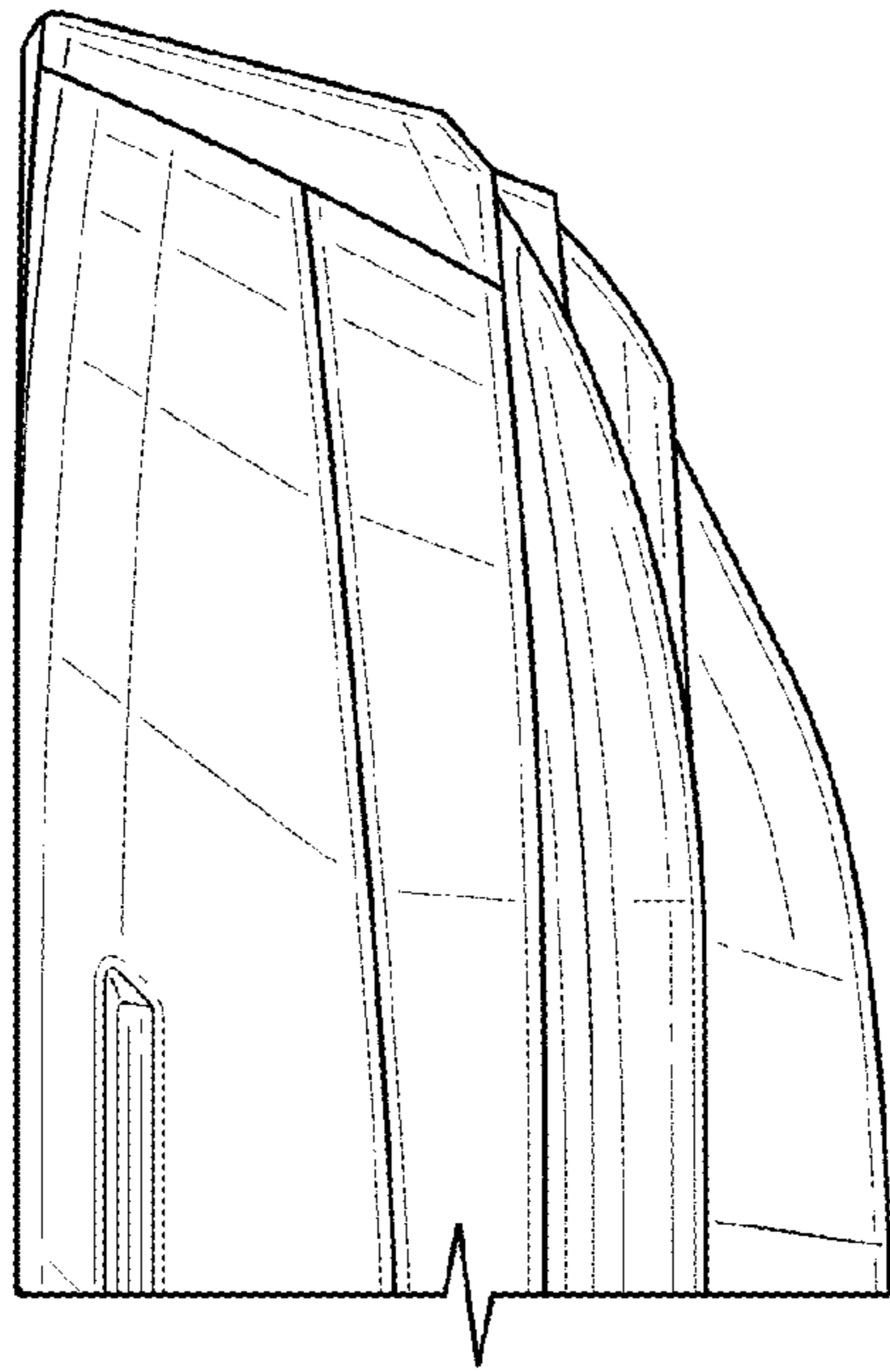


FIG. 3

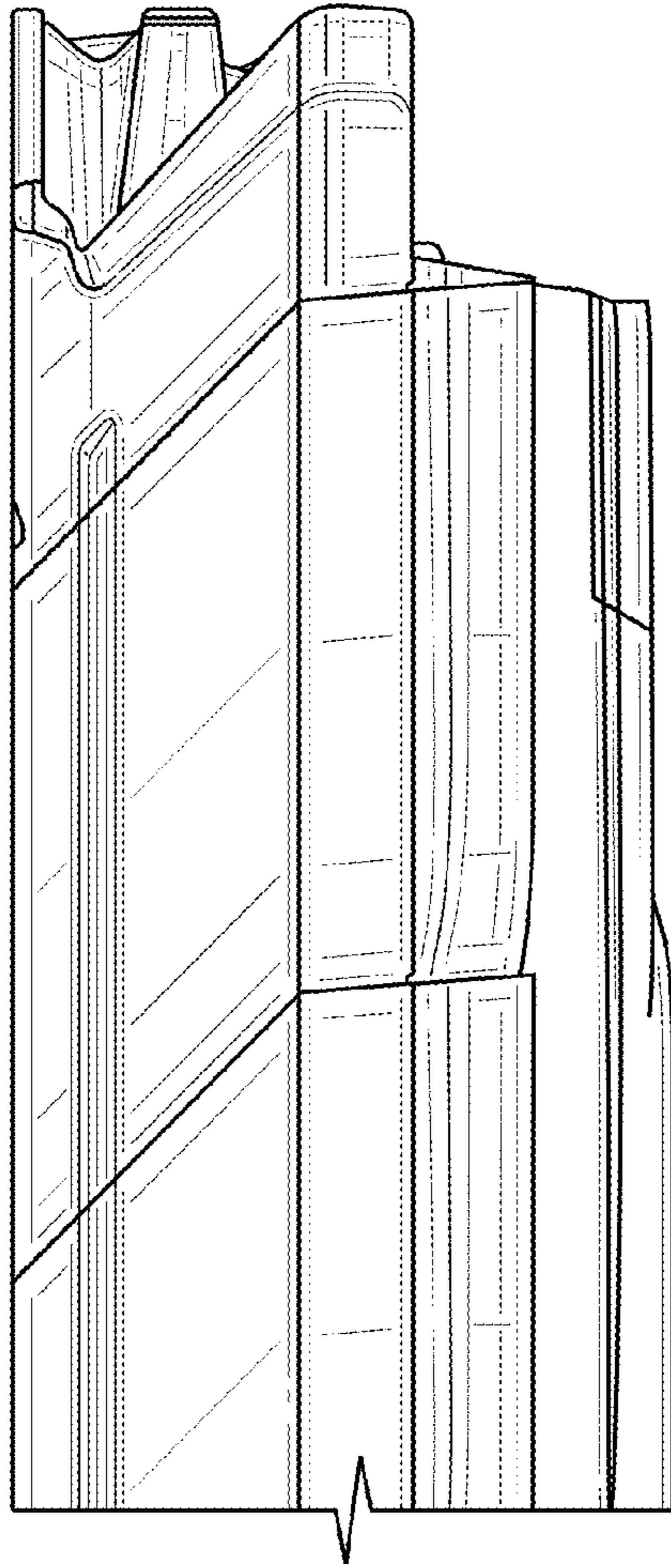
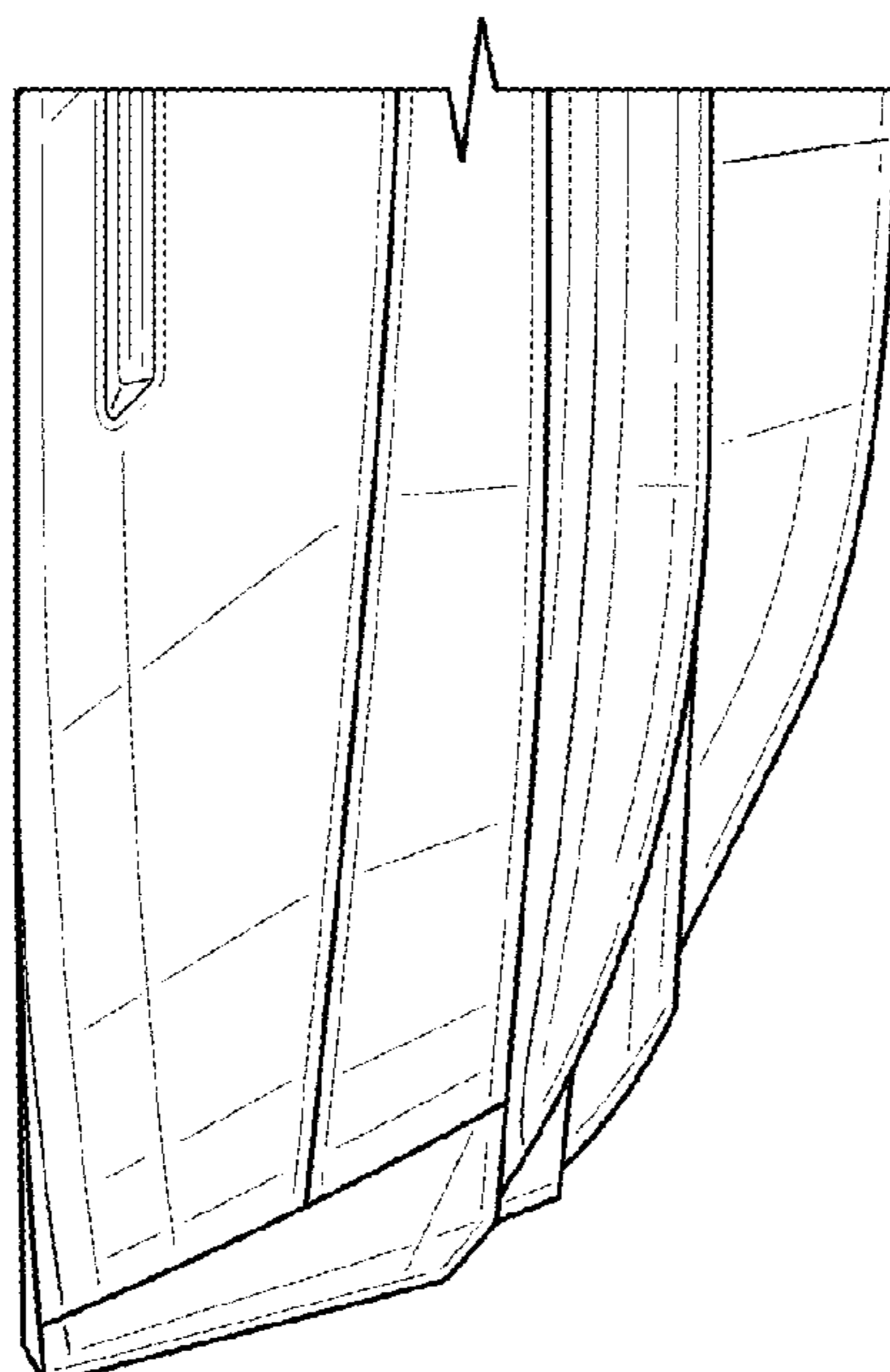


FIG. 4



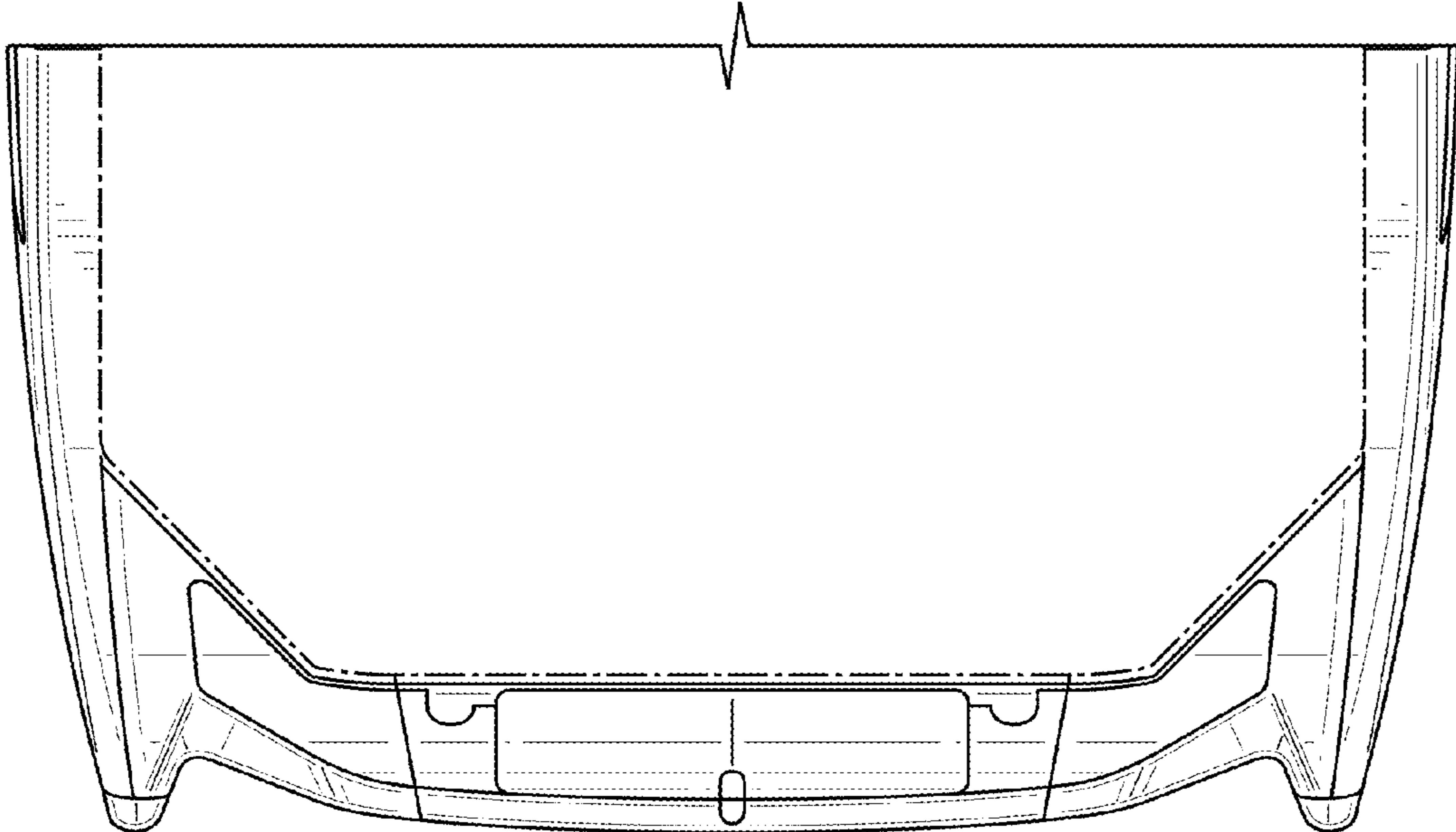
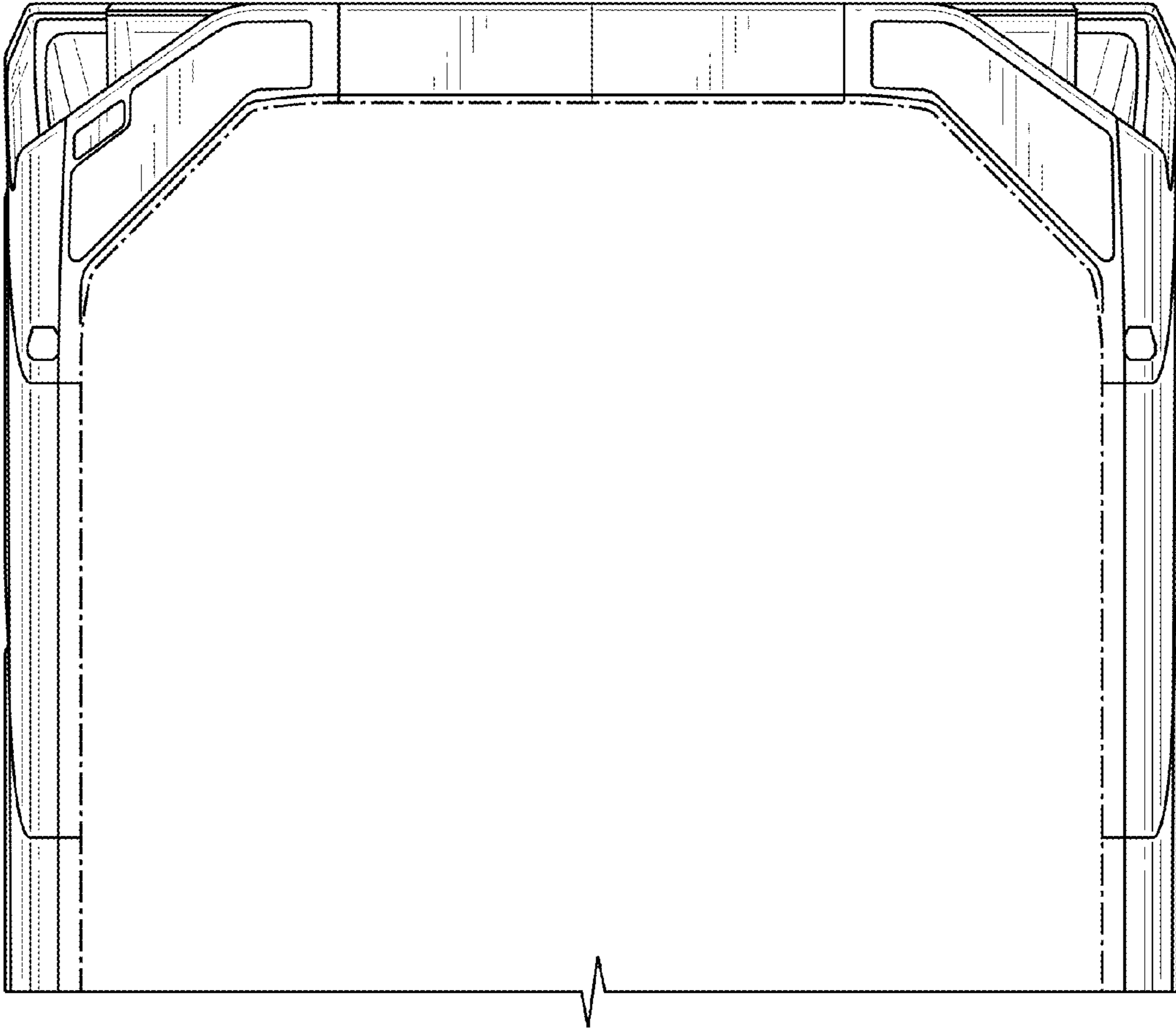


FIG. 5

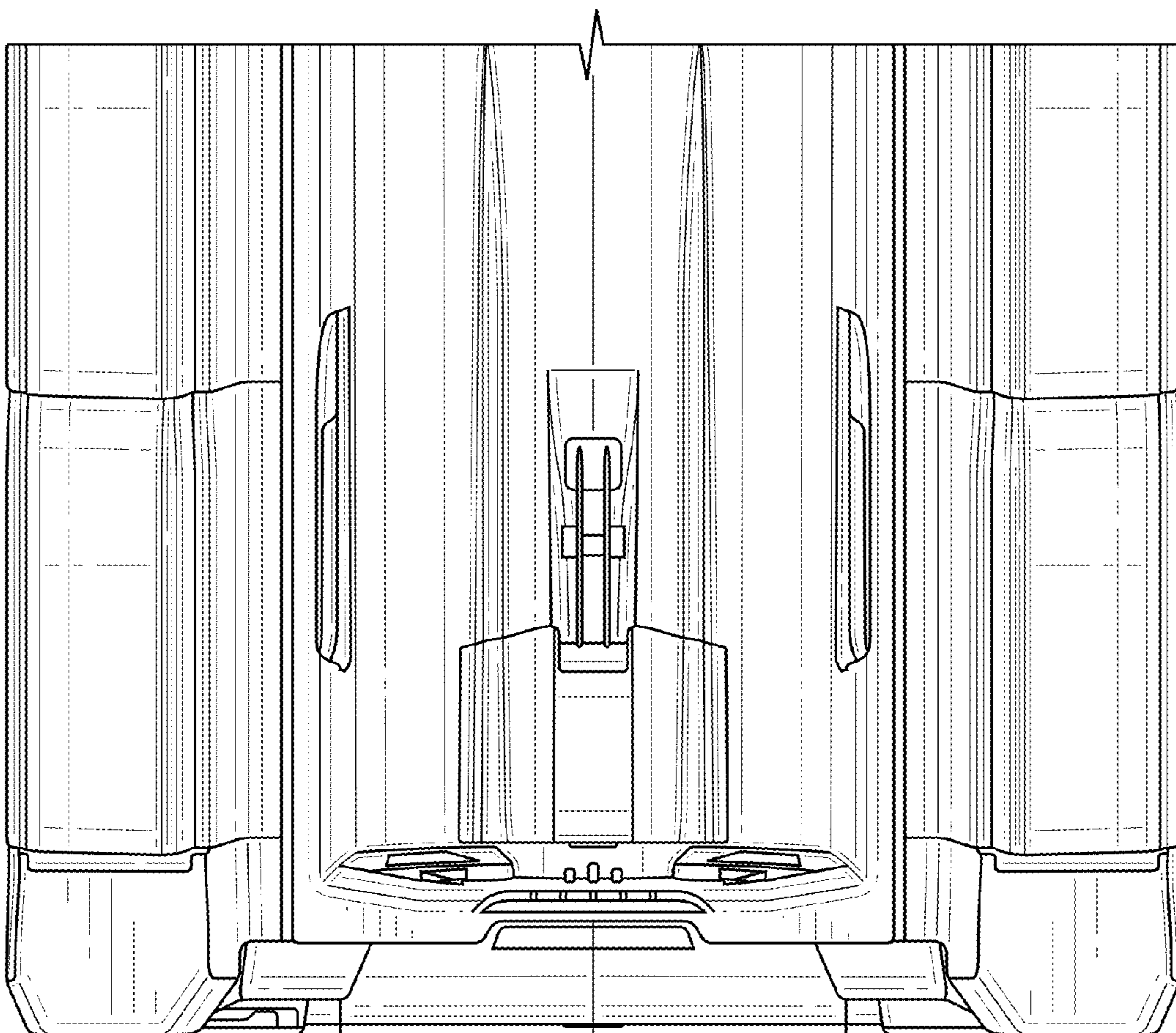
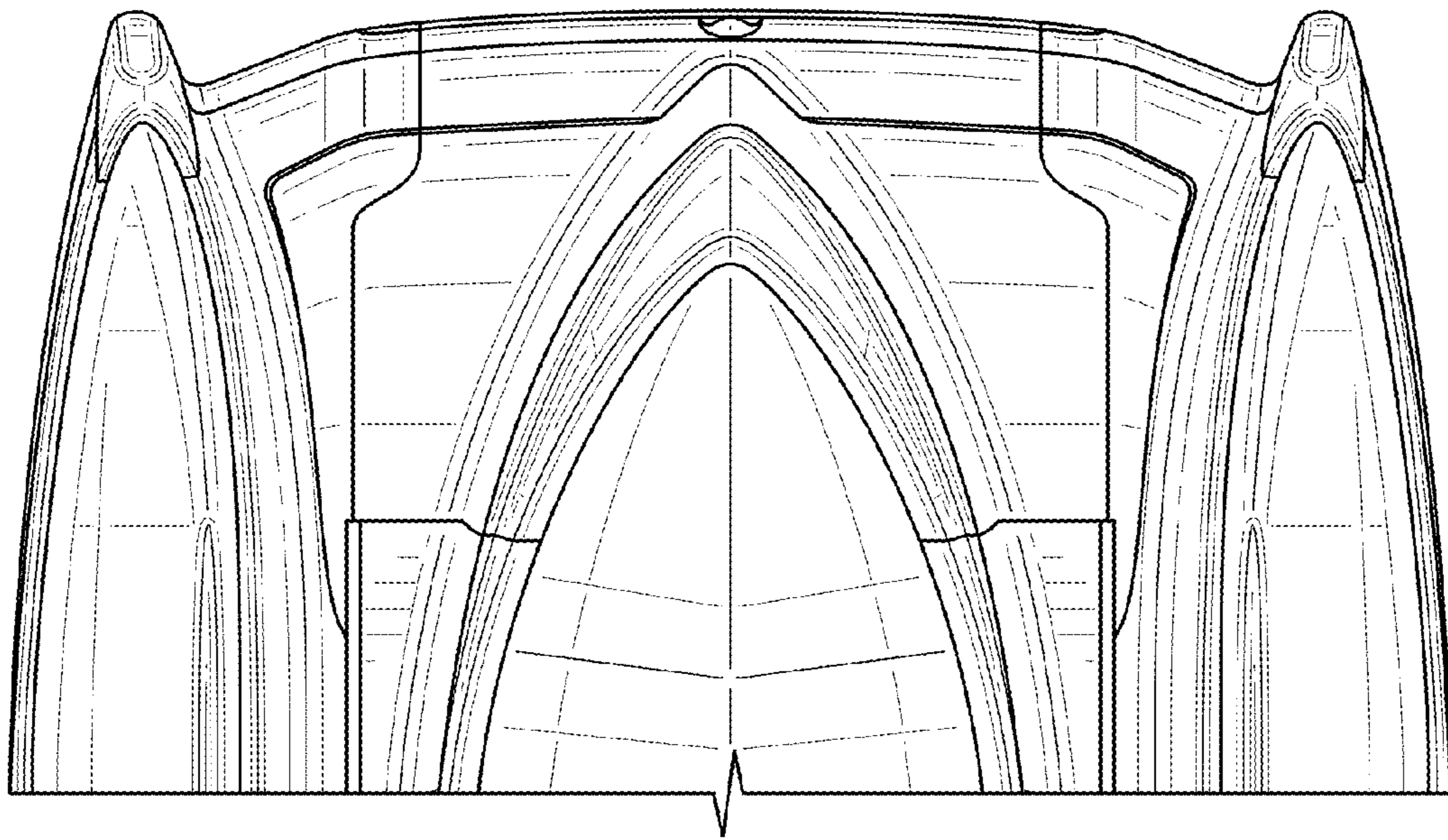


FIG. 6

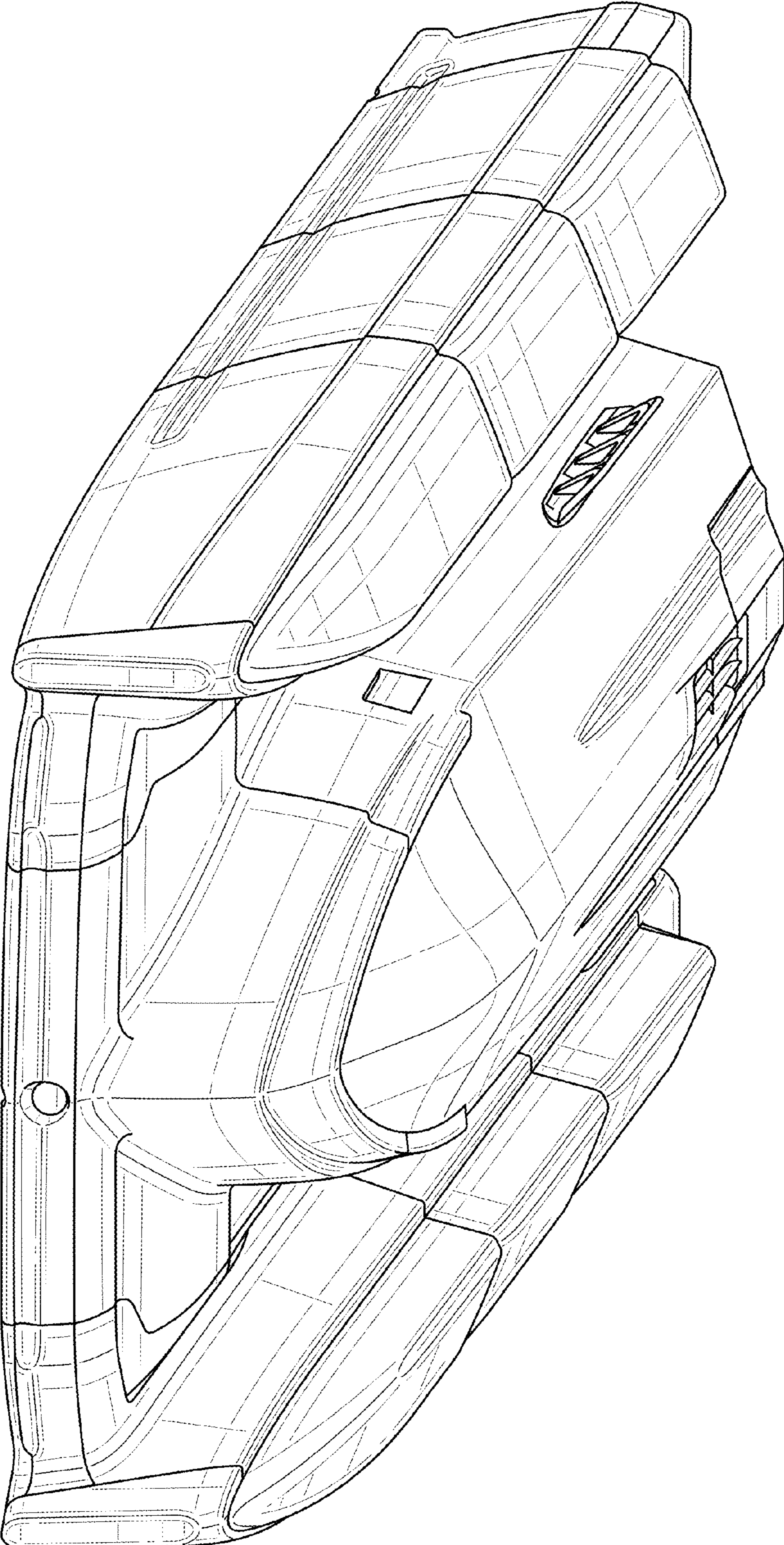


FIG. 7

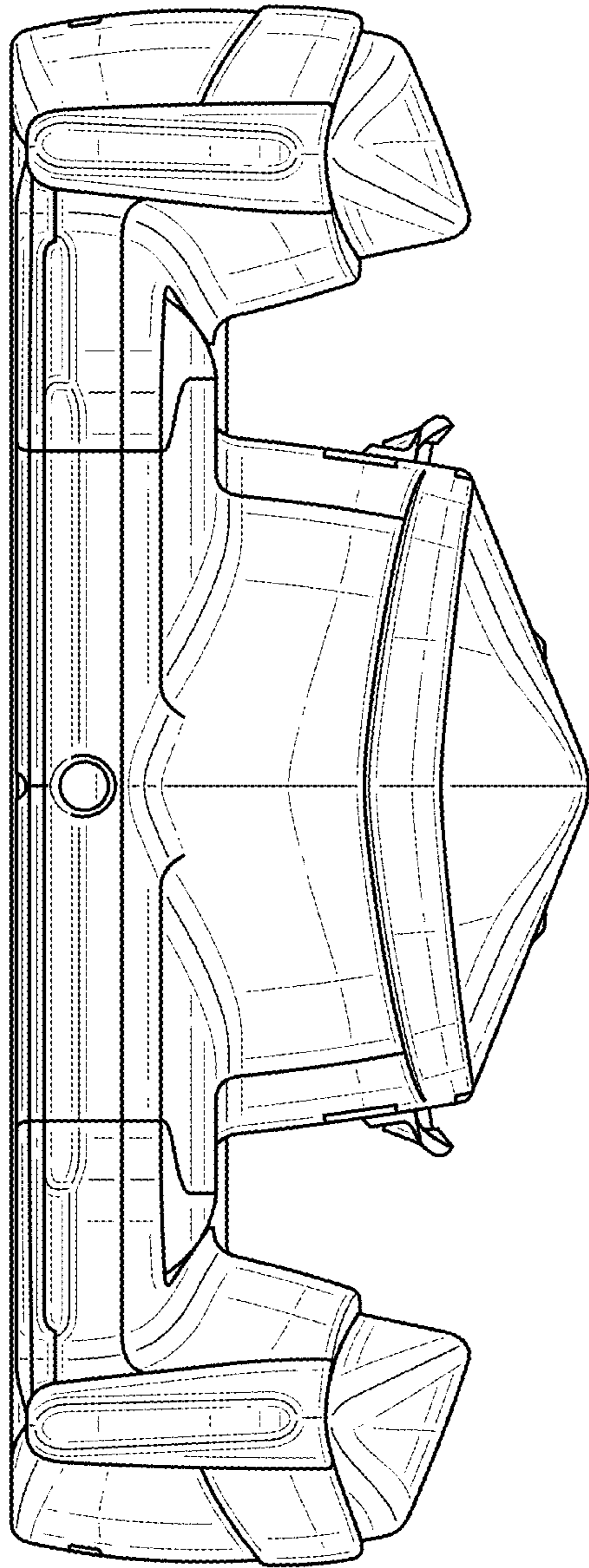


FIG. 8

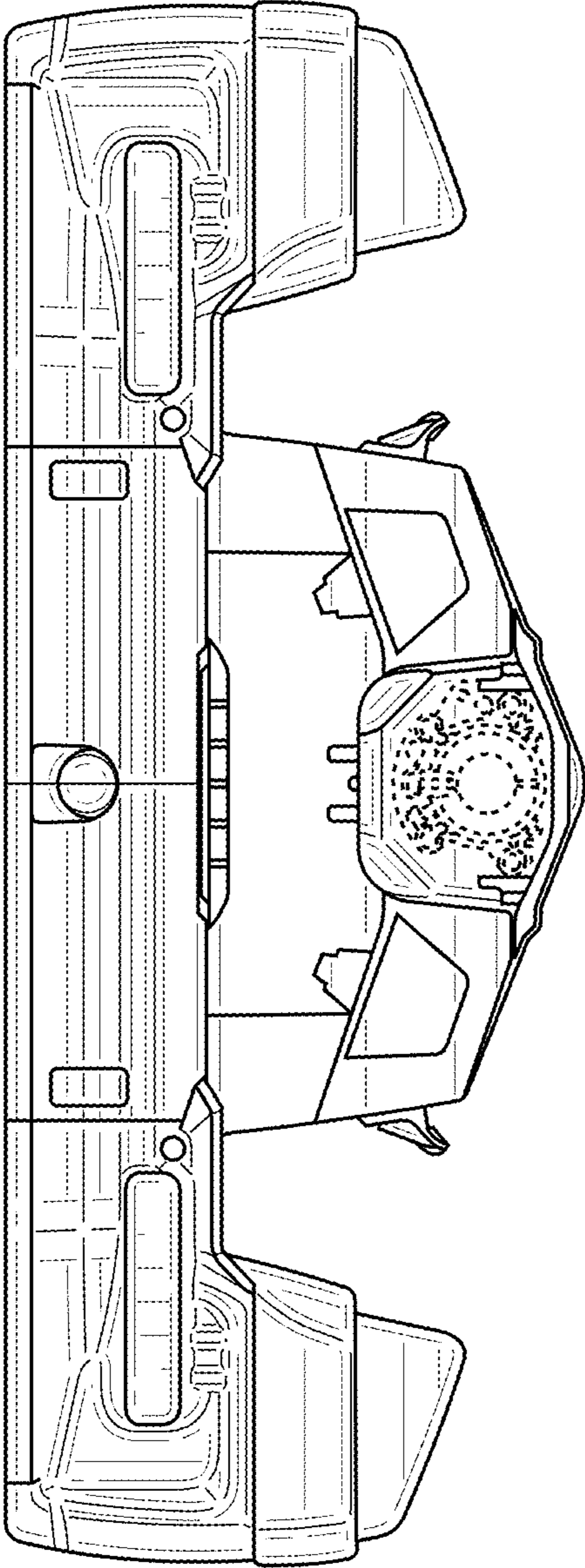


FIG. 9

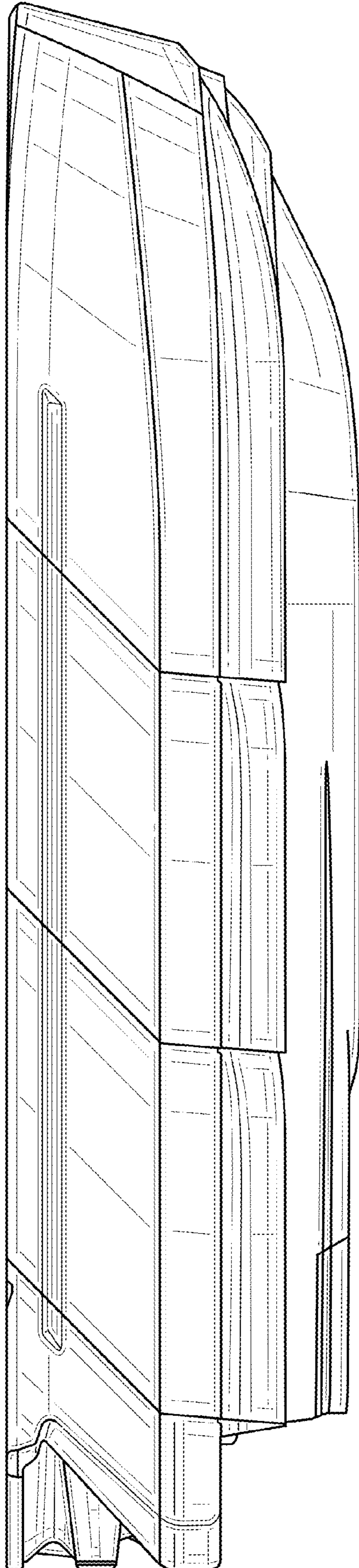


FIG. 10

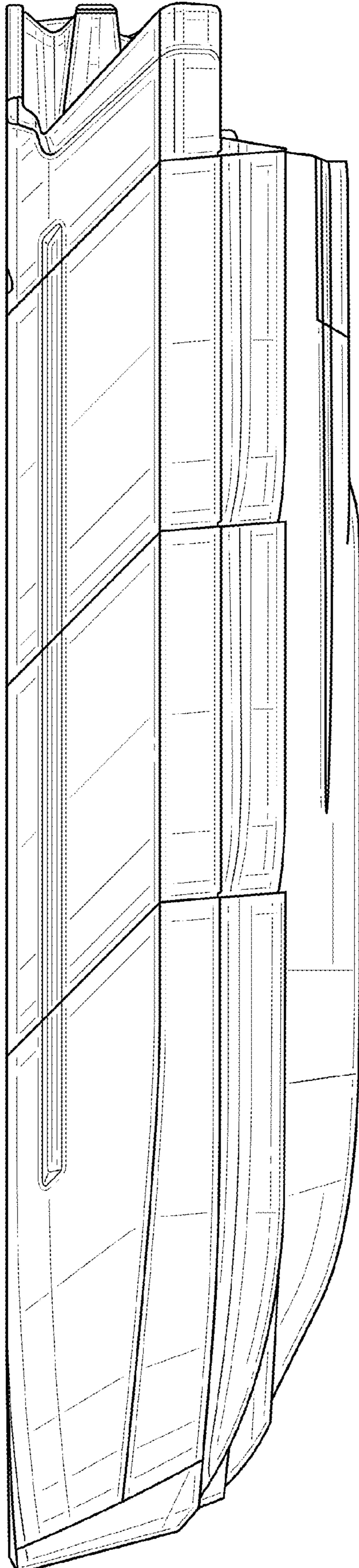


FIG. 11

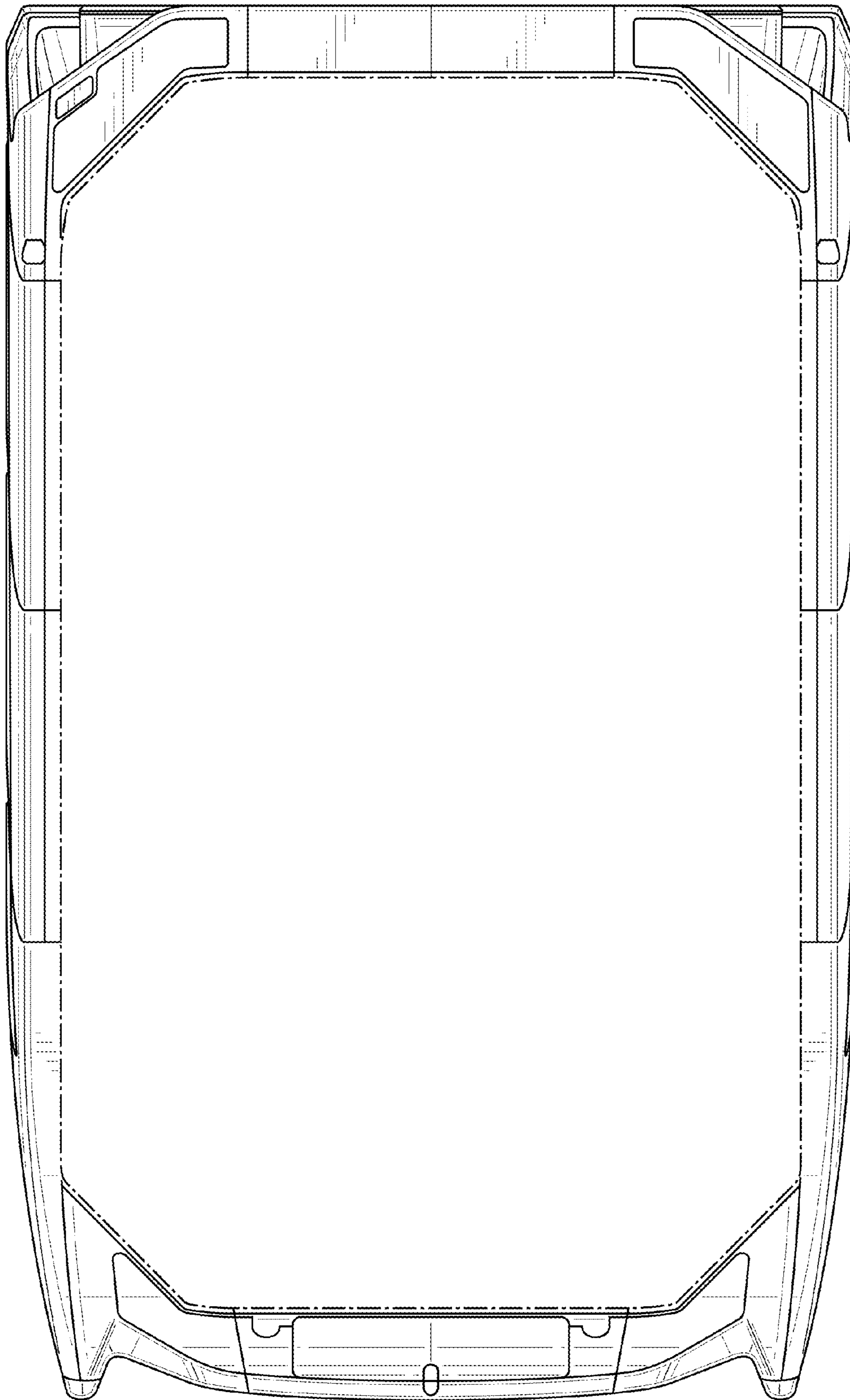


FIG. 12

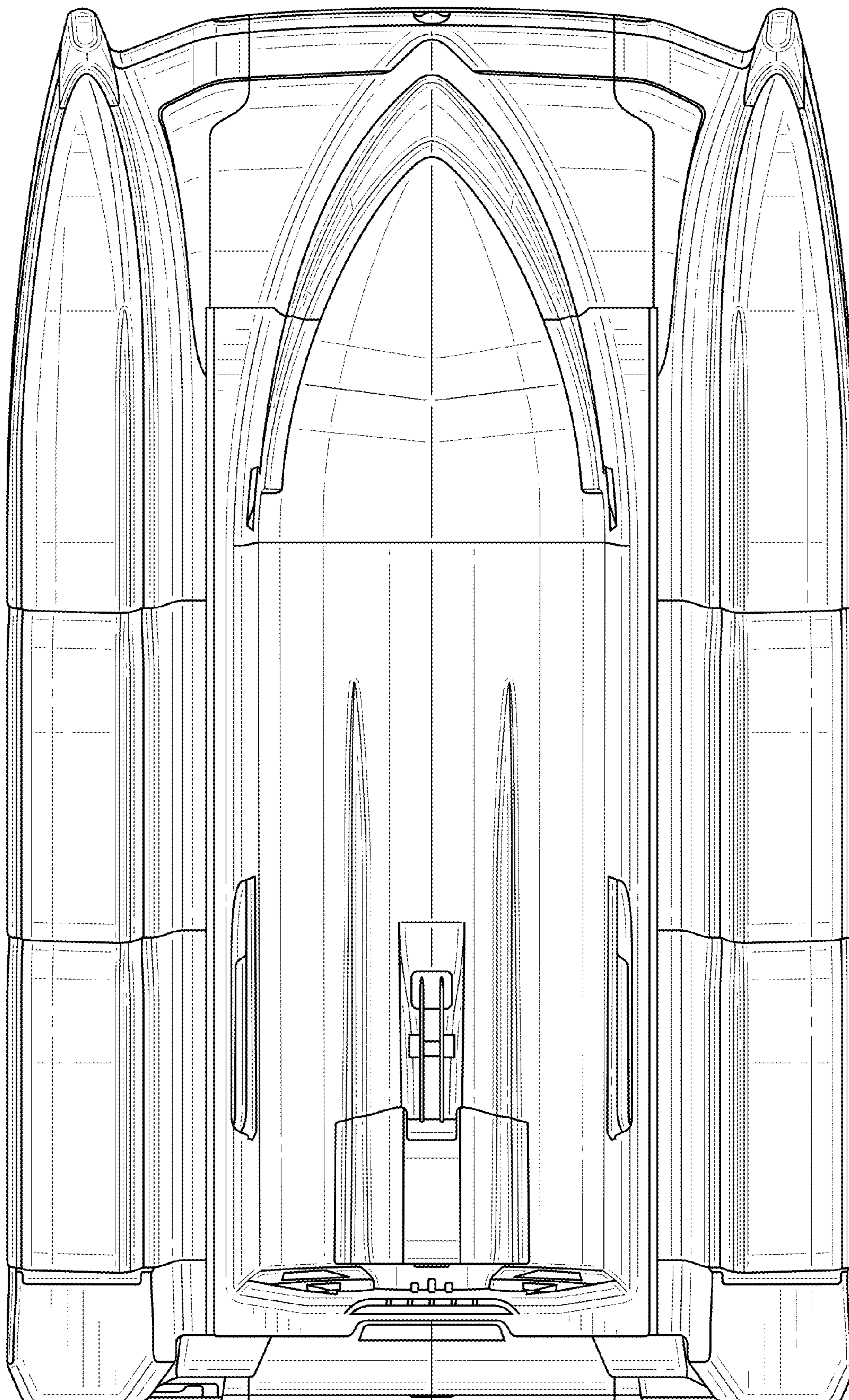


FIG. 13

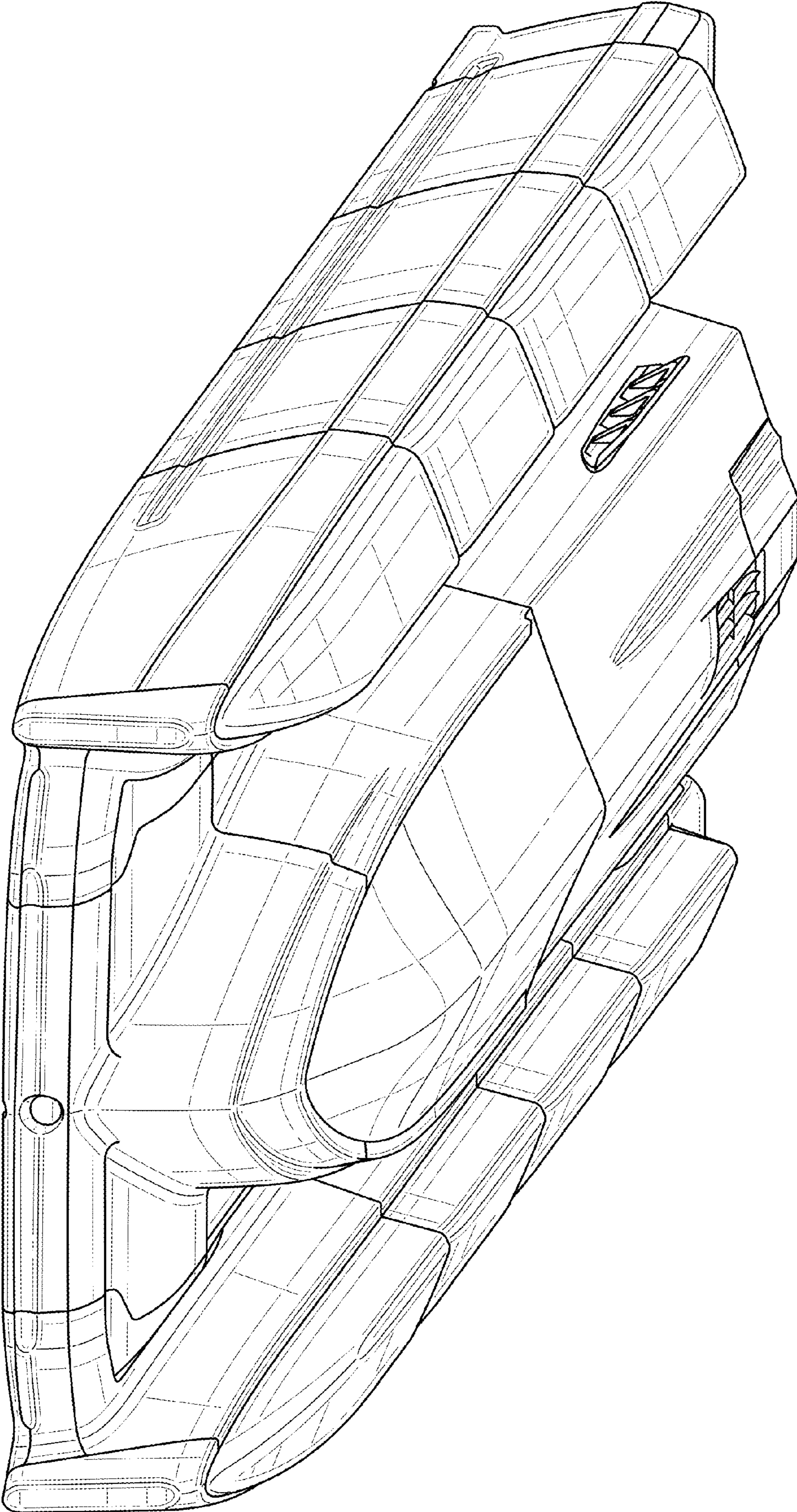


FIG. 14

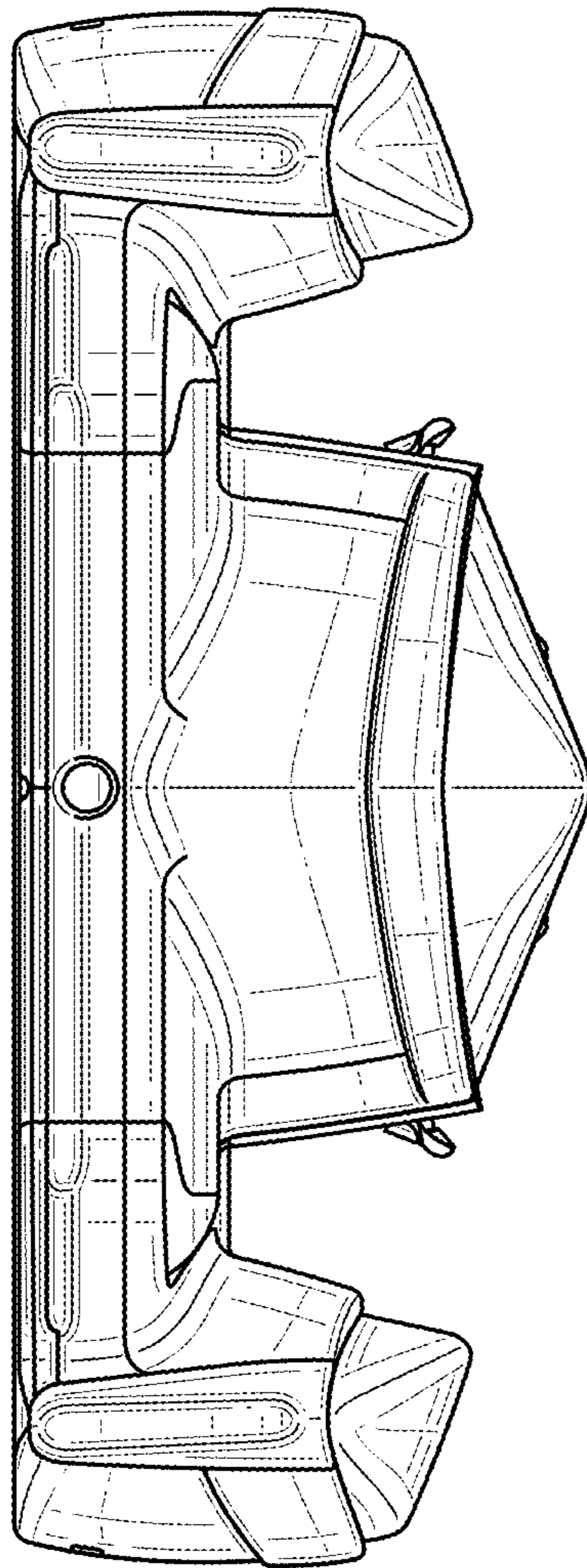


FIG. 15

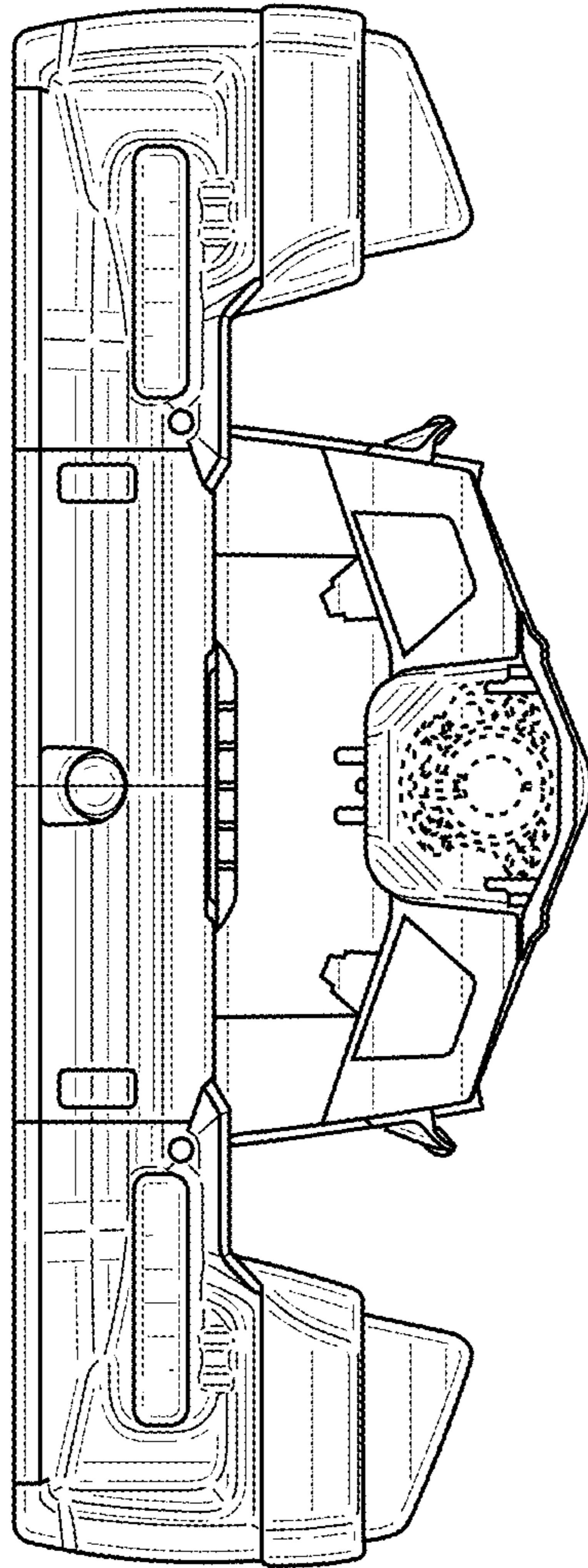


FIG. 16

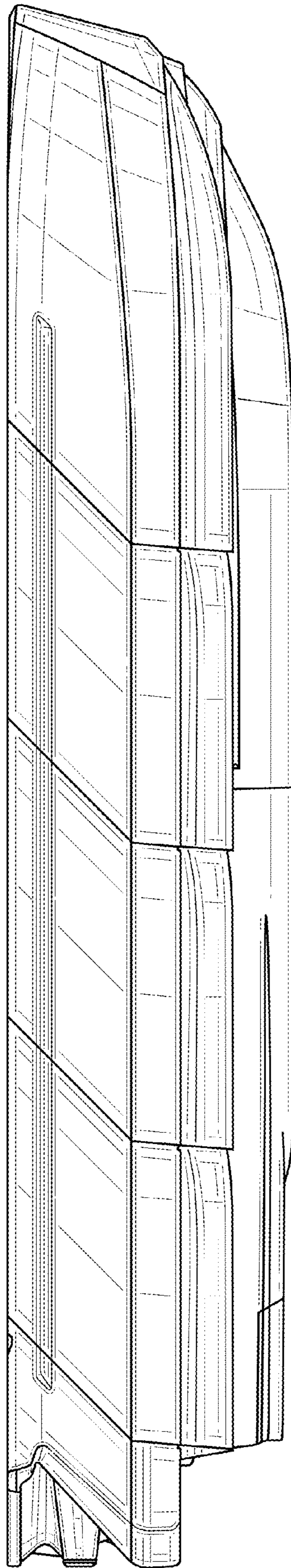


FIG. 17

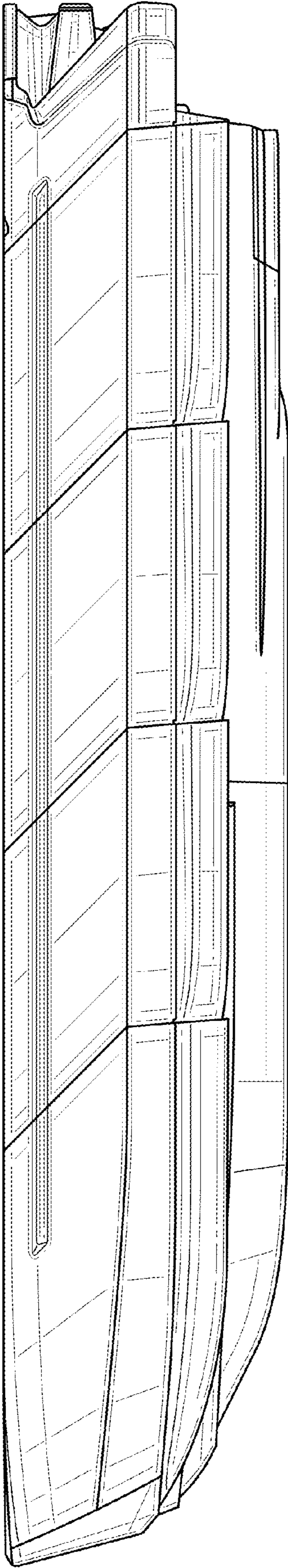


FIG. 18

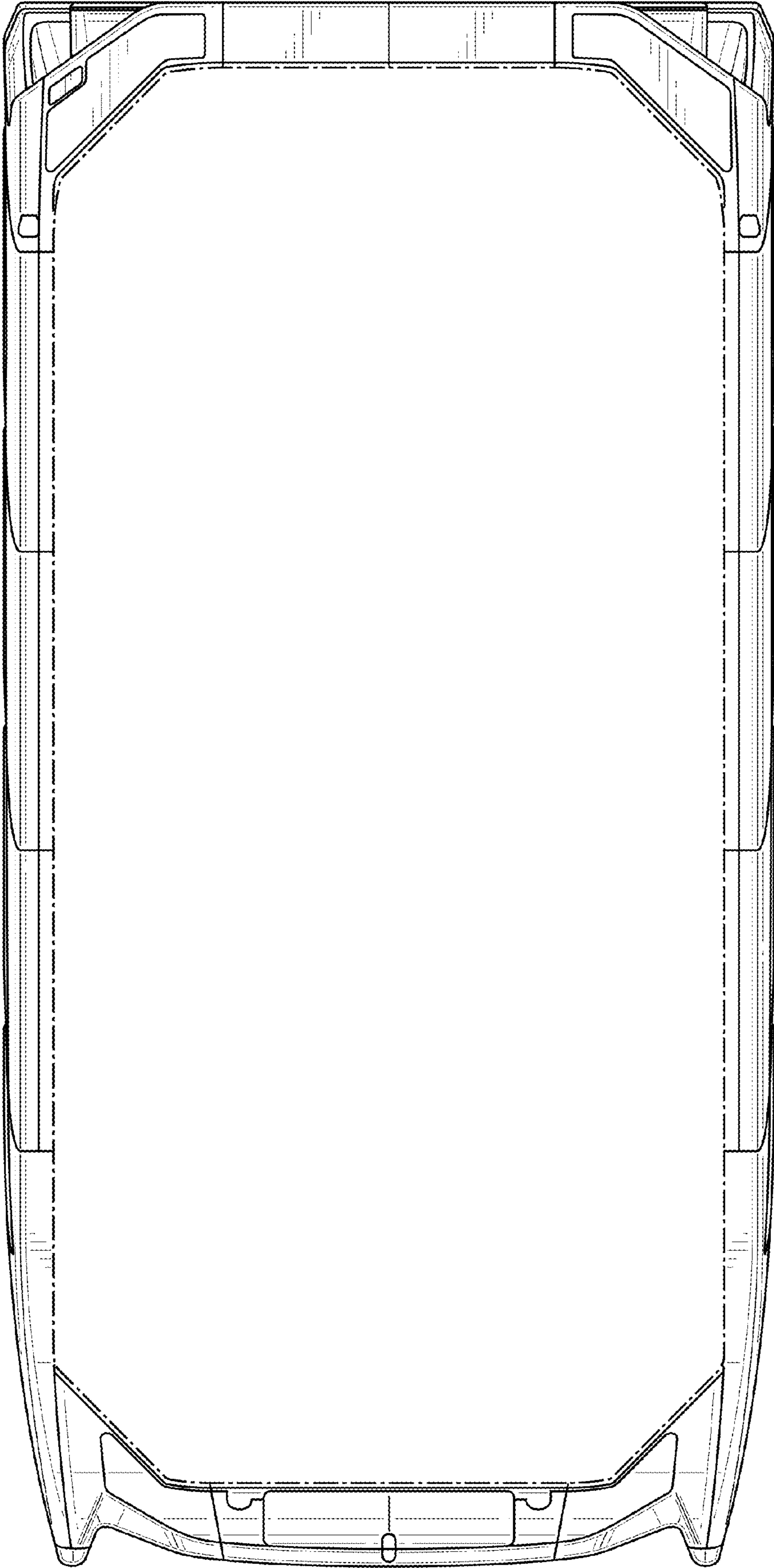


FIG. 19

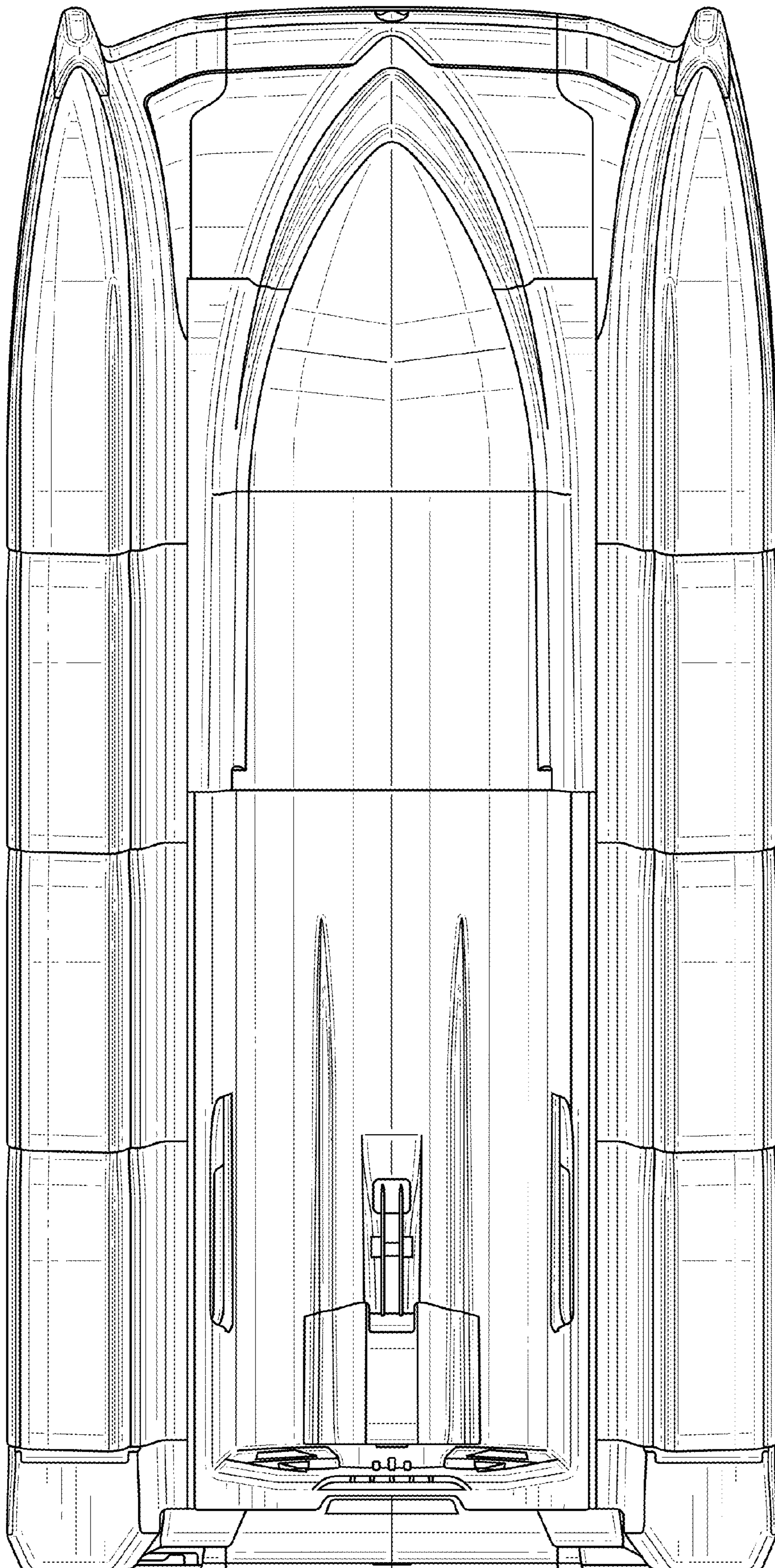


FIG. 20

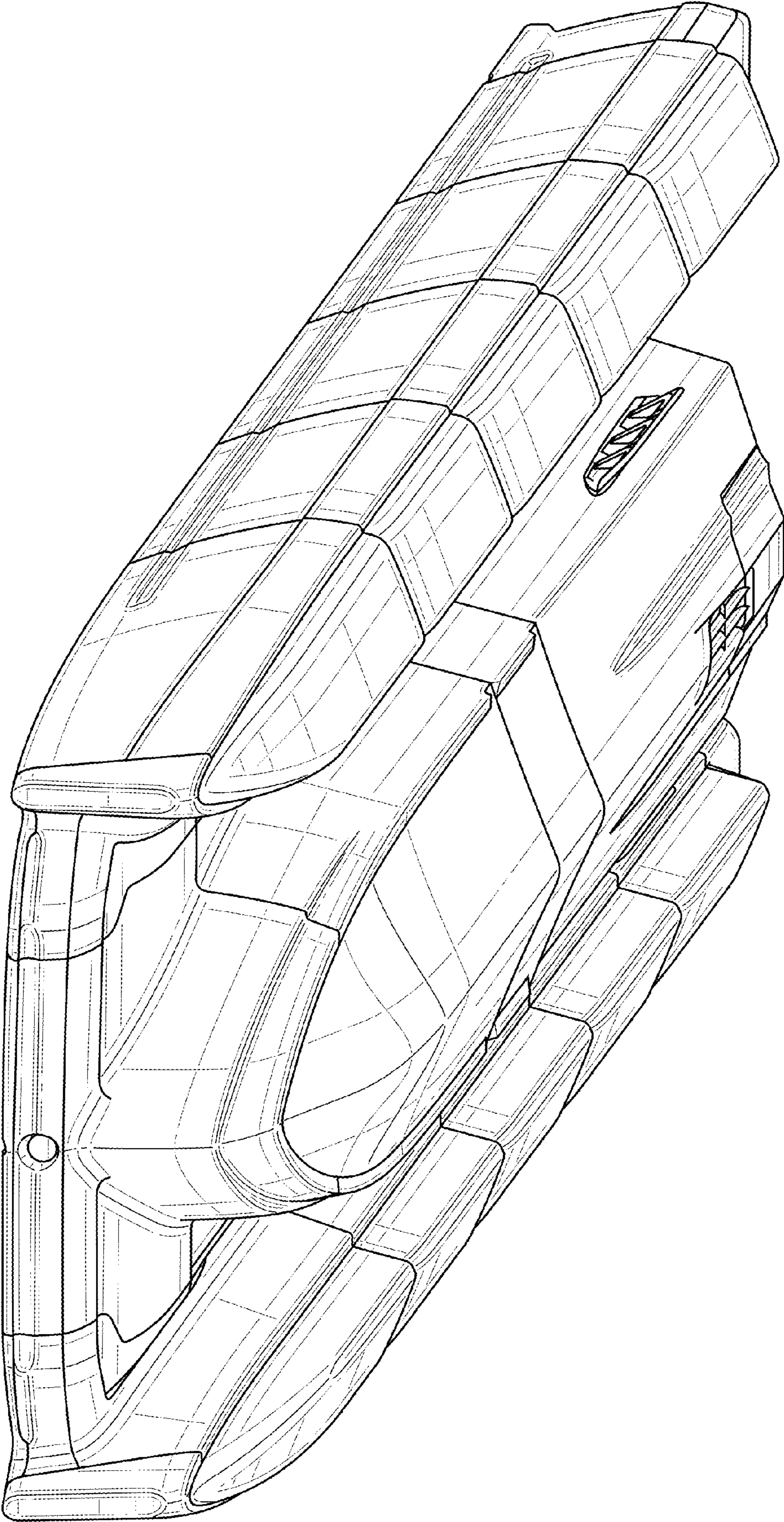


FIG. 21

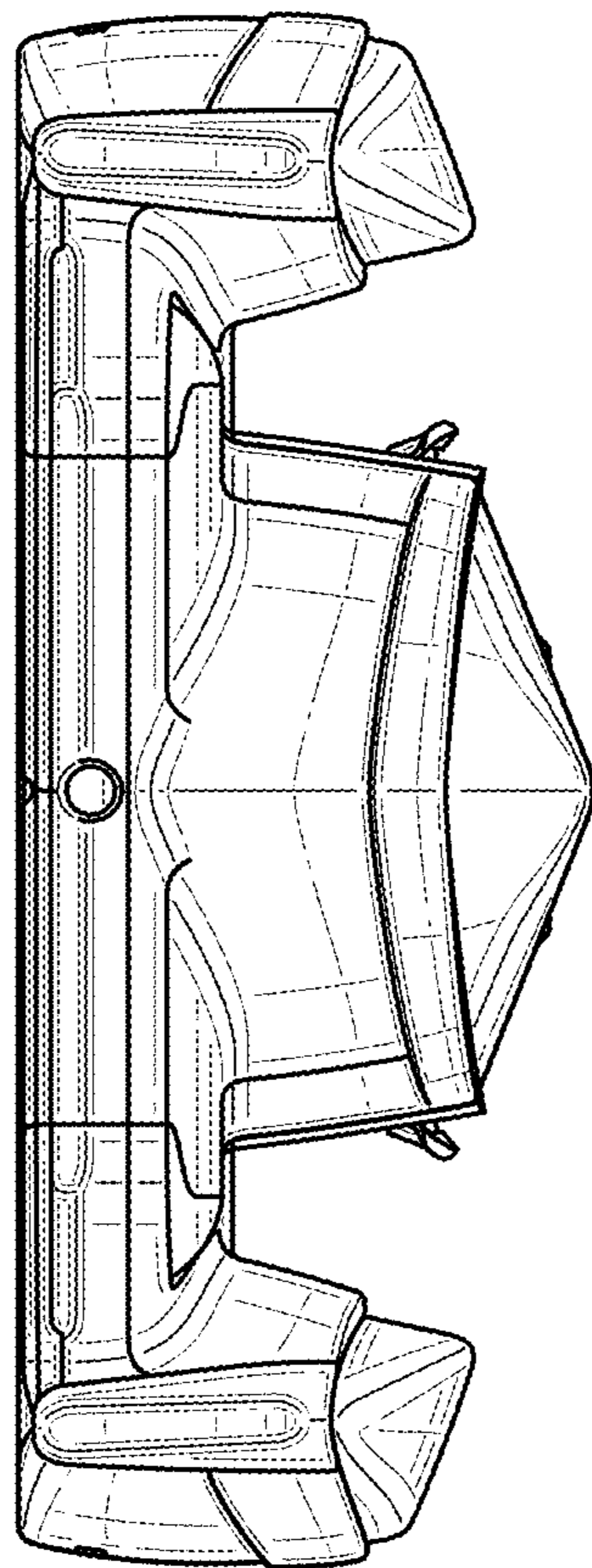


FIG. 22

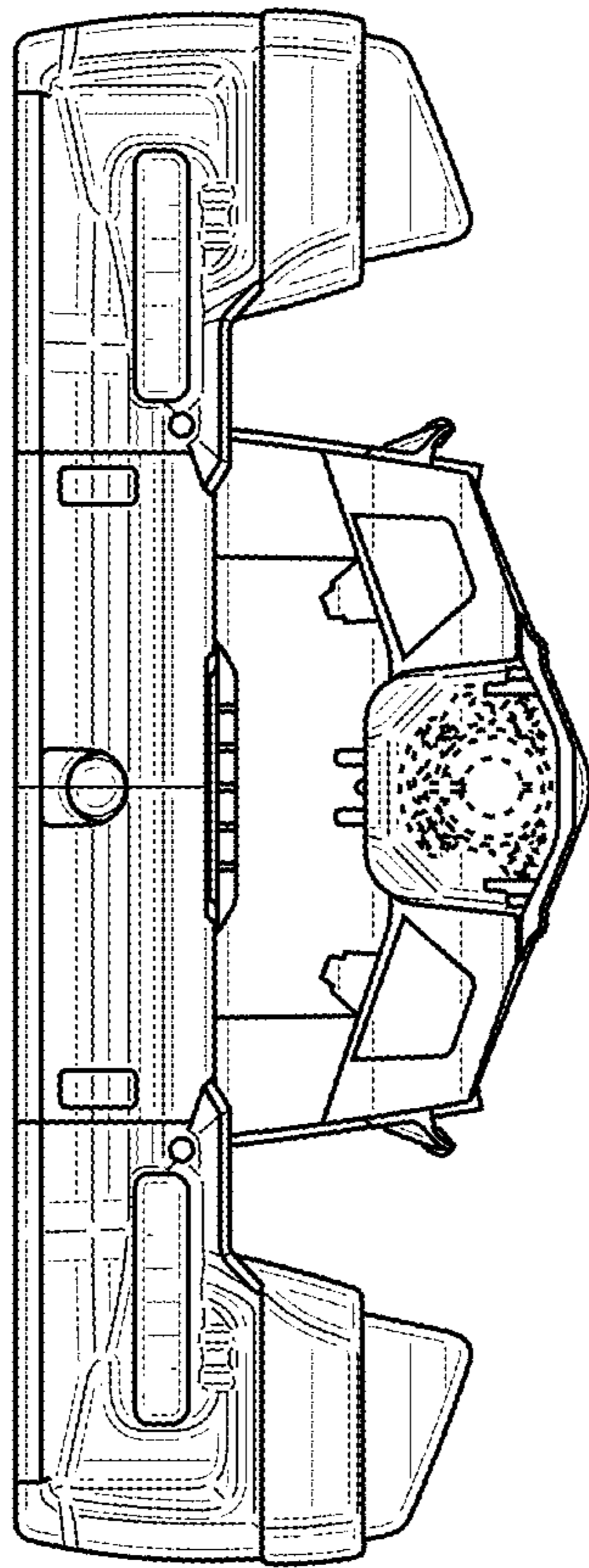


FIG. 23

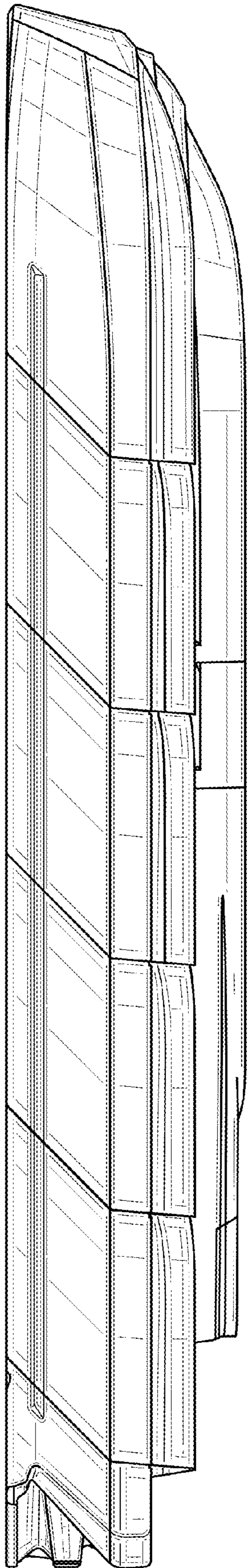


FIG. 24

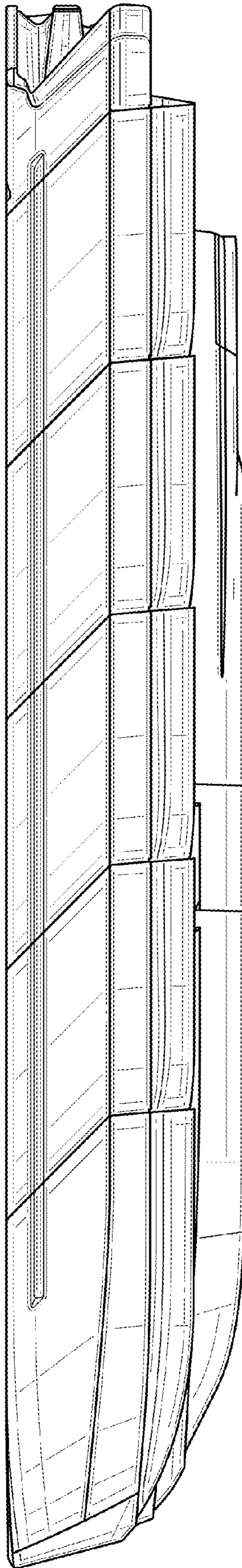


FIG. 25

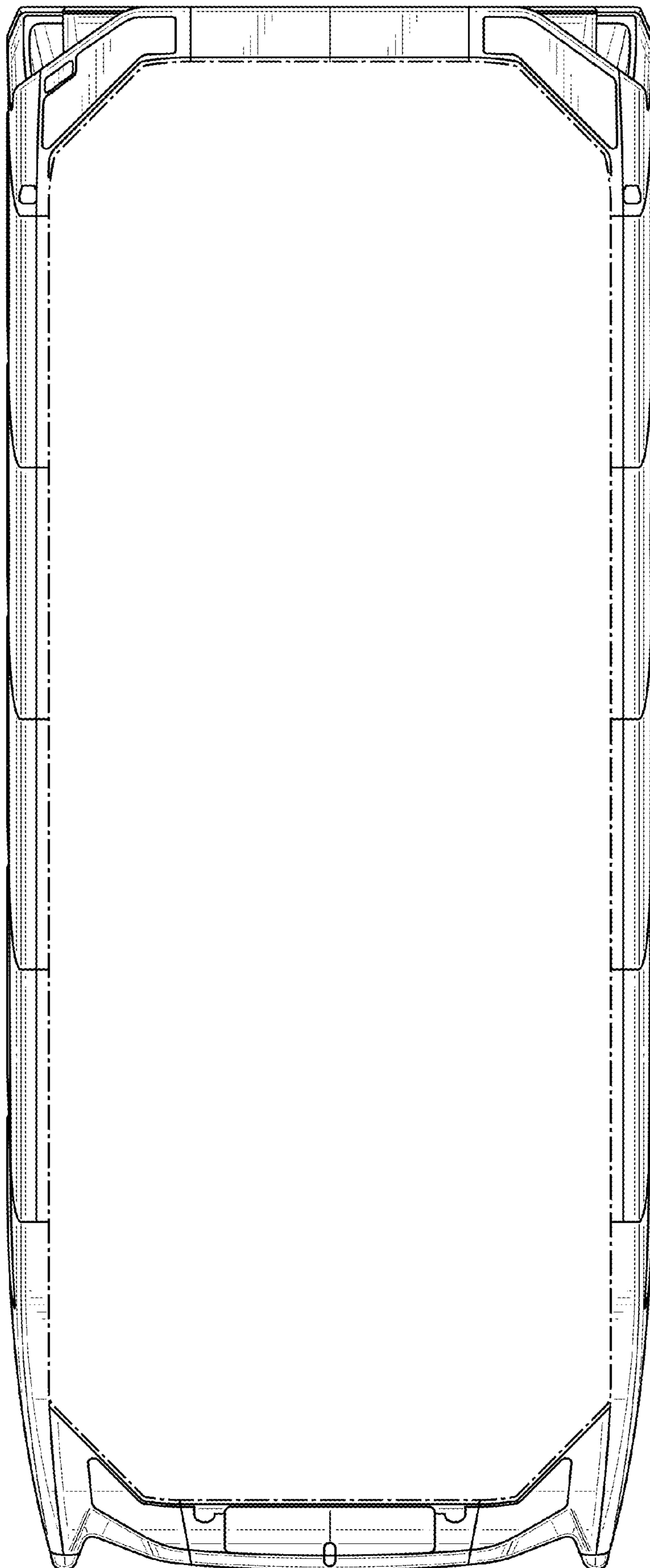


FIG. 26

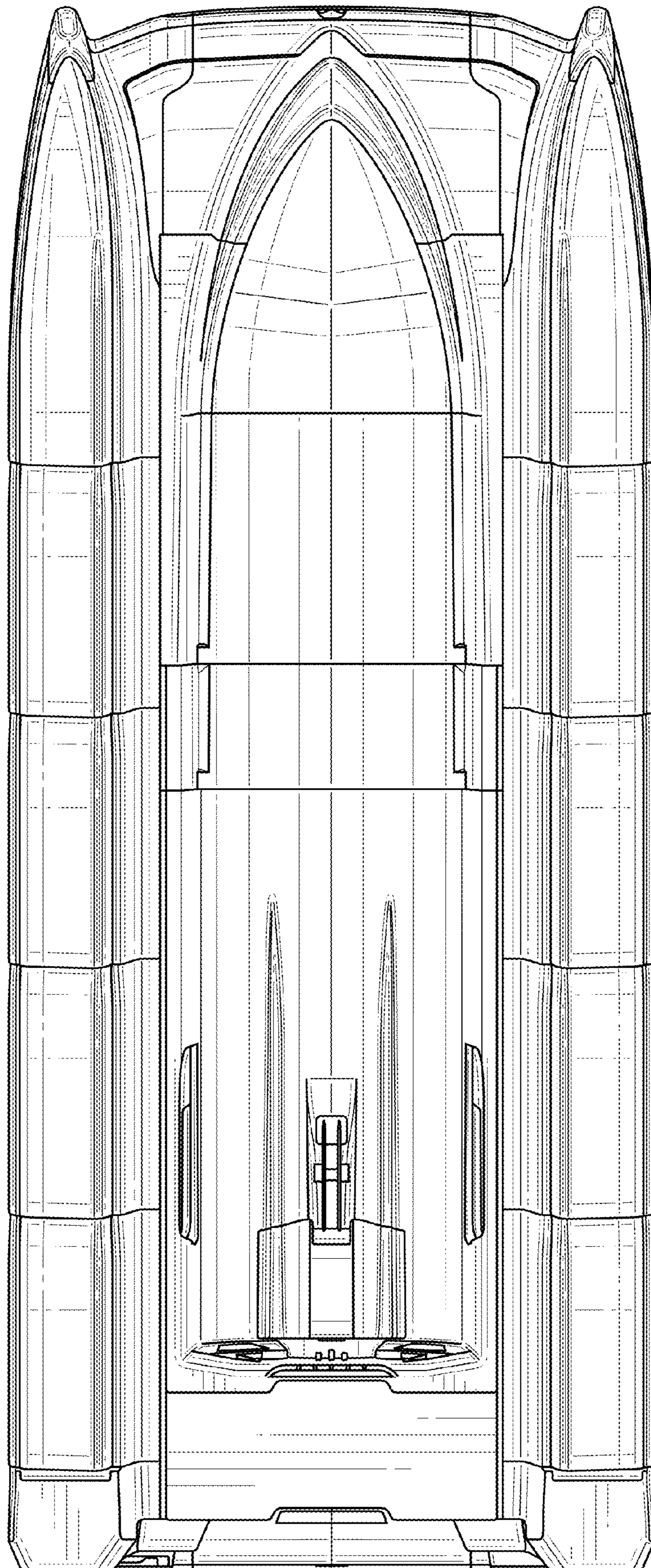


FIG. 27