



US00D981321S

(12) **United States Design Patent**
Qin et al.

(10) **Patent No.:** **US D981,321 S**
(45) **Date of Patent:** **** Mar. 21, 2023**

(54) **UNDERWATER PROPELLER**

FOREIGN PATENT DOCUMENTS

(71) Applicant: **Manaslu Technology (Shanghai) Co., Ltd.**, Shanghai (CN)

CN 202130254937.2 * 8/2021
HK 0800225.5M001 * 2/2008

(72) Inventors: **Guangying Qin**, Shanghai (CN);
Xiaoling Tang, Shanghai (CN)

OTHER PUBLICATIONS

(73) Assignee: **Manaslu Technology (Shanghai) Co., Ltd.**, Shanghai (CN)

Amazon.com, Yamaha 275L Sea Scooter Dive, published Feb. 2, 2016 [retrieved Dec. 7, 2022]. Retrieved from the internet<https://www.amazon.com/Yamaha-275L-Scooter-Propulsion-Underwater/dp/B078WWHZVN> (Year: 2016).*

(**) Term: **15 Years**

Amazon, Subblue White Shark Mix underwater scooter dual Propellers, published May 21, 2020 [retrieved Dec. 7, 2022]. Retrieved from the internet<https://www.amazon.com/dp/B0924K77XL> (Year: 2020).*

(21) Appl. No.: **29/800,008**

(22) Filed: **Jul. 19, 2021**

* cited by examiner

(30) **Foreign Application Priority Data**

Apr. 29, 2021 (CN) 202130254937.2

Primary Examiner — Joseph Kukella
Assistant Examiner — Lavon M. Amerson

(51) **LOC (14) Cl.** **15-01**

(57) **CLAIM**

(52) **U.S. Cl.**

The ornamental design for an underwater propeller, as shown and described.

USPC **D12/308**

(58) **Field of Classification Search**

DESCRIPTION

USPC D12/300, 308, 317; D21/424, 545

CPC B63C 11/00; B63C 11/02; B63C 11/36;

B63C 11/46; B63C 11/48; B63C 11/49;

B63C 2011/028; B63G 8/001; B63G

8/00; B63B 1/107; B63B 3/13

See application file for complete search history.

FIG. 1 is a perspective view of an underwater propeller showing our new design;
FIG. 2 is a front view thereof;
FIG. 3 is a back view thereof;
FIG. 4 is a left view thereof;
FIG. 5 is a right view thereof;
FIG. 6 is a top view thereof; and,
FIG. 7 is a bottom view thereof.

(56) **References Cited**

U.S. PATENT DOCUMENTS

D844,534 S * 4/2019 Liu D12/308

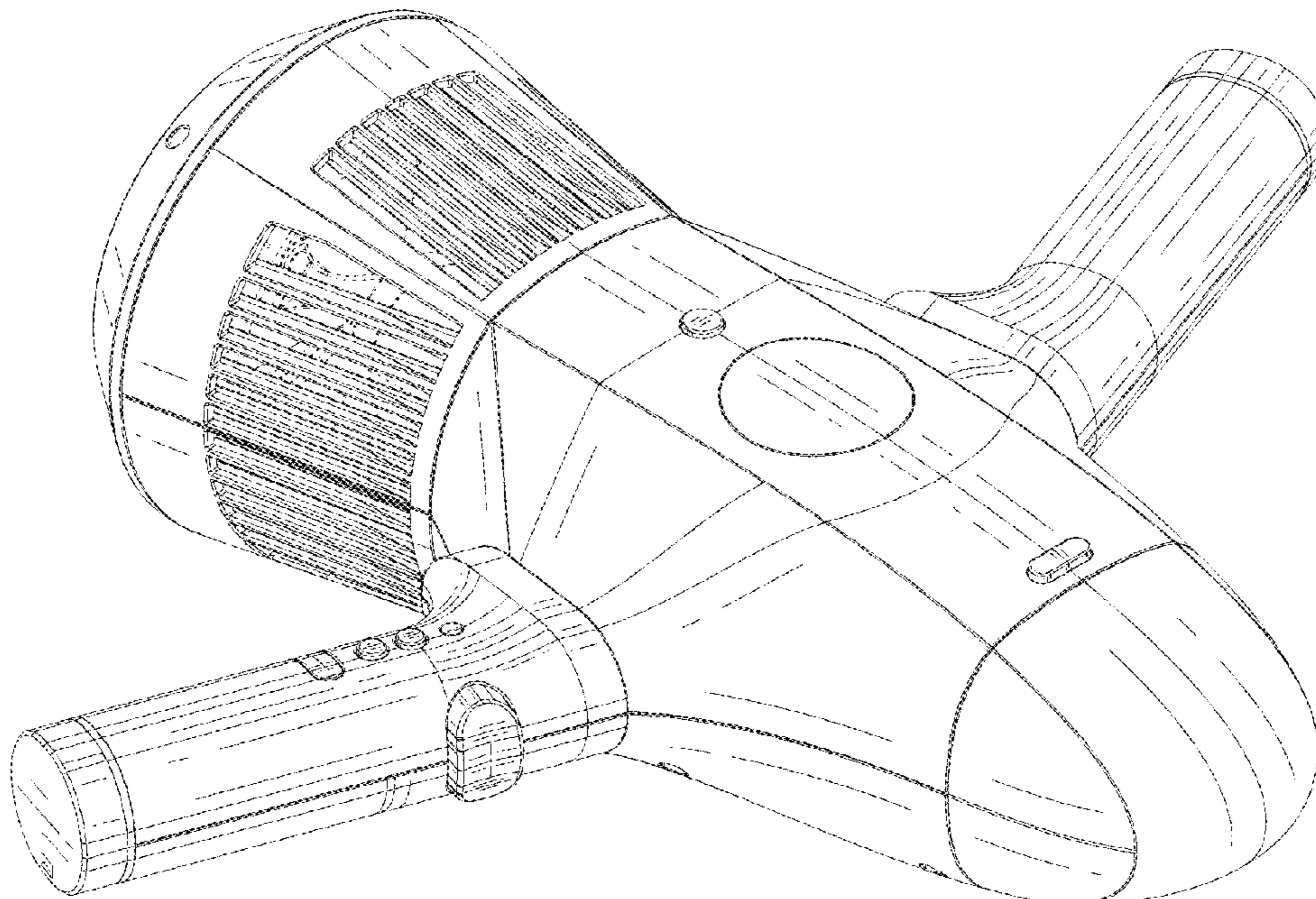
D929,301 S * 8/2021 Lu D12/308

D937,179 S * 11/2021 Guild D12/308

D970,423 S * 11/2022 Wei D12/308

The broken lines shown on the drawings depict portions of the underwater propeller that form no part of the claimed design.

1 Claim, 7 Drawing Sheets



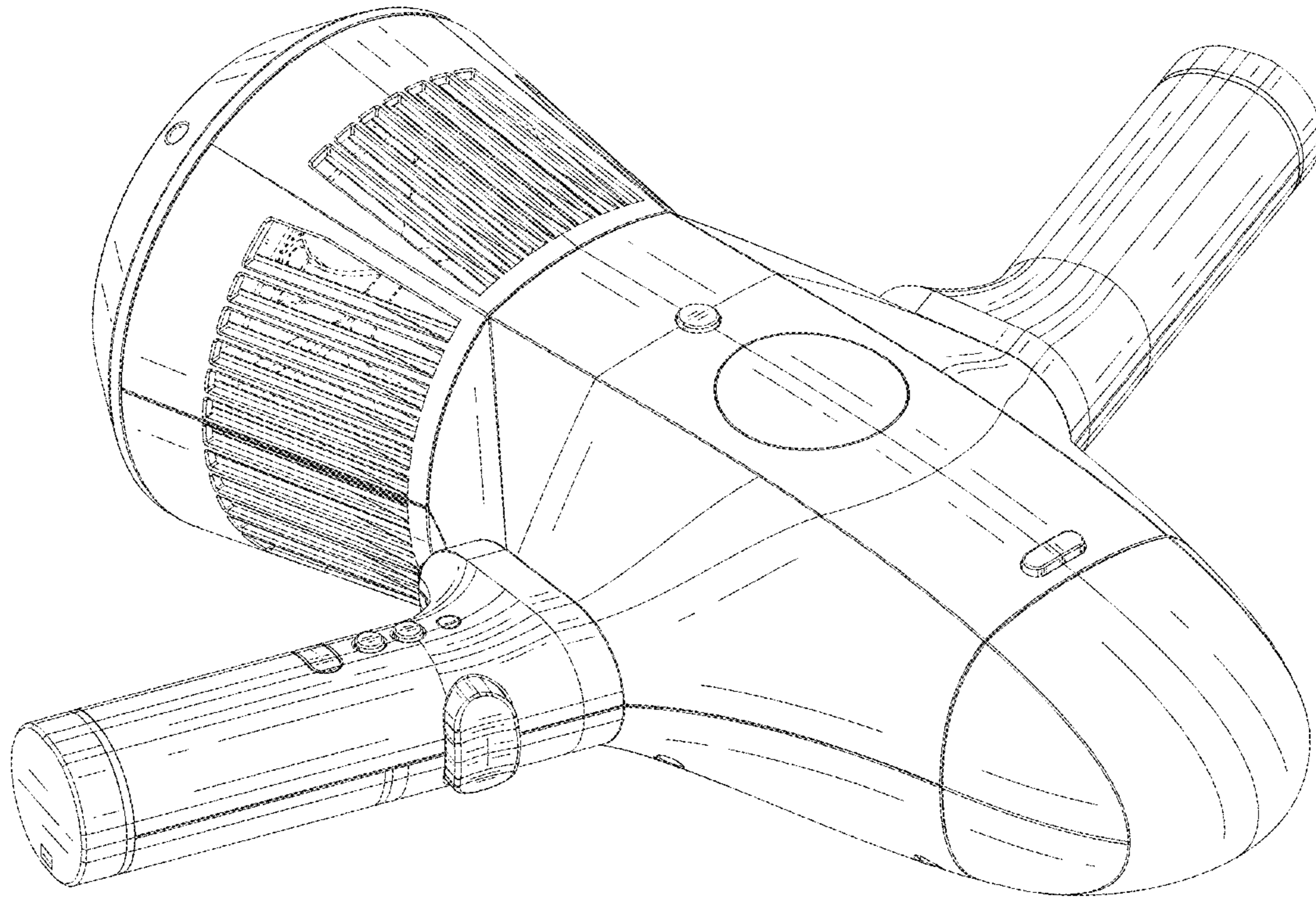


FIG. 1

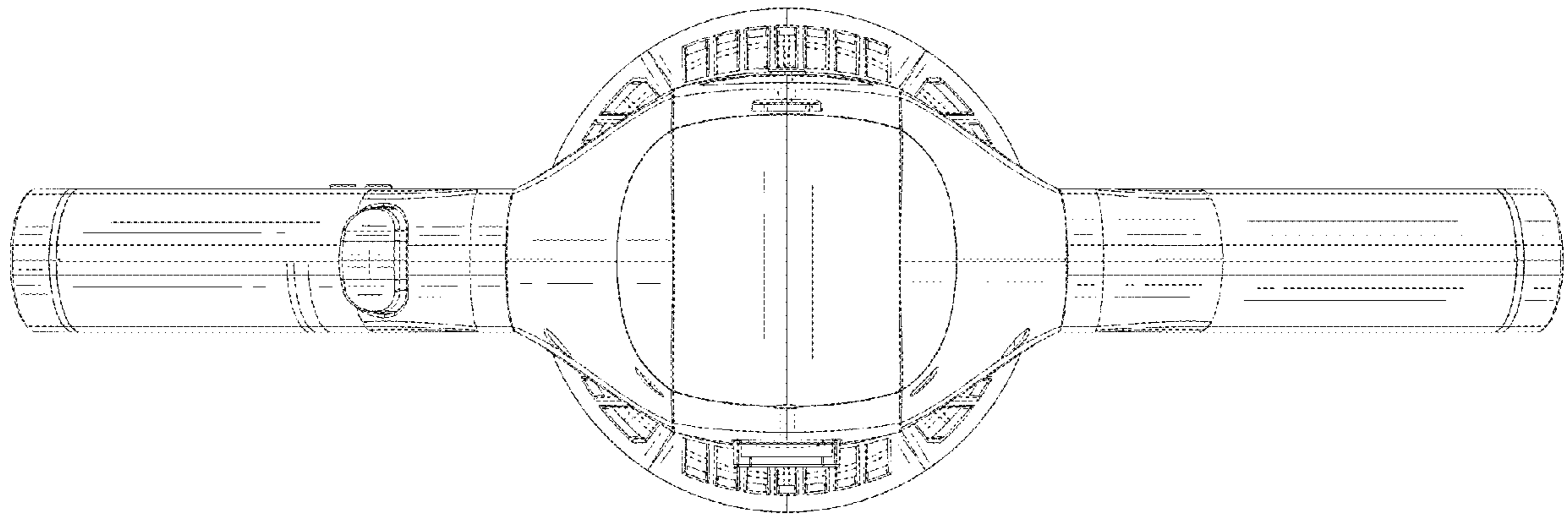


FIG. 2

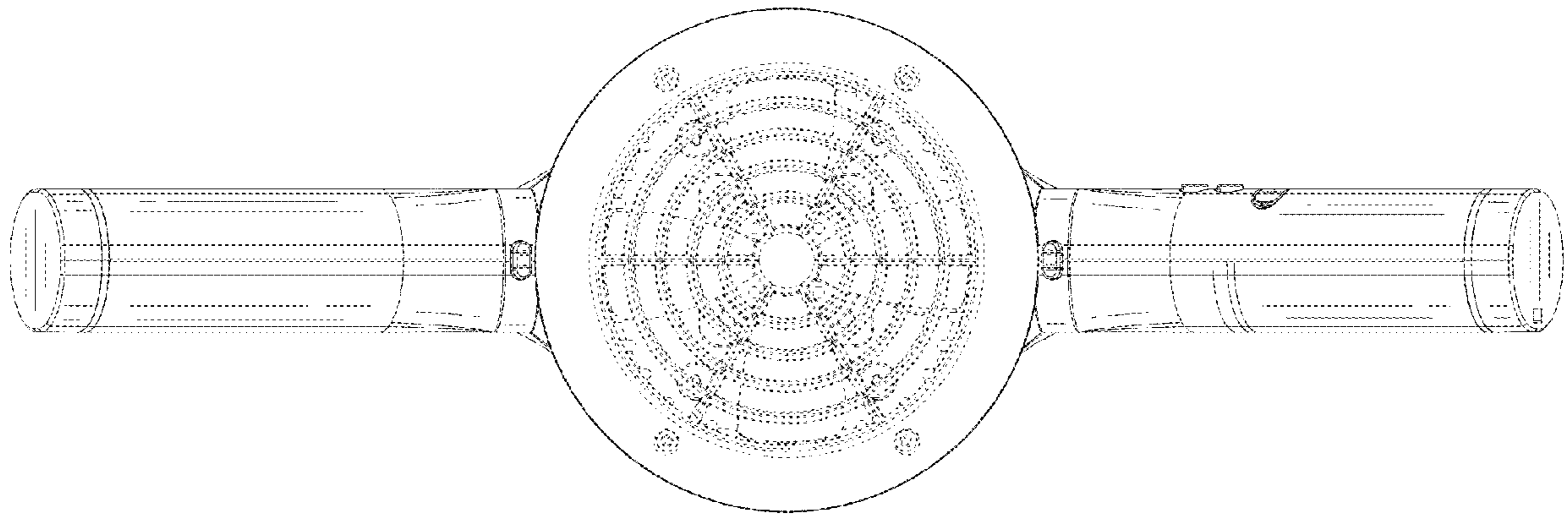


FIG. 3

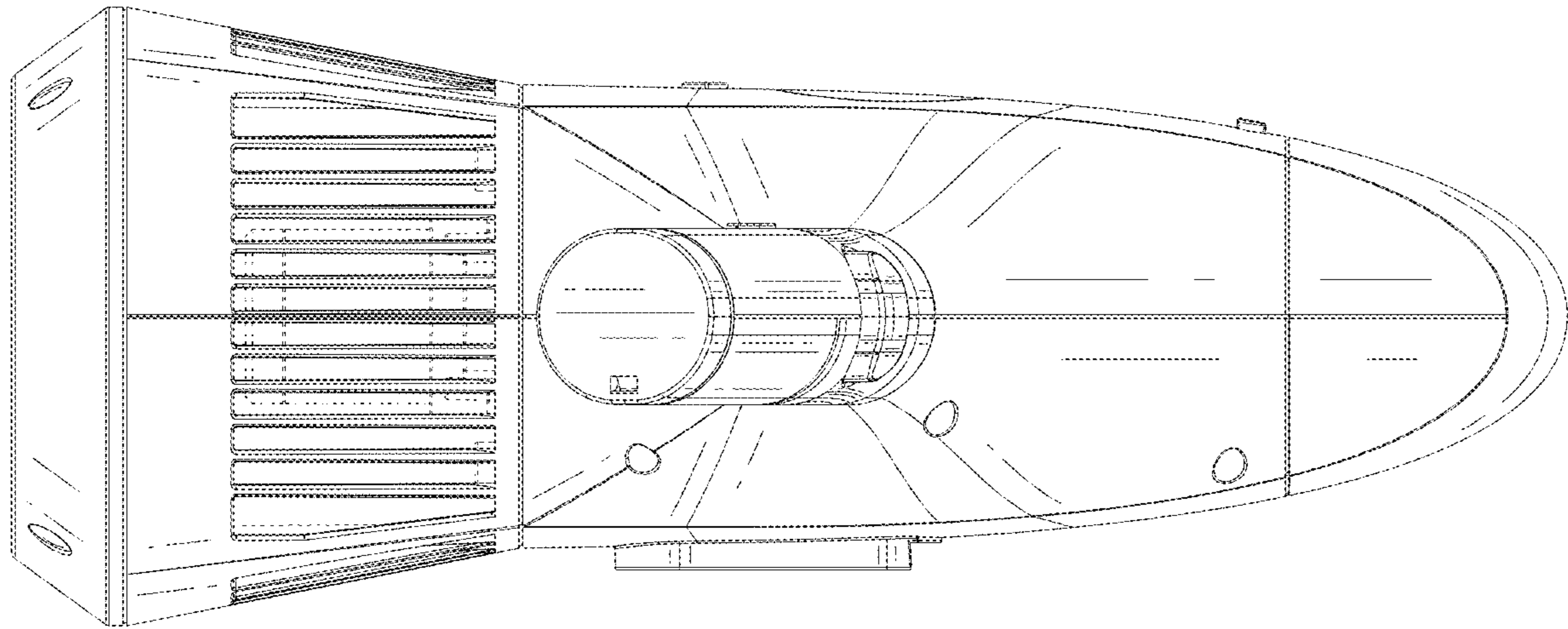


FIG. 4

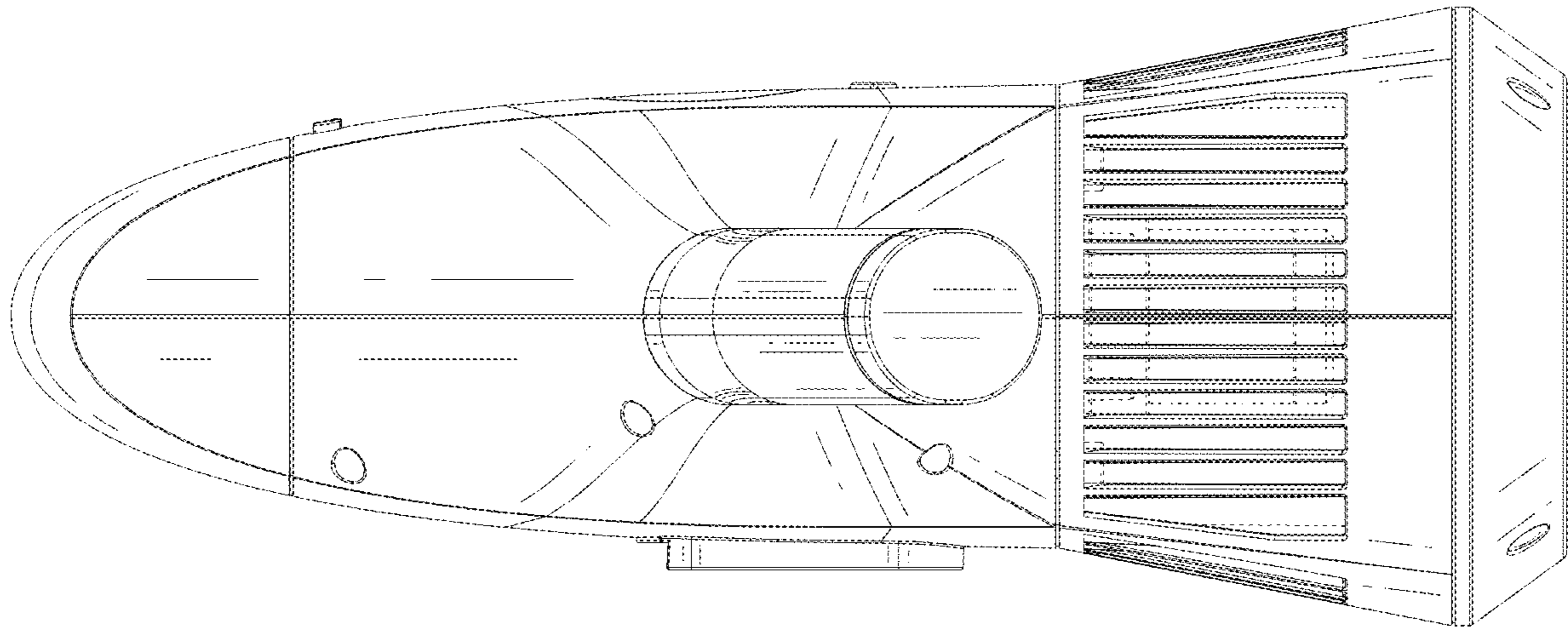


FIG. 5

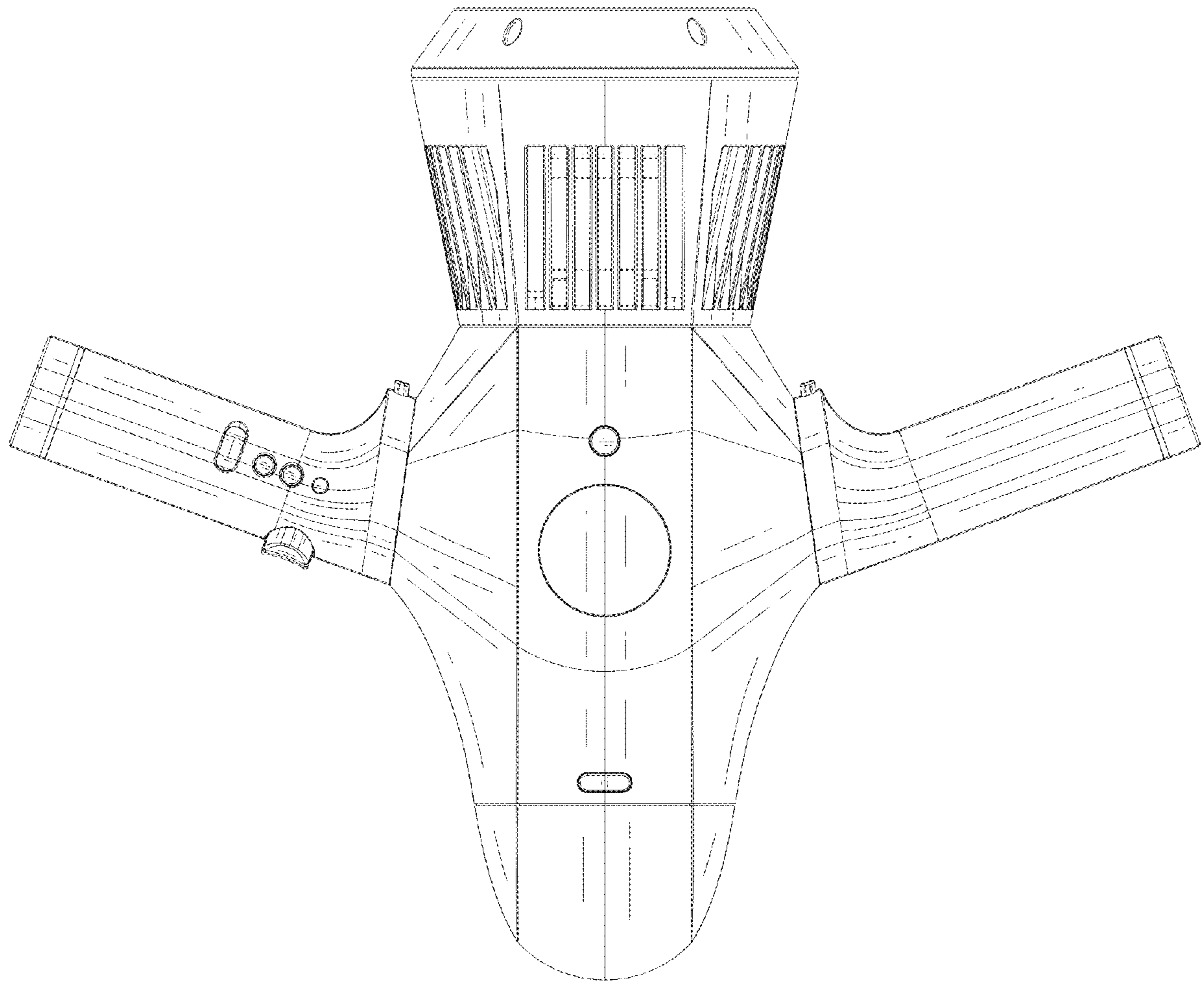


FIG. 6

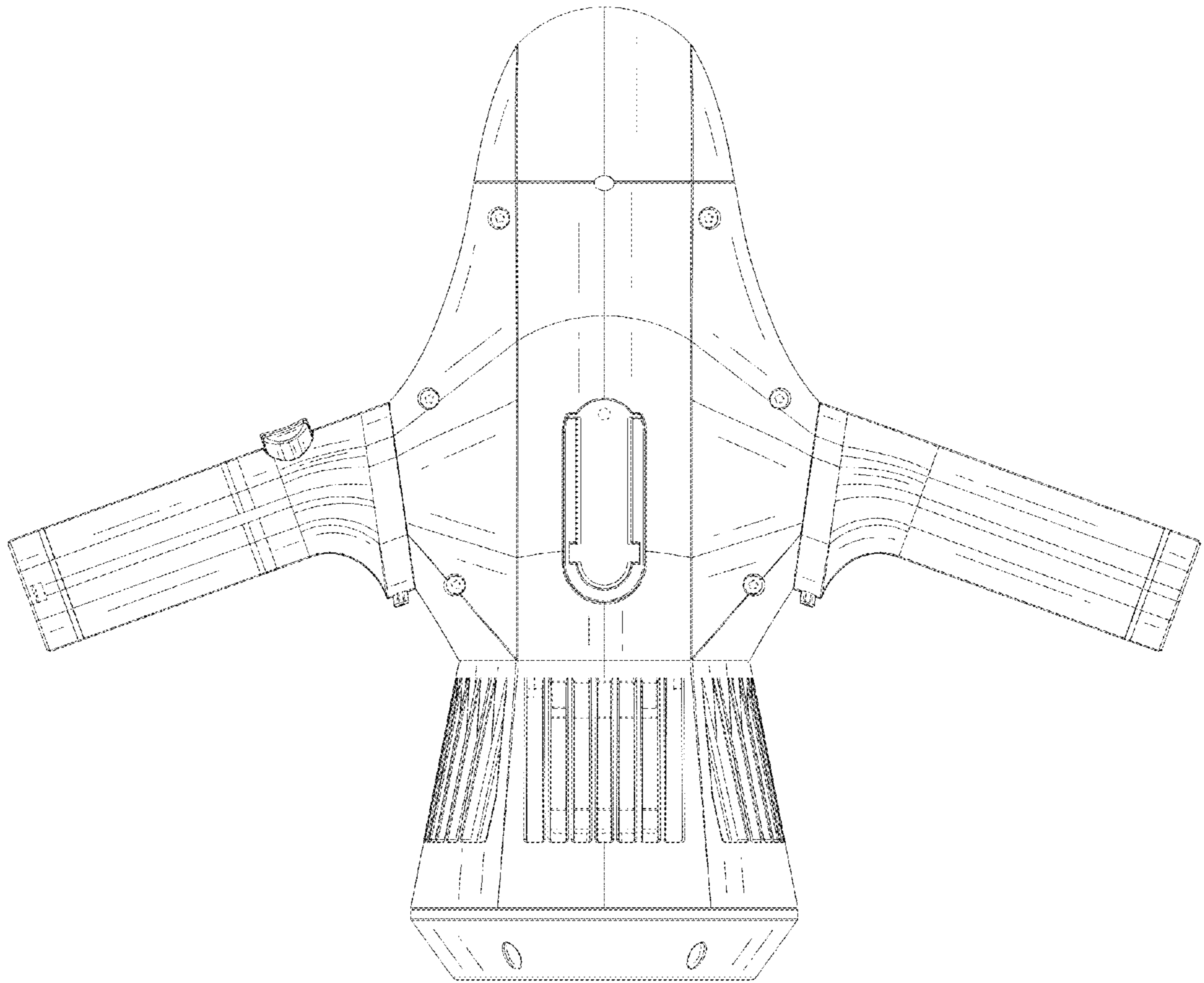


FIG. 7