



US00D981320S

(12) **United States Design Patent** (10) **Patent No.:** **US D981,320 S**
Garcia et al. (45) **Date of Patent:** **** *Mar. 21, 2023**

- (54) **MIRROR ARM**
- (71) Applicant: **PACCAR Inc**, Bellevue, WA (US)
- (72) Inventors: **Victor Garcia**, Aubrey, TX (US);
Dimitri Trinidad Medina, Plano, TX (US)
- (73) Assignee: **PACCAR Inc**, Bellevue, WA (US)
- (*) Notice: This patent is subject to a terminal disclaimer.
- (**) Term: **15 Years**
- (21) Appl. No.: **29/751,847**
- (22) Filed: **Sep. 23, 2020**
- (51) **LOC (14) Cl.** **12-16**
- (52) **U.S. Cl.**
USPC **D12/223**
- (58) **Field of Classification Search**
USPC D12/187-189, 223; D8/300, 349, 354,
D8/382
CPC .. B60R 1/00; B60R 1/006; B60R 1/02; B60R
1/025; B60R 1/06; B60R 1/0612; B60R
1/062; B60R 1/064; B60R 1/12
See application file for complete search history.

D731,375 S *	6/2015	Roberts	D12/187
D731,377 S *	6/2015	Roberts	D12/187
D731,378 S *	6/2015	Roberts	D12/187
D748,546 S *	2/2016	Whitehead	D12/187
D777,630 S *	1/2017	Brester	D12/187
D794,521 S *	8/2017	Tseng	D12/187
D904,259 S *	12/2020	Piaskowski	D12/187

(Continued)

FOREIGN PATENT DOCUMENTS

CN	305750476	*	5/2020
CN	305868090	*	6/2020

(Continued)

OTHER PUBLICATIONS

“T800,” Kenworth Truck Company, 2002, 32-page brochure.

(Continued)

Primary Examiner — Darlington Ly

Assistant Examiner — D. Ryan Tisdale

(74) *Attorney, Agent, or Firm* — Seed IP Law Group LLP

(57) **CLAIM**

The ornamental design for a mirror arm, as shown and described.

DESCRIPTION

FIG. 1 is a top isometric view of a mirror arm embodying our new design;

FIG. 2 is a bottom isometric view thereof;

FIG. 3 is a front elevational view thereof;

FIG. 4 is a rear elevational view thereof;

FIG. 5 is a right side elevational view thereof;

FIG. 6 is a top plan view thereof; and,

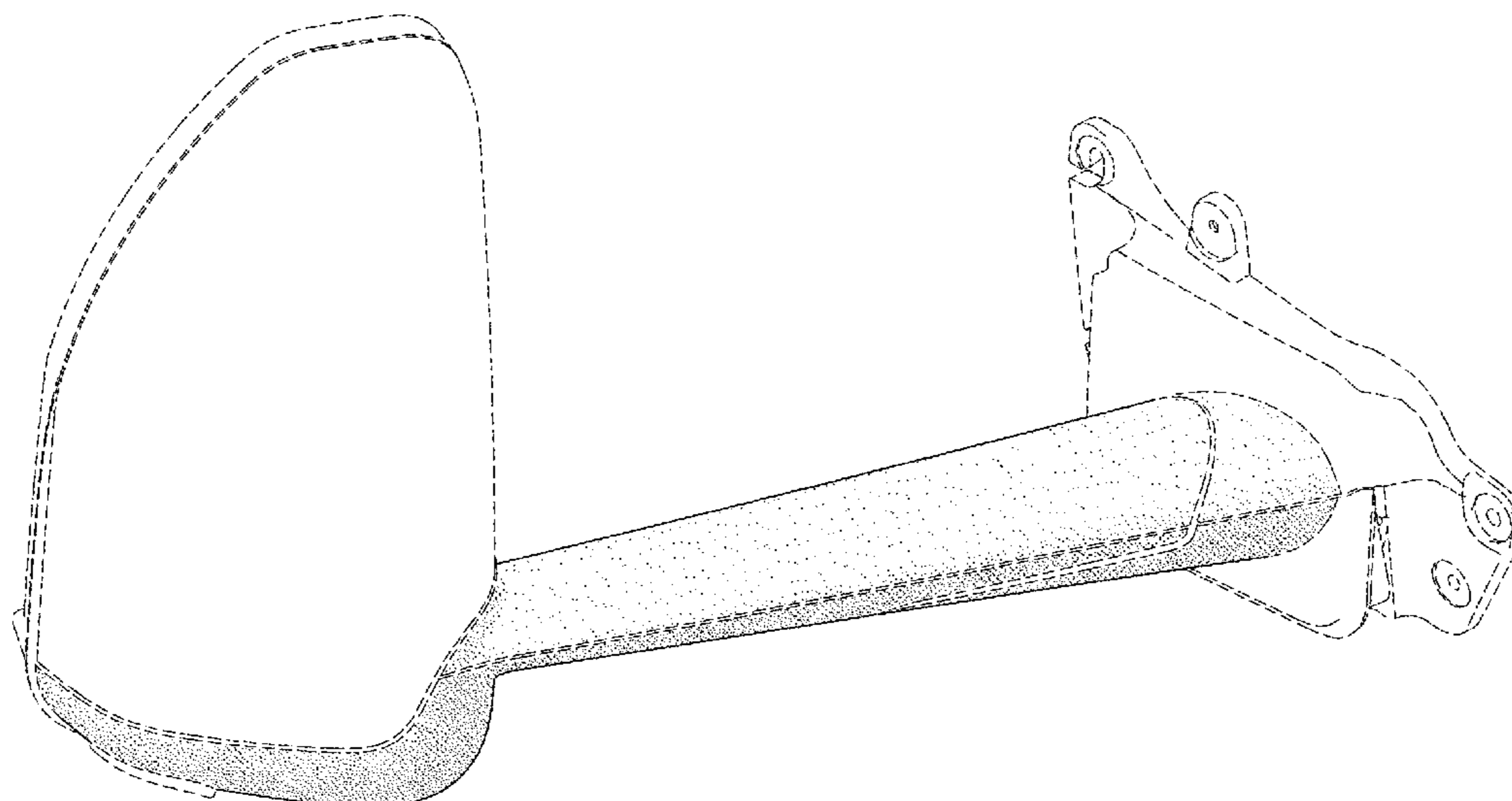
FIG. 7 is a bottom plan view thereof.

The broken lines shown in the drawings illustrate portions of the mirror arm and environmental structure that form no part of the claimed design.

1 Claim, 7 Drawing Sheets

(56) **References Cited**
U.S. PATENT DOCUMENTS

D144,740 S *	5/1946	Somers	D12/187
D195,552 S *	7/1963	Naylor et al.	D12/187
D505,897 S *	6/2005	Wade	D12/188
7,350,931 B1 *	4/2008	Peterson	B60R 1/078 359/872
D568,799 S *	5/2008	Spearman-Oxx	D12/187
D690,635 S	10/2013	Hovind et al.		
D702,607 S	4/2014	Hall et al.		
D702,608 S	4/2014	Hall et al.		
D702,609 S	4/2014	Hovind et al.		
D702,610 S	4/2014	Hall et al.		
D714,710 S	10/2014	Hall et al.		



(56)

References Cited

U.S. PATENT DOCUMENTS

2014/0146407 A1* 5/2014 Tseng B60R 1/076
359/841
2015/0360615 A1* 12/2015 Peterson B60R 1/06
359/841

FOREIGN PATENT DOCUMENTS

CN 305946833 * 7/2020
CN 305964682 * 8/2020
CN 305988650 * 8/2020
CN 306595586 * 6/2021
CN 306694969 * 7/2021
CN 306892266 * 10/2021

OTHER PUBLICATIONS

“T800,” Kenworth Truck Company, 2003, 32-page brochure.
“T800,” Kenworth Truck Company, 2005, 28-page brochure.
“T800,” Kenworth Truck Company, 2009, 28-page brochure.
“T800B,” Kenworth Truck Company, 1993, 8-page brochure.
Peterbilt Motors Company, “The Working Class,” Sep. 1976, 6-page brochure.
“The World’s Best,” Kenworth Truck Company, 1992, 12-page brochure.
“W900,” Kenworth Truck Company, 1996, 7-page brochure.
“W900,” Kenworth Truck Company, 2002, 32-page brochure.
“W900,” Kenworth Truck Company, 2005, 28-page brochure.
“W900,” Kenworth Truck Company, 2009, 28-page brochure.
Kenworth Truck Company, “W900L AeroCab,” 1994, 2-page brochure.
Kenworth Truck Company, “AeroCab,” 1993, 5-page brochure.
“AeroCab,” Kenworth Truck Company, as early as 1995, 3-page brochure.
“C500B,” Kenworth Truck Company, as early as 1990, 4-page brochure.
Peterbilt Motors Company, “Class Pays, Medium Duty,” Sep. 2000, 12-page brochure.
“Class Pays, Truck Models,” Peterbilt Motors Company, Mar. 2005, 24-page brochure.
“Class Pays,” Peterbilt Motors Company, Nov. 1998, 10-page brochure.
Peterbilt Motors Company, “Class Pays,” Sep. 1997, 10-page brochure.
“Class Pays, Construction Trucks,” Peterbilt Motors Company, Nov. 2003, 16-page brochure.
“Kenworth Truck Models,” Kenworth Truck Company, 2010, 16-page brochure.
Peterbilt Motors Company, “Model 330,” Oct. 1997, 3-page brochure.

Peterbilt Motors Company, “Model 379,” Apr. 2005, 2-page brochure.
Peterbilt Motors Company, “Model 379,” Mar. 1996, 5-page brochure.
Peterbilt Motors Company, “Rest with Class,” Apr. 1978, 4-page brochure.
“T170 Class 5,” Kenworth Truck Company, 2008, 4-page brochure.
“T270 Class 6 and T370 Class 7,” Kenworth Truck Company, 2008, 6-page brochure.
“T270 Class 6 and T370 Class 7,” Kenworth Truck Company, 2009, 6-page brochure.
“T270 Class 6 and T370 Class 7 Hybrid,” Kenworth Truck Company, 2009, 6-page brochure.
“T680,” Kenworth Truck Company, 2013, 34-page brochure.
“T680,” Kenworth Truck Company, 2016, 34-page brochure.
“T880,” Kenworth Truck Company, 2017, 32-page brochure.
“Model 579,” Peterbilt Motors Company, Oct. 2013, 13-page brochure.
“Medium Duty,” Peterbilt Motors Company, 2013, 9-page brochure.
“On-Highway,” Peterbilt Motors Company, 2013, 13-page brochure.
“Vocational,” Peterbilt Motors Company, 2013, 11-page brochure.
“T440,” Kenworth Truck Company, 2010, 6-page brochure.
“T470,” Kenworth Truck Company, 2010, 6-page brochure.
“T470H,” Kenworth Truck Company, 2009, 2-page brochure.
“Model 220,” Peterbilt Motors Company, 2019, 2-page brochure.
“220EV,” Peterbilt Motors Company, 2020, 5-page brochure.
“Model 337,” Peterbilt Motors Company, 2020, 2-page brochure.
“Model 389,” Peterbilt Motors Company, 2019, 2-page brochure.
“Model 348,” Peterbilt Motors Company, 2019, 2-page brochure.
“Model 520,” Peterbilt Motors Company, 2019, 2-page brochure.
“Model 567,” Peterbilt Motors Company, 2020, 16-page brochure.
“567 Heritage,” Peterbilt Motors Company, 2017, 2-page brochure.
“Model 579,” Peterbilt Motors Company, 2019, 28-page brochure.
“C500,” Kenworth Truck Company, 2012, 2-page brochure.
“T680,” Kenworth Truck Company, 2019, 40-page brochure.
“T800,” Kenworth Truck Company, 2012, 28-page brochure.
“T440/T470,” Kenworth Truck Company, 2015, 8-page brochure.
“K270E/K370E,” Kenworth Truck Company, 2020, 4-page brochure.
“T170/T270/T370,” Kenworth Truck Company, 2019, 16-page brochure.
“K270/K370,” Kenworth Truck Company, 2014, 12-page brochure.
“W990,” Kenworth Truck Company, 2018, 32-page brochure.
“T880,” Kenworth Truck Company, 2019, 36-page brochure.
“Model 367,” Peterbilt Motors Company, <https://www.peterbilt.com/trucks/vocational/model-367>, retrieved Nov. 20, 2020, 12 pages.
“Model 365,” Peterbilt Motors Company, <https://www.peterbilt.com/trucks/vocational/model-365>, retrieved Nov. 20, 2020, 11 pages.
“Model 325,” Peterbilt Motors Company, <https://www.peterbilt.com/trucks/medium-duty/model-325>, retrieved Nov. 20, 2020, 12 pages.
U.S. Appl. No. 29/751,846, filed Sep. 23, 2020.

* cited by examiner

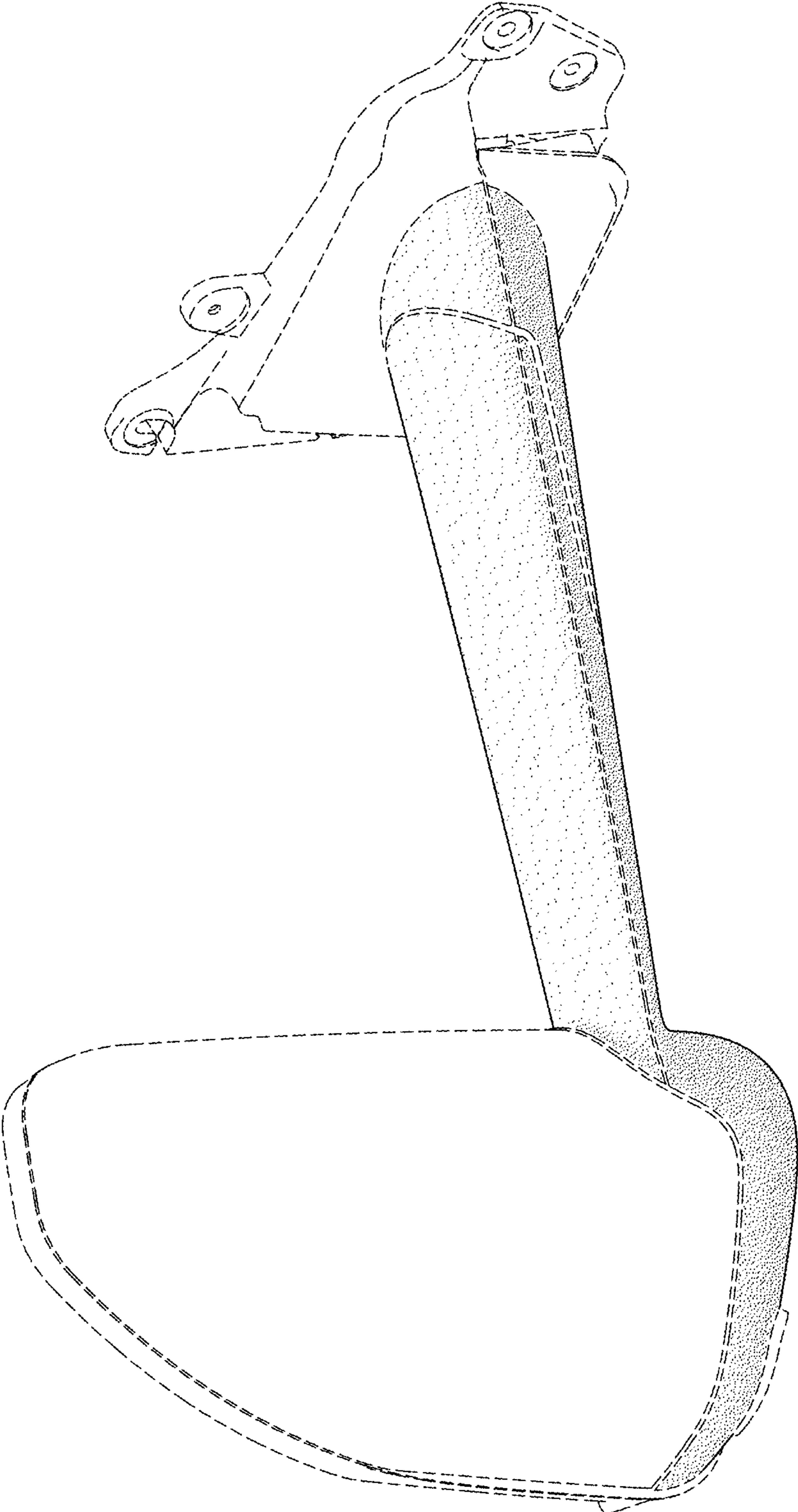


FIG. 1

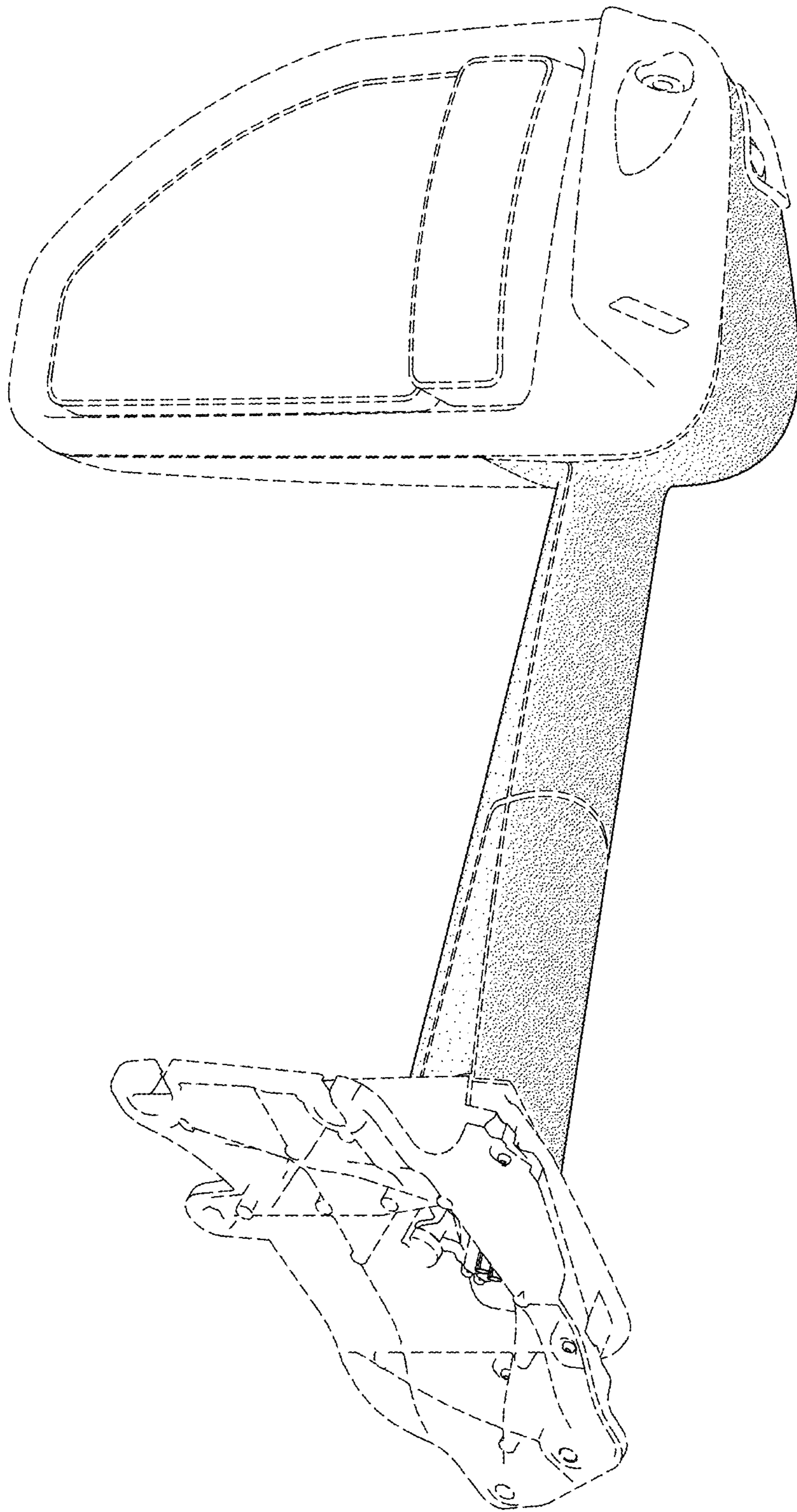


FIG. 2

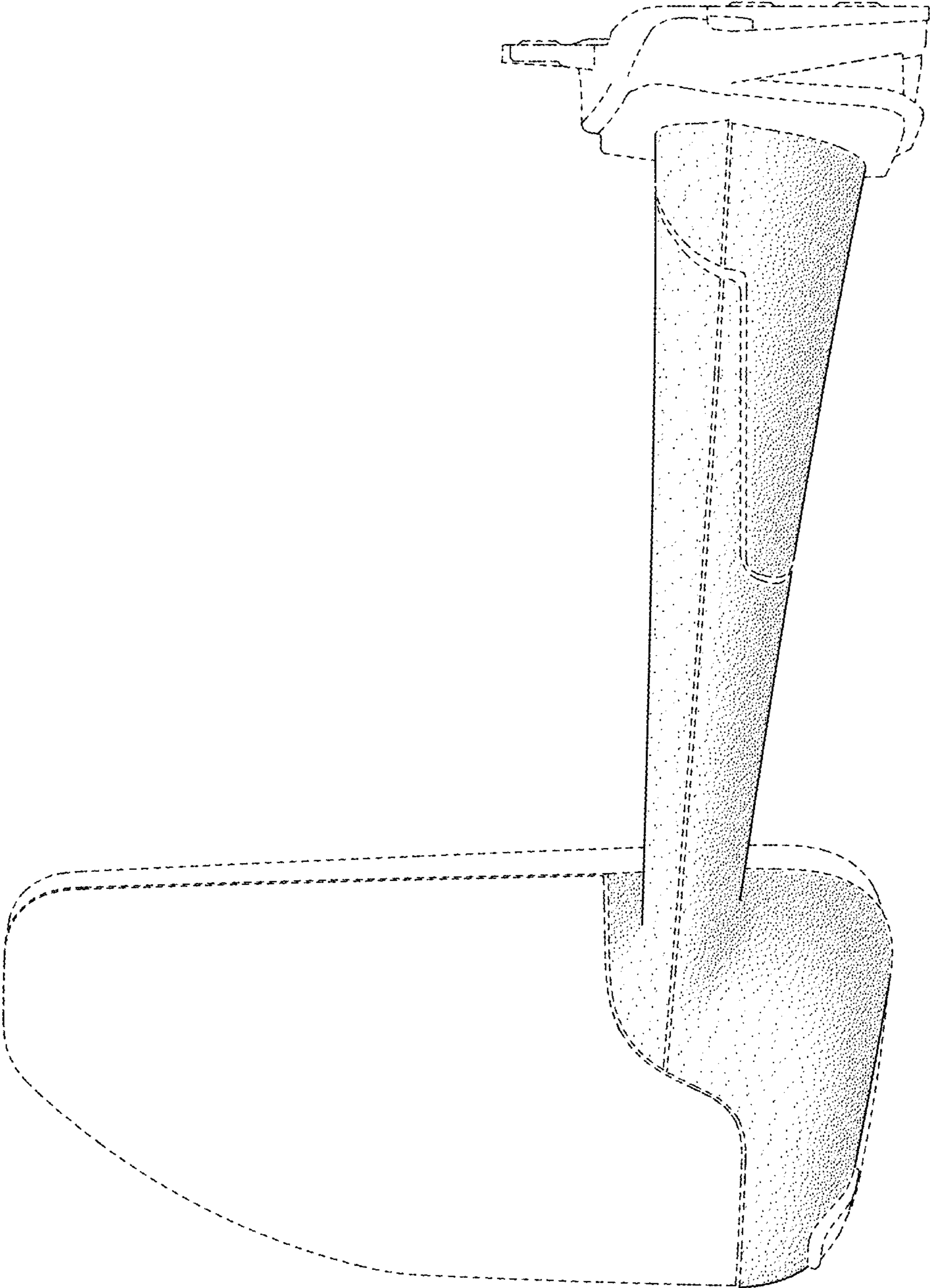


FIG. 3

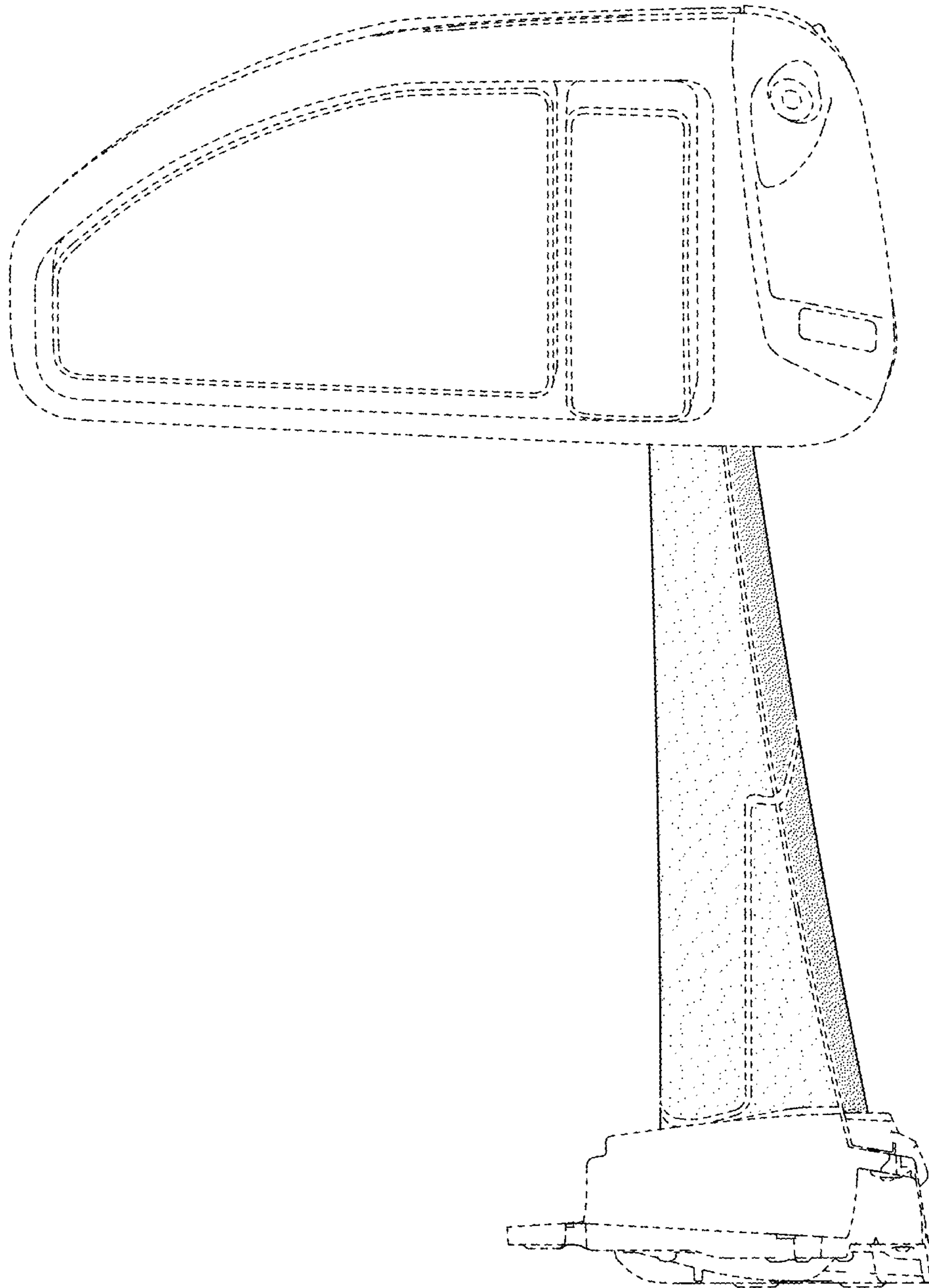


FIG. 4

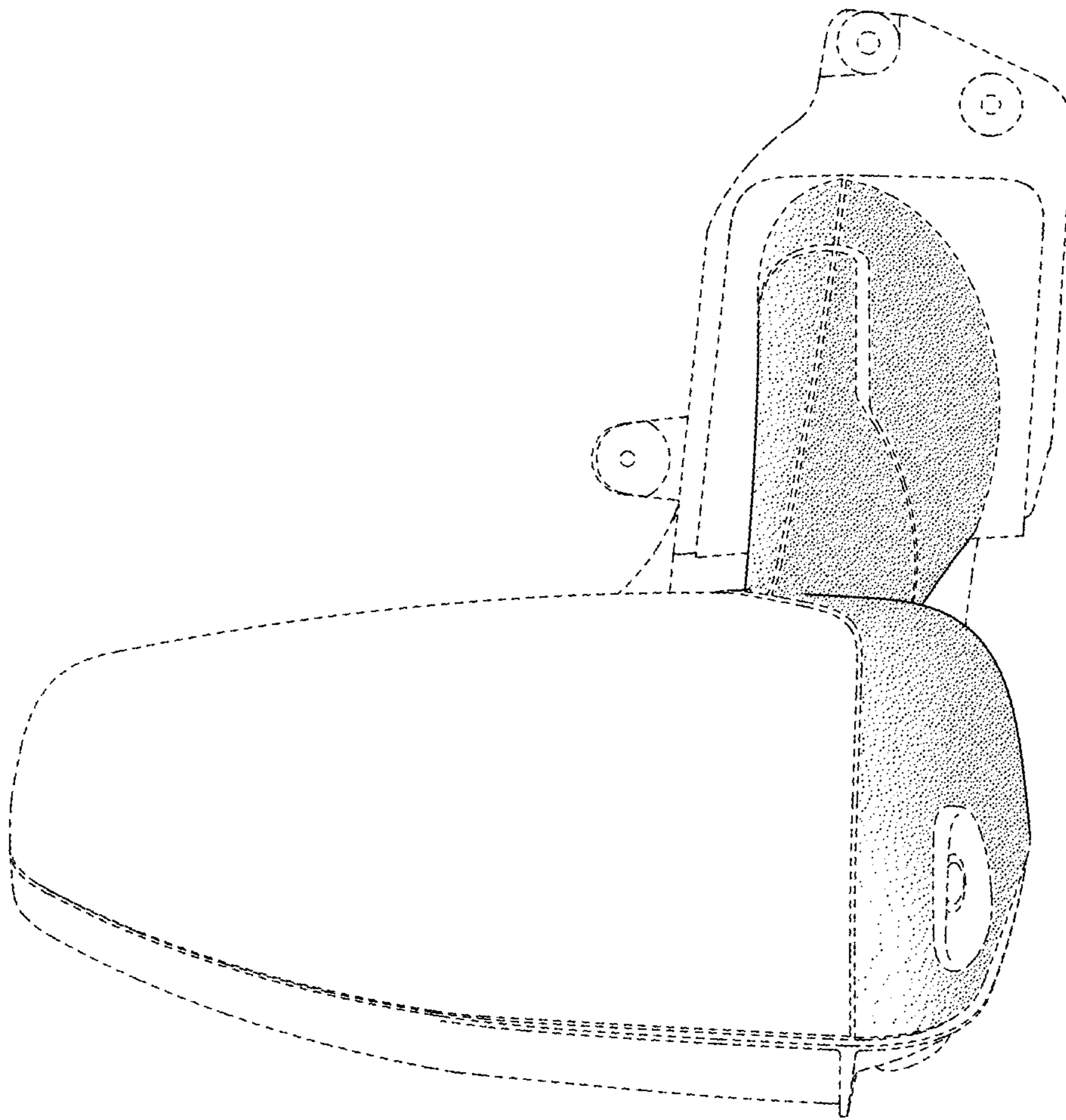


FIG. 5

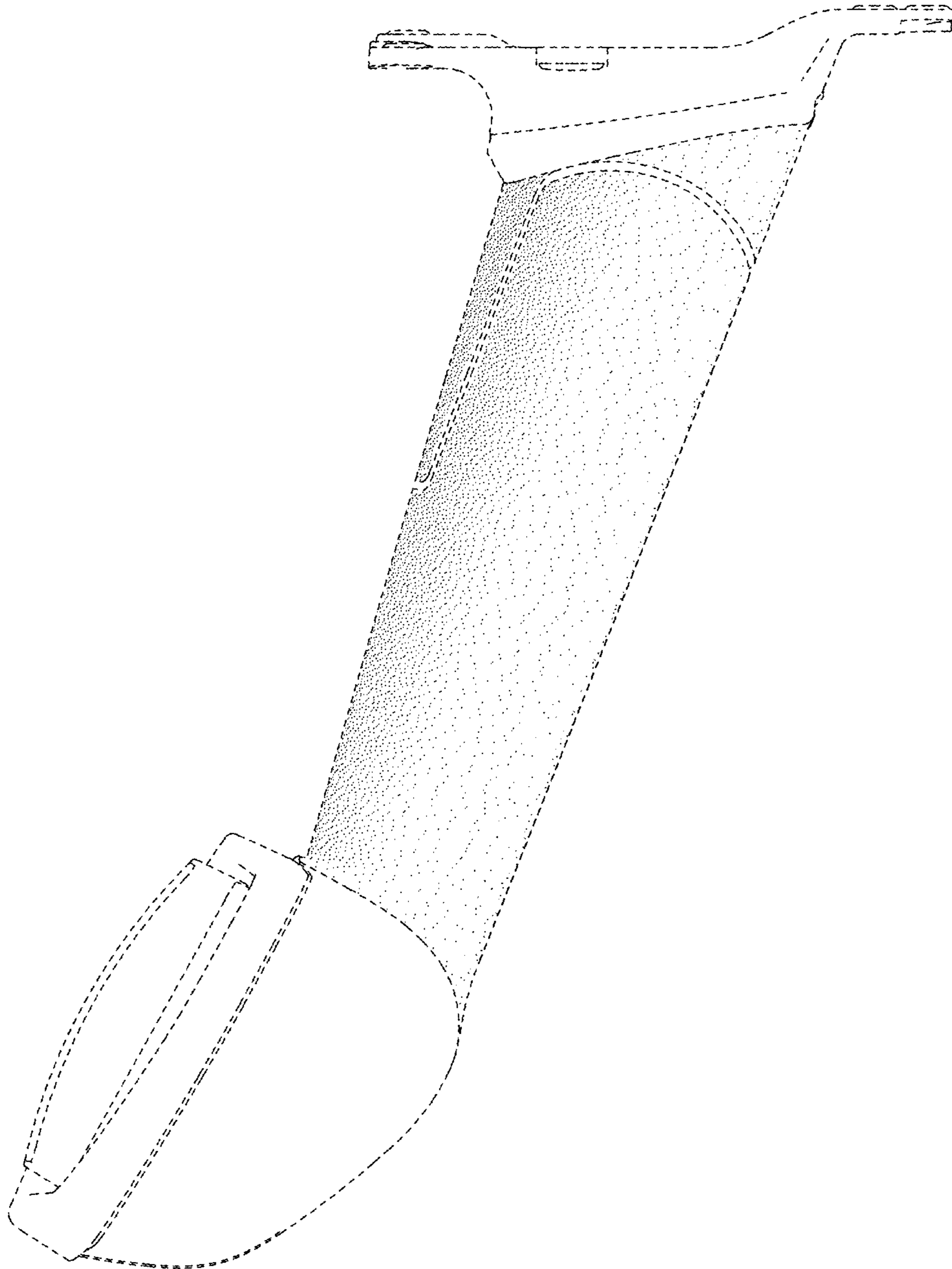


FIG. 6

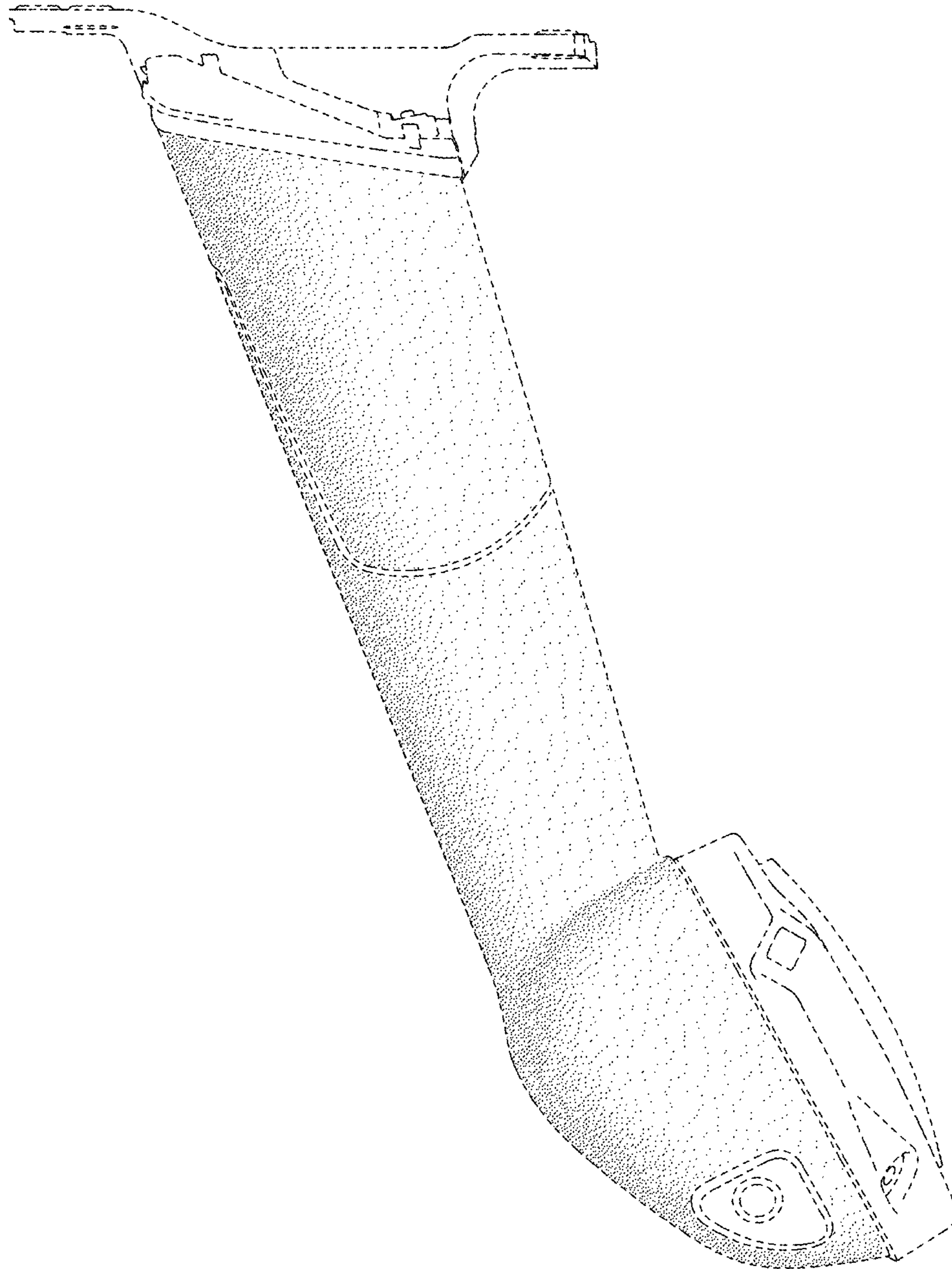


FIG. 7