



US00D981319S

(12) **United States Design Patent**  
**Garcia et al.**

(10) **Patent No.:** **US D981,319 S**  
(45) **Date of Patent:** **\*\* \*Mar. 21, 2023**

- (54) **MIRROR ARM**
- (71) Applicant: **PACCAR Inc**, Bellevue, WA (US)
- (72) Inventors: **Victor Garcia**, Aubrey, TX (US);  
**Dimitri Trinidad Medina**, Plano, TX (US)
- (73) Assignee: **PACCAR Inc**, Bellevue, WA (US)
- (\*) Notice: This patent is subject to a terminal disclaimer.
- (\*\*) Term: **15 Years**
- (21) Appl. No.: **29/751,846**
- (22) Filed: **Sep. 23, 2020**
- (51) **LOC (14) Cl.** ..... **12-16**
- (52) **U.S. Cl.**  
USPC ..... **D12/223**
- (58) **Field of Classification Search**  
USPC ..... D12/187-189, 223; D8/300, 349, 354,  
D8/382  
CPC .. B60R 1/00; B60R 1/006; B60R 1/02; B60R  
1/025; B60R 1/06; B60R 1/0612; B60R  
1/062; B60R 1/064; B60R 1/12  
See application file for complete search history.

D731,375 S *	6/2015	Roberts	.....	D12/187
D731,377 S *	6/2015	Roberts	.....	D12/187
D731,378 S *	6/2015	Roberts	.....	D12/187
D748,546 S *	2/2016	Whitehead	.....	D12/187
D777,630 S *	1/2017	Brester	.....	D12/187
D794,521 S *	8/2017	Tseng	.....	D12/187
D904,259 S *	12/2020	Piaskowski	.....	D12/187

(Continued)

**FOREIGN PATENT DOCUMENTS**

CN	305750476	*	5/2020
CN	305868090	*	6/2020

(Continued)

**OTHER PUBLICATIONS**

“T800,” Kenworth Truck Company, 2002, 32-page brochure.  
(Continued)

*Primary Examiner* — Darlington Ly  
*Assistant Examiner* — D. Ryan Tisdale  
(74) *Attorney, Agent, or Firm* — Seed IP Law Group LLP

(57) **CLAIM**

The ornamental design for a mirror arm, as shown and described.

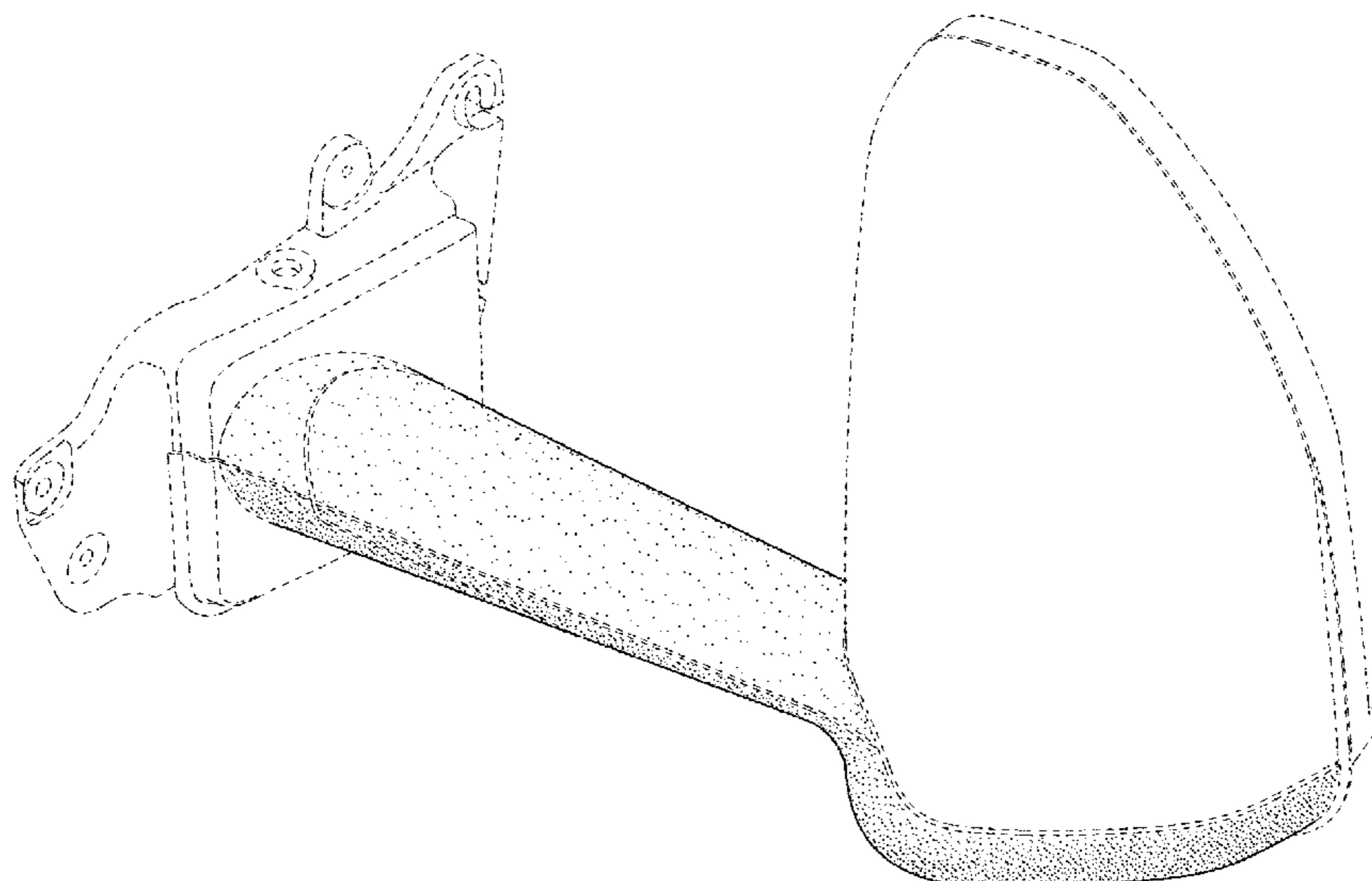
**DESCRIPTION**

FIG. 1 is a top isometric view of a mirror arm embodying our new design;  
FIG. 2 is a bottom isometric view thereof;  
FIG. 3 is a front elevational view thereof;  
FIG. 4 is a rear elevational view thereof;  
FIG. 5 is a right side elevational view thereof;  
FIG. 6 is a top plan view thereof; and,  
FIG. 7 is a bottom plan view thereof.  
The broken lines shown in the drawings illustrate portions of the mirror arm and environmental structure that form no part of the claimed design.

**1 Claim, 7 Drawing Sheets**

(56) **References Cited**  
**U.S. PATENT DOCUMENTS**

D144,740 S *	5/1946	Somers	.....	D12/187
D195,552 S *	7/1963	Naylor et al.	.....	D12/187
D505,897 S *	6/2005	Wade	.....	D12/188
7,350,931 B1 *	4/2008	Peterson	.....	B60R 1/078 359/872
D568,799 S *	5/2008	Spearman-Oxx	.....	D12/187
D690,635 S	10/2013	Hovind et al.		
D702,607 S	4/2014	Hall et al.		
D702,608 S	4/2014	Hall et al.		
D702,609 S	4/2014	Hovind et al.		
D702,610 S	4/2014	Hall et al.		
D714,710 S	10/2014	Hall et al.		



(56)

**References Cited**

U.S. PATENT DOCUMENTS

2014/0146407	A1*	5/2014	Tseng .....	B60R 1/076	359/841
2015/0360615	A1*	12/2015	Peterson .....	B60R 1/06	359/841

FOREIGN PATENT DOCUMENTS

CN	305946833	*	7/2020
CN	305964682	*	8/2020
CN	305988650	*	8/2020
CN	306595586	*	6/2021
CN	306694969	*	7/2021
CN	306892266	*	10/2021

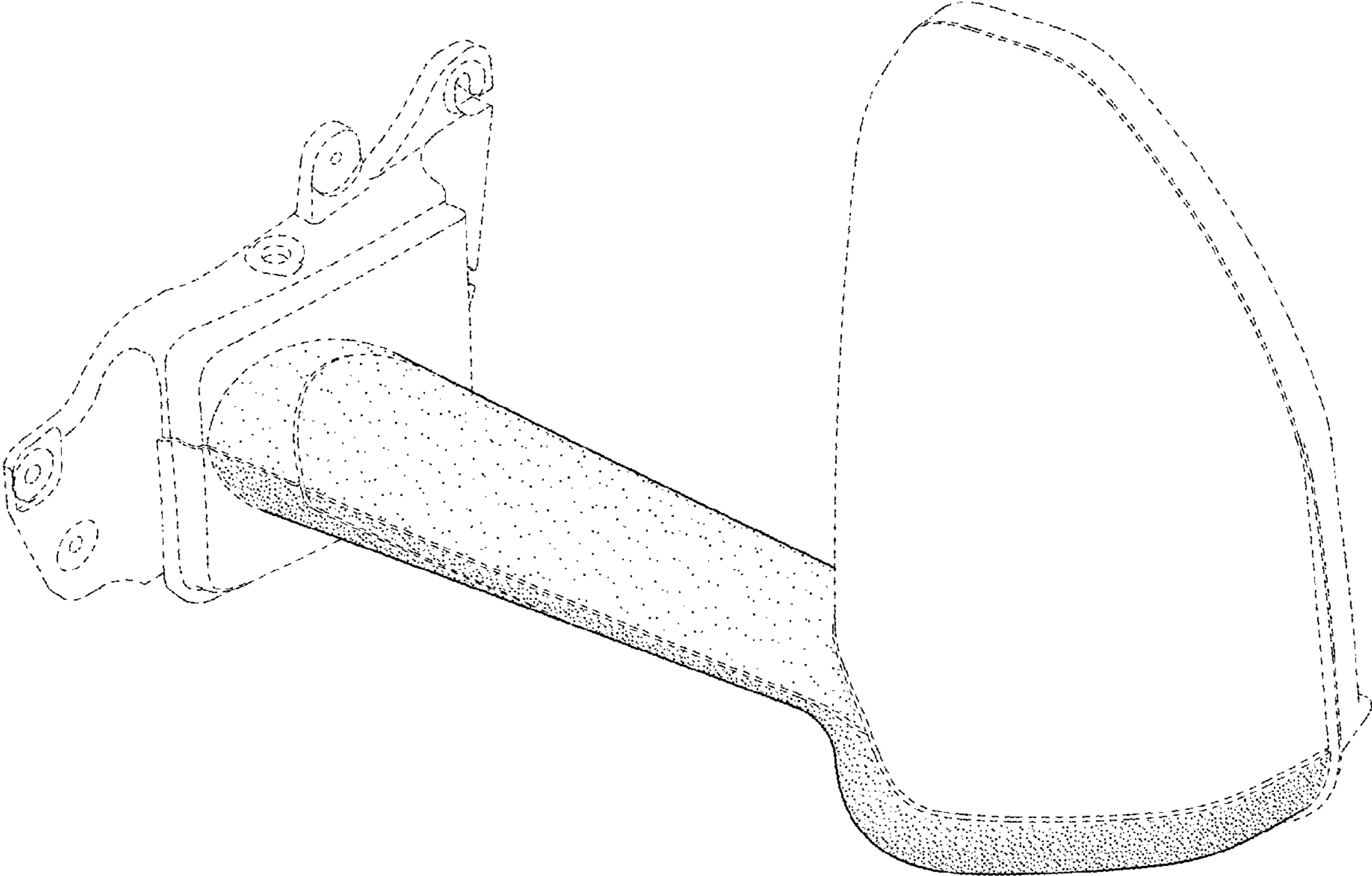
OTHER PUBLICATIONS

“T800,” Kenworth Truck Company, 2003, 32-page brochure.  
 “T800,” Kenworth Truck Company, 2005, 28-page brochure.  
 “T800,” Kenworth Truck Company, 2009, 28-page brochure.  
 “T800B,” Kenworth Truck Company, 1993, 8-page brochure.  
 Peterbilt Motors Company, “The Working Class,” Sep. 1976, 6-page brochure.  
 “The World’s Best,” Kenworth Truck Company, 1992, 12-page brochure.  
 “W900,” Kenworth Truck Company, 1996, 7-page brochure.  
 “W900,” Kenworth Truck Company, 2002, 32-page brochure.  
 “W900,” Kenworth Truck Company, 2005, 28-page brochure.  
 “W900,” Kenworth Truck Company, 2009, 28-page brochure.  
 Kenworth Truck Company, “W900L AeroCab,” 1994, 2-page brochure.  
 Kenworth Truck Company, “AeroCab,” 1993, 5-page brochure.  
 “AeroCab,” Kenworth Truck Company, as early as 1995, 3-page brochure.  
 “C500B,” Kenworth Truck Company, as early as 1990, 4-page brochure.  
 Peterbilt Motors Company, “Class Pays, Medium Duty,” Sep. 2000, 12-page brochure.  
 “Class Pays, Truck Models,” Peterbilt Motors Company, Mar. 2005, 24-page brochure.  
 “Class Pays,” Peterbilt Motors Company, Nov. 1998, 10-page brochure.  
 Peterbilt Motors Company, “Class Pays,” Sep. 1997, 10-page brochure.  
 “Class Pays, Construction Trucks,” Peterbilt Motors Company, Nov. 2003, 16-page brochure.  
 “Kenworth Truck Models,” Kenworth Truck Company, 2010, 16-page brochure.  
 Peterbilt Motors Company, “Model 330,” Oct. 1997, 3-page brochure.

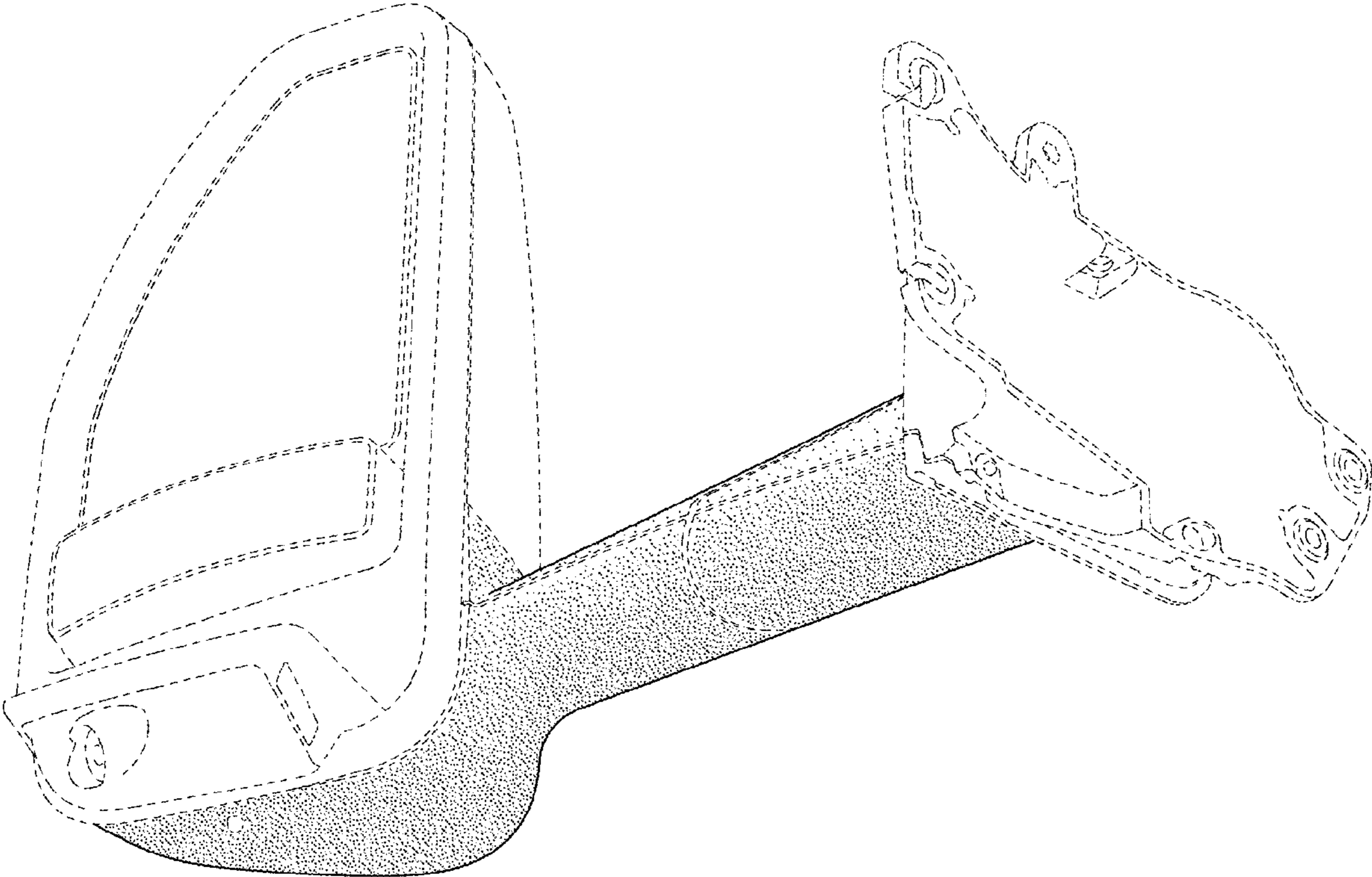
Peterbilt Motors Company, “Model 379,” Apr. 2005, 2-page brochure.  
 Peterbilt Motors Company, “Model 379,” Mar. 1996, 5-page brochure.  
 Peterbilt Motors Company, “Rest with Class,” Apr. 1978, 4-page brochure.  
 “T170 Class 5,” Kenworth Truck Company, 2008, 4-page brochure.  
 “T270 Class 6 and T370 Class 7,” Kenworth Truck Company, 2008, 6-page brochure.  
 “T270 Class 6 and T370 Class 7,” Kenworth Truck Company, 2009, 6-page brochure.  
 “T270 Class 6 and T370 Class 7 Hybrid,” Kenworth Truck Company, 2009, 6-page brochure.  
 “T680,” Kenworth Truck Company, 2013, 34-page brochure.  
 “T680,” Kenworth Truck Company, 2016, 34-page brochure.  
 “T880,” Kenworth Truck Company, 2017, 32-page brochure.  
 “Model 579,” Peterbilt Motors Company, Oct. 2013, 13-page brochure.  
 “Medium Duty,” Peterbilt Motors Company, 2013, 9-page brochure.  
 “On-Highway,” Peterbilt Motors Company, 2013, 13-page brochure.  
 “Vocational,” Peterbilt Motors Company, 2013, 11-page brochure.  
 “T440,” Kenworth Truck Company, 2010, 6-page brochure.  
 “T470,” Kenworth Truck Company, 2010, 6-page brochure.  
 “T470H,” Kenworth Truck Company, 2009, 2-page brochure.  
 “Model 220,” Peterbilt Motors Company, 2019, 2-page brochure.  
 “220EV,” Peterbilt Motors Company, 2020, 5-page brochure.  
 “Model 337,” Peterbilt Motors Company, 2020, 2-page brochure.  
 “Model 389,” Peterbilt Motors Company, 2019, 2-page brochure.  
 “Model 348,” Peterbilt Motors Company, 2019, 2-page brochure.  
 “Model 520,” Peterbilt Motors Company, 2019, 2-page brochure.  
 “Model 567,” Peterbilt Motors Company, 2020, 16-page brochure.  
 “567 Heritage,” Peterbilt Motors Company, 2017, 2-page brochure.  
 “Model 579,” Peterbilt Motors Company, 2019, 28-page brochure.  
 “C500,” Kenworth Truck Company, 2012, 2-page brochure.  
 “T680,” Kenworth Truck Company, 2019, 40-page brochure.  
 “T800,” Kenworth Truck Company, 2012, 28-page brochure.  
 “T440/T470,” Kenworth Truck Company, 2015, 8-page brochure.  
 “K270E/K370E,” Kenworth Truck Company, 2020, 4-page brochure.  
 “T170/T270/T3 70,” Kenworth Truck Company, 2019, 16-page brochure.  
 “K270/K370,” Kenworth Truck Company, 2014, 12-page brochure.  
 “W990,” Kenworth Truck Company, 2018, 32-page brochure.  
 “T880,” Kenworth Truck Company, 2019, 36-page brochure.  
 “Model 367,” Peterbilt Motors Company, <https://www.peterbilt.com/trucks/vocational/model-367>, retrieved Nov. 20, 2020, 12 pages.  
 “Model 365,” Peterbilt Motors Company, <https://www.peterbilt.com/trucks/vocational/model-365>, retrieved Nov. 20, 2020, 11 pages.  
 “Model 325,” Peterbilt Motors Company, <https://www.peterbilt.com/trucks/medium-duty/model-325>, retrieved Nov. 20, 2020, 12 pages.

\* cited by examiner

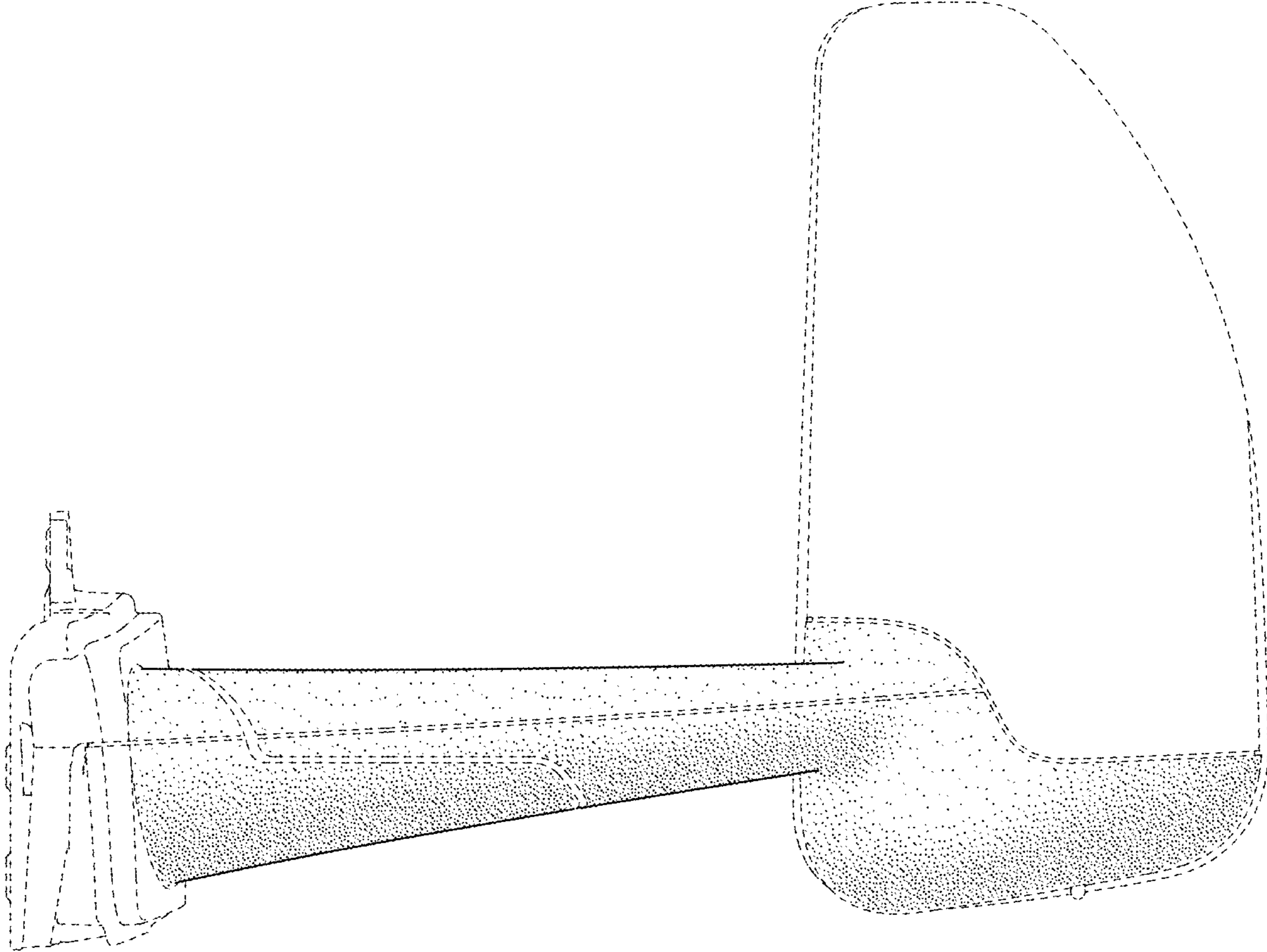




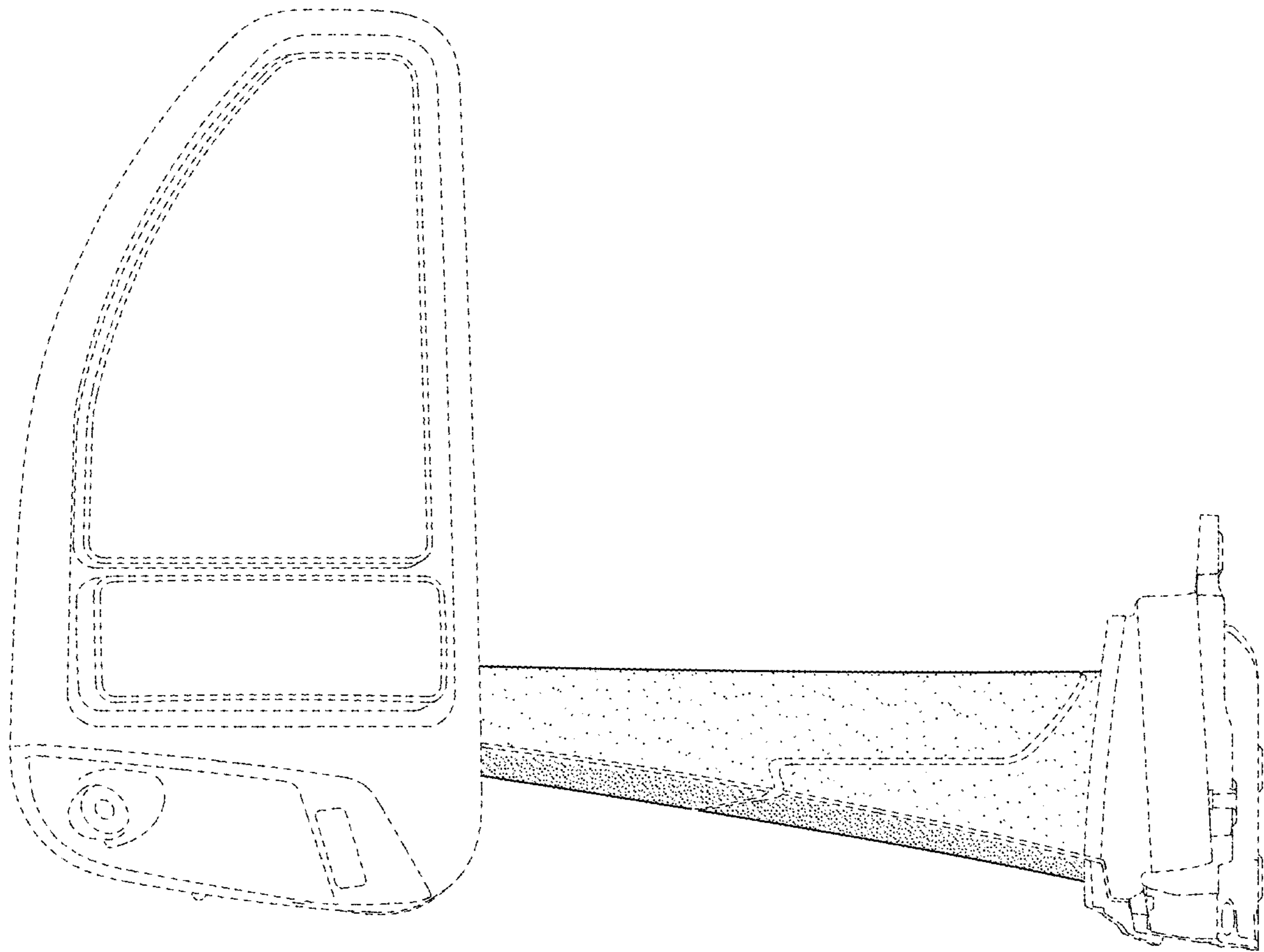
***FIG. 1***



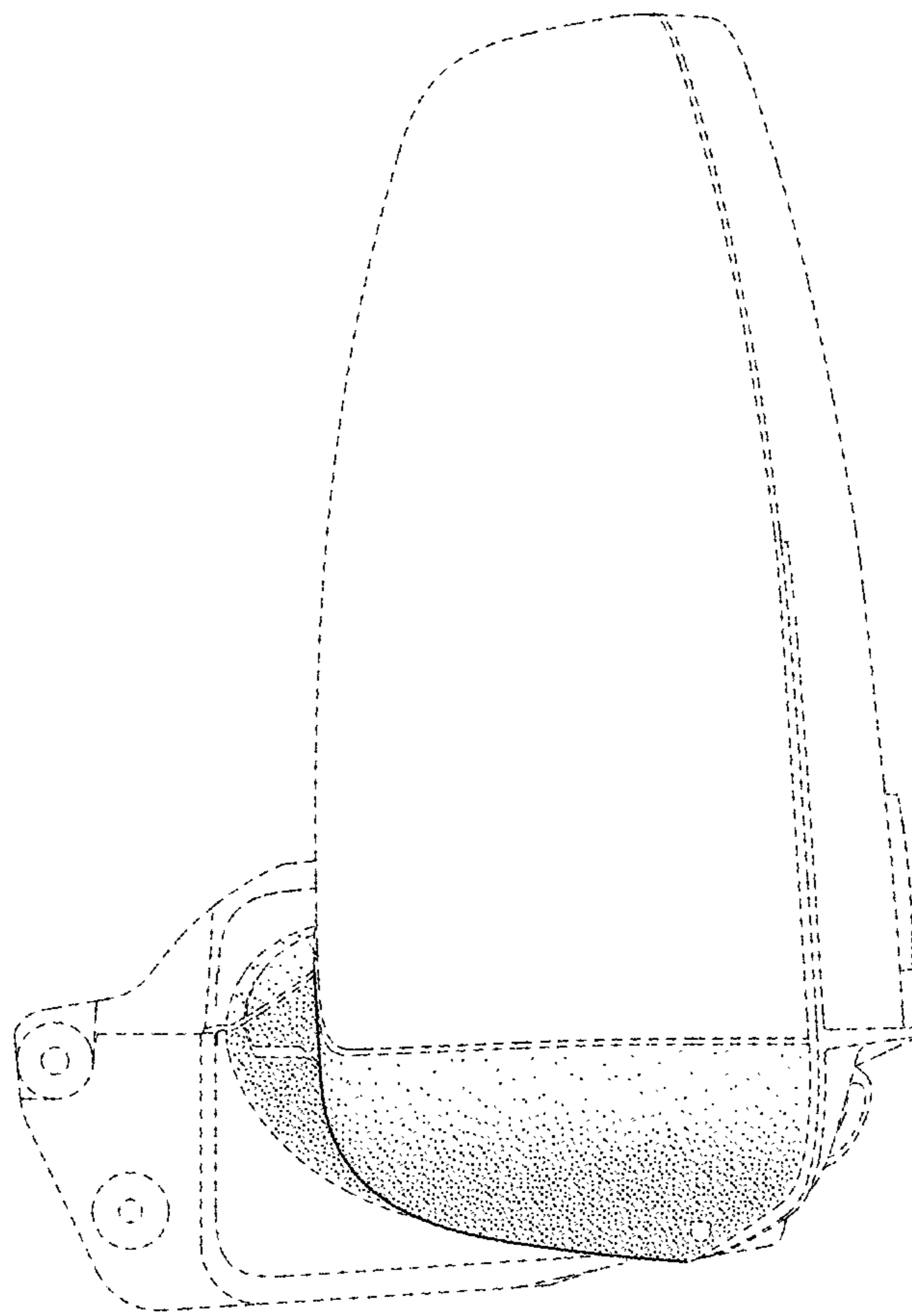
**FIG. 2**



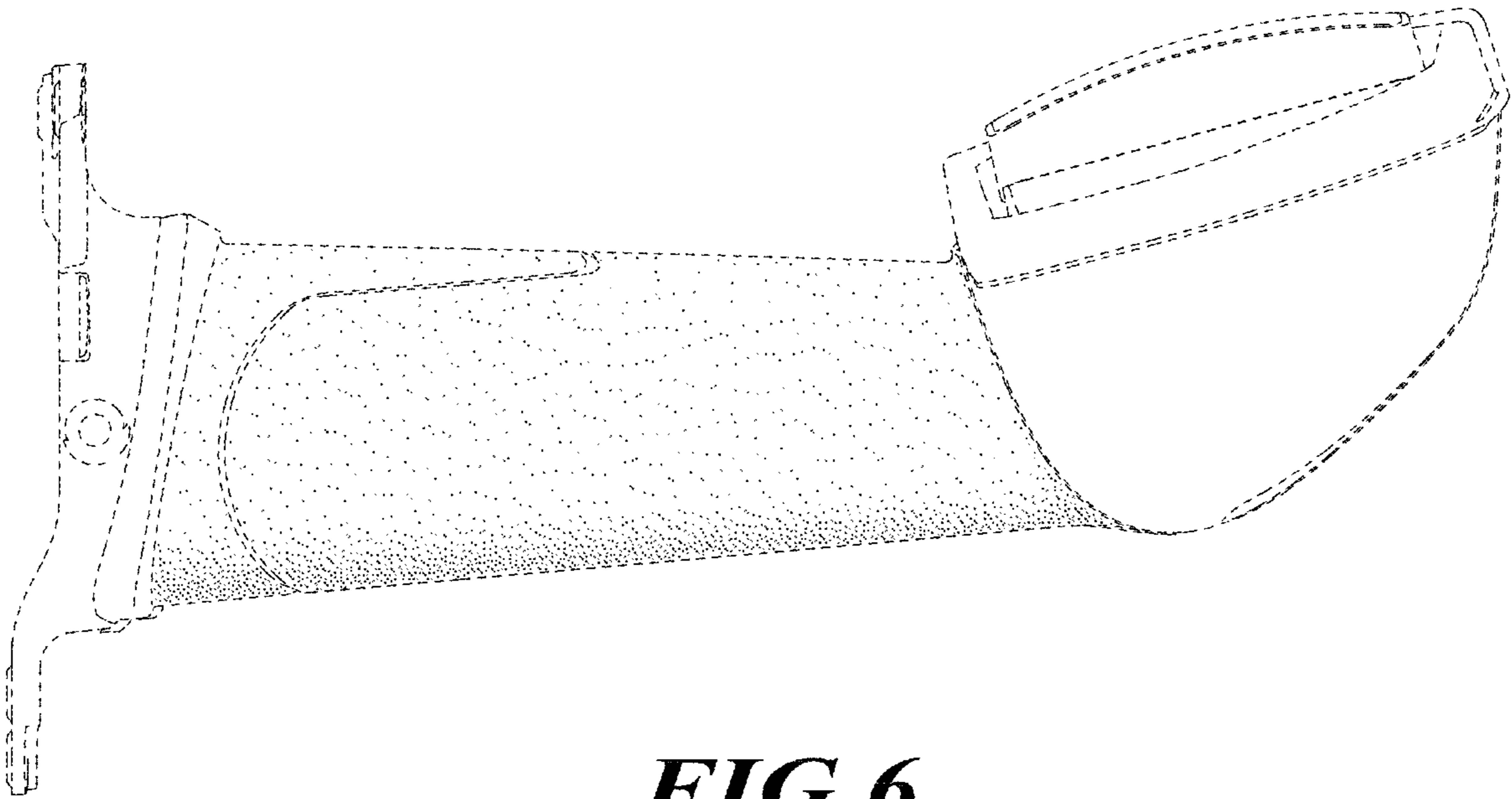
**FIG. 3**



**FIG. 4**

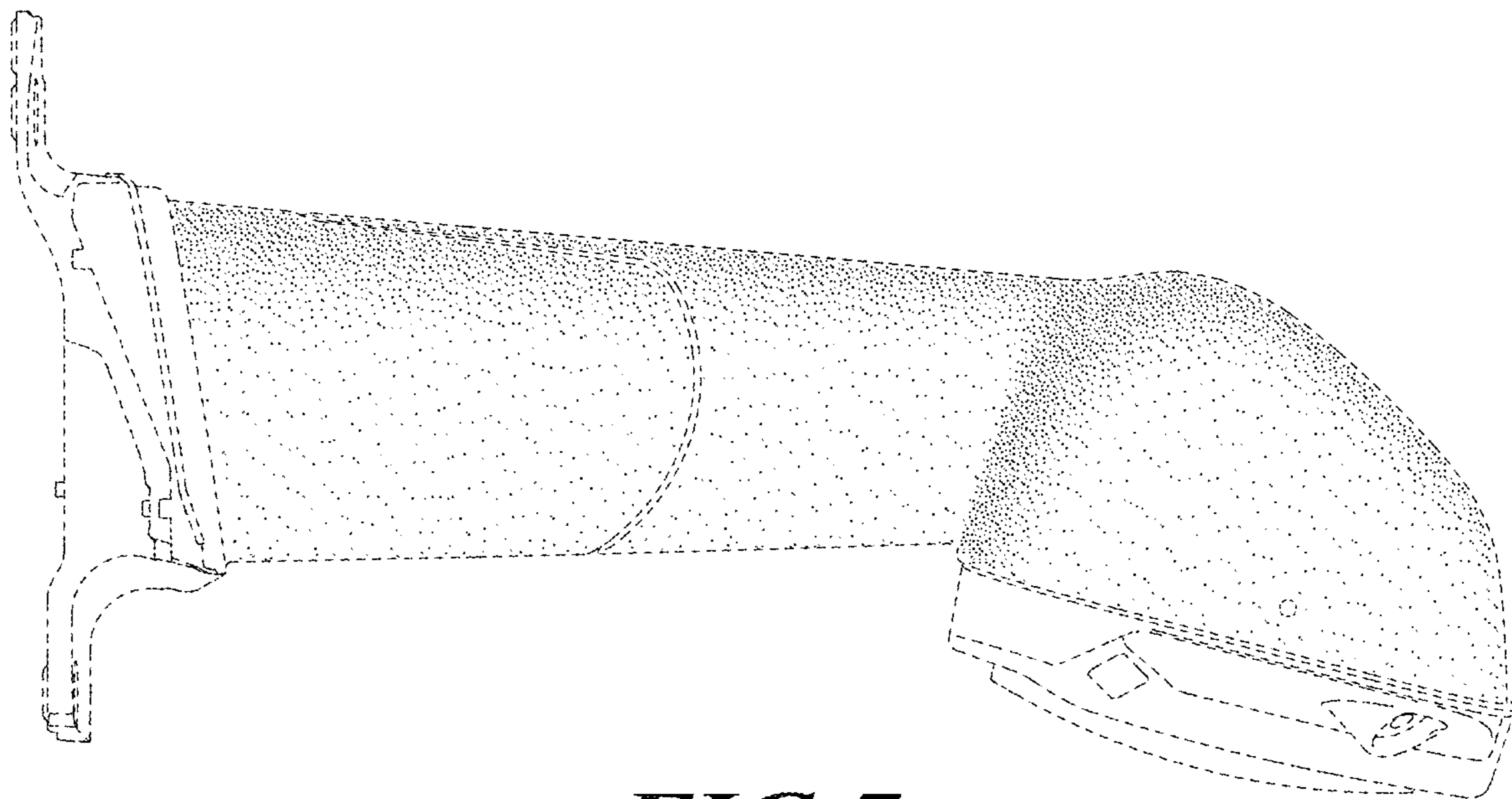


***FIG. 5***



**FIG. 6**





***FIG. 7***