



US00D981317S

(12) **United States Design Patent**
Duan

(10) **Patent No.:** **US D981,317 S**
(45) **Date of Patent:** **** Mar. 21, 2023**

- (54) **WIPER**
- (71) Applicant: **Ningbo Meiyi Packaging Products Co., Ltd., Ningbo (CN)**
- (72) Inventor: **Yangchun Duan, Ningbo (CN)**
- (**) Term: **15 Years**
- (21) Appl. No.: **29/857,557**
- (22) Filed: **Oct. 24, 2022**
- (51) **LOC (14) Cl.** **12-16**
- (52) **U.S. Cl.**
USPC **D12/219**
- (58) **Field of Classification Search**
USPC D12/219, 220
CPC B60S 1/3801; B60S 1/4003; B60S
2001/3815
See application file for complete search history.

- D872,676 S * 1/2020 Depondt D12/219
- D894,813 S * 9/2020 Liang D12/219
- D895,523 S * 9/2020 Tufts, Jr. D12/220
- D896,156 S * 9/2020 Tufts, Jr. D12/220
- D953,234 S * 5/2022 Duan D12/219

* cited by examiner

Primary Examiner — Katrina A Betton
(74) *Attorney, Agent, or Firm* — SciNova IP and
Regulatory Consulting LLC; Jingfeng Song

(57) **CLAIM**

The ornamental design for a wiper, as shown and described.

DESCRIPTION

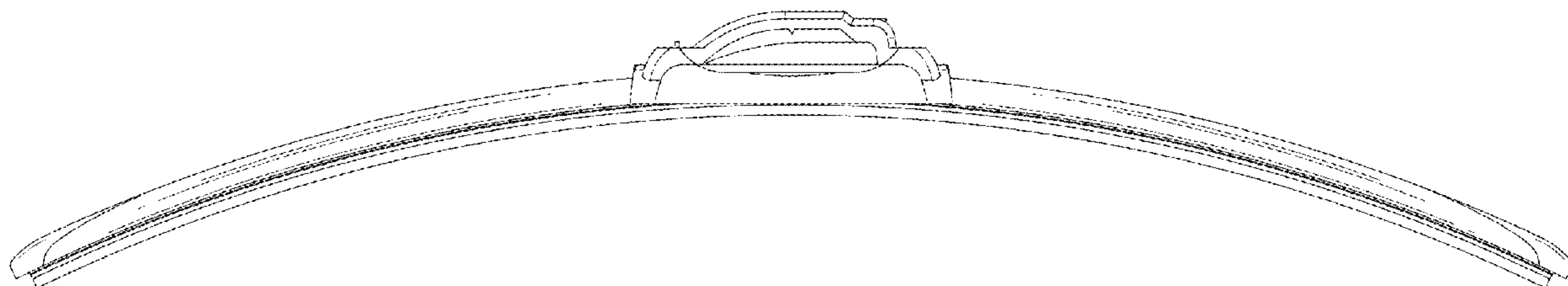
FIG. 1 is a front, right, and top perspective view of a wiper, showing my new design;
 FIG. 2 is a rear, right, and bottom perspective view thereof;
 FIG. 3 is a front elevational view thereof;
 FIG. 4 is a rear elevational view thereof;
 FIG. 5 is a left elevational view thereof;
 FIG. 6 is a right elevational view thereof;
 FIG. 7 is a top plan view thereof;
 FIG. 8 is a bottom plan view thereof;
 FIG. 9 is an enlarged view of the delineated region 9 in FIG. 1;
 FIG. 10 is an enlarged view of the delineated region 10 in FIG. 2; and,
 FIG. 11 is an enlarged view of the delineated region 11 in FIG. 7.
 The dot-dash broken lines in FIGS. 1, 2, 7 and 9-11 delineate portions of the claimed design that are shown on an enlarged scale in FIGS. 9-11 and form no part of the claimed design.

(56) **References Cited**

U.S. PATENT DOCUMENTS

- D685,713 S * 7/2013 Wang D12/219
- D686,557 S * 7/2013 Kwon D12/219
- D687,759 S 8/2013 An
- D704,125 S * 5/2014 Kani D12/219
- D705,155 S 5/2014 Fujiwara
- D706,691 S 6/2014 An
- D740,737 S 10/2015 Hyun et al.
- D799,401 S 10/2017 Lee et al.
- D821,954 S * 7/2018 Hyun D12/219
- D871,305 S * 12/2019 Zeng D12/219

1 Claim, 11 Drawing Sheets



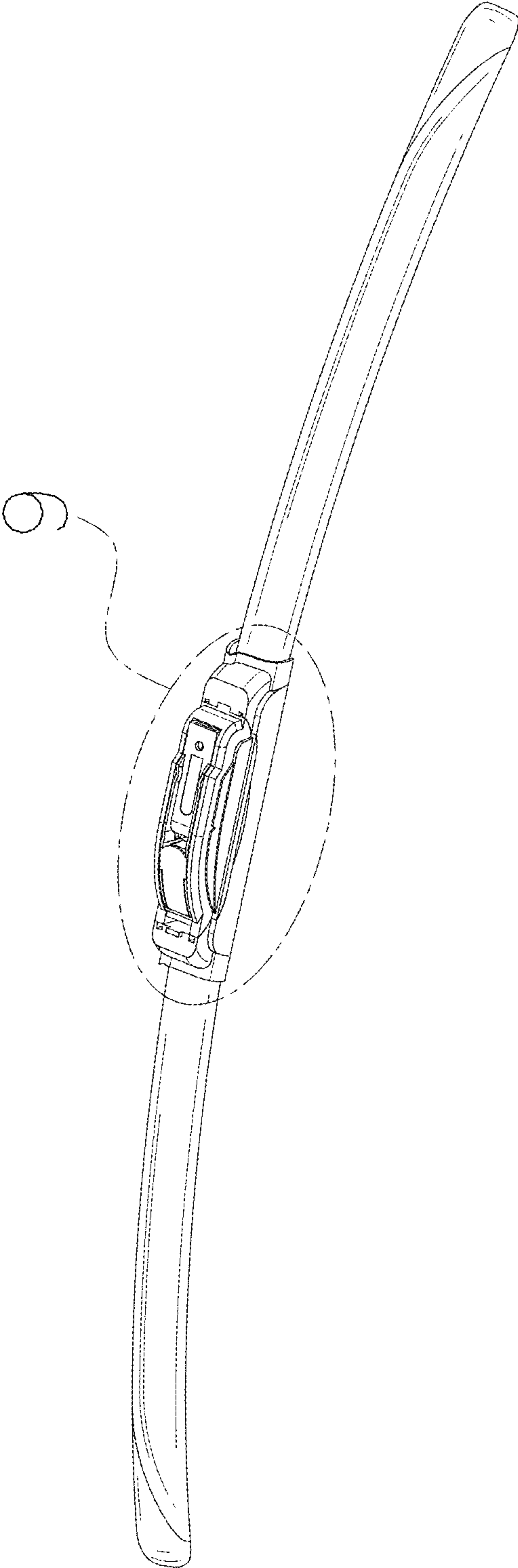


FIG. 1

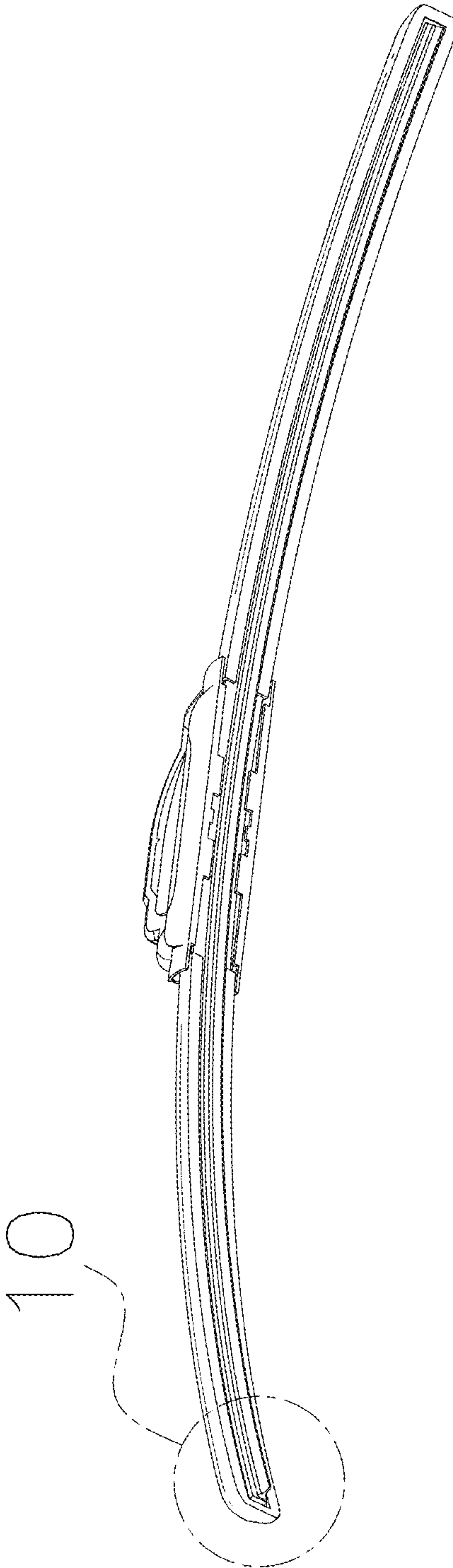


FIG. 2

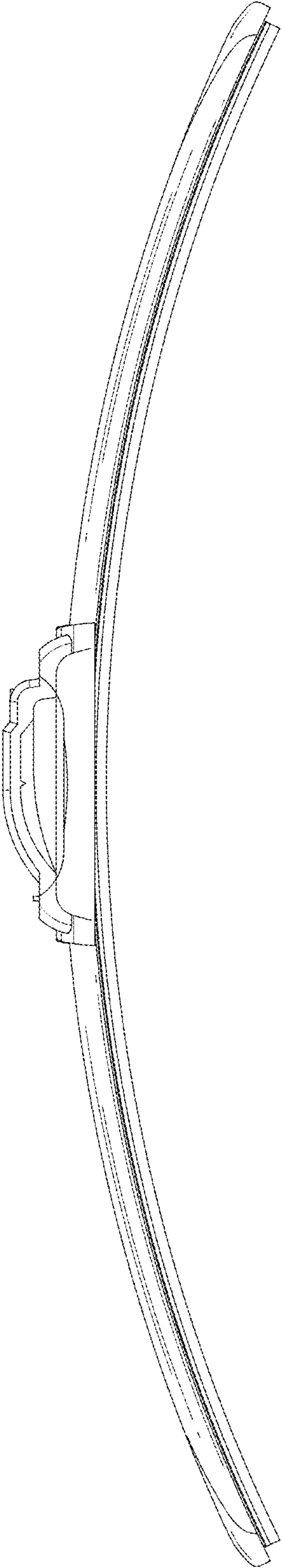


FIG. 3

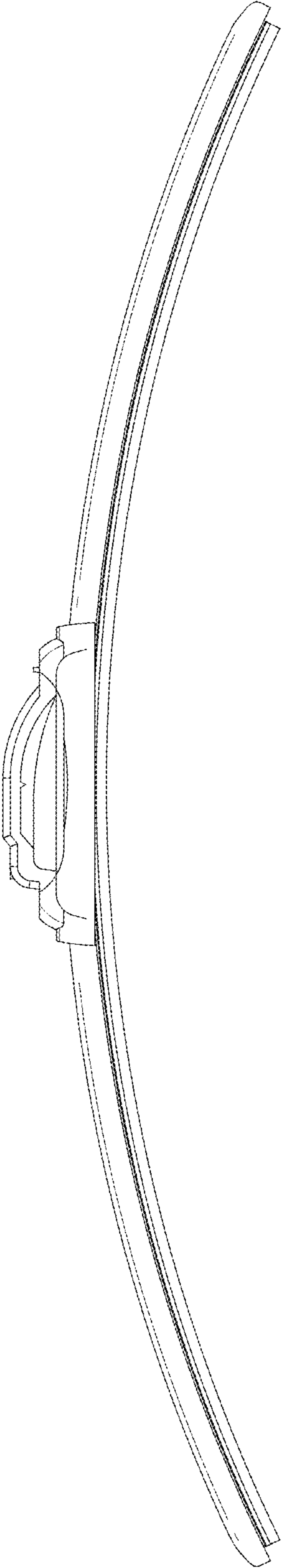


FIG. 4

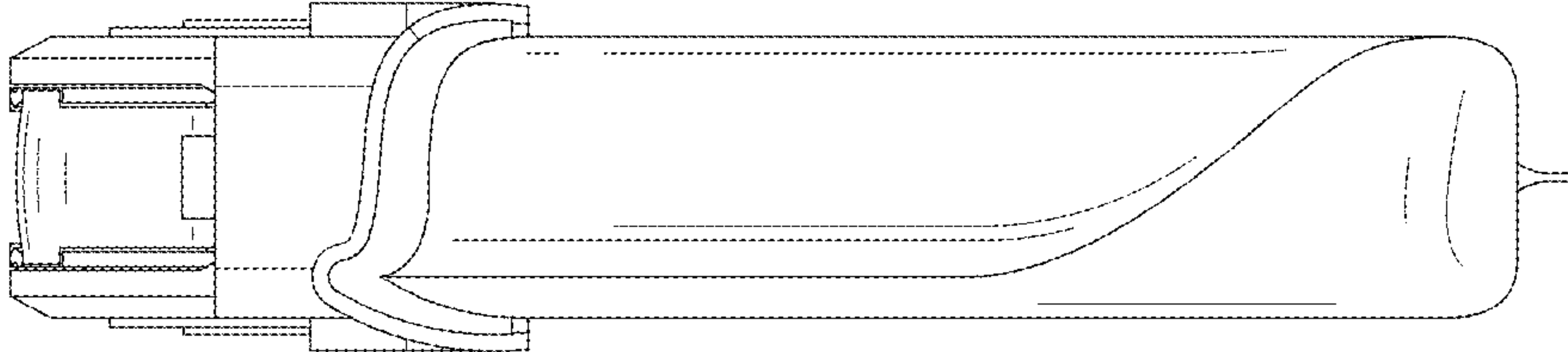


FIG. 5

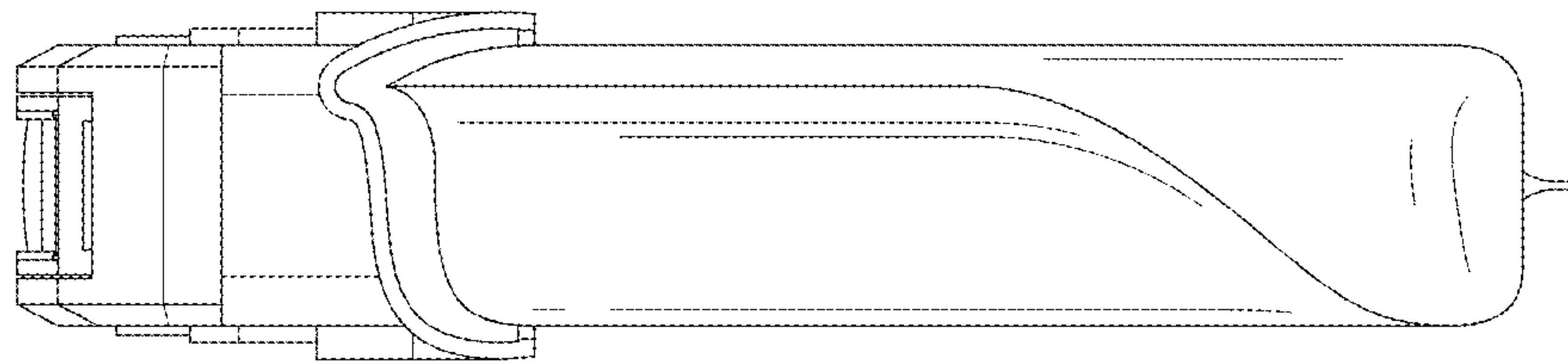


FIG. 6

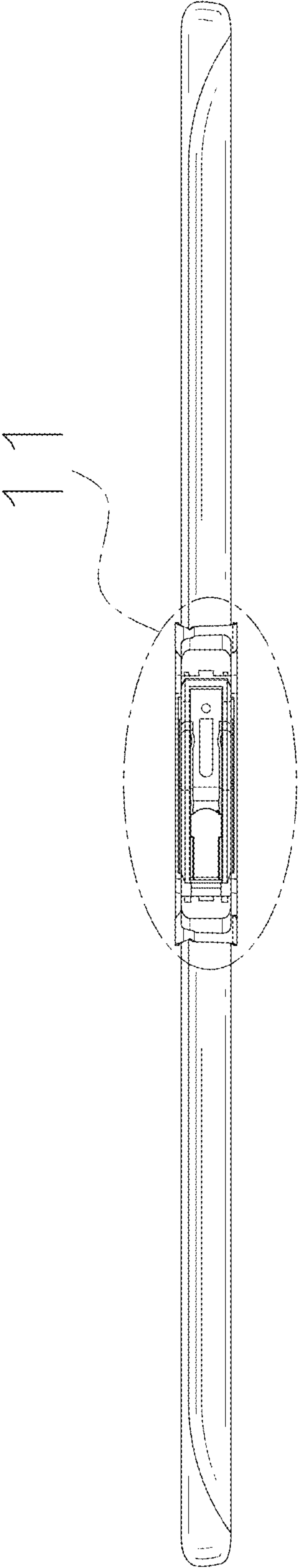


FIG. 7

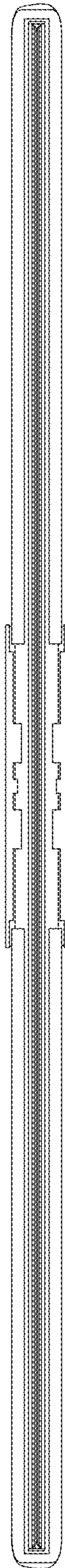


FIG. 8

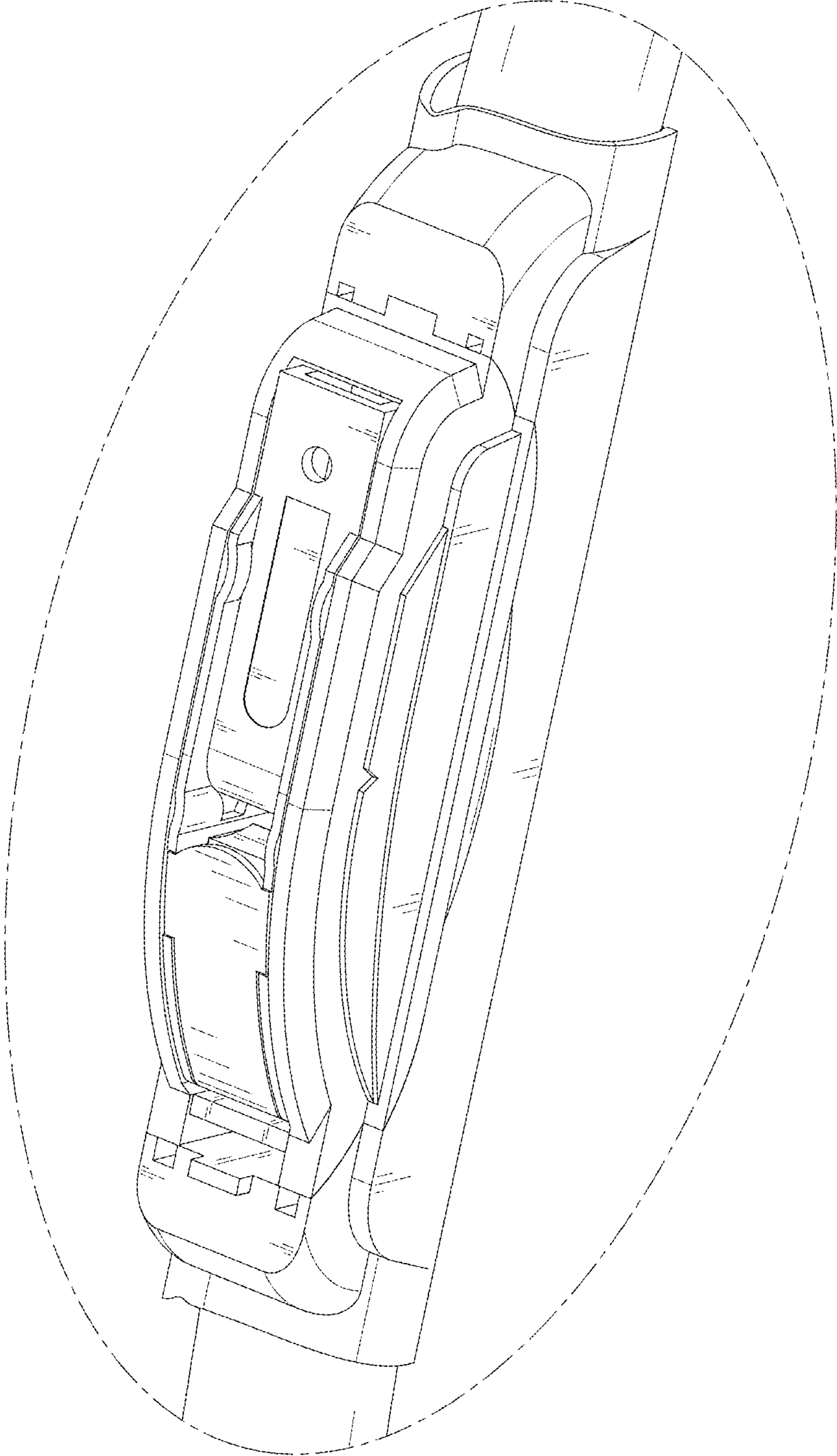


FIG. 9

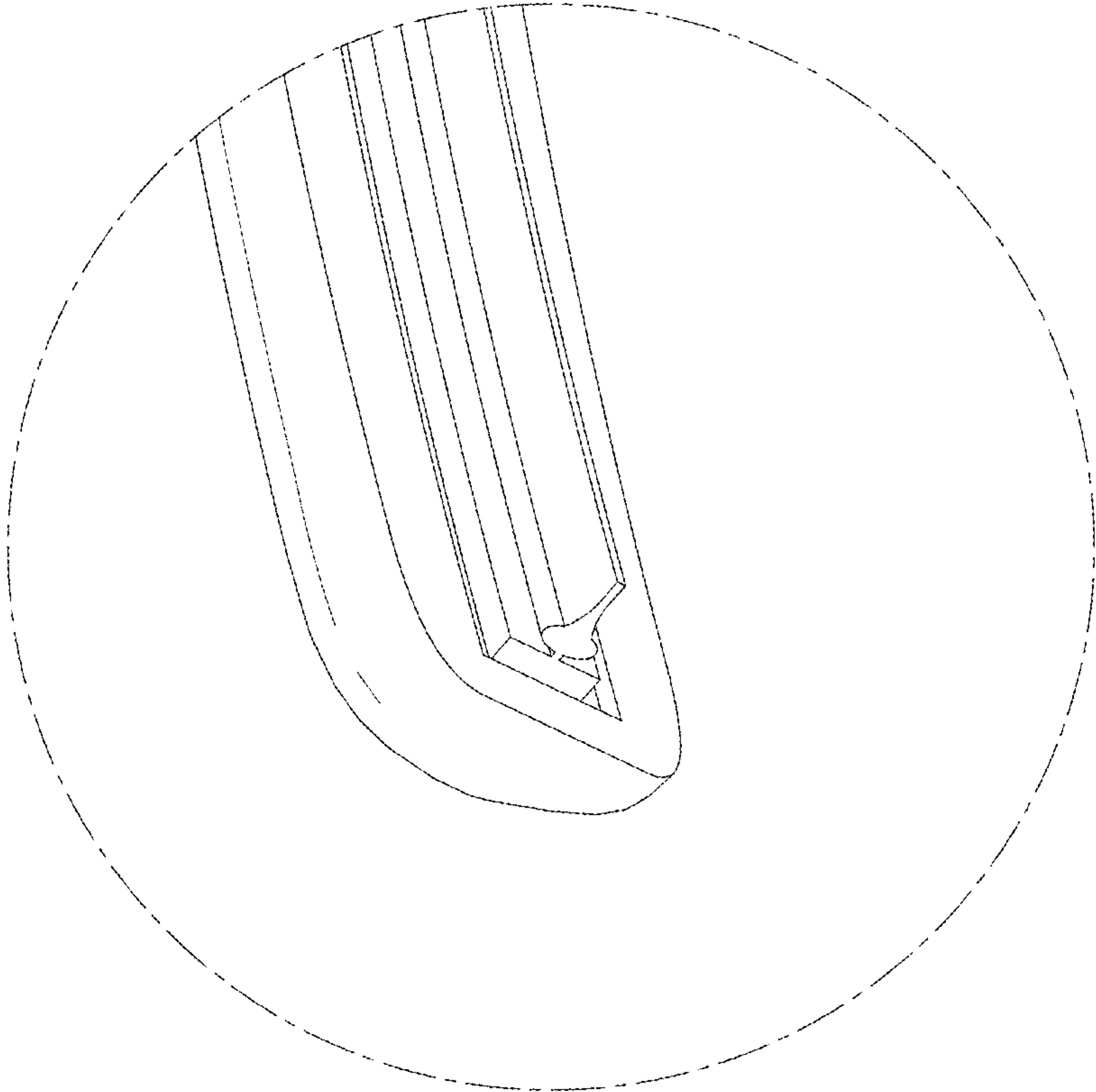


FIG.10

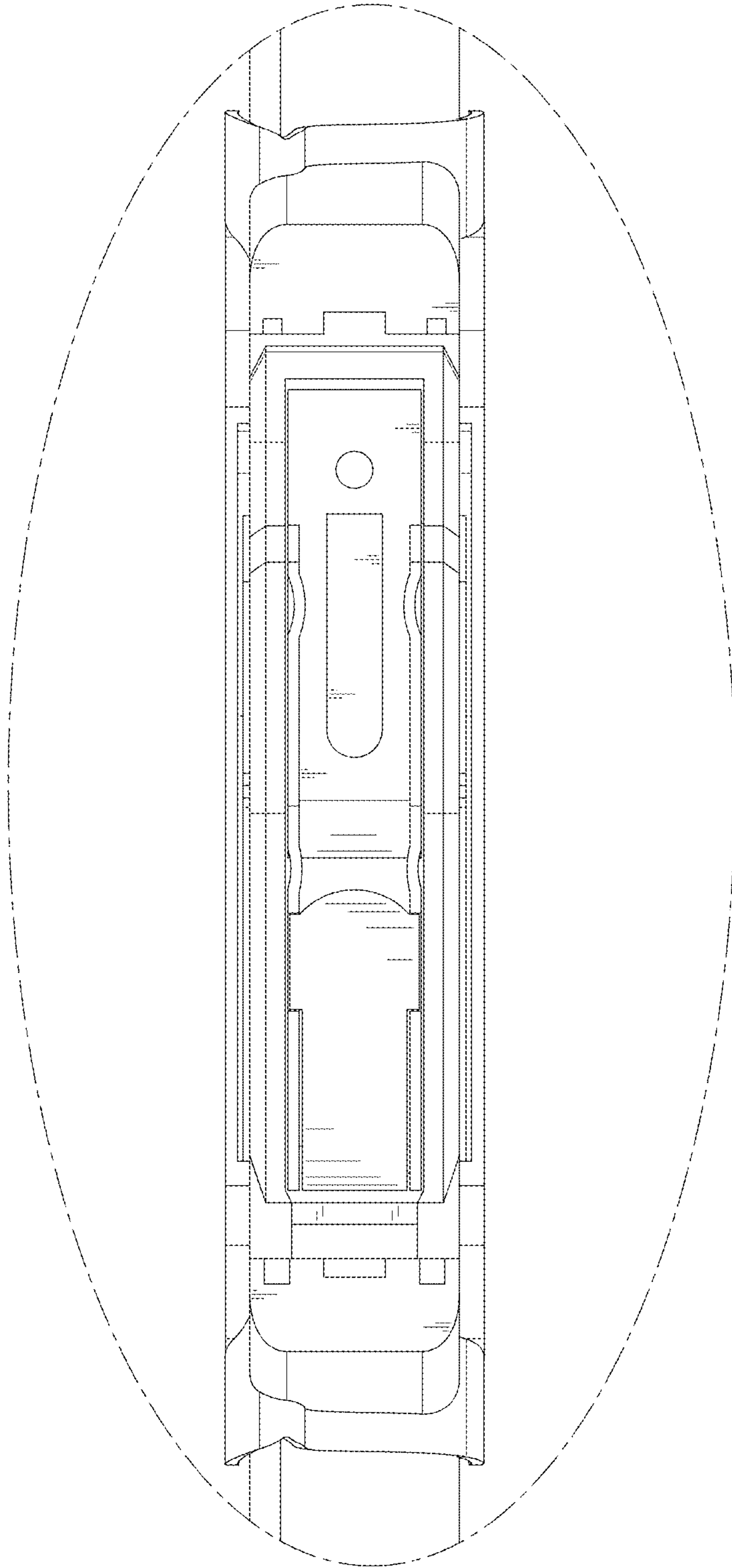


FIG. 11