



US00D981311S

(12) **United States Design Patent**  
**Hernandez**

(10) **Patent No.:** **US D981,311 S**  
(45) **Date of Patent:** **\*\* Mar. 21, 2023**

- (54) **VEHICLE WHEEL**
- (71) Applicant: **GM GLOBAL TECHNOLOGY OPERATIONS LLC**, Detroit, MI (US)
- (72) Inventor: **Pedro Hernandez**, Miami, FL (US)
- (73) Assignee: **GM Global Technology Operations LLC**, Detroit, MI (US)
- (\*\*) Term: **15 Years**
- (21) Appl. No.: **29/775,962**
- (22) Filed: **Mar. 26, 2021**
- (51) **LOC (14) Cl.** ..... **12-16**
- (52) **U.S. Cl.**  
USPC ..... **D12/209**
- (58) **Field of Classification Search**  
USPC ..... D12/204–213; D21/563  
CPC .... B60B 7/00; B60B 7/02; B60B 7/04; B60B 7/06; B60B 3/02; B60B 3/04; B60B 3/06; B60B 3/10; B60B 1/00; B60B 1/08; B60B 1/10; B60B 1/12  
See application file for complete search history.

- D285,675 S 9/1986 Chandler
- D285,676 S 9/1986 Clark
- D285,677 S 9/1986 Menking
- D285,786 S 9/1986 Munson
- D291,879 S 9/1987 Boyle et al.
- D292,389 S 10/1987 Boyle et al.
- D292,390 S 10/1987 Ruzzin
- D292,568 S 11/1987 Cafaro et al.
- D292,569 S 11/1987 Cafaro et al.
- D292,572 S 11/1987 Schell et al.
- D292,574 S 11/1987 Cafaro et al.
- D292,906 S 11/1987 Menking et al.
- D292,907 S 11/1987 Cafaro et al.

(Continued)

**FOREIGN PATENT DOCUMENTS**

- CN 305964546 \* 8/2020
- CN 306261392 \* 1/2021

(Continued)

**OTHER PUBLICATIONS**

ALPHAequipt Command Black Painted, available in TireRack.com, announced Year 2020 [online], [site visited Aug. 18, 2022], Internet URL: [https://www.tirerack.com/wheels/alphaequipt-command-black-painted.\\*](https://www.tirerack.com/wheels/alphaequipt-command-black-painted.*)

*Primary Examiner* — Darlington Ly  
*Assistant Examiner* — D. Ryan Tisdale

(57) **CLAIM**

The ornamental design for a vehicle wheel, as shown and described.

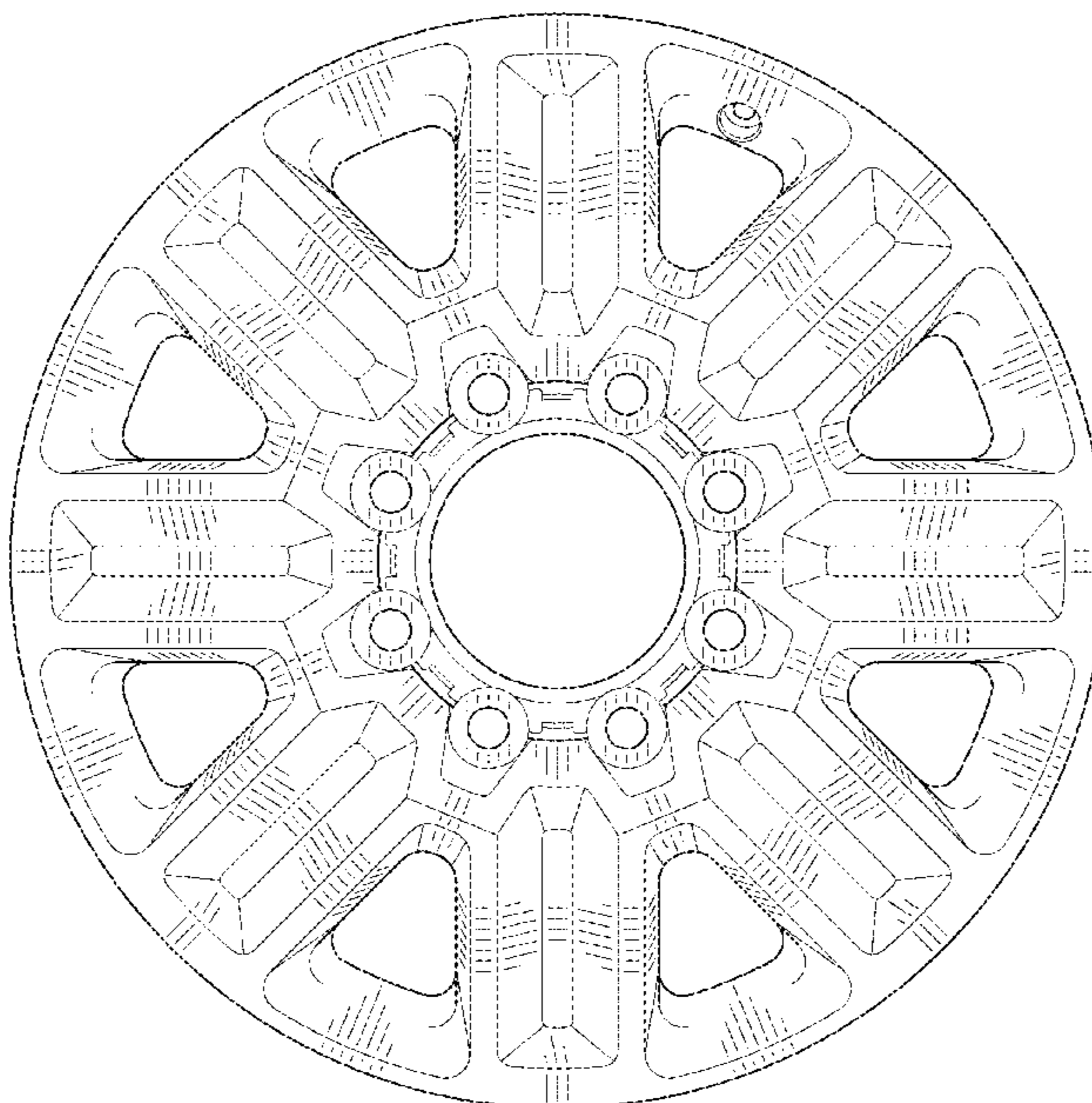
**DESCRIPTION**

FIG. 1 is a front elevational view of the vehicle wheel showing my new design; and, FIG. 2 is a front and left side perspective view thereof.

**1 Claim, 2 Drawing Sheets**

(56) **References Cited**  
**U.S. PATENT DOCUMENTS**

- D258,503 S 3/1981 Semple
- D258,504 S 3/1981 Schinella
- D258,732 S 3/1981 Schinella
- D259,484 S 6/1981 Welburn
- D267,402 S 12/1982 Schinella
- D267,562 S 1/1983 Palmer et al.
- D267,564 S 1/1983 Wright
- D268,105 S 3/1983 Schinella
- D271,012 S 10/1983 Palmer et al.
- D272,897 S 3/1984 Chapman
- D273,781 S 5/1984 Chapman
- D275,192 S 8/1984 Schinella
- D275,193 S 8/1984 Schinella
- D277,661 S 2/1985 Cafaro et al.
- D281,491 S 11/1985 Schinella
- D282,159 S 1/1986 Schell et al.



(56)

References Cited

U.S. PATENT DOCUMENTS

D294,342 S 2/1988 Chapman  
 D298,528 S 11/1988 Burke et al.  
 D300,422 S 3/1989 Schinella  
 D301,865 S 6/1989 McIntosh  
 D301,866 S 6/1989 Chapman et al.  
 D302,004 S 7/1989 Chapman et al.  
 D310,811 S 9/1990 North et al.  
 D310,989 S 10/1990 North et al.  
 D310,990 S 10/1990 Chandler  
 D316,844 S 5/1991 Peloquin  
 D323,806 S 2/1992 Stewart  
 D336,742 S 6/1993 Stewart  
 D345,127 S 3/1994 Stenglein et al.  
 D594,802 S 6/2009 Gustafsson  
 D613,661 S 4/2010 Lee et al.  
 D648,254 S 11/2011 Barry  
 D655,658 S 3/2012 Noone et al.  
 D656,877 S 4/2012 Ikeda et al.  
 D664,081 S 7/2012 Müller  
 D670,634 S 11/2012 Lee  
 D684,516 S 6/2013 Bennion

D700,565 S 3/2014 Gonzalez  
 D735,102 S 7/2015 Swanseger  
 D735,630 S 8/2015 Swanseger  
 D775,049 S 12/2016 Scheer et al.  
 D780,084 S 2/2017 Scheer et al.  
 D836,526 S 12/2018 Skelley  
 D883,893 S \* 5/2020 Johnson ..... D12/211  
 D884,571 S \* 5/2020 Morgenstern ..... D12/209  
 D890,063 S \* 7/2020 Platto ..... D12/209  
 D908,574 S \* 1/2021 Mukti ..... D12/209  
 D915,981 S \* 4/2021 Kangas ..... D12/209  
 D920,879 S \* 6/2021 Hale, Jr. .... D12/209  
 D927,392 S \* 8/2021 Xia ..... D12/209  
 D947,740 S \* 4/2022 Bernoni ..... D12/209  
 D957,303 S \* 7/2022 Sempek ..... D12/211  
 2002/0113485 A1 \* 8/2002 Ketter ..... B60B 7/04  
 301/37.108

FOREIGN PATENT DOCUMENTS

CN 306628763 \* 6/2021  
 GB 8207924000-5000 \* 3/2020

\* cited by examiner

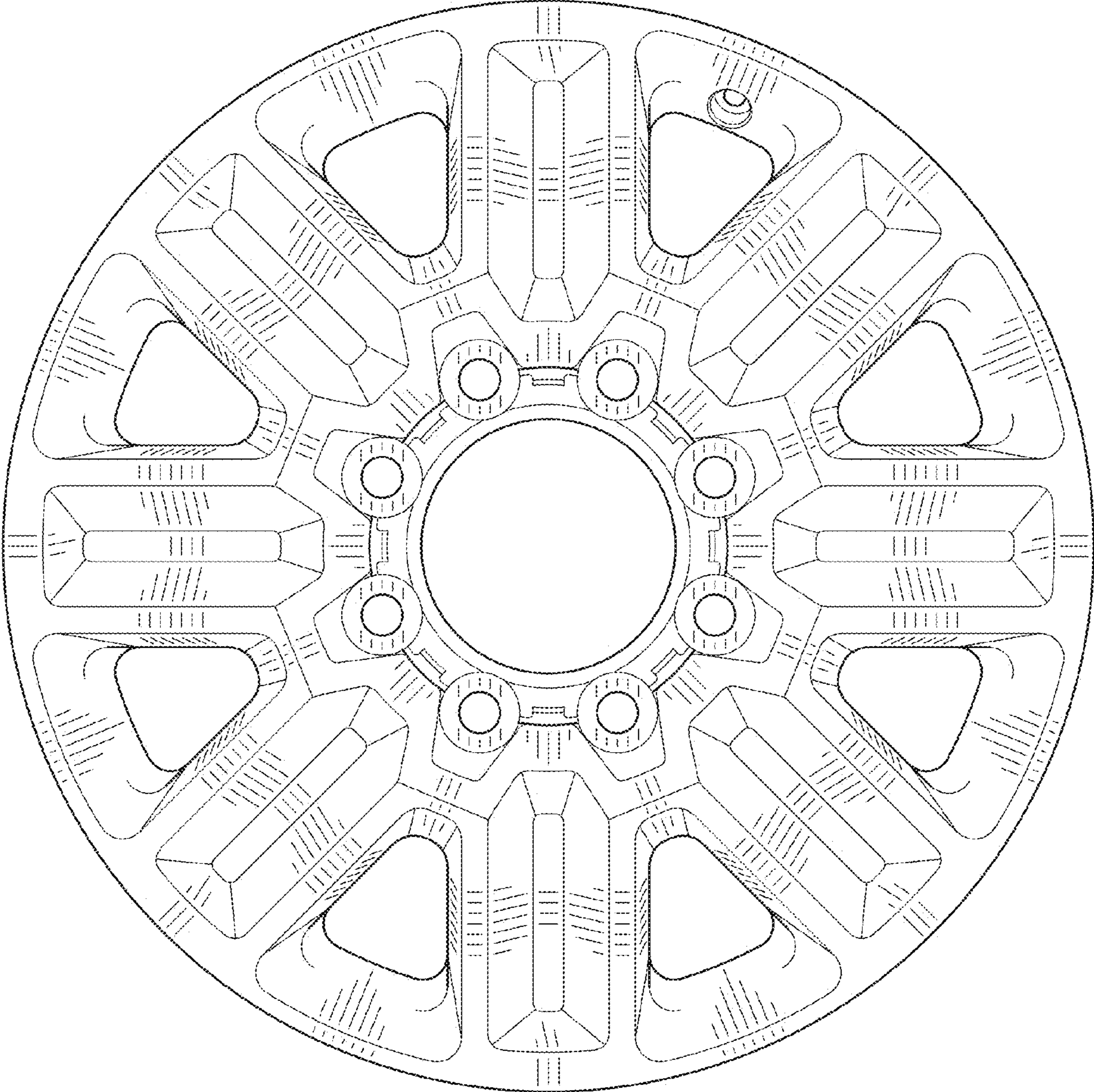


FIG. 1

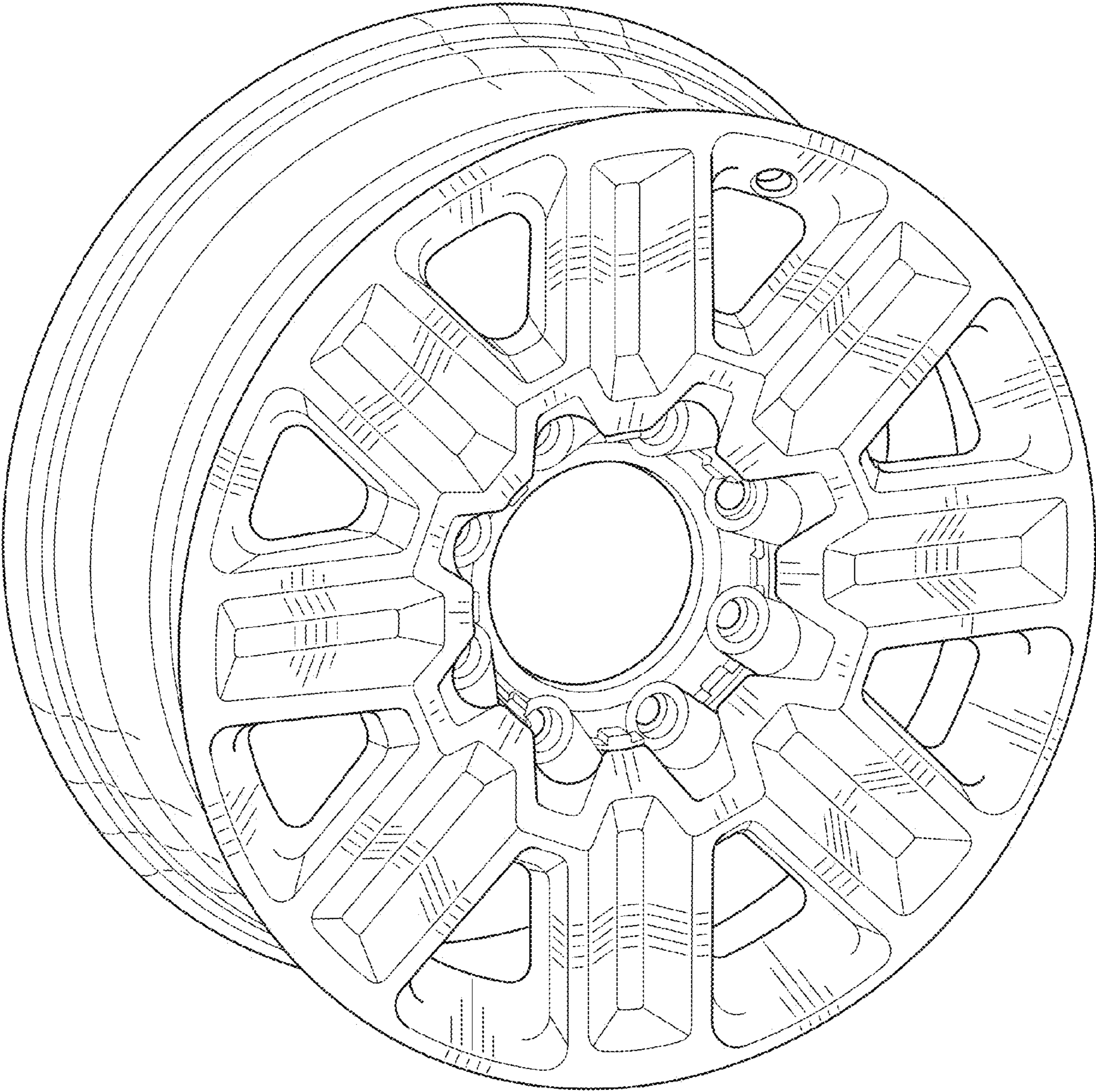


FIG. 2