



US00D981305S

(12) **United States Design Patent**
Kasper

(10) **Patent No.:** **US D981,305 S**
(45) **Date of Patent:** **** Mar. 21, 2023**

(54) **VEHICLE WHEEL**
(71) Applicant: **GM GLOBAL TECHNOLOGY OPERATIONS LLC**, Detroit, MI (US)
(72) Inventor: **Bradley Kasper**, Ferndale, MI (US)
(73) Assignee: **GM Global Technology Operations LLC**, Detroit, MI (US)
(**) Term: **15 Years**

D281,491 S 11/1985 Schinella
D282,159 S 6/1986 Schell et al.
D285,675 S 9/1986 Chandler
D285,676 S 9/1986 Clark
D285,677 S 9/1986 Menking
D285,786 S 9/1986 Munson
D291,879 S 9/1987 Boyle et al.
D292,389 S 10/1987 Boyle et al.
D292,390 S 10/1987 Ruzzin
D292,568 S 11/1987 Cafaro et al.
D292,569 S 11/1987 Cafaro et al.
D292,572 S 11/1987 Schell et al.

(Continued)

(21) Appl. No.: **29/774,855**

FOREIGN PATENT DOCUMENTS

(22) Filed: **Mar. 19, 2021**
(51) **LOC (14) Cl.** **12-16**
(52) **U.S. Cl.**
USPC **D12/209**

CN 304043609 * 2/2017
CN 306861898 * 10/2021

(Continued)

(58) **Field of Classification Search**
USPC D12/204–213; D21/563
CPC B60B 7/00; B60B 7/02; B60B 7/04; B60B 7/06; B60B 3/02; B60B 3/04; B60B 3/06; B60B 3/08; B60B 3/10; B60B 1/00; B60B 1/08; B60B 1/10; B60B 1/12
See application file for complete search history.

OTHER PUBLICATIONS

Pro Comp Series 31 Stryker Matte Black (15x8 / 5x4.5 / -19mm), available in Amazon.com, date first available Jan. 9, 2010 [online], [site visited Oct. 18, 2022], Available from the internet URL: https://www.amazon.com/Stryker-Matte-Black-5x4-5-19mm/dp/B00SH4776Q/ref=sxin_14_pa_sp_search_thematic_sspa?content-id=amzn1.sym.*

(Continued)

(56) **References Cited**

U.S. PATENT DOCUMENTS

D258,503 S 3/1981 Semple
D258,504 S 3/1981 Schinella
D258,732 S 3/1981 Schinella
D259,484 S 6/1981 Welburn
D267,402 S 12/1982 Schinella
D267,562 S 1/1983 Palmer et al.
D267,564 S 1/1983 Wright
D268,105 S 3/1983 Schinella
D271,012 S 10/1983 Palmer et al.
D272,897 S 3/1984 Chapman
D273,781 S 5/1984 Chapman
D275,192 S 8/1984 Schinella
D275,193 S 8/1984 Schinella
D277,661 S 2/1985 Cafaro et al.

Primary Examiner — Darlington Ly
Assistant Examiner — D. Ryan Tisdale

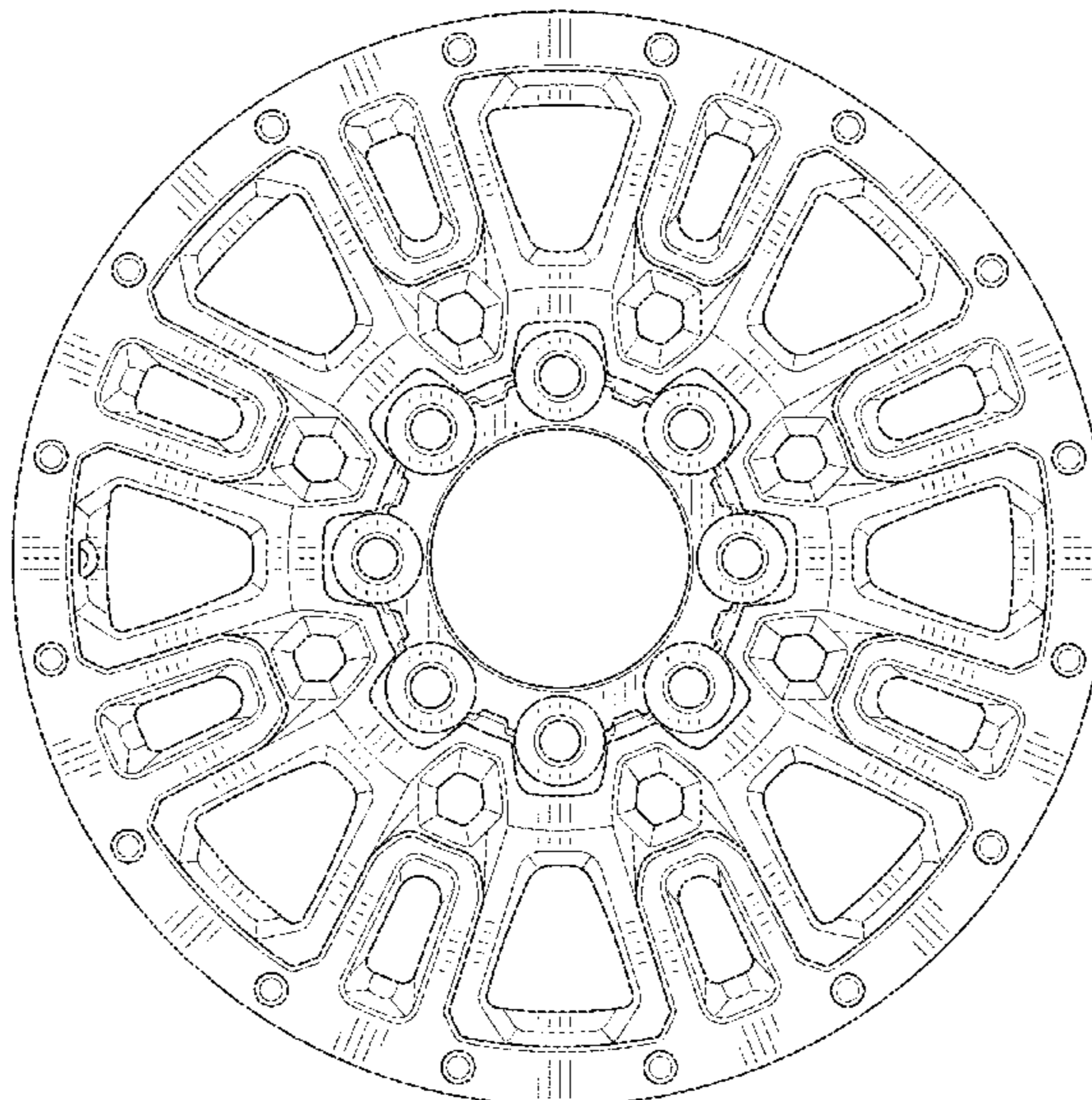
(57) **CLAIM**

The ornamental design for a vehicle wheel, as shown and described.

DESCRIPTION

FIG. 1 is a front elevational view of the vehicle wheel showing my new design; and, FIG. 2 is a front and left side perspective view thereof.

1 Claim, 2 Drawing Sheets



(56)

References Cited

U.S. PATENT DOCUMENTS

D292,574 S 11/1987 Cafaro et al.
 D292,906 S 11/1987 Menking et al.
 D292,907 S 11/1987 Cafaro et al.
 D294,342 S 2/1988 Chapman
 D298,528 S 11/1988 Burke et al.
 D300,422 S 3/1989 Schinella
 D301,865 S 6/1989 McIntosh
 D301,866 S 6/1989 Chapman
 D302,004 S 7/1989 Chapman
 D310,811 S 9/1990 North et al.
 D310,989 S 10/1990 North et al.
 D310,990 S 10/1990 Chandler
 D316,844 S 5/1991 Peloquin et al.
 D323,806 S 2/1992 Stewart
 D336,742 S 6/1993 Stewart
 6,305,755 B1 * 10/2001 Oblizajek B60B 7/008
 301/37.42
 D594,802 S 6/2009 Gustafsson
 D613,661 S 4/2010 Lee et al.
 D648,254 S 11/2011 Barry
 D655,658 S 3/2012 Noone et al.
 D656,877 S 4/2012 Ikeda et al.
 D664,081 S 7/2012 Muller
 D670,634 S 11/2012 Lee
 D684,516 S 6/2013 Bennion
 D700,565 S 3/2014 Gonzalez
 D735,102 S 7/2015 Swanseger
 D735,630 S 8/2015 Swanseger
 D775,049 S 12/2016 Scheer et al.
 D780,084 S 2/2017 Scheer et al.

D836,526 S 12/2018 Skelley
 D870,627 S * 12/2019 Lu D12/209
 D886,704 S * 6/2020 Williams D12/209
 D890,061 S * 7/2020 Platto D12/209
 D893,380 S * 8/2020 Vincent D12/209
 D899,995 S * 10/2020 Platto D12/209
 D904,962 S * 12/2020 Lee D12/209
 D922,928 S * 6/2021 Kong D12/211
 D927,386 S * 8/2021 Lickliter D12/209
 D962,840 S * 9/2022 Moshel D12/209

FOREIGN PATENT DOCUMENTS

CN 307390025 * 6/2022
 EM 003785534-0005 * 11/2017

OTHER PUBLICATIONS

Pro Comp Series 31 Stryker Matte Black (16x8 / 6x5.5 / -6mm), available in Amazon.com, date first available Jan. 9, 2010 [online], [site visited Oct. 18, 2022], Available from the internet URL: [https://www.amazon.com/COMP-Stryker-Matte-Black-6x5-5/dp/B007W0X8XC/ref=sr_1_17_ssapa?crid=3NM8TF86ZYKCU&keywords=rims&qid=1666...*](https://www.amazon.com/COMP-Stryker-Matte-Black-6x5-5/dp/B007W0X8XC/ref=sr_1_17_ssapa?crid=3NM8TF86ZYKCU&keywords=rims&qid=1666...)
 OE Wheels LLC 20 inch Rim Fits Ford Expedition Wheel FR98 20x8.5 Polished Wheel Hollander 3788, available in Amazon.com, date first available May 23, 2018 [online], [site visited Oct. 18, 2022], Available from the internet URL: [https://www.amazon.com/OE-Wheels-Expedition-Navigator-Hollander/dp/B00WYLZF4Y/ref=sr_1_142?c.*](https://www.amazon.com/OE-Wheels-Expedition-Navigator-Hollander/dp/B00WYLZF4Y/ref=sr_1_142?c)

* cited by examiner

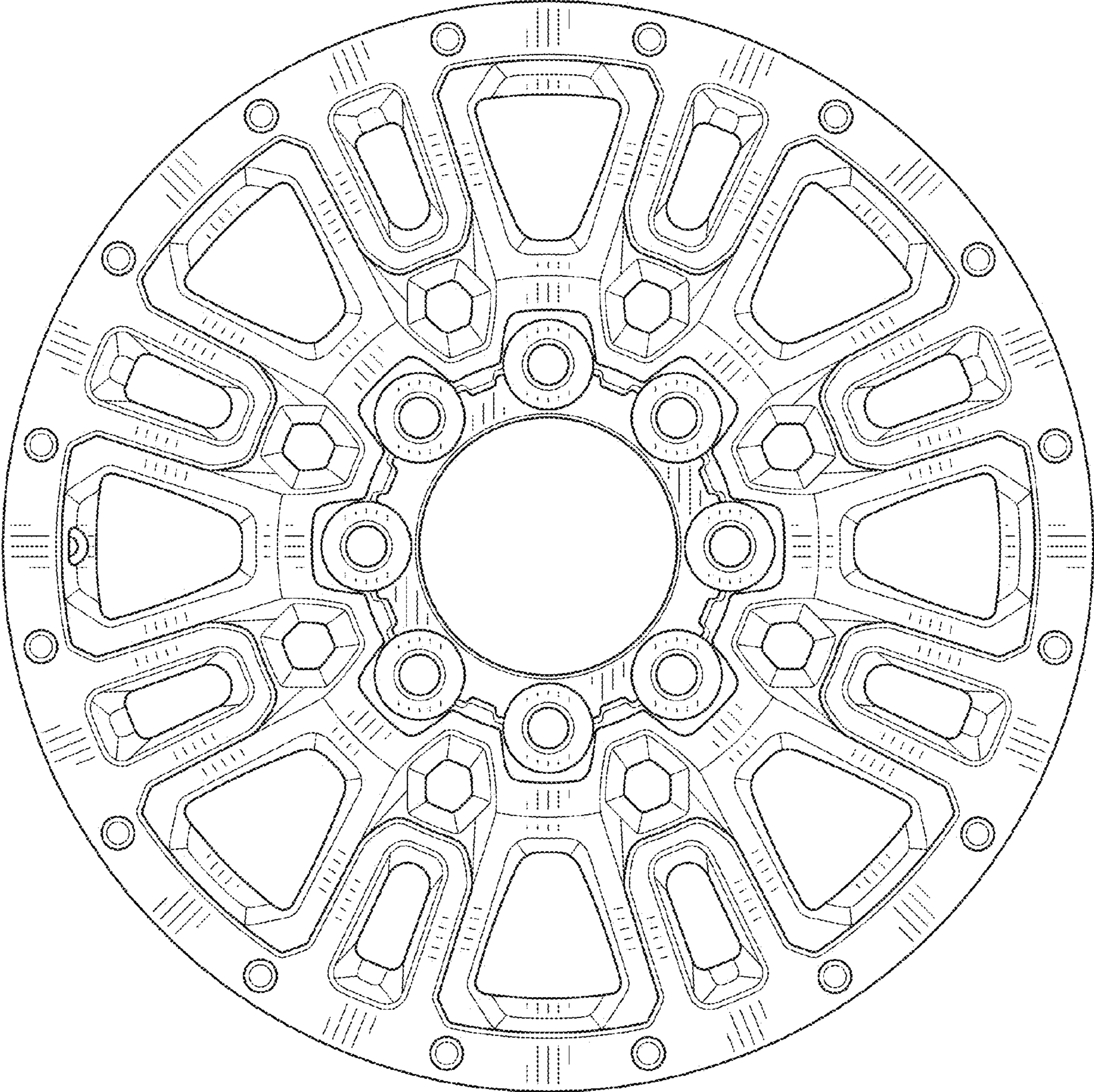


FIG. 1

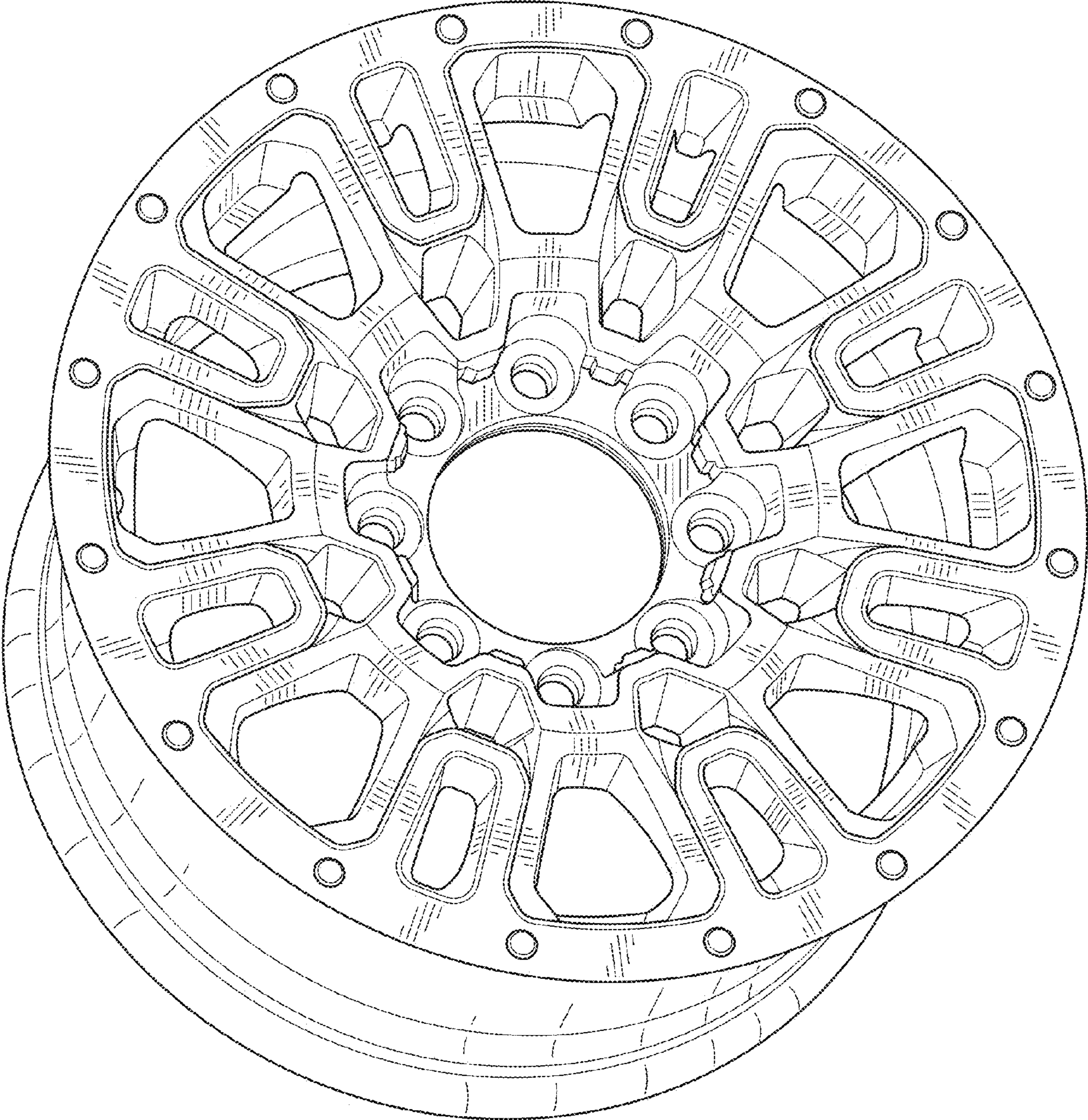


FIG. 2