



US00D981304S

(12) **United States Design Patent** (10) **Patent No.:** **US D981,304 S**
Scenna (45) **Date of Patent:** **** Mar. 21, 2023**

(54) **VEHICLE WHEEL**
(71) Applicant: **GM GLOBAL TECHNOLOGY OPERATIONS LLC**, Detroit, MI (US)
(72) Inventor: **Adam K. Scenna**, Royal Oak, MI (US)
(73) Assignee: **GM Global Technology Operations LLC**, Detroit, MI (US)
(**) Term: **15 Years**

D281,491 S 11/1985 Schinella
D282,159 S 1/1986 Schell et al.
D285,675 S 9/1986 Chandler
D285,676 S 9/1986 Clark
D285,677 S 9/1986 Menking
D285,786 S 9/1986 Munson
D291,879 S 9/1987 Boyle et al.
D292,389 S 10/1987 Boyle et al.
D292,390 S 10/1987 Ruzzin
D292,568 S 11/1987 Cafaro et al.
D292,569 S 11/1987 Cafaro et al.
D292,572 S 11/1987 Schell et al.

(Continued)

(21) Appl. No.: **29/774,725**

(22) Filed: **Mar. 18, 2021**

(51) **LOC (14) Cl.** **12-16**

(52) **U.S. Cl.**
USPC **D12/209**

(58) **Field of Classification Search**
USPC D12/204–213; D21/563
CPC B60B 7/00; B60B 7/02; B60B 7/04; B60B 7/06; B60B 3/02; B60B 3/04; B60B 3/06; B60B 3/08; B60B 3/10; B60B 1/00; B60B 1/08; B60B 1/10; B60B 1/12
See application file for complete search history.

FOREIGN PATENT DOCUMENTS

CN 305160226 * 5/2019
CN 306431517 * 4/2021

(Continued)

OTHER PUBLICATIONS

RTX Black Widow Alloy Wheel/Rim Satin Black Size 17x7.5 Inch Bolt Pattern, available in Amazon.com, date first available May 10, 2019 [online], [site visited Oct. 3, 2022], Available from the internet URL: https://www.amazon.com/RTX-Black-Widow-Wheels-17x7-5/dp/B07QT936P2/ref=sr_1_68?crid=1EQQVY37KYTTD&keywords=rims&qid.*

(Continued)

(56) **References Cited**

U.S. PATENT DOCUMENTS

D258,503 S 3/1981 Semple
D258,504 S 3/1981 Schinella
D258,732 S 3/1981 Schinella
D259,484 S 6/1981 Welburn
D267,402 S 12/1982 Schinella
D267,562 S 1/1983 Palmer et al.
D267,564 S 1/1983 Wright
D268,105 S 3/1983 Schinella
D271,012 S 10/1983 Palmer et al.
D272,897 S 3/1984 Chapman
D273,781 S 5/1984 Chapman
D275,192 S 8/1984 Schinella
D275,193 S 8/1984 Schinella
D277,661 S 2/1985 Cafaro et al.

Primary Examiner — Darlington Ly
Assistant Examiner — D. Ryan Tisdale

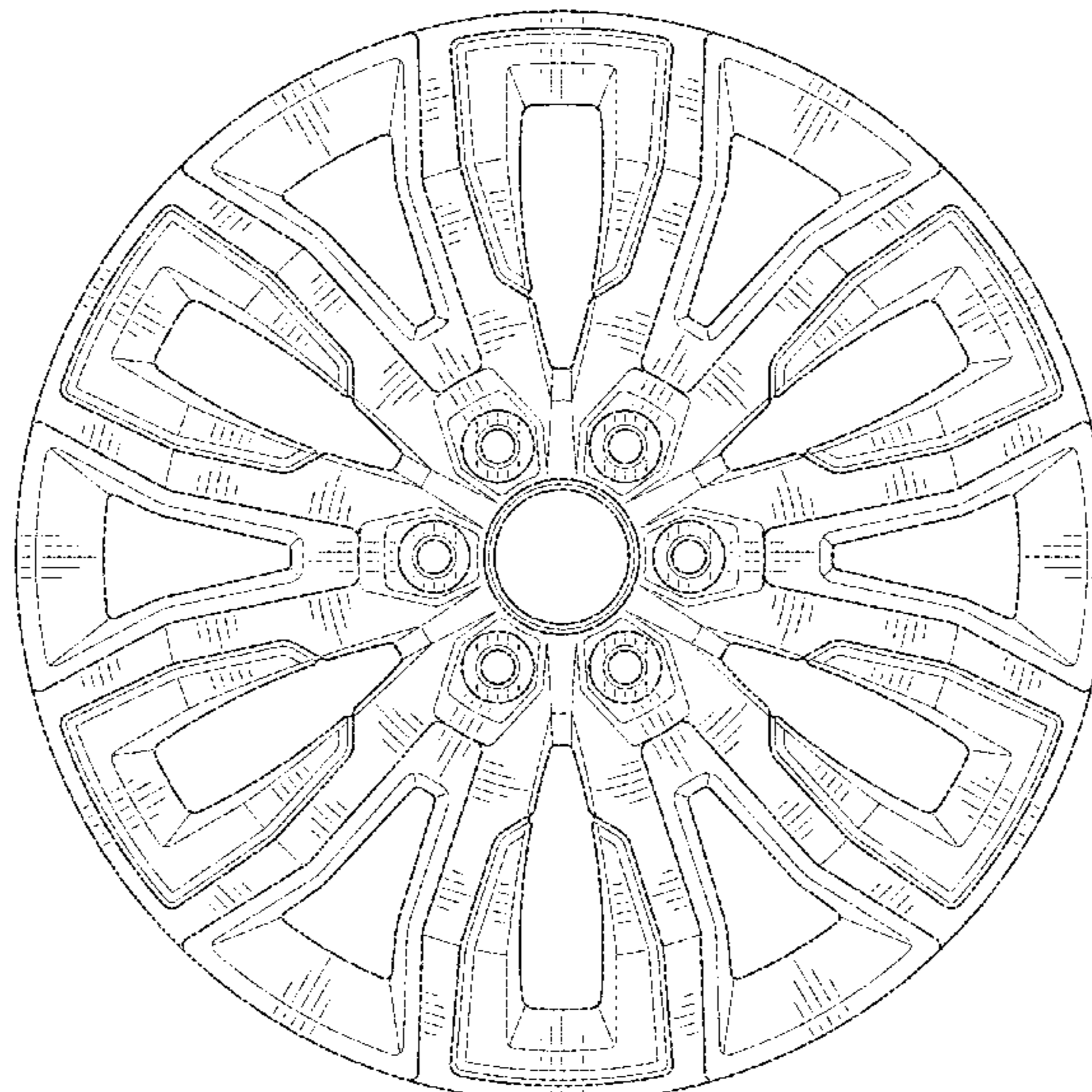
(57) **CLAIM**

The ornamental design for a vehicle wheel, as shown and described.

DESCRIPTION

FIG. 1 is a front elevational view of the vehicle wheel showing my new design; and, FIG. 2 is a front and left side perspective view thereof.

1 Claim, 2 Drawing Sheets



(56)

References Cited

U.S. PATENT DOCUMENTS

D292,574 S 11/1987 Cafaro et al.
 D292,906 S 11/1987 Menking et al.
 D292,907 S 11/1987 Cafaro et al.
 D294,342 S 2/1988 Chapman
 D298,528 S 11/1988 Burke et al.
 D300,422 S 3/1989 Schinella
 D301,865 S 6/1989 McIntosh
 D301,866 S 6/1989 Chapman et al.
 D302,004 S 7/1989 Chapman et al.
 D310,811 S 9/1990 North et al.
 D310,989 S 10/1990 North et al.
 D310,990 S 10/1990 Chandler
 D316,844 S 5/1991 Peloquin et al.
 D323,806 S 2/1992 Stewart
 D336,742 S 6/1993 Stewart
 D594,802 S 6/2009 Gustafsson
 D613,661 S 4/2010 Lee et al.
 D648,254 S 11/2011 Barry
 D655,658 S 3/2012 Noone et al.
 D656,877 S 4/2012 Ikeda et al.
 D664,081 S 7/2012 Müller
 D670,634 S 11/2012 Lee
 D684,516 S 6/2013 Bennion
 8,579,382 B2* 11/2013 Peschiutta B60B 7/18
 301/37.106
 D700,565 S 3/2014 Gonzalez
 D735,102 S 7/2015 Swanseger
 D735,630 S 8/2015 Swanseger
 D775,049 S 12/2016 Scheer et al.

D780,084 S 2/2017 Scheer et al.
 D836,526 S 12/2018 Skelley
 D874,376 S * 2/2020 Henry D12/209
 D875,016 S * 2/2020 Bucher D12/209
 D908,057 S * 1/2021 Mukti D12/209
 D919,537 S * 5/2021 Kaoud D12/209
 D935,973 S * 11/2021 Kangas D12/209
 D942,350 S * 2/2022 Han D12/209
 D942,351 S * 2/2022 Han D12/209
 D944,712 S * 3/2022 Carbis D12/209
 D964,245 S * 9/2022 Schwarzer D12/209

FOREIGN PATENT DOCUMENTS

CN 307531736 * 9/2022
 WO D097694-001 * 3/2018

OTHER PUBLICATIONS

New 17 inch Replacement Alloy Wheel Rim ALY75152U45N Black Machined Face, available in Amazon.com, date first available Apr. 2, 2019 [online], [site visited Oct. 3, 2022], Available from the internet URL: https://www.amazon.com/Replacement-Alloy-Wheel-ALY75152U45N-Machined/dp/B07Q88Z2KQ/ref=sr_1_48_sspa?crid=1EOQVY37KYTT.*
 Fuel Off-Road Rage 8 Gloss Black w/Milled Accent, available in TireRack.com, announced Year 2022 [online], [site visited Oct. 3, 2022], Internet URL: <https://www.tirerack.com/wheels/fuel-off-road-rage-8-gloss-black-w-milled-accent>.*

* cited by examiner

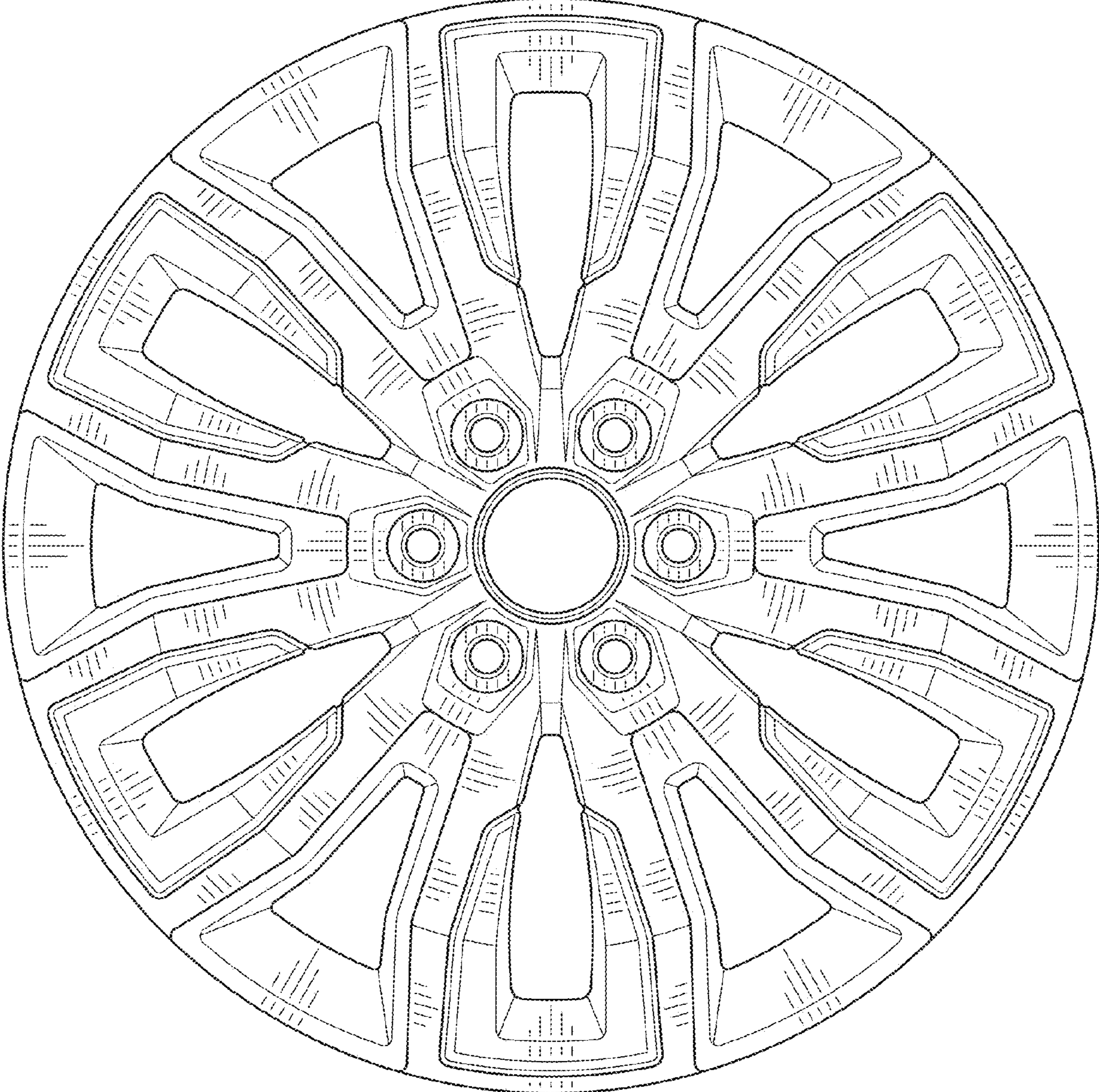


FIG. 1



FIG. 2