



US00D981299S

(12) **United States Design Patent**
Akrapovic et al.

(10) **Patent No.:** **US D981,299 S**
(45) **Date of Patent:** **** Mar. 21, 2023**

(54) **MUFFLER FOR MOTORS**
(71) Applicant: **Igor Akrapovic**, Ljubljana (SI)
(72) Inventors: **Igor Akrapovic**, Ljubljana (SI); **Ermin Kosovel**, Zgornje Gorje (SI)

D915,260 S * 4/2021 Akrapovič F01N 1/003
D12/194
D922,922 S * 6/2021 Akrapovič D12/194
D928,052 S * 8/2021 Akrapovic F01N 1/003
D12/194
D961,473 S * 8/2022 Wu D12/194

(**) Term: **15 Years**

* cited by examiner

(21) Appl. No.: **35/513,631**

Primary Examiner — Michael A. Pratt

(22) Filed: **Aug. 20, 2021**

(74) *Attorney, Agent, or Firm* — Olson & Cepuritis, Ltd.

(80) **Hague Agreement Data**

Int. Filing Date: **Aug. 20, 2021**
Int. Reg. No.: **DM/218795**
Int. Reg. Date: **Aug. 20, 2021**
Int. Reg. Pub. Date: **Feb. 11, 2022**

(57) **CLAIM**

The ornamental design for a muffler for motors, as shown and described.

(30) **Foreign Application Priority Data**

Feb. 23, 2021 (EM) 008442354-0001

DESCRIPTION

(51) **LOC (14) Cl.** **12-16**

(52) **U.S. Cl.**
USPC **D12/194**

(58) **Field of Classification Search**
USPC D12/194
CPC .. F01N 13/082; F01N 13/001; F01N 2260/20;
F01N 2260/00

1. Muffler for motors

1.1 : Perspective

1.2 : Right

1.3 : Left

1.4 : Top

1.5 : Bottom

1.6 : Front

1.7 : Back

1.8 : Perspective

1.9 : Perspective

The reflections shown in reproductions of the design are disclaimed.

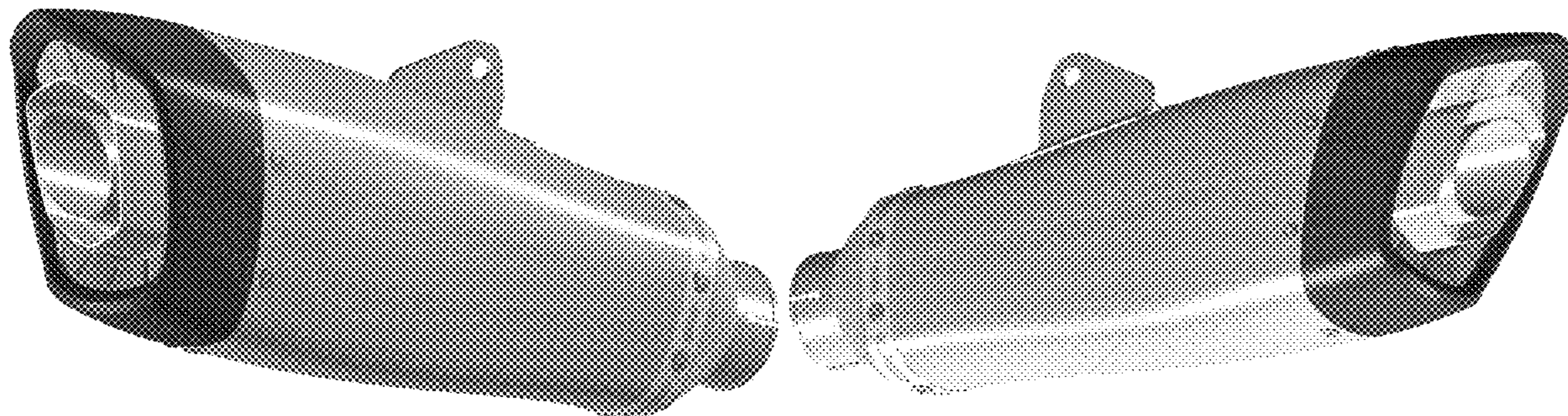
See application file for complete search history.

(56) **References Cited**

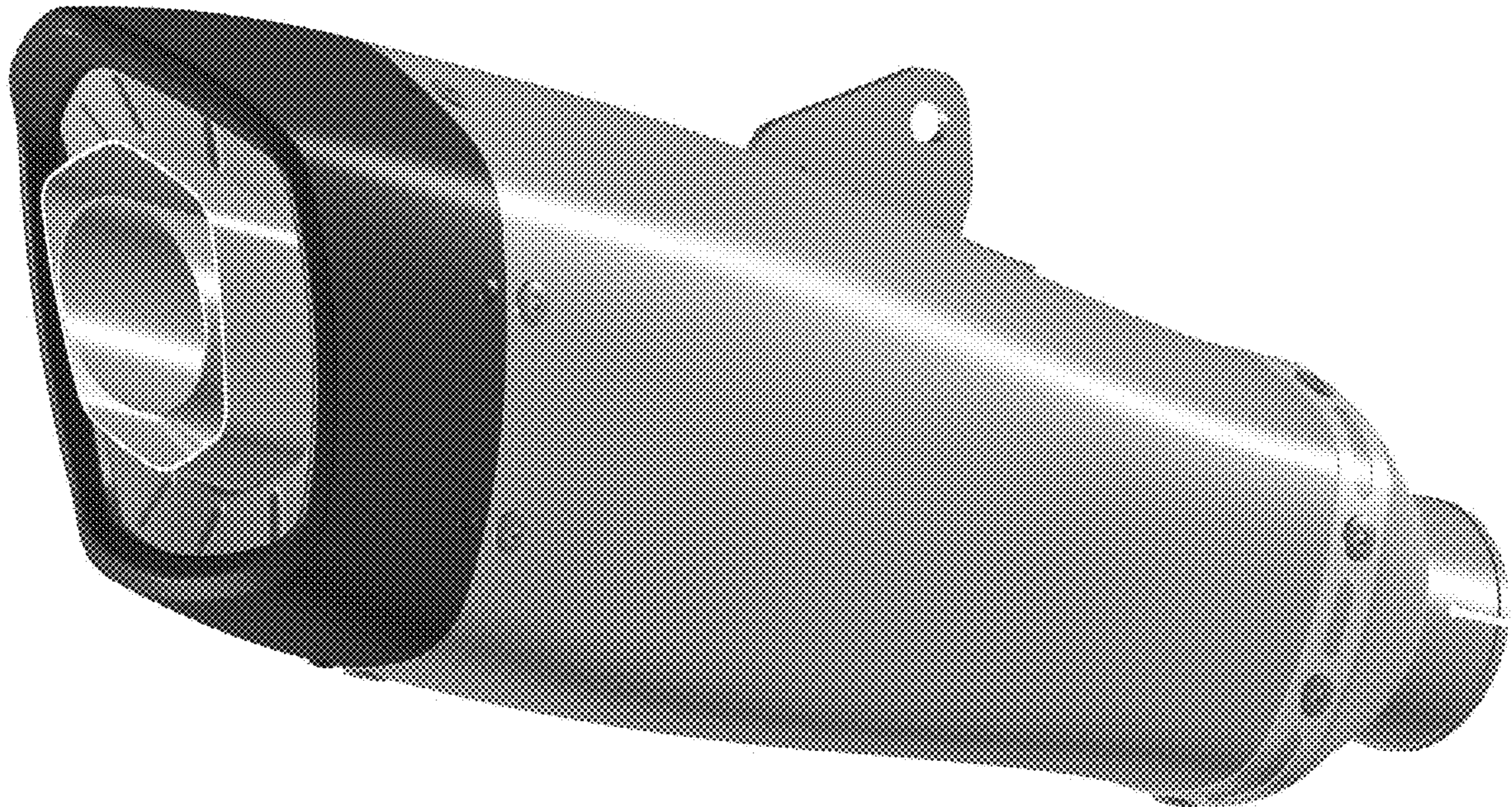
U.S. PATENT DOCUMENTS

D804,381 S * 12/2017 Akrapovic D12/194
D804,382 S * 12/2017 Akrapovic D12/194

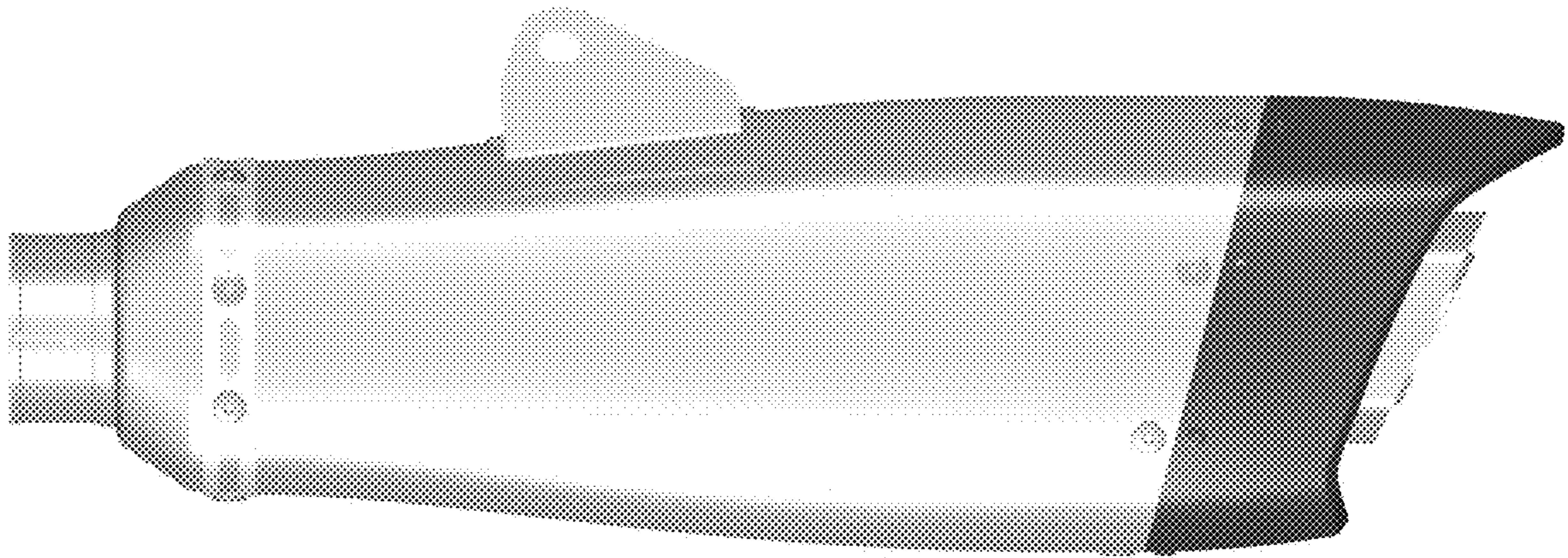
1 Claim, 9 Drawing Sheets



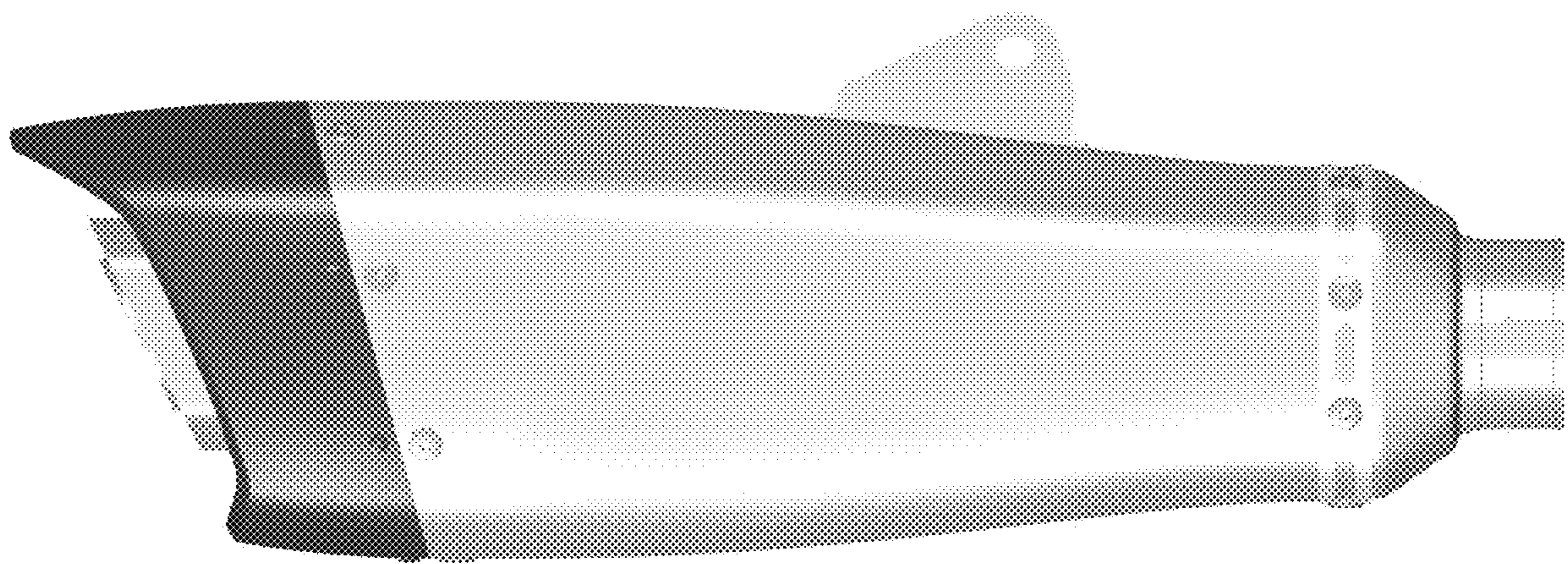
1.1



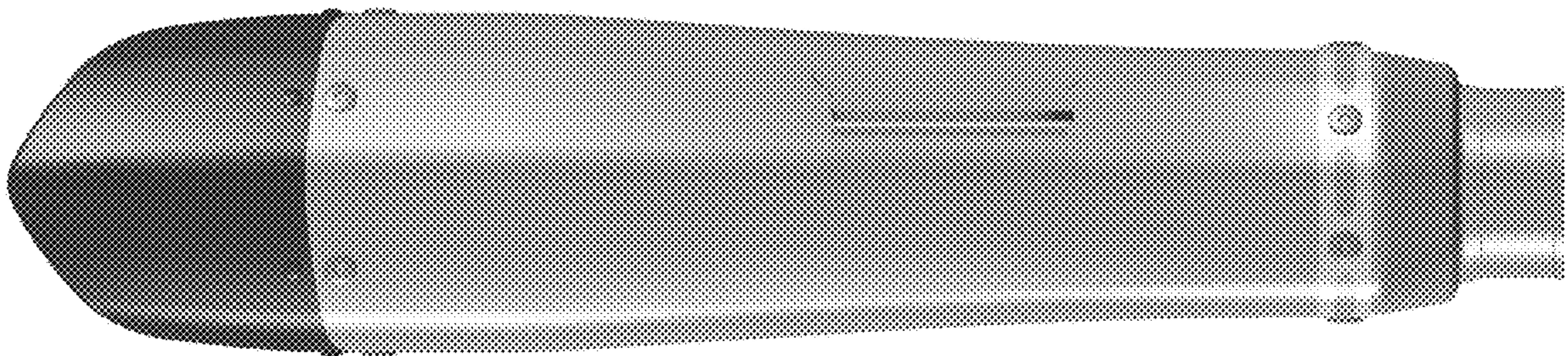
1.2



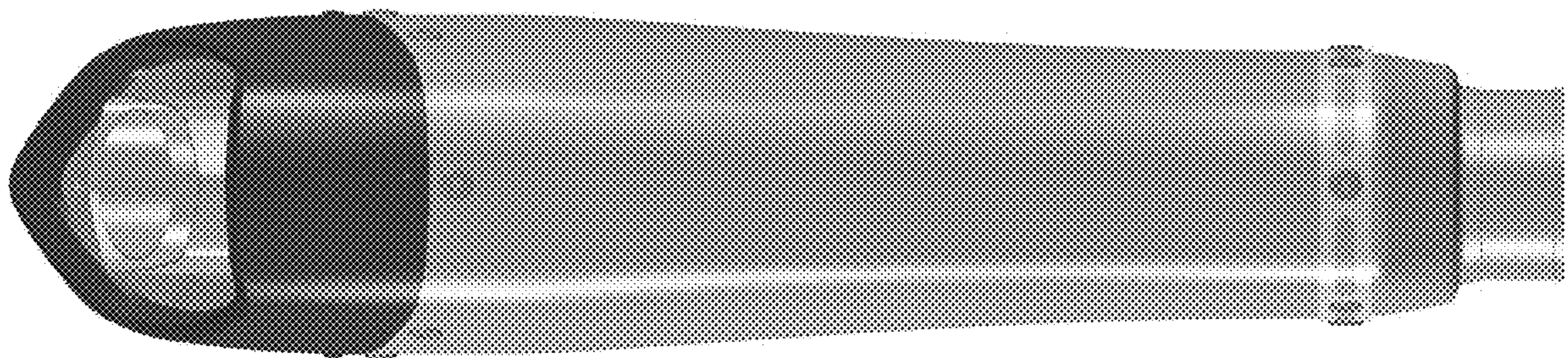
1.3



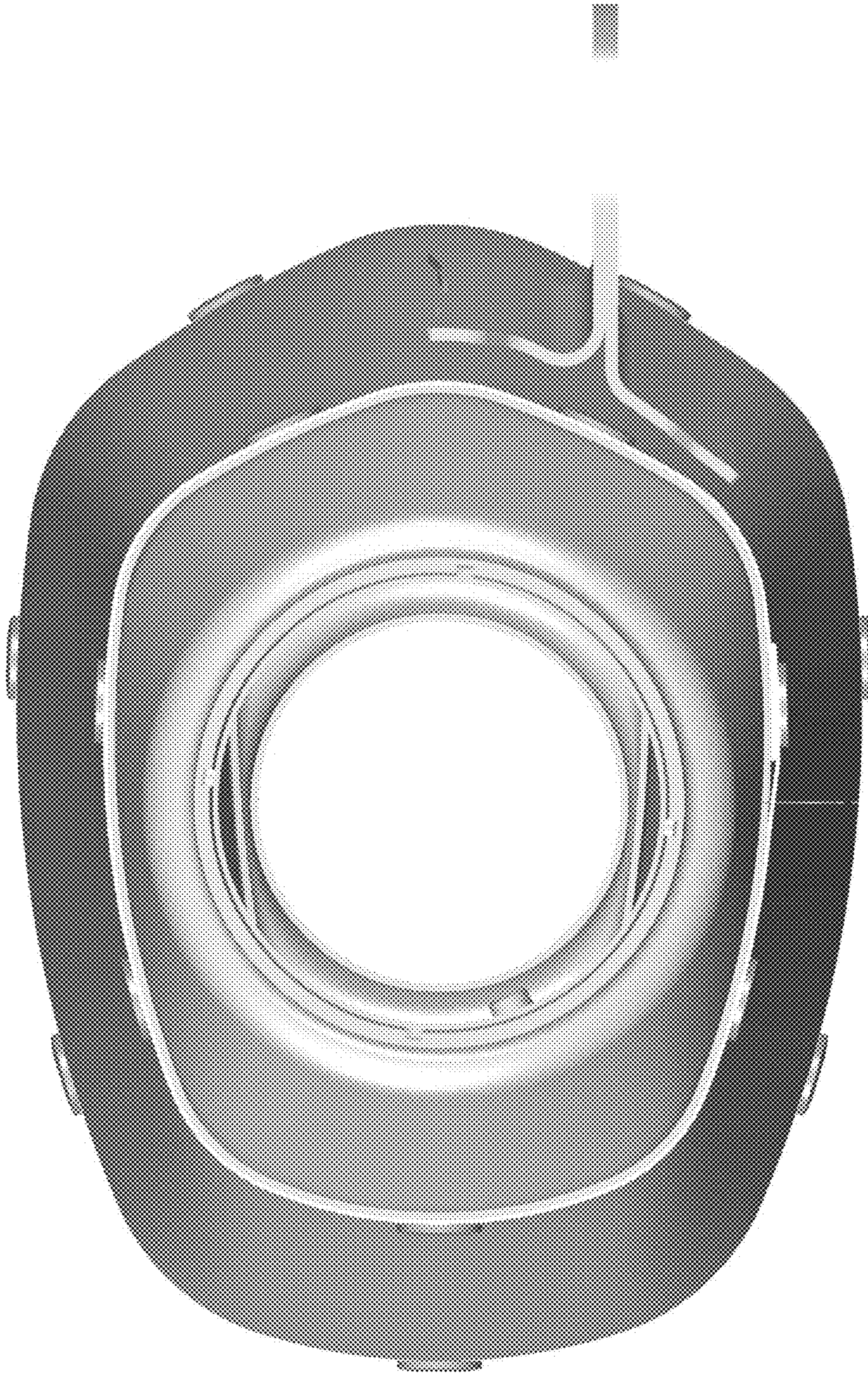
1.4



1.5



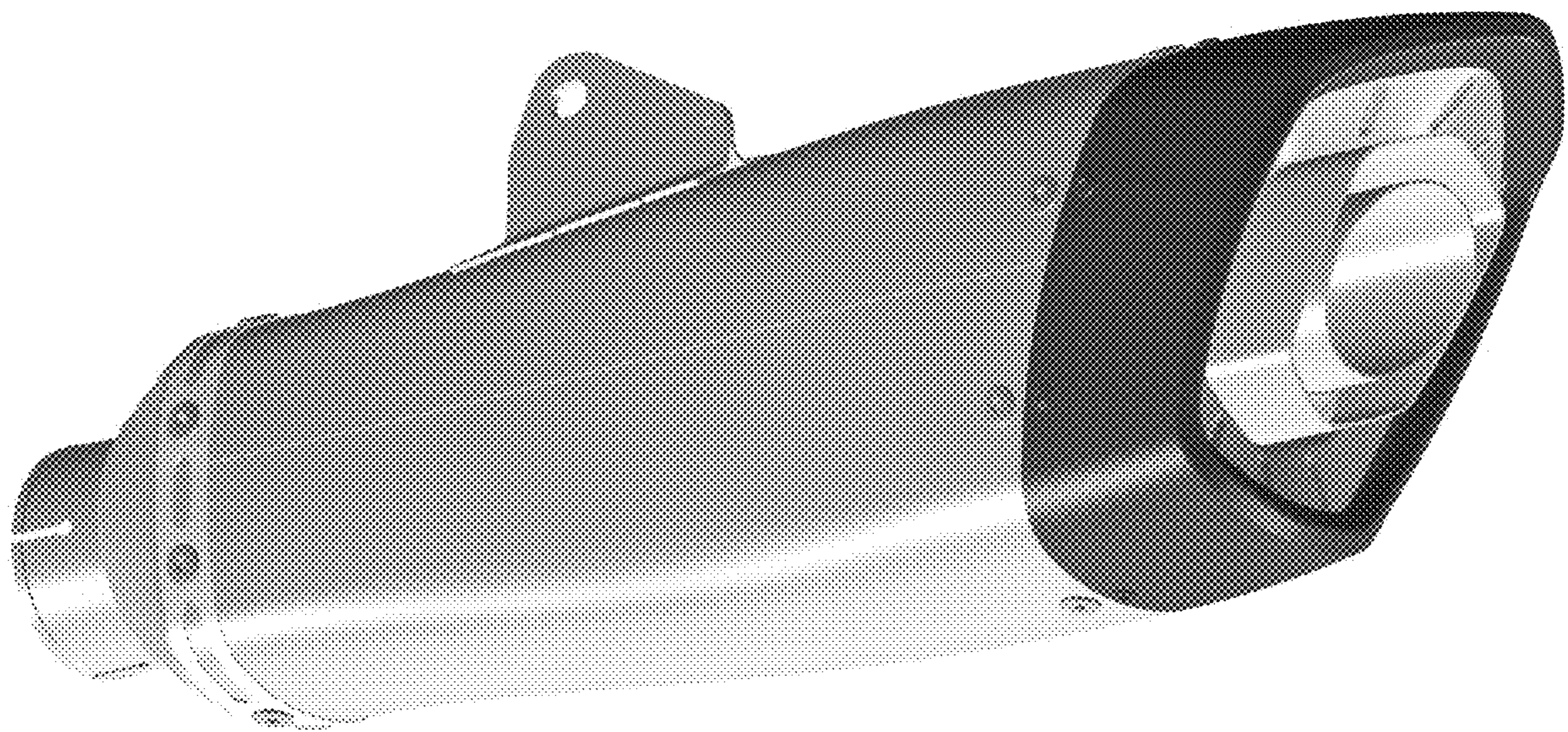
1.6



1.7



1.8



1.9

