



US00D981298S

(12) **United States Design Patent** (10) **Patent No.:** **US D981,298 S**
Ruiz (45) **Date of Patent:** **** Mar. 21, 2023**

(54) **VEHICLE VENTED HOOD**
(71) Applicant: **GM GLOBAL TECHNOLOGY OPERATIONS LLC**, Detroit, MI (US)
(72) Inventor: **Gary W. Ruiz**, Royal Oak, MI (US)
(73) Assignee: **GM Global Technology Operations LLC**, Detroit, MI (US)

D735,627 S 8/2015 Smith et al.
D737,743 S 9/2015 Duff et al.
D739,317 S 9/2015 McMahan et al.
D740,187 S 10/2015 Jamieson
D743,309 S 11/2015 Thole et al.
D743,857 S 11/2015 McMahan et al.
D762,149 S 7/2016 Kim et al.
D777,620 S 1/2017 Pevovar et al.
D777,621 S 1/2017 Kim
D777,622 S 1/2017 Kozub et al.

(Continued)

(**) Term: **15 Years**

(21) Appl. No.: **29/771,301**

(22) Filed: **Feb. 22, 2021**

(51) **LOC (14) Cl.** **12-08**

(52) **U.S. Cl.**
USPC **D12/173**; D21/443; D21/434

(58) **Field of Classification Search**
USPC D12/173, 86, 91, 93, 98, 162, 163, 164,
D12/165, 166, 167, 169, 171, 190, 196,
D12/314; D21/443, 434, 581
CPC B60R 1/06; B60R 9/06
See application file for complete search history.

(56) **References Cited**

U.S. PATENT DOCUMENTS

D436,563 S * 1/2001 Delashaw D12/173
D484,835 S * 1/2004 Chiang D12/173
D592,113 S 5/2009 Ward
D626,476 S 11/2010 Loeb
D666,540 S 9/2012 Karras et al.
D669,403 S 10/2012 Gifford
D679,227 S 4/2013 Schmeckpeper
D683,675 S 6/2013 Munson et al.
D686,120 S 7/2013 Thurber
D686,121 S 7/2013 McCabe et al.
D699,643 S 2/2014 Chae
D706,185 S 6/2014 Mackay
D707,595 S 6/2014 Kavaja
D710,269 S 8/2014 O'Donnell et al.
D718,683 S 12/2014 Thole et al.
D718,684 S 12/2014 Thole et al.

OTHER PUBLICATIONS

“Key Parts 0856-043 Steel Cowl Induction Hood” amazon.com, post Published May 18, 2015. Retrieved Dec. 12, 2022. Available online at URL: https://www.amazon.com/Parts-0856-043-Steel-Cowl-Induction/dp/B019XDWAIY/ref=asc_df_B019XDWAIY/?tag=hyprod-20&linkCode=df0&hvadid=312026024613&hvpos=&hvnrtw=g&hvr (Year: 2015).*

Primary Examiner — Christian P. McLean
Assistant Examiner — Jessica Lynn Devilbiss

(57) **CLAIM**

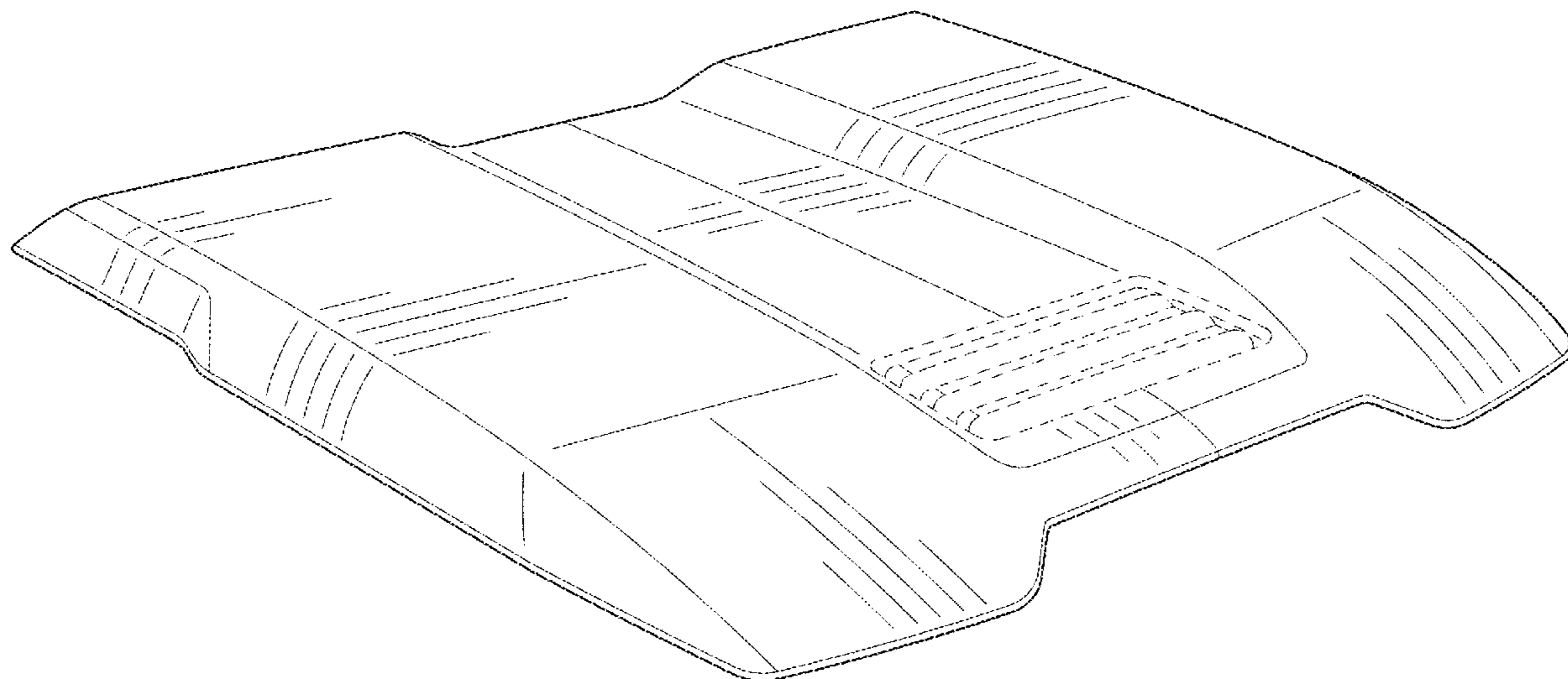
The ornamental design for a vehicle vented hood, as shown and described.

DESCRIPTION

FIG. 1 is a front and right perspective view of a vehicle vented hood showing my new design;
FIG. 2 is a front elevation view of the vehicle vented hood of FIG. 1;
FIG. 3 is a left elevation view thereof;
FIG. 4 is a right elevation view thereof;
FIG. 5 is a top view thereof;
FIG. 6 is a back elevation view thereof; and,
FIG. 7 is a bottom view thereof.

The broken lines in the drawings depict portions of the vehicle vented hood that form no part of the claimed design.

1 Claim, 7 Drawing Sheets



(56)

References Cited

U.S. PATENT DOCUMENTS

D778,215 S	2/2017	Kozub et al.	
D778,792 S	2/2017	Kim	
D786,750 S	5/2017	Lee et al.	
D787,992 S	5/2017	Lee	
D787,993 S	5/2017	McCabe et al.	
D789,260 S	6/2017	Smith et al.	
D797,603 S *	9/2017	Noone	D12/91
D804,372 S	12/2017	Kozub	
D812,531 S	3/2018	Im	
D812,532 S	3/2018	Jeong	
D813,120 S	3/2018	Kim	
D813,121 S	3/2018	Swanseger	
D813,757 S	3/2018	Kozub	
D813,758 S	3/2018	Gonzales	
D813,759 S	3/2018	Perkins	
D815,573 S	4/2018	Whitla et al.	
D815,574 S	4/2018	Mainville	
D818,903 S	5/2018	Zipfel et al.	
D818,904 S	5/2018	Jeong	
D818,906 S	5/2018	McMahan	
D818,907 S	5/2018	Whitla et al.	
D824,824 S	8/2018	Kim	
D824,825 S	8/2018	Loeb	
D828,247 S	9/2018	Kozub	
D828,248 S	9/2018	Zipfel	
D829,621 S	10/2018	Mack et al.	
D830,252 S	10/2018	Swanseger	
D830,258 S	10/2018	Moffett et al.	
D836,045 S	12/2018	McMahan et al.	
D841,540 S	2/2019	Koo et al.	
D841,541 S	2/2019	Krieg	
D842,178 S	3/2019	Pinazzo et al.	
D843,280 S	3/2019	Thurber et al.	
D848,915 S	5/2019	Izard	
D855,515 S	8/2019	Riggs et al.	
D856,876 S	8/2019	Kapitonov	
D863,154 S	10/2019	O'Donnell et al.	
D863,155 S *	10/2019	Dewitt	D12/173
D863,156 S	10/2019	Blanski et al.	
D863,157 S *	10/2019	Wilkins	D12/173
D867,947 S	11/2019	Park Cheng et al.	
D868,652 S	12/2019	Gifford	
D873,735 S	1/2020	Park Cheng et al.	
D880,382 S	4/2020	Izard	
D885,270 S	5/2020	Zipfel	
D887,329 S	6/2020	Zipfel	
D888,635 S	6/2020	Zipfel	
D894,063 S *	8/2020	Dionisopoulos	D12/173
D902,807 S	11/2020	Ruiz	
D902,809 S	11/2020	Hunwick	
D903,555 S	12/2020	Choi et al.	
D934,763 S *	11/2021	Bischoff	D12/173
D960,789 S *	8/2022	Ruiz	D12/173
D970,402 S *	11/2022	Manzoni	D12/196

* cited by examiner

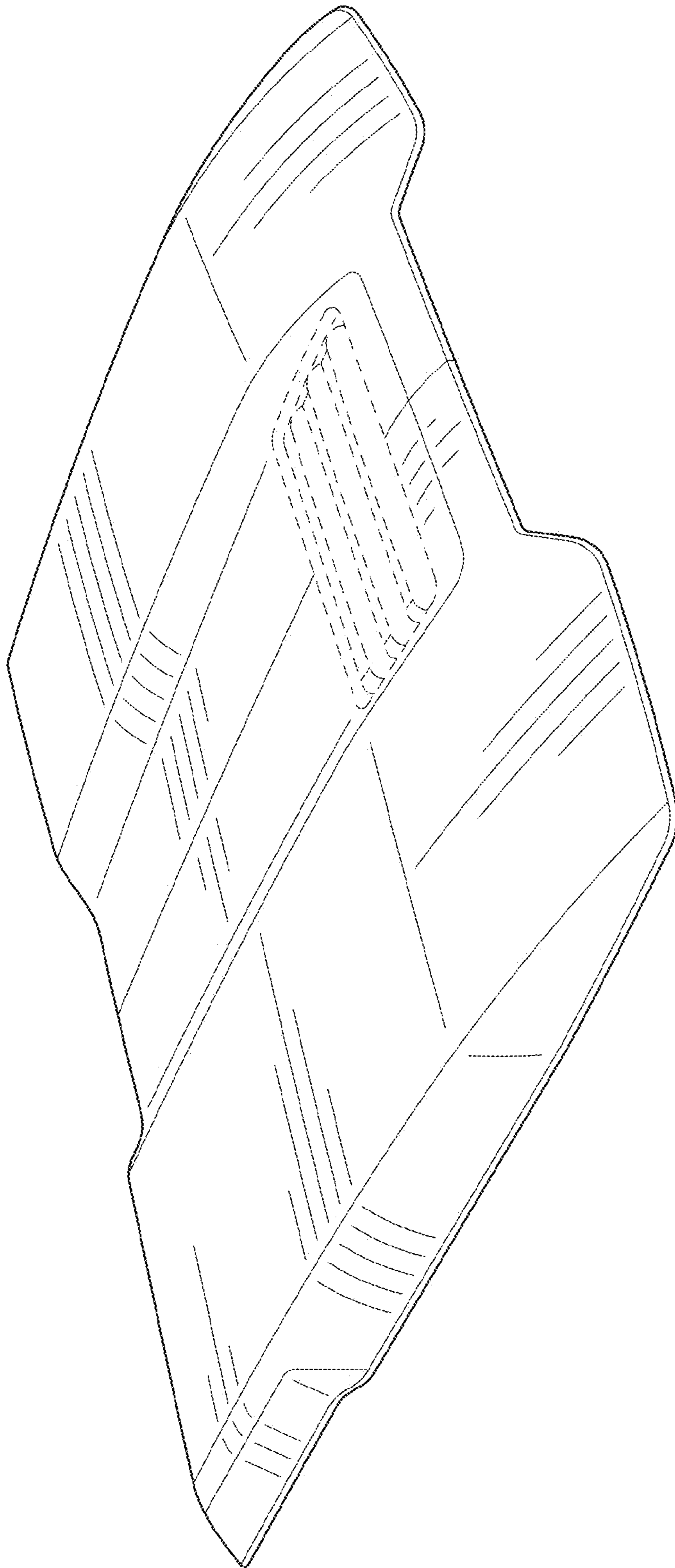


FIG. 1

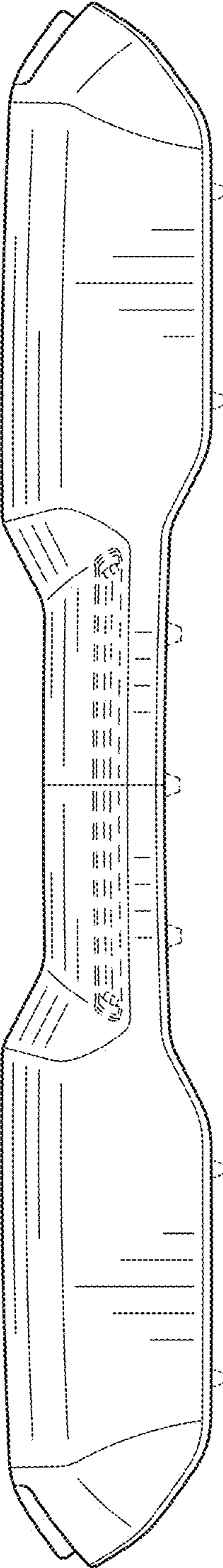


FIG. 2

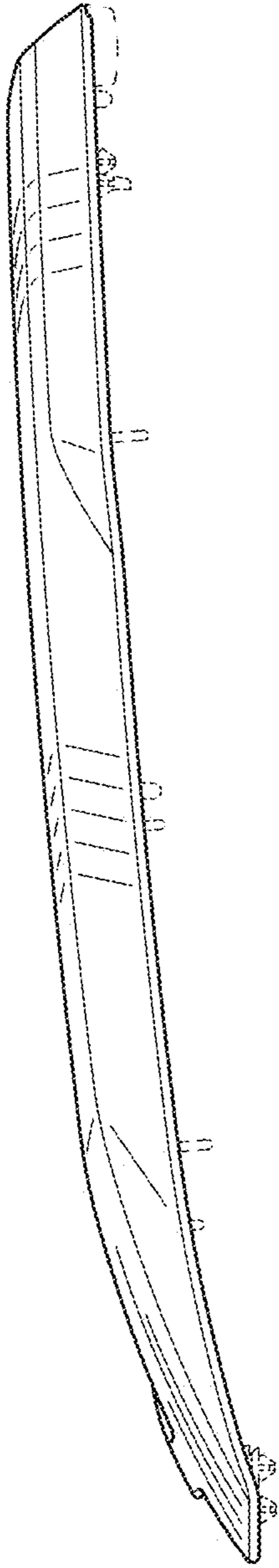


FIG. 3

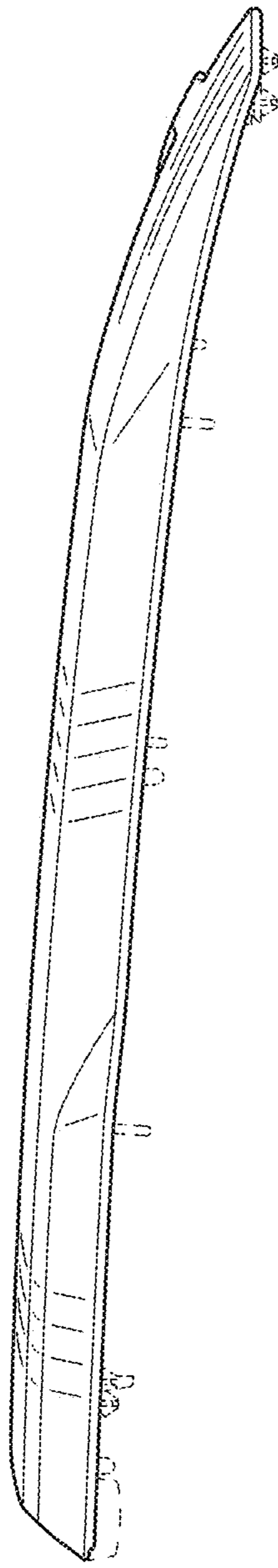


FIG. 4

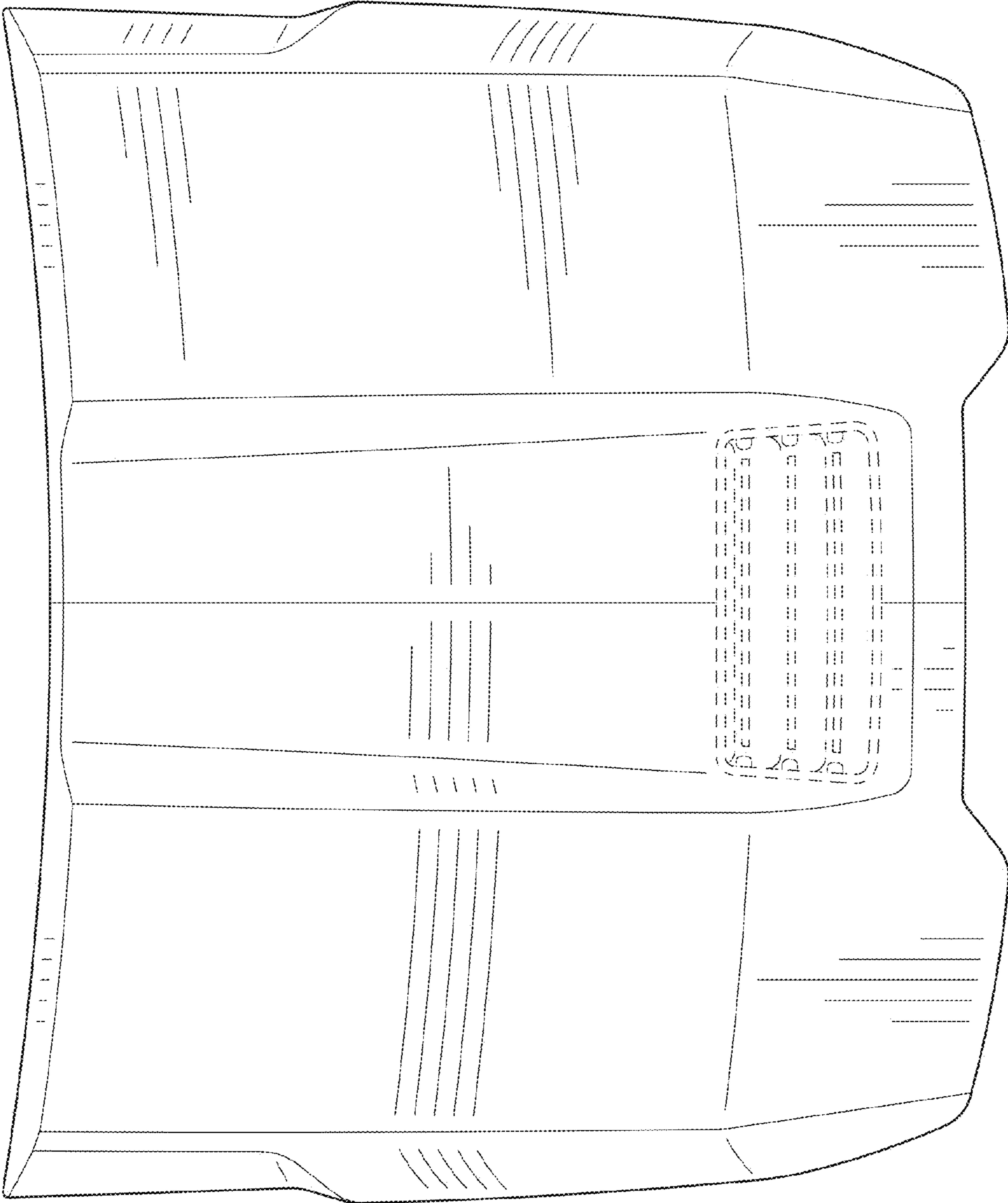


FIG. 5

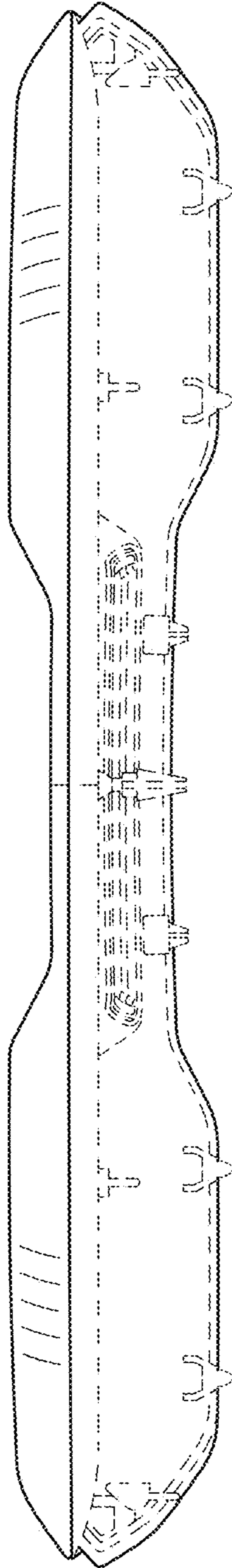


FIG. 6

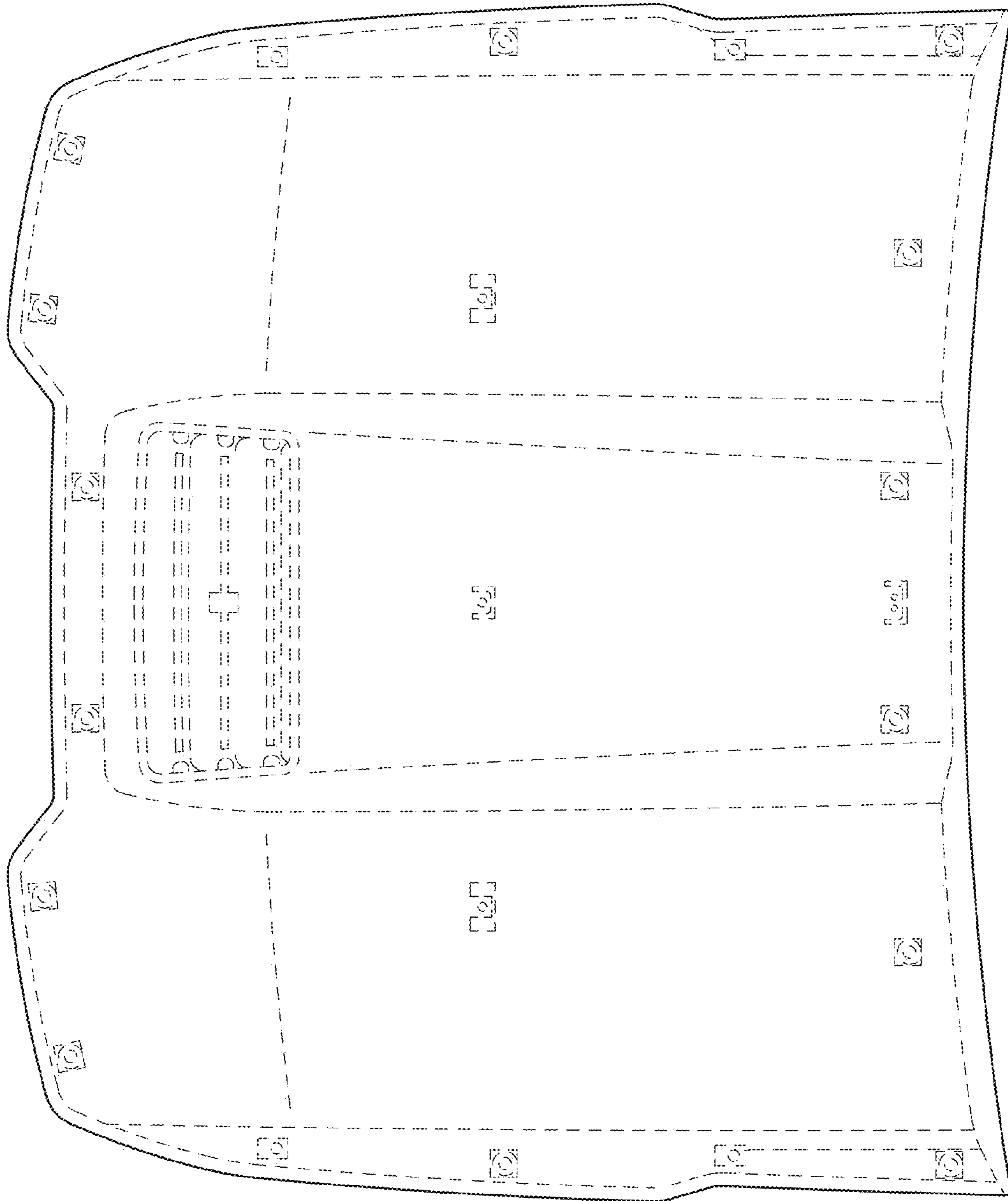


FIG. 7