



US00D981297S

(12) **United States Design Patent** (10) **Patent No.:** **US D981,297 S**
Depeyster et al. (45) **Date of Patent:** **** Mar. 21, 2023**

(54) **VEHICLE REAR LOWER BUMPER COVER**

(71) Applicant: **Ford Global Technologies, LLC**,
Dearborn, MI (US)

(72) Inventors: **Damon G. Depeyster**, Northville, MI (US); **Soohyoung Kim**, Northville, MI (US); **William J. Mangan**, Ypsilanti, MI (US); **Todd Willing**, Grosse Pointe, MI (US)

(73) Assignee: **Ford Global Technologies, LLC**,
Dearborn, MI (US)

(**) Term: **15 Years**

(21) Appl. No.: **29/803,452**

(22) Filed: **Aug. 12, 2021**

(51) **LOC (14) Cl.** **12-16**

(52) **U.S. Cl.**
USPC **D12/169**

(58) **Field of Classification Search**
 USPC D12/169, 196, 86, 90-92, 163, 190, 98,
 D12/164; 293/102, 113, 115, 117, 120,
 293/193.11; 296/180.1, 180.2
 CPC B60R 19/02; B60R 19/04; B62D 25/08
 See application file for complete search history.

(56) **References Cited**

U.S. PATENT DOCUMENTS

D490,755 S 6/2004 Platto et al.
 D771,535 S * 11/2016 Wolff D12/169
 D814,995 S 4/2018 Bucher et al.
 D826,802 S * 8/2018 Platto D12/169
 D839,153 S * 1/2019 Wada D12/169

D847,046 S * 4/2019 Whitla D12/169
 D856,870 S * 8/2019 Nakajima D12/169
 D863,151 S * 10/2019 Sasazawa D12/169
 D869,359 S * 12/2019 Betancourt D12/169
 D878,256 S * 3/2020 Kim D12/169
 D891,324 S * 7/2020 Betancourt D12/169
 D906,904 S 1/2021 Bucher et al.
 D938,866 S * 12/2021 Theis D12/169
 D941,200 S * 1/2022 Beckies D12/169
 D955,932 S * 6/2022 Jevremovic D12/169
 D958,024 S * 7/2022 Nakagawa D12/169
 D958,026 S * 7/2022 Nakagawa D12/169
 D966,970 S * 10/2022 Kim D12/169

* cited by examiner

Primary Examiner — Melody N Brown

(74) *Attorney, Agent, or Firm* — Vichit Chea

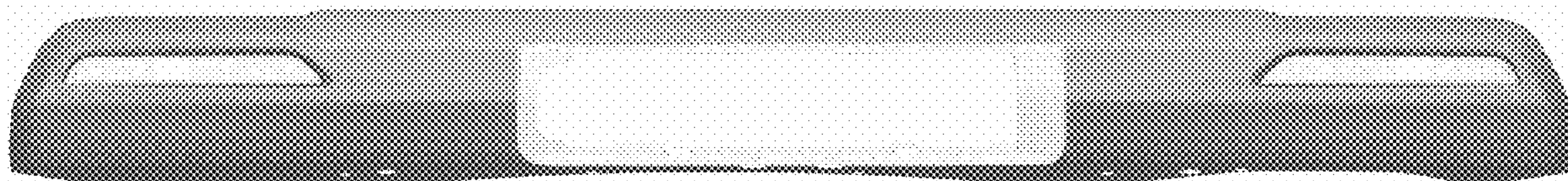
(57) **CLAIM**

The ornamental design for a vehicle rear lower bumper cover, as shown and described.

DESCRIPTION

FIG. 1 is a front elevational view of a vehicle rear lower bumper cover, showing our new design;
 FIG. 2 is a left side elevational view thereof;
 FIG. 3 is a right side elevational view thereof;
 FIG. 4 is a top plan view thereof;
 FIG. 5 is a bottom plan view thereof;
 FIG. 6 is a bottom, front and left side perspective view thereof; and,
 FIG. 7 is a top, front and left side perspective view thereof.
 The claimed design is indicated by the relatively dark portions in the figures. The de-emphasized and relatively light portions form no part of the claimed design.

1 Claim, 7 Drawing Sheets



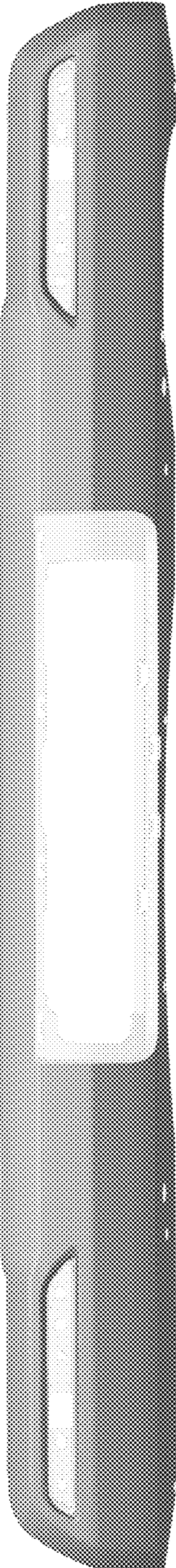


Fig. 1

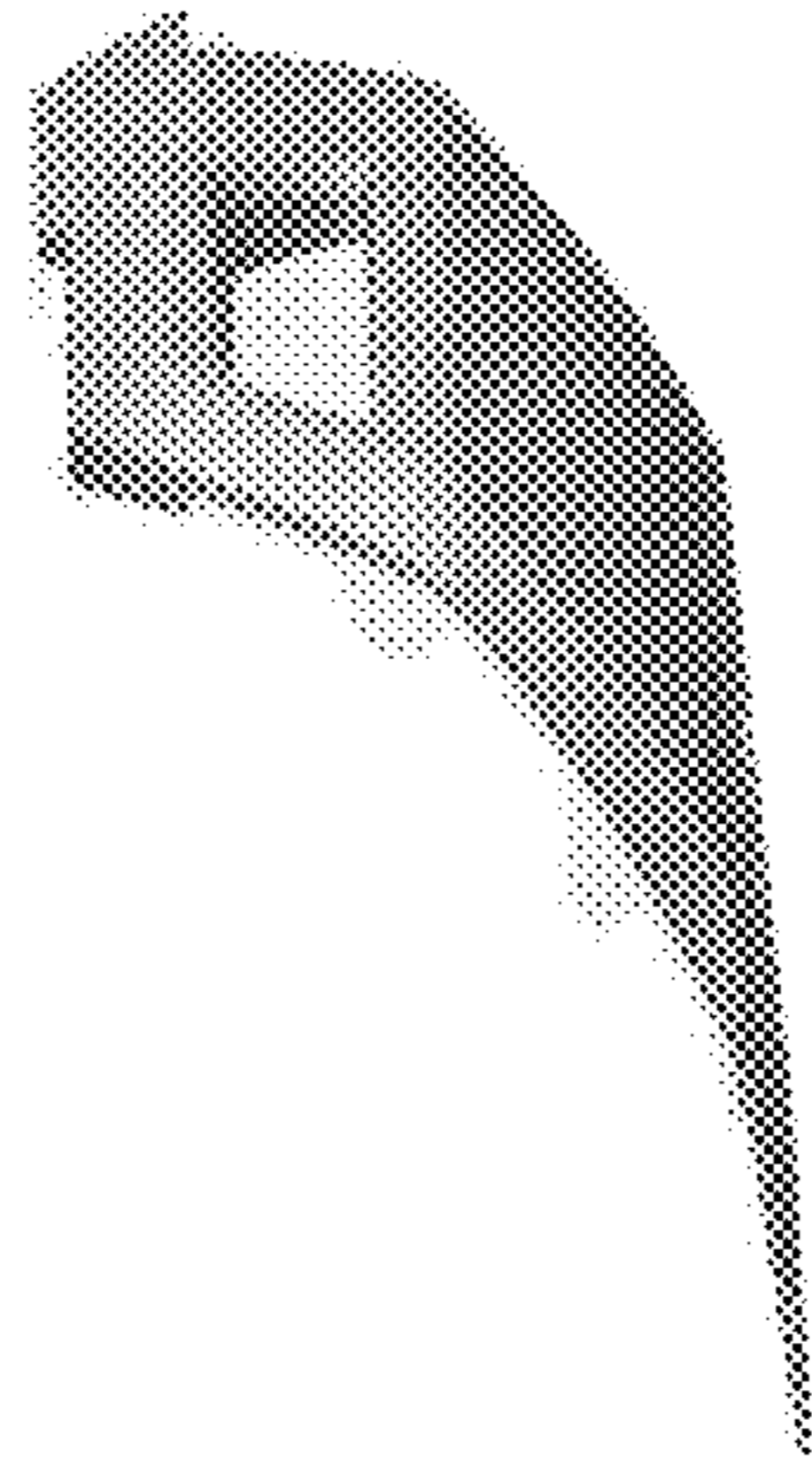


Fig. 2

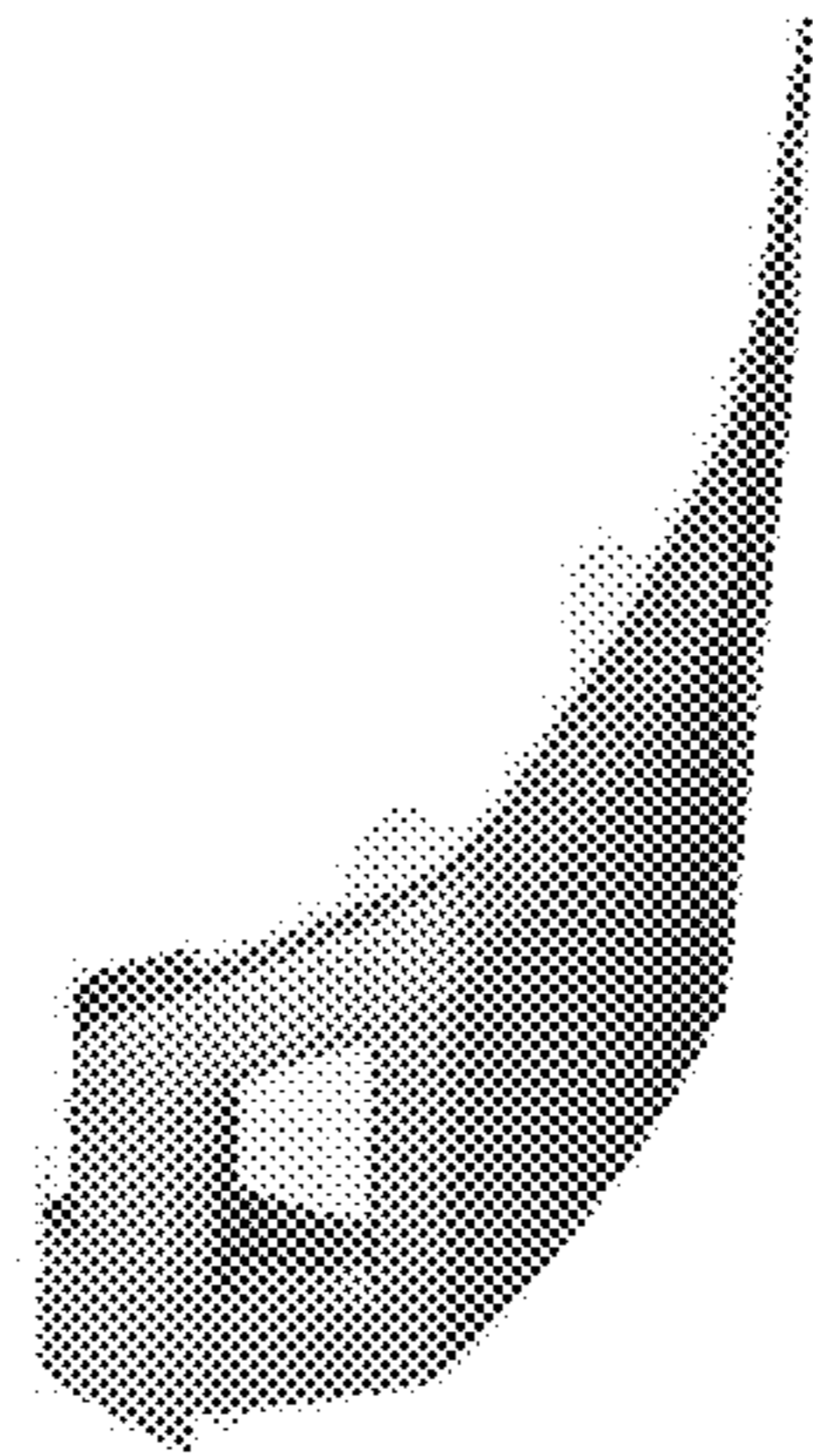


Fig. 3

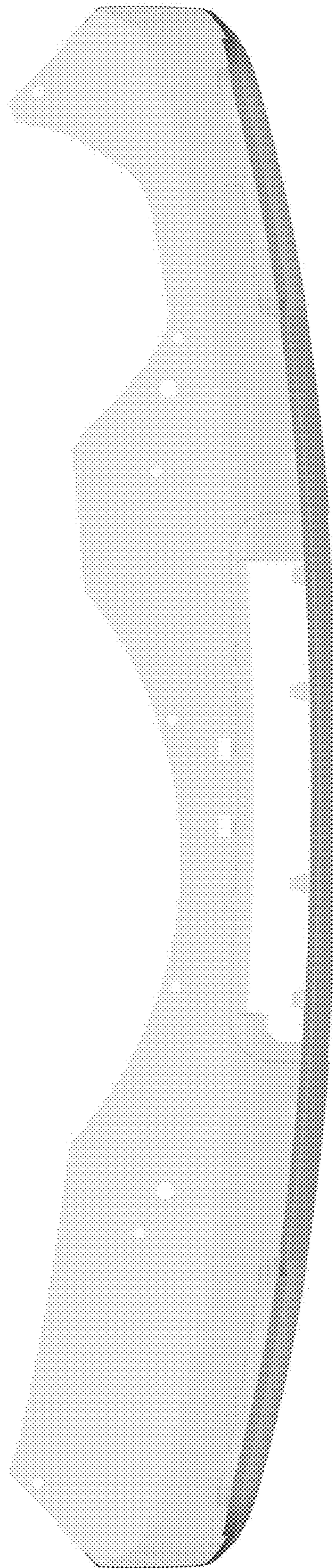


Fig.4



Fig. 5

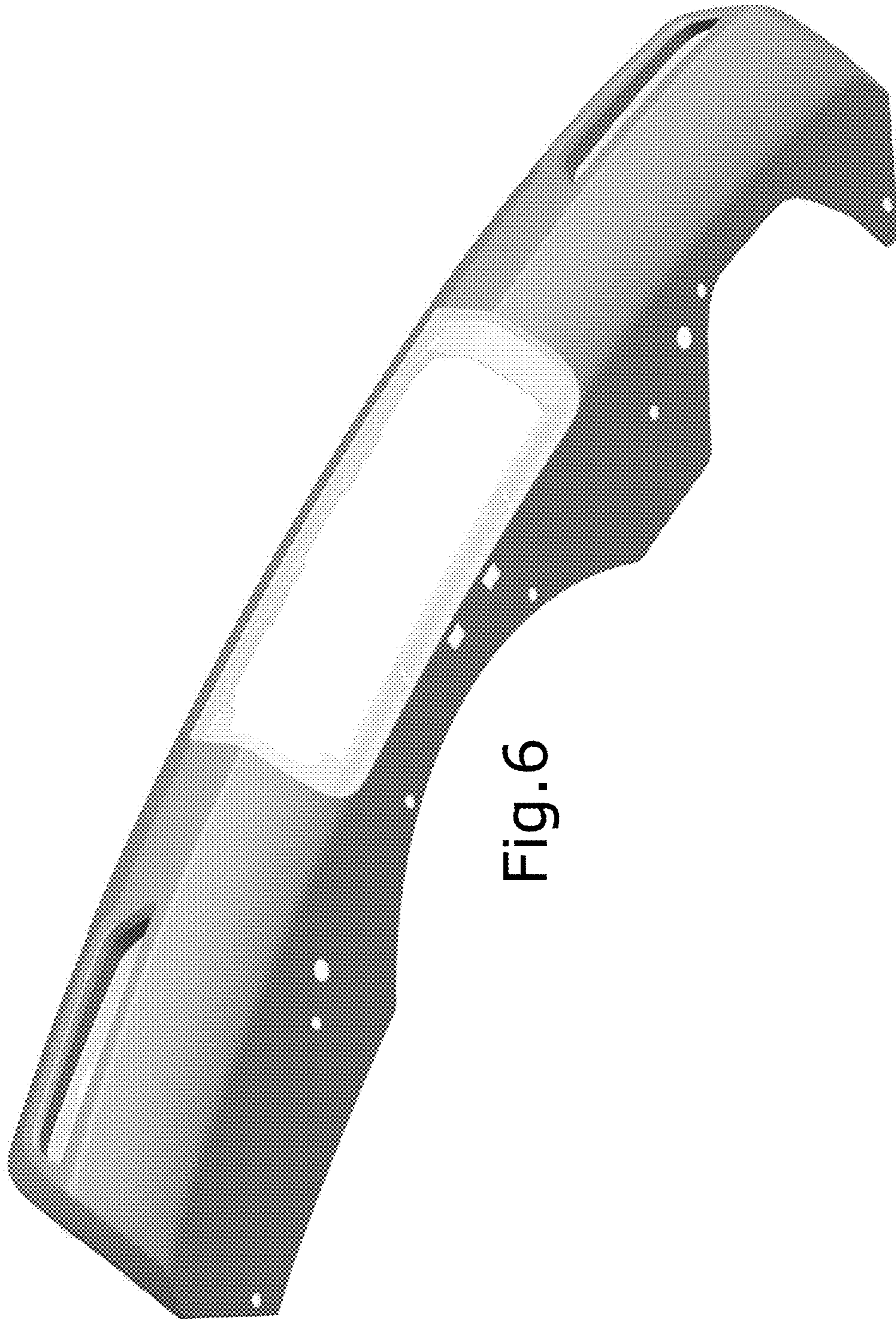


Fig. 6

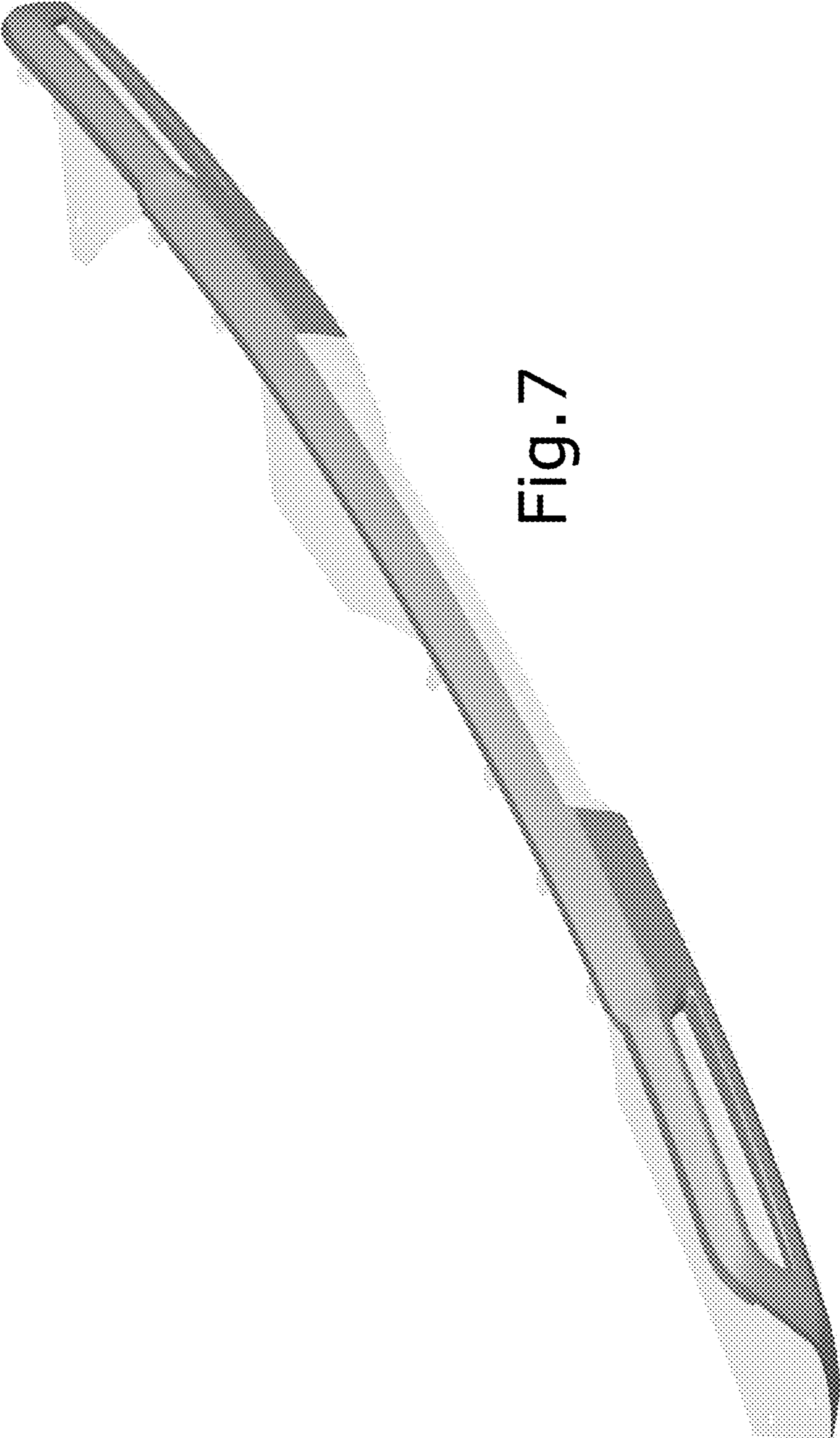


Fig. 7