



US00D981291S

(12) **United States Design Patent**
Tovey et al.

(10) **Patent No.:** **US D981,291 S**
(45) **Date of Patent:** **** Mar. 21, 2023**

(54) **BOTTOM PORTION OF A MOTOR VEHICLE**

(71) Applicant: **JAGUAR LAND ROVER LIMITED**,
Coventry (GB)

(72) Inventors: **Simon Tovey**, Coventry (GB);
Matthew Beaven, Coventry (GB)

(73) Assignee: **JAGUAR LAND ROVER LIMITED**,
Coventry (GB)

(**) Term: **15 Years**

(21) Appl. No.: **29/772,842**

(22) Filed: **Mar. 4, 2021**

Related U.S. Application Data

(62) Division of application No. 29/727,872, filed on Mar. 13, 2020, now Pat. No. Des. 913,871, and a division of application No. 29/679,527, filed on Feb. 7, 2019, now Pat. No. Des. 881,082, and a division of application No. 29/624,949, filed on Nov. 6, 2017, now Pat. No. Des. 841,518.

(30) **Foreign Application Priority Data**

May 11, 2017 (EM) 003996917

(51) **LOC (14) Cl.** **12-16**

(52) **U.S. Cl.**
USPC **D12/164**

(58) **Field of Classification Search**

USPC D12/86, 90-92, 88, 164; D21/424, 433,
D21/434, 533; 296/181.1-181.5, 183.1
CPC B62D 25/00; B62D 25/06; B62D 33/00;
B62D 35/00

See application file for complete search history.

(56) **References Cited**

U.S. PATENT DOCUMENTS

D698,697 S * 2/2014 Winkelmann D12/91
D719,878 S * 12/2014 Webber D12/92

D725,007 S * 3/2015 Beaven D12/164
D731,922 S * 6/2015 Beaven D12/91
D739,305 S * 9/2015 Gunnarson D12/91
D749,996 S * 2/2016 Henstridge D12/164
D784,856 S * 4/2017 Hatton D12/91
D807,788 S * 1/2018 Hatton D12/91

(Continued)

Primary Examiner — Melody N Brown

(74) *Attorney, Agent, or Firm* — Reising Ethington P.C.

(57) **CLAIM**

The ornamental design for a bottom portion of a motor vehicle, as shown and described.

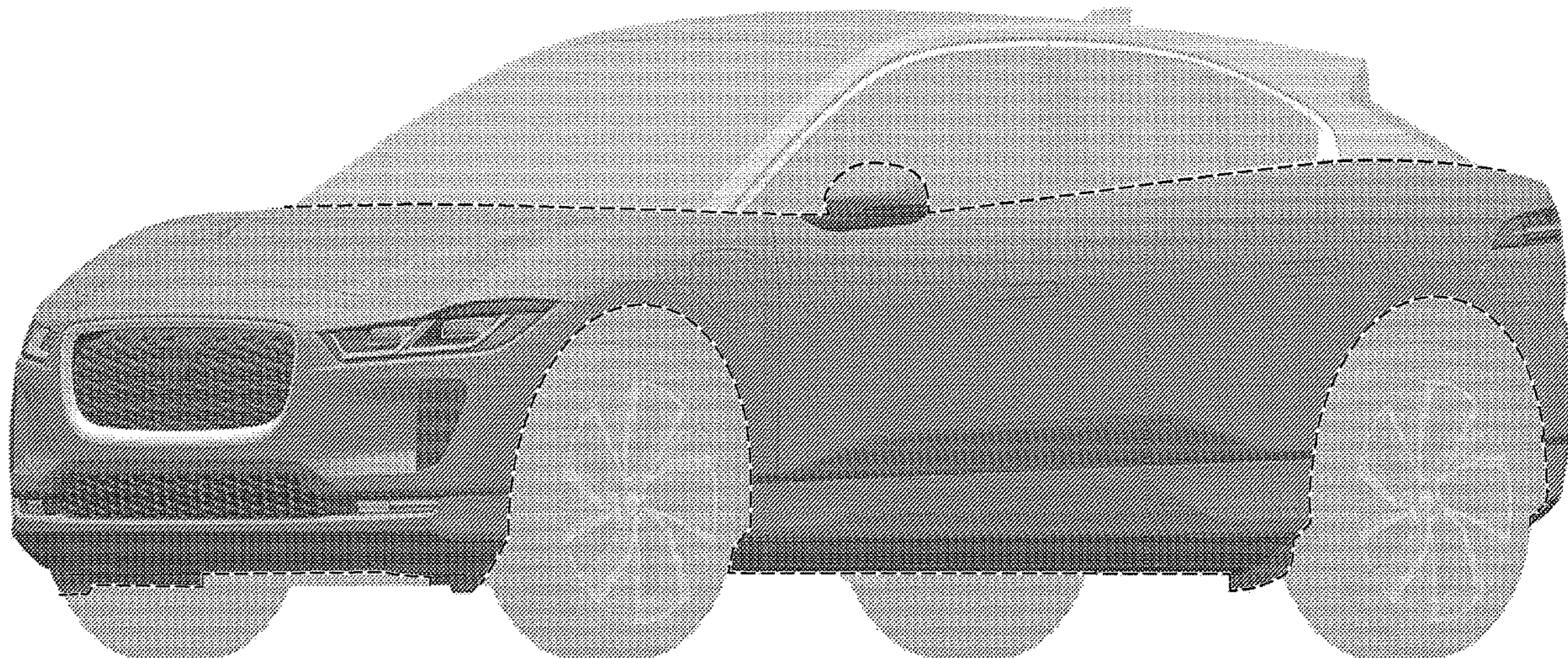
DESCRIPTION

FIG. 1 is a right, front perspective view of a bottom portion of a motor vehicle showing our new design; FIG. 2 is a left, front perspective view thereof; FIG. 3 is a left, rear perspective view thereof; FIG. 4 is a right, rear perspective view thereof; FIG. 5 is a front view thereof; FIG. 6 is a rear view thereof; FIG. 7 is a left side view thereof; FIG. 8 is a right side view thereof; and, FIG. 9 is a top view thereof.

In FIGS. 1-9, the claimed design is shown between upper and lower broken lines, which together form unclaimed boundaries of the design. The rest of the vehicle shown in de-emphasized and half-tone portions forms no part of the claimed design, but is included to shown environment.

The portions of the motor vehicle shown throughout the drawing views in a de-emphasized and half-tone form outside the broken lines and the broken lines representing the boundary and configuration of what is claimed as the design are all for environmental and illustrative purposes and form no part of the claimed design.

1 Claim, 9 Drawing Sheets



(56)

References Cited

U.S. PATENT DOCUMENTS

D813,100 S *	3/2018	Halton	D12/92
D839,141 S *	1/2019	Beaven	D12/164
D841,518 S *	2/2019	Tovey	D12/91
D881,082 S *	4/2020	Tovey	D12/164
D913,871 S *	3/2021	Tovey	D12/164

* cited by examiner

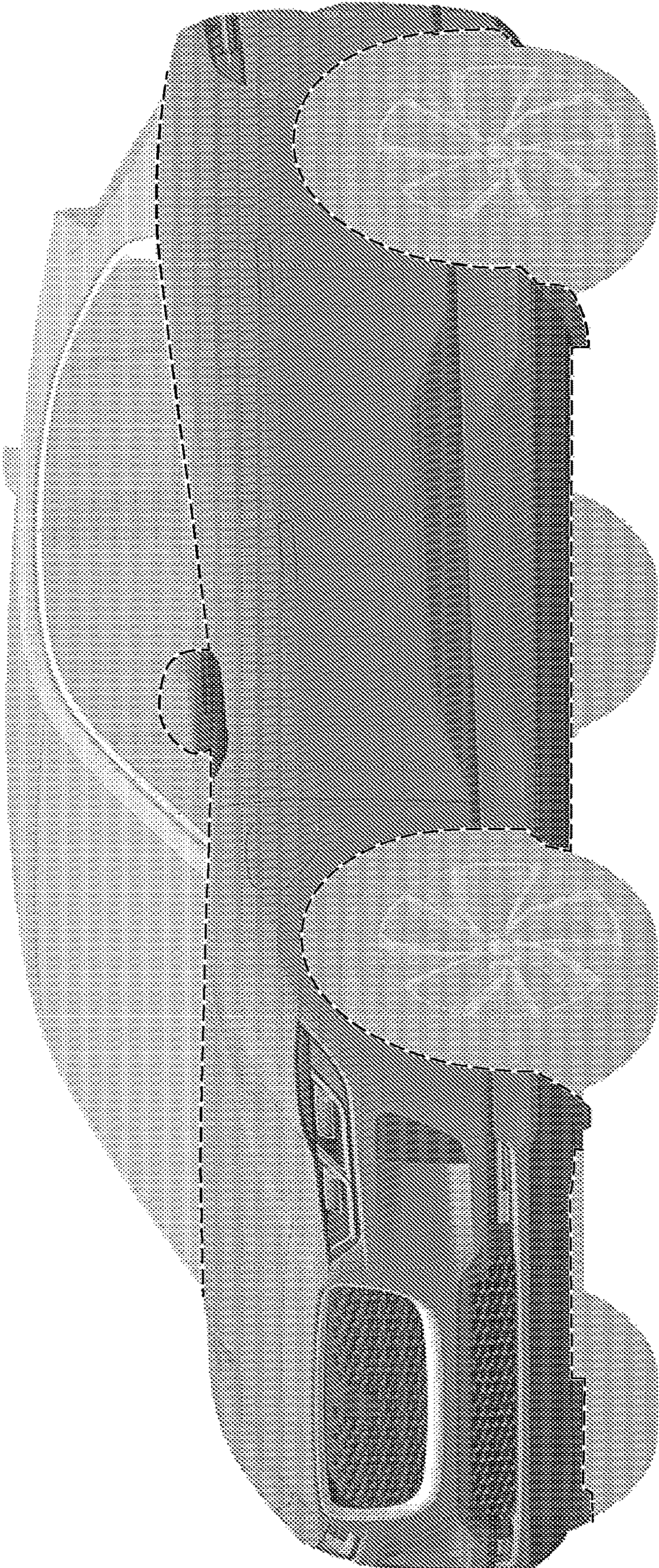


FIG. 1

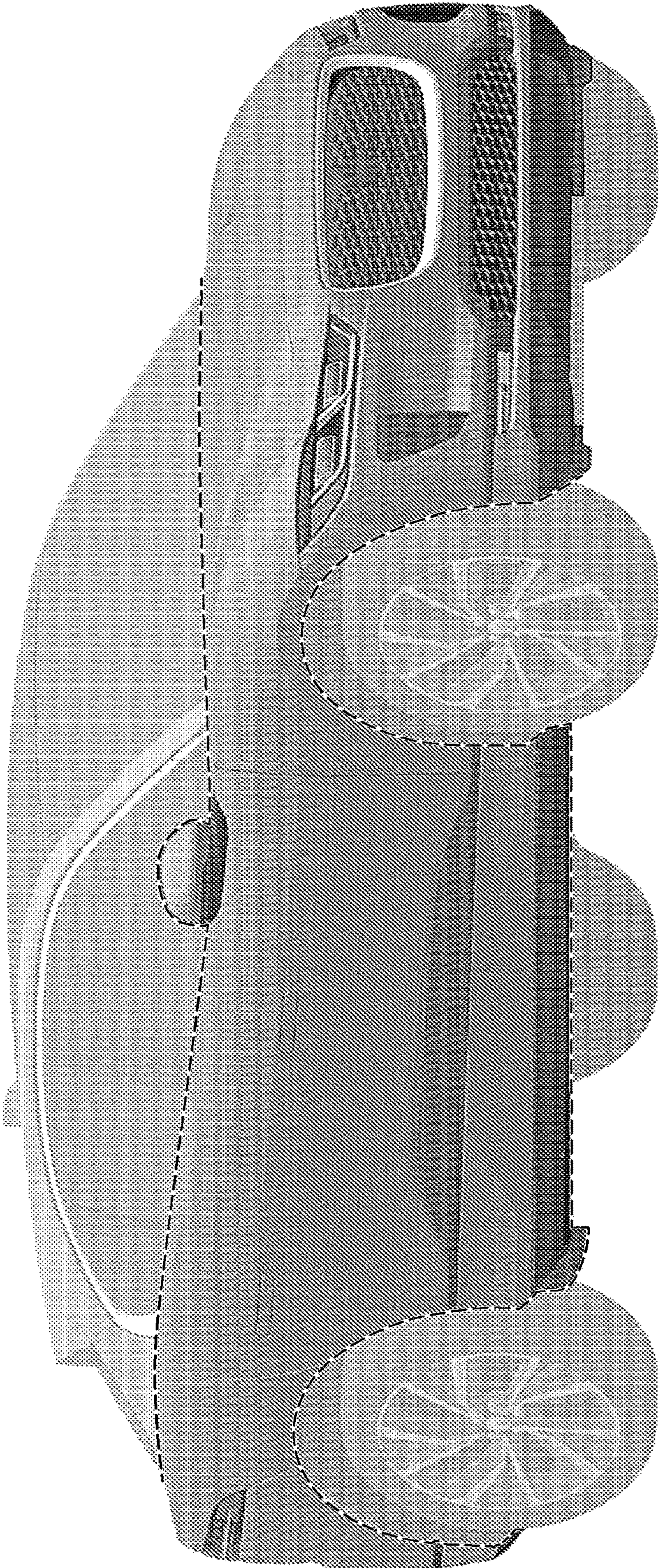


FIG. 2

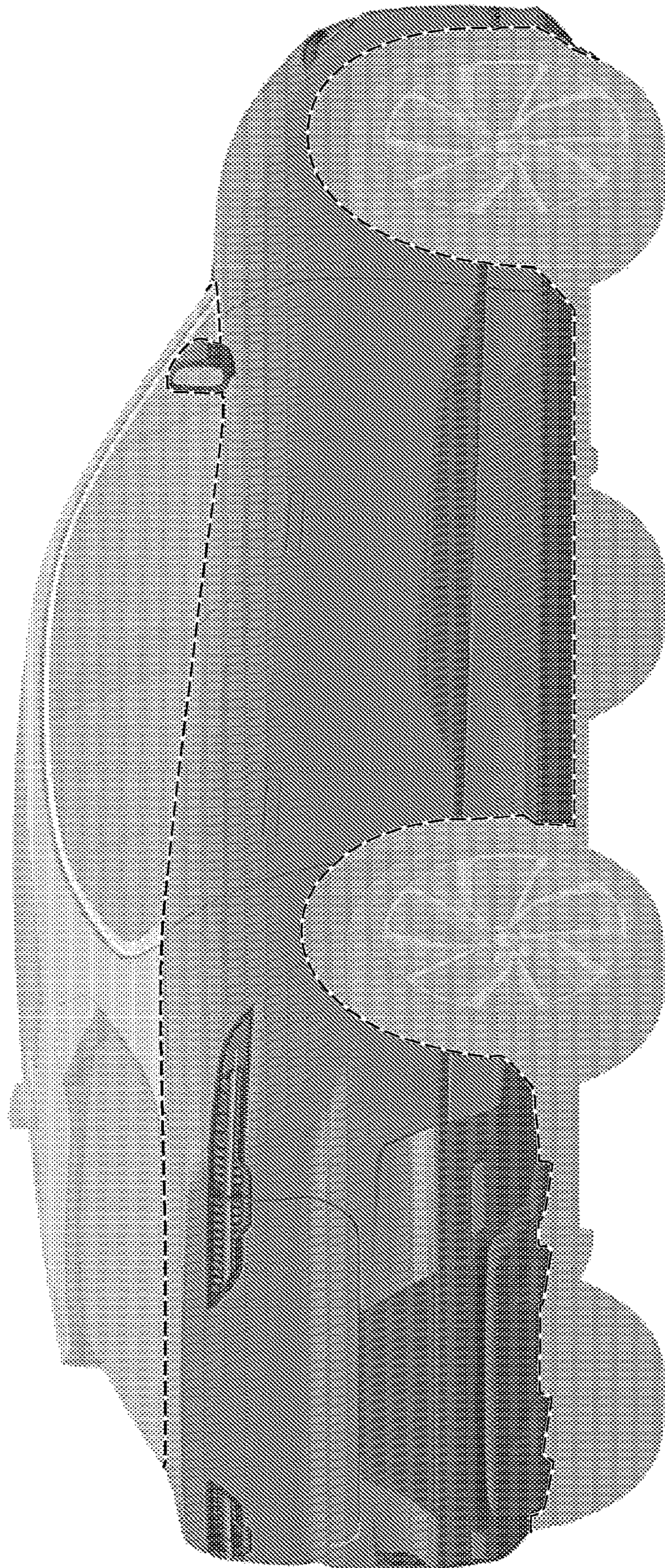


FIG. 3

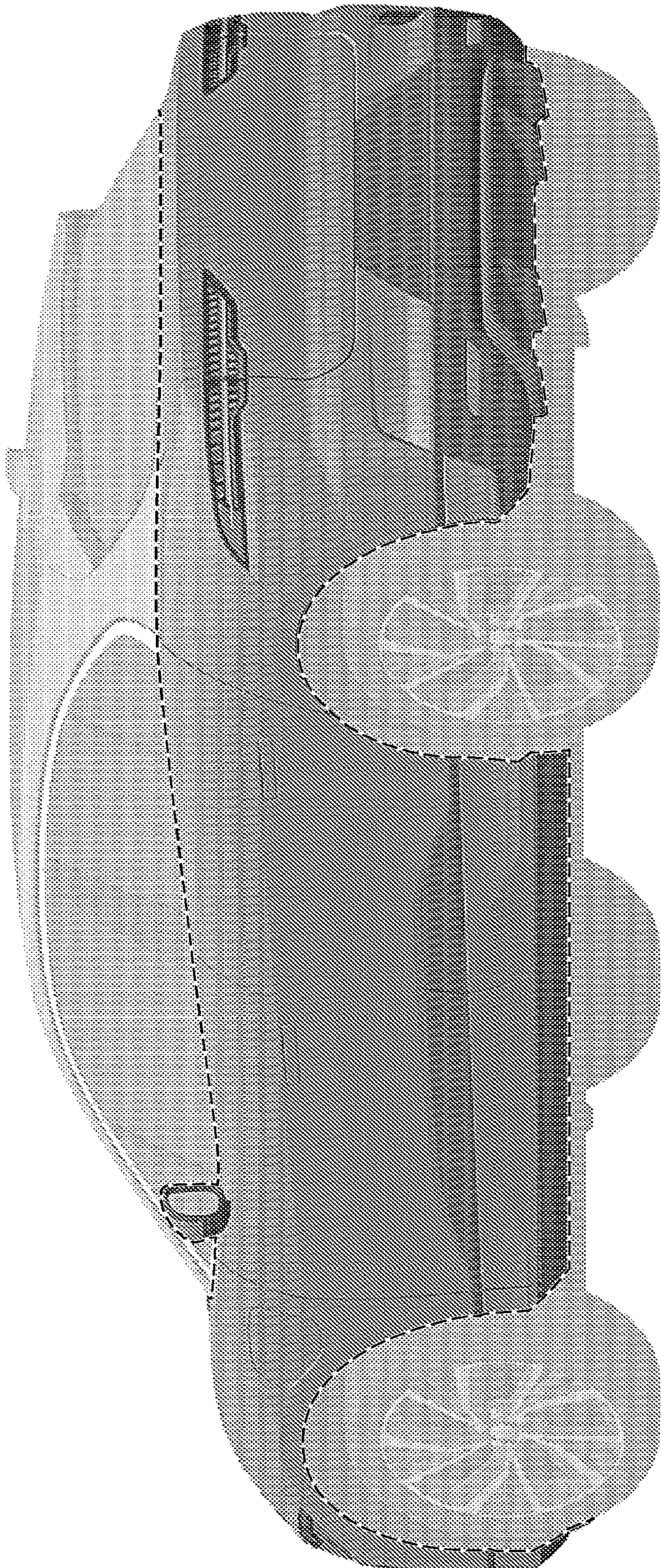


FIG. 4

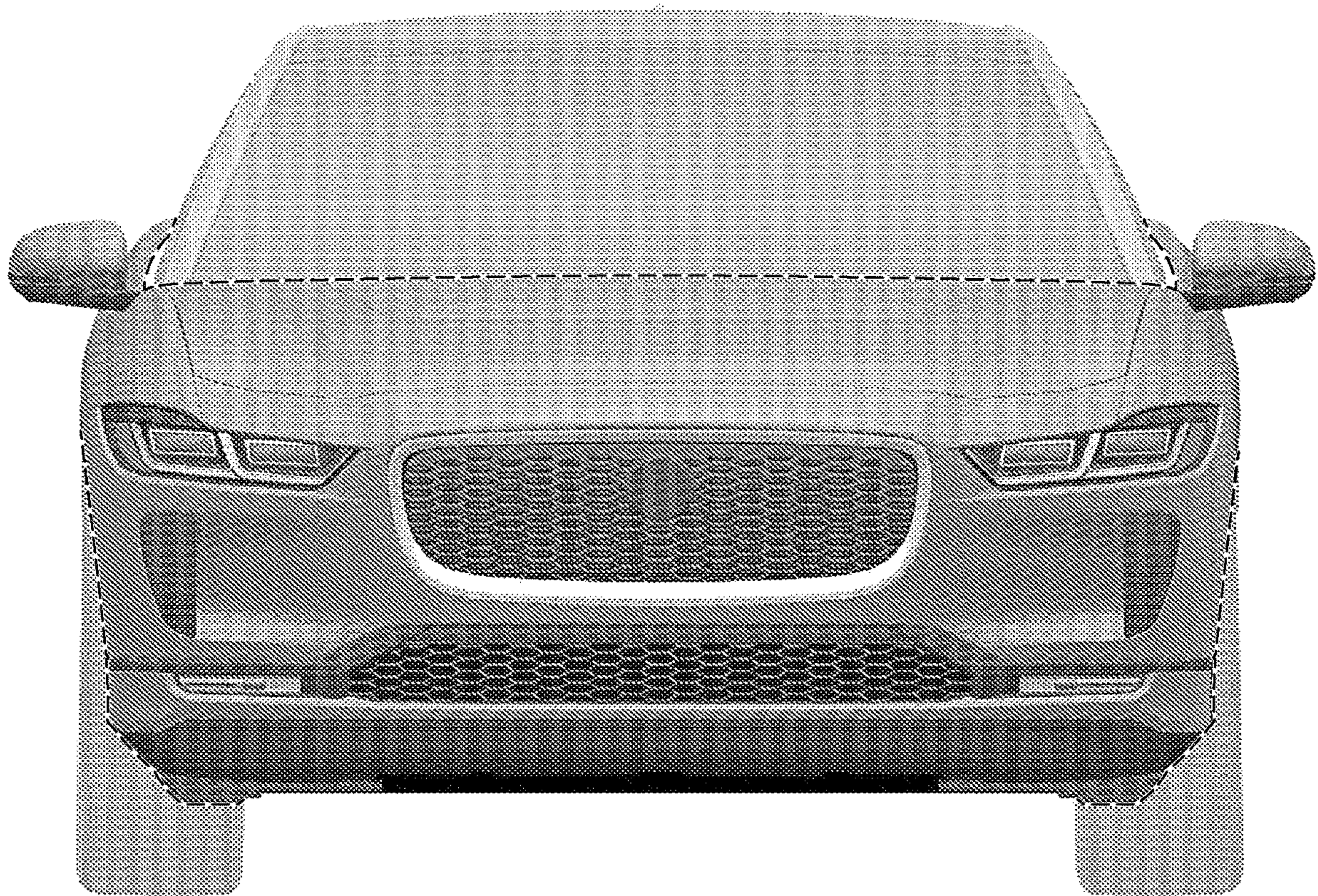


FIG. 5

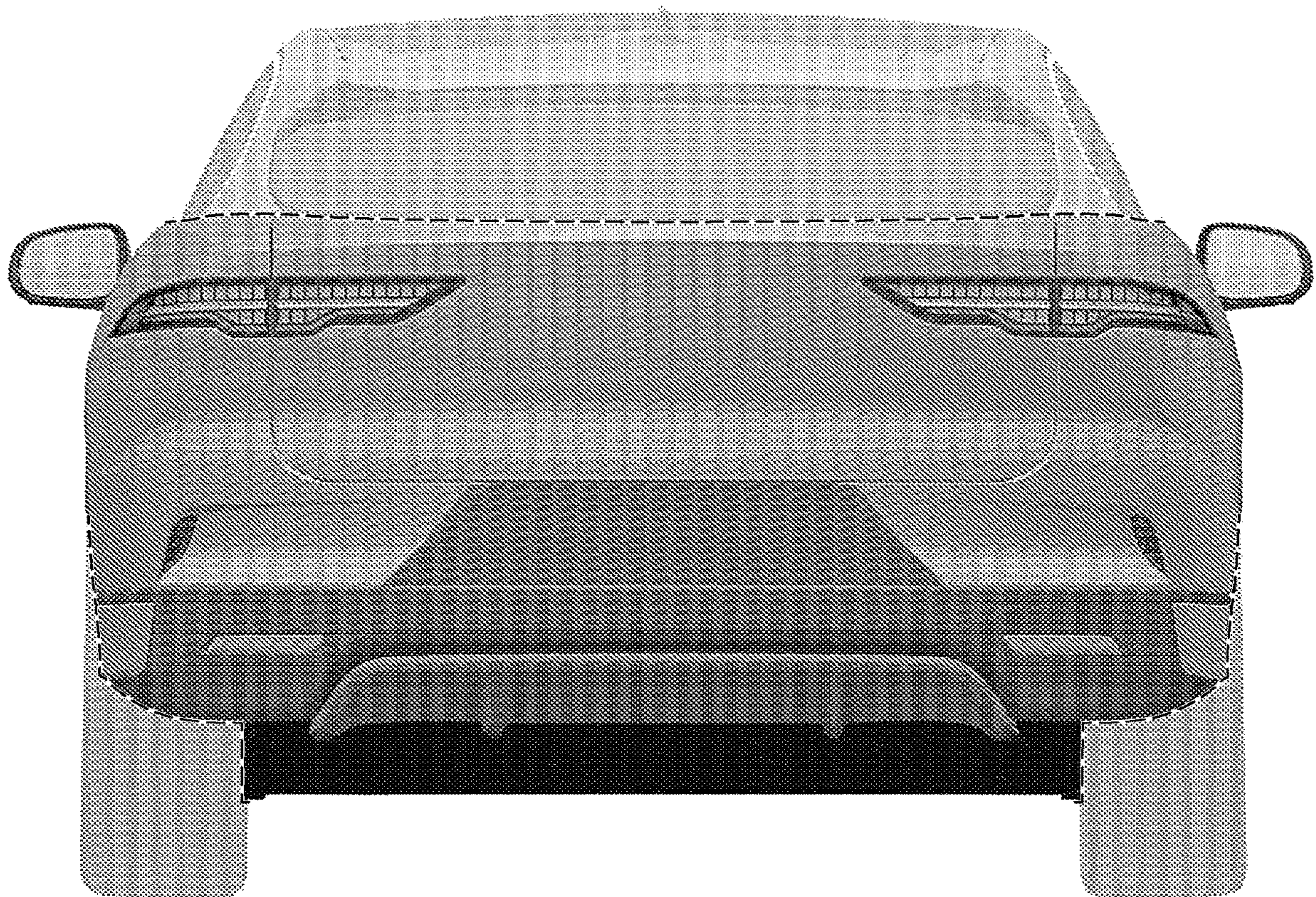


FIG. 6

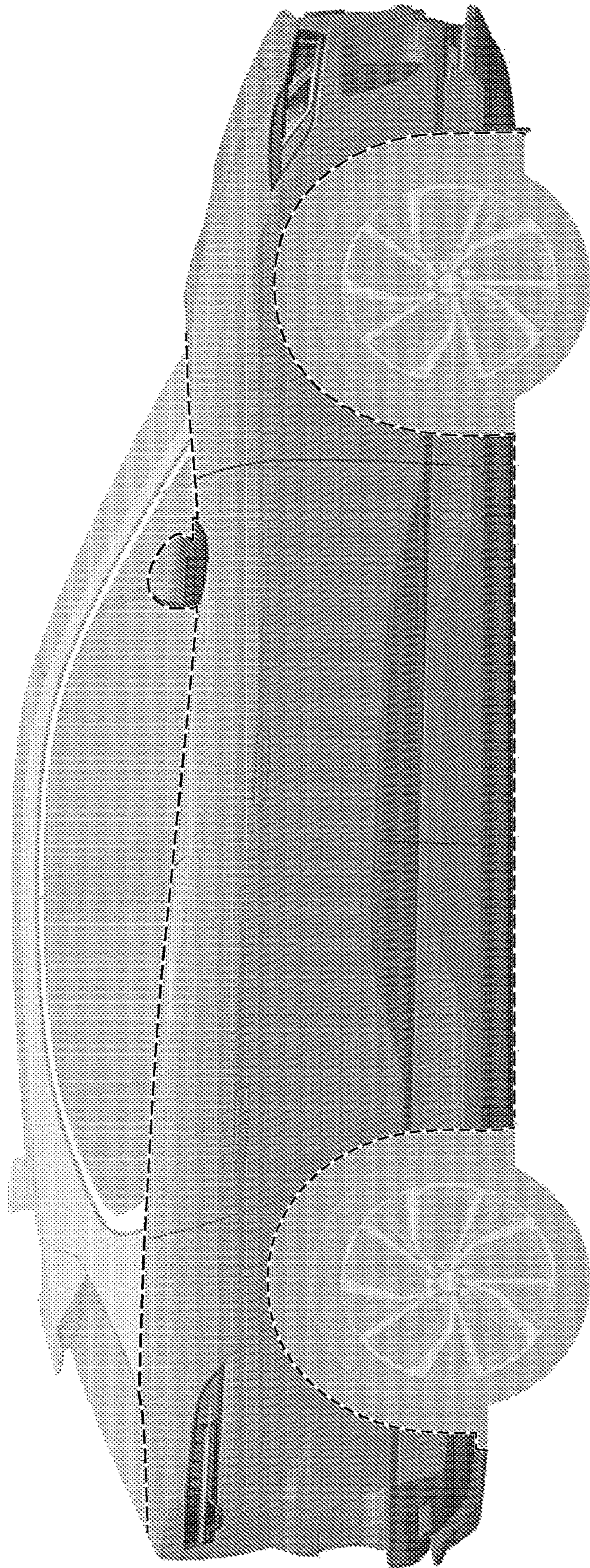


FIG. 7

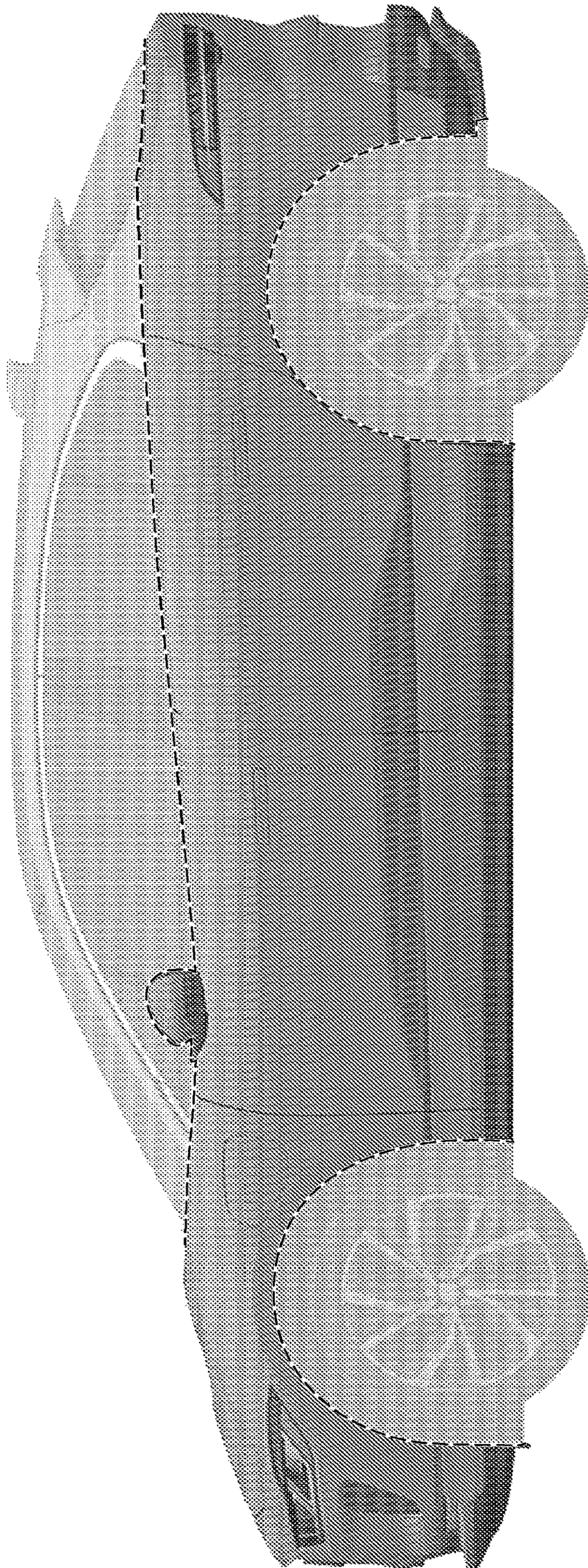


FIG. 8

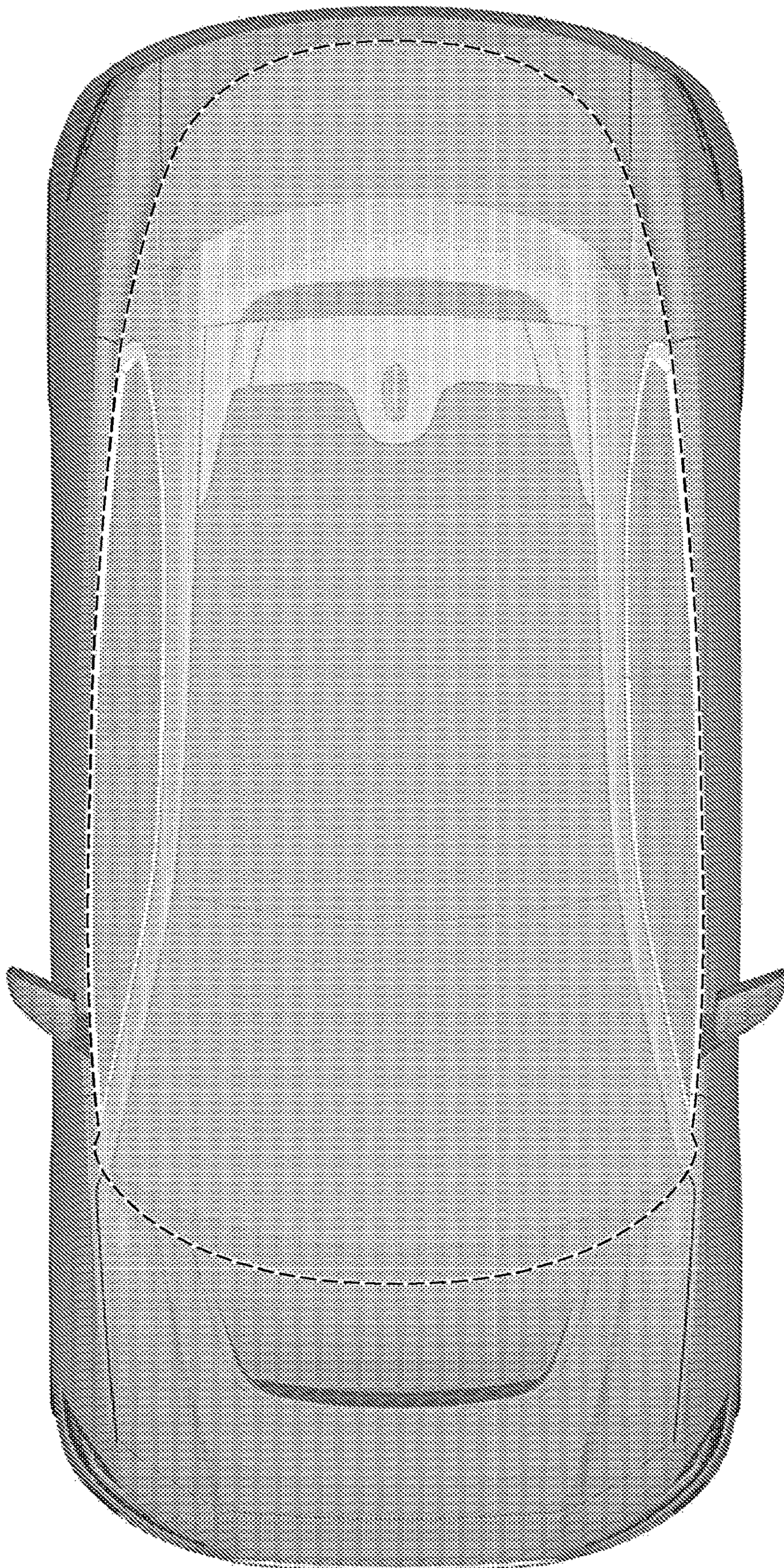


FIG. 9