



US00D981290S

(12) **United States Design Patent** (10) **Patent No.:** **US D981,290 S**
Depeyster et al. (45) **Date of Patent:** **** Mar. 21, 2023**

(54) **VEHICLE FRONT UPPER GRILLE**
(71) Applicant: **Ford Global Technologies, LLC**,
Dearborn, MI (US)
(72) Inventors: **Damon G. Depeyster**, Northville, MI
(US); **Soohyoung Kim**, Northville, MI
(US); **William J. Mangan**, Ypsilanti,
MI (US); **Todd Willing**, Grosse Pointe,
MI (US); **Ehab Kaoud**, Livonia, MI
(US); **Michael Webb**, Harrison
Township, MS (US); **Joshua Henry**,
Detroit, MI (US)

(73) Assignee: **Ford Global Technologies, LLC**,
Dearborn, MI (US)

(**) Term: **15 Years**

(21) Appl. No.: **29/803,458**

(22) Filed: **Aug. 12, 2021**

(51) **LOC (14) Cl.** **12-16**

(52) **U.S. Cl.**
USPC **D12/163**

(58) **Field of Classification Search**
USPC D12/163, 196, 86, 90-92, 169, 190, 98,
D12/164; 293/193.11; 180/68.1, 68.6
CPC B62B 9/16; B60K 11/08; B62D 25/08;
B60R 19/52
See application file for complete search history.

(56) **References Cited**

U.S. PATENT DOCUMENTS

D498,187 S 11/2004 Platto et al.
D532,723 S 11/2006 Schiavone et al.

D726,599 S 4/2015 Grake et al.
D819,513 S 6/2018 Bucher et al.
D823,181 S 7/2018 Bucher et al.
D913,163 S * 3/2021 Kaoud D12/98
D933,548 S * 10/2021 Willing D12/163
D959,340 S * 8/2022 Kim D12/163
D960,775 S * 8/2022 Yue D12/163
D964,225 S * 9/2022 Kaoud D12/163
D965,479 S * 10/2022 Ruiz D12/163
D966,942 S * 10/2022 Kim D12/98
D966,943 S * 10/2022 Kaoud D12/98
D969,026 S * 11/2022 Willing D12/98
D969,027 S * 11/2022 Willing D12/98

* cited by examiner

Primary Examiner — Melody N Brown

(74) *Attorney, Agent, or Firm* — Vichit Chea

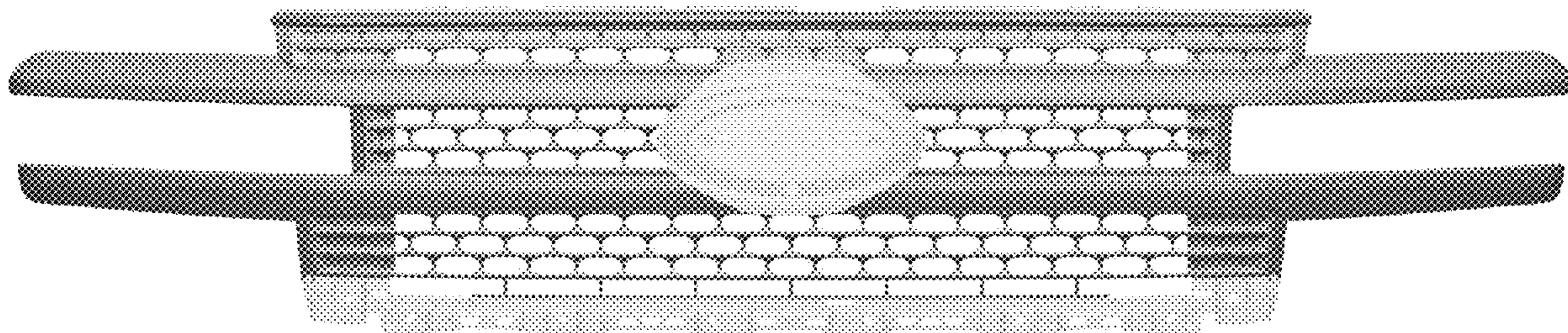
(57) **CLAIM**

The ornamental design for a vehicle front upper grille, as shown and described.

DESCRIPTION

FIG. 1 is a front elevational view of a vehicle front upper grille, showing our new design;
FIG. 2 is a left side elevational view thereof;
FIG. 3 is a right side elevational view thereof;
FIG. 4 is a top plan view thereof;
FIG. 5 is a bottom plan view thereof;
FIG. 6 is a top, front and left side perspective view thereof;
and,
FIG. 7 is a bottom, front and left side perspective view thereof.
The claimed design is indicated by the relatively dark portions in the figures. The de-emphasized and relatively light portions form no part of the claimed design.

1 Claim, 7 Drawing Sheets



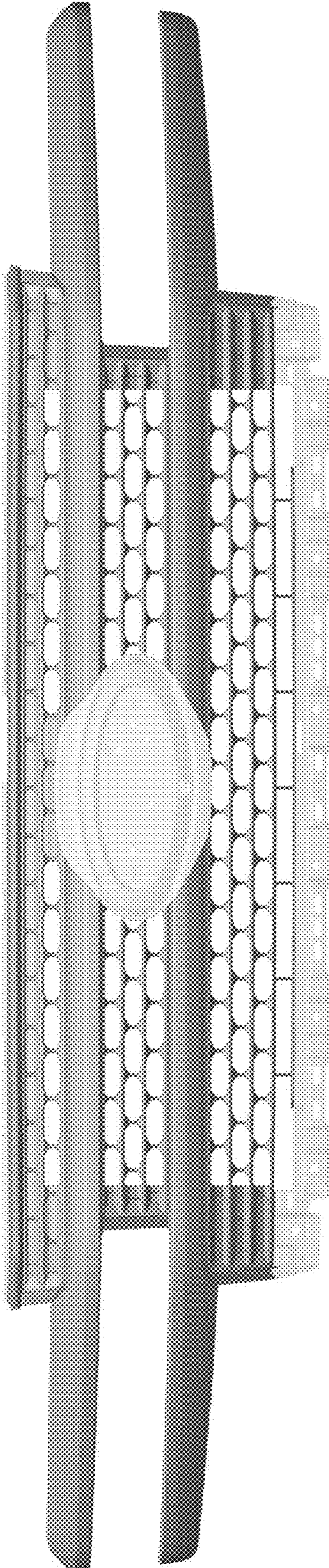


Fig.1

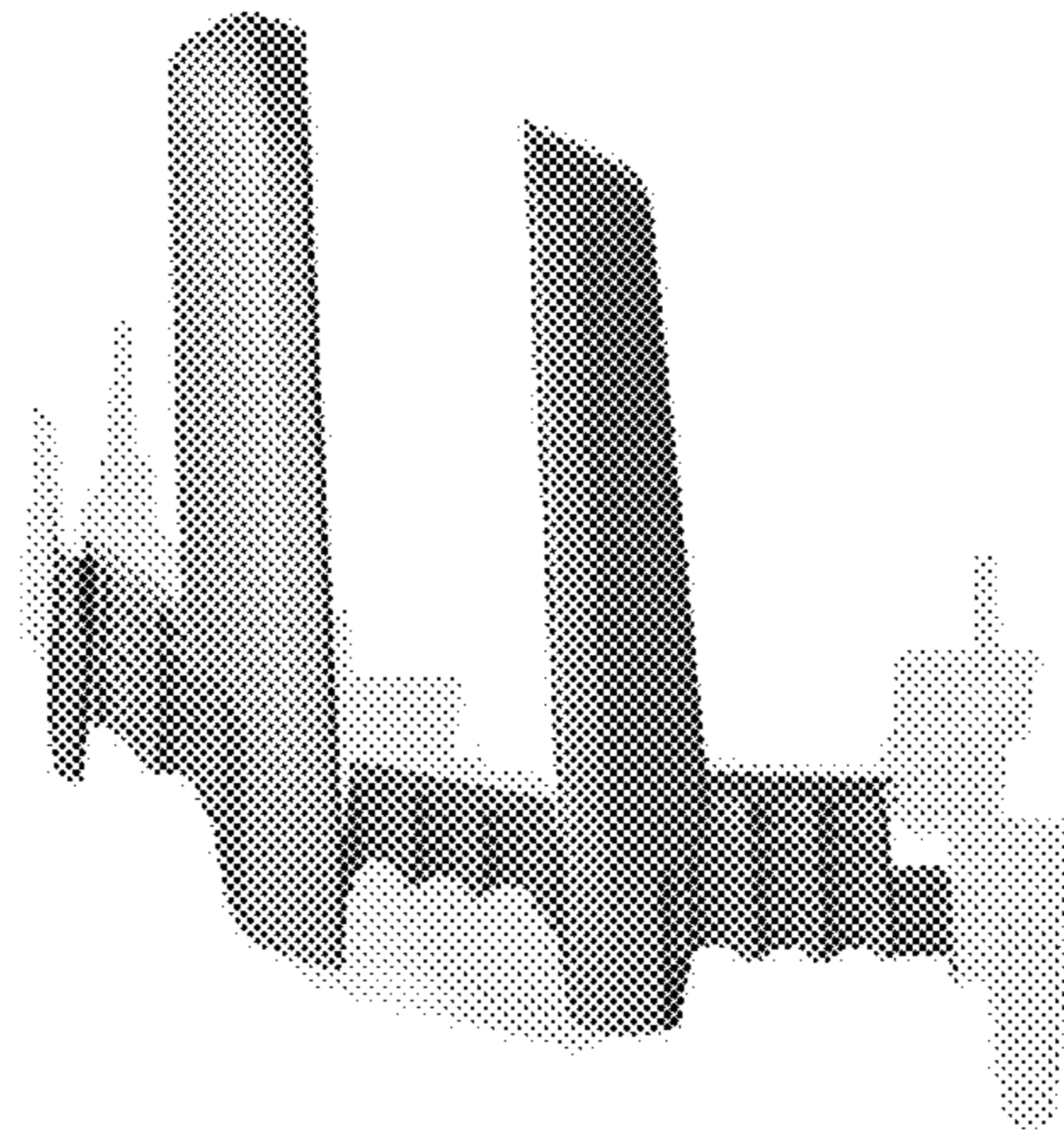


Fig. 2

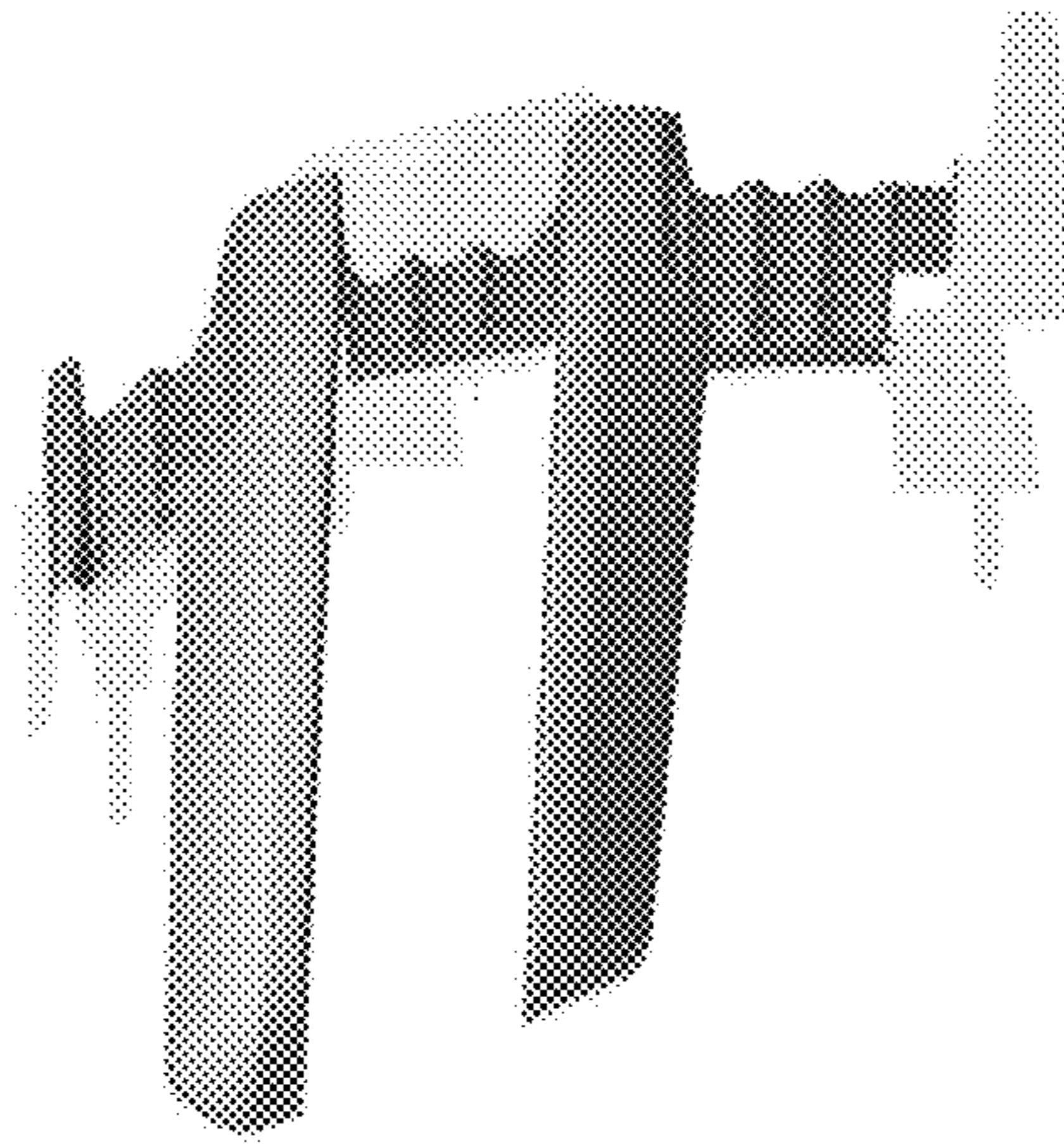


Fig. 3

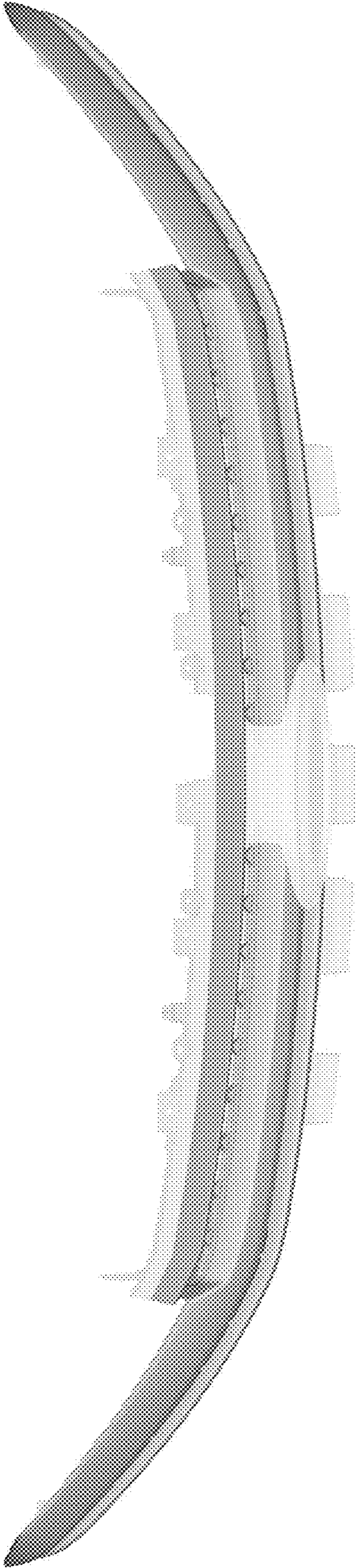


Fig.4

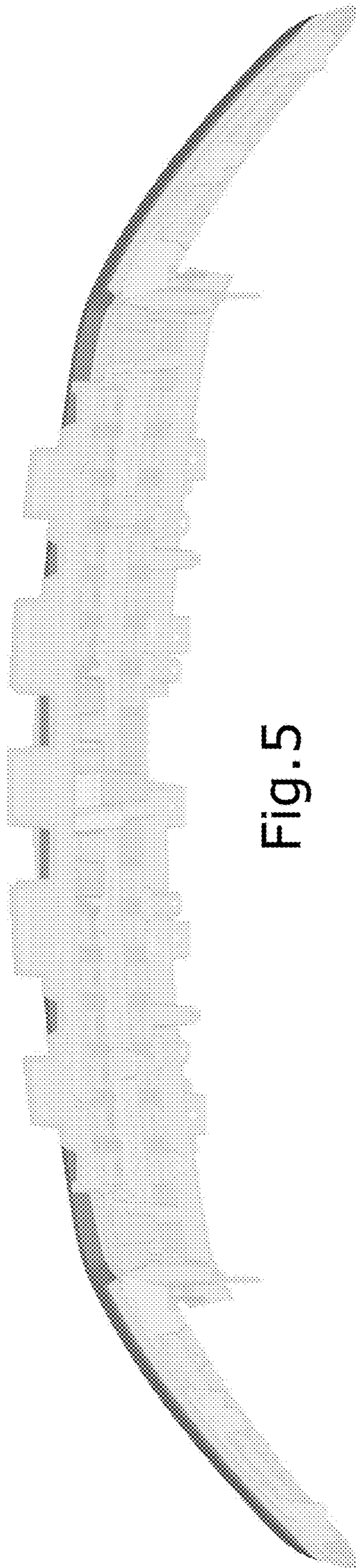


Fig. 5

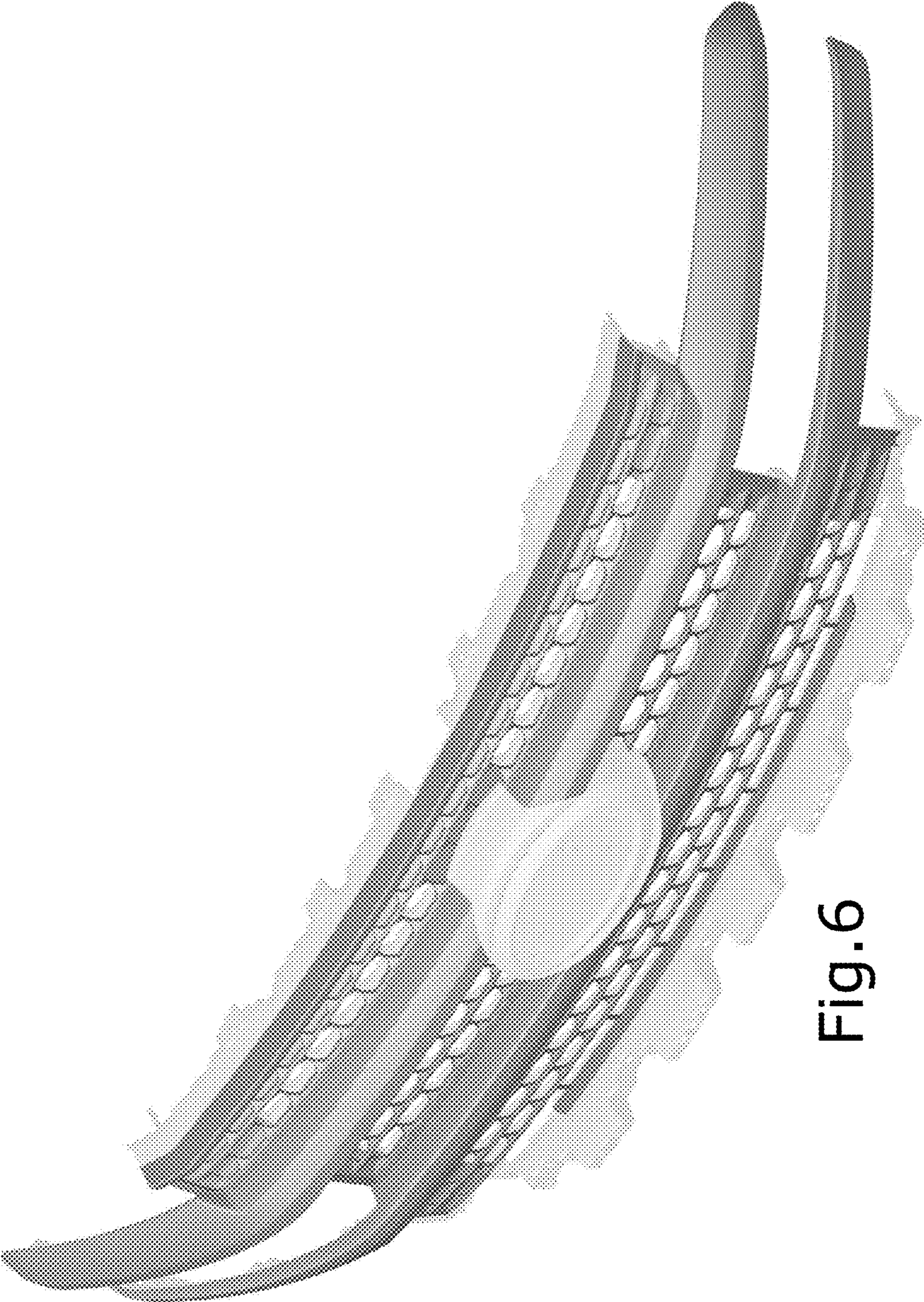


Fig. 6

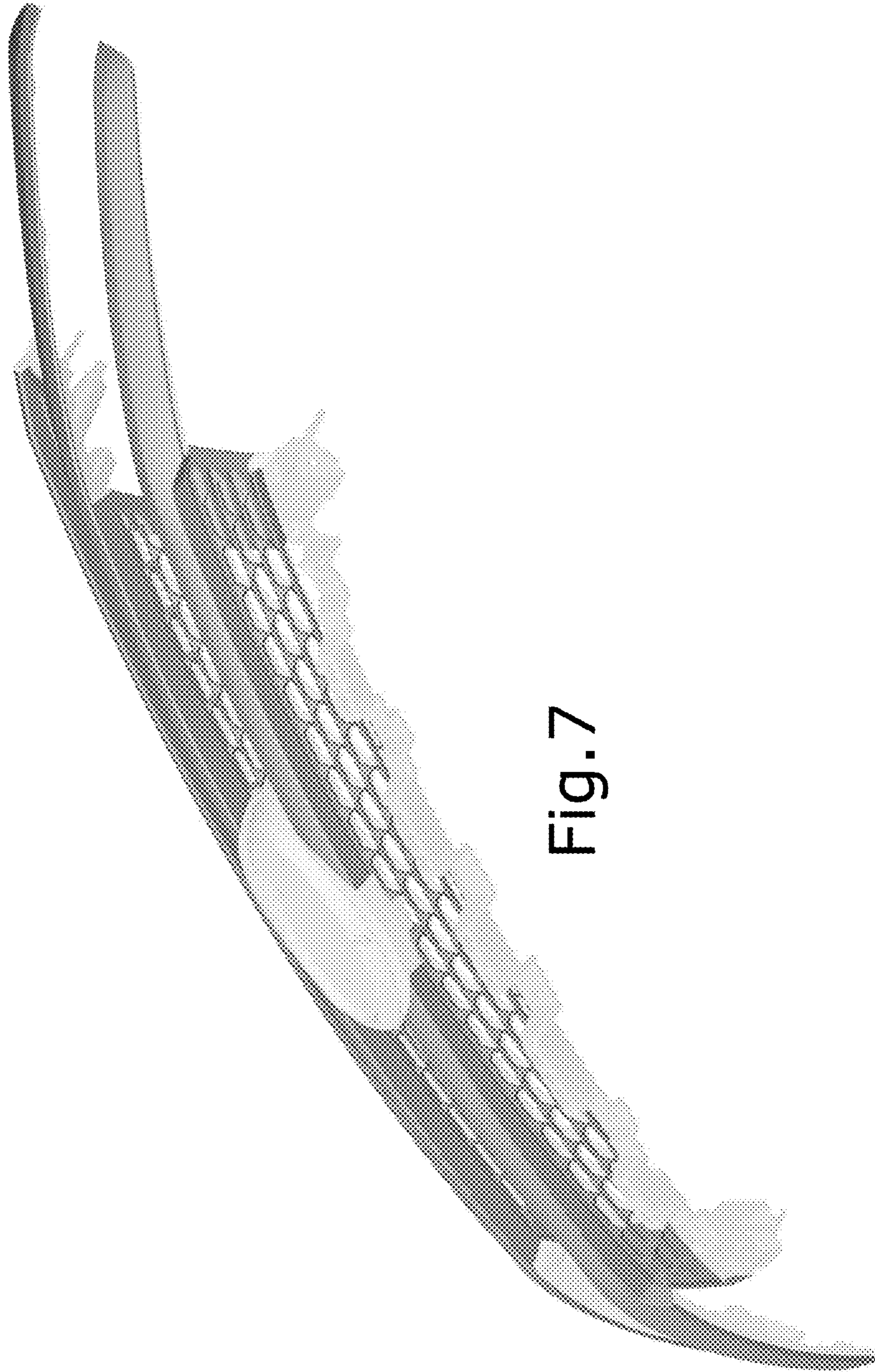


Fig. 7