



US00D981288S

(12) **United States Design Patent**  
**Zhu**

(10) **Patent No.:** **US D981,288 S**  
(45) **Date of Patent:** **\*\* Mar. 21, 2023**

(54) **ELECTRIC BICYCLE**

(71) Applicant: **Ningbo Lushang New Energy Technology Co., Ltd., Zhejiang (CN)**

(72) Inventor: **Feng Zhu, Zhejiang (CN)**

(\*\*) Term: **15 Years**

(21) Appl. No.: **29/800,131**

(22) Filed: **Jul. 19, 2021**

(30) **Foreign Application Priority Data**

Feb. 1, 2021 (CN) ..... 202130072813.2

(51) **LOC (14) Cl.** ..... **12-11**

(52) **U.S. Cl.**  
USPC ..... **D12/111**

(58) **Field of Classification Search**  
USPC ..... D12/111, 117; D21/412, 414, 419,  
D21/423-428, 431-435

CPC ..... B62K 3/00; B62K 3/02; B62K 3/06  
See application file for complete search history.

(56) **References Cited**

**U.S. PATENT DOCUMENTS**

D662,445 S *	6/2012	Uimonen	D12/111
D730,778 S *	6/2015	Harness	D12/111
D795,747 S *	8/2017	Bailie	D12/111
D803,728 S *	11/2017	Kamler	D21/432
D807,232 S *	1/2018	Bailie	D21/432
D807,233 S *	1/2018	Zhang	D12/111
D890,633 S *	7/2020	Zhou	D12/111
D909,920 S *	2/2021	Zhu	D12/111
D910,497 S *	2/2021	Sun	D12/111
D914,548 S *	3/2021	Chen	D12/111
D914,549 S *	3/2021	Chen	D12/111
D917,349 S *	4/2021	Fan	D12/111
D918,778 S *	5/2021	Shi	D12/111
D920,169 S *	5/2021	Li	D12/111
D924,102 S *	7/2021	Avery	D12/111

D929,269 S *	8/2021	Chen	D12/111
D933,538 S *	10/2021	Chen	D12/111
D934,120 S *	10/2021	Zhu	D12/111
D948,384 S *	4/2022	Cai	D12/111
D951,144 S *	5/2022	Tomohiko	D12/111
D952,521 S *	5/2022	Wang	D12/111
D953,936 S *	6/2022	Zhu	D12/111
D956,631 S *	7/2022	Okonsky	D12/111
D957,291 S *	7/2022	Deng	D12/111
D960,054 S *	8/2022	Yang	D12/111
D960,769 S *	8/2022	Chen	D12/111
2010/0314187 A1 *	12/2010	Chen	B62M 6/60 180/206.8
2014/0076650 A1 *	3/2014	Kim	B62K 3/10 180/220

(Continued)

**OTHER PUBLICATIONS**

Laurens van Rooijen. "d & i Awards announced by Taipei Cycle." Show Daily., Feb. 24, 2021 [online], [retrieved on Oct. 20, 2022]. Retrieved from the Internet <URL: <https://www.showdaily.net/2021/02/d-i-awards-announced-by-taipei-cycle/>>.\*

(Continued)

*Primary Examiner* — Darlington Ly

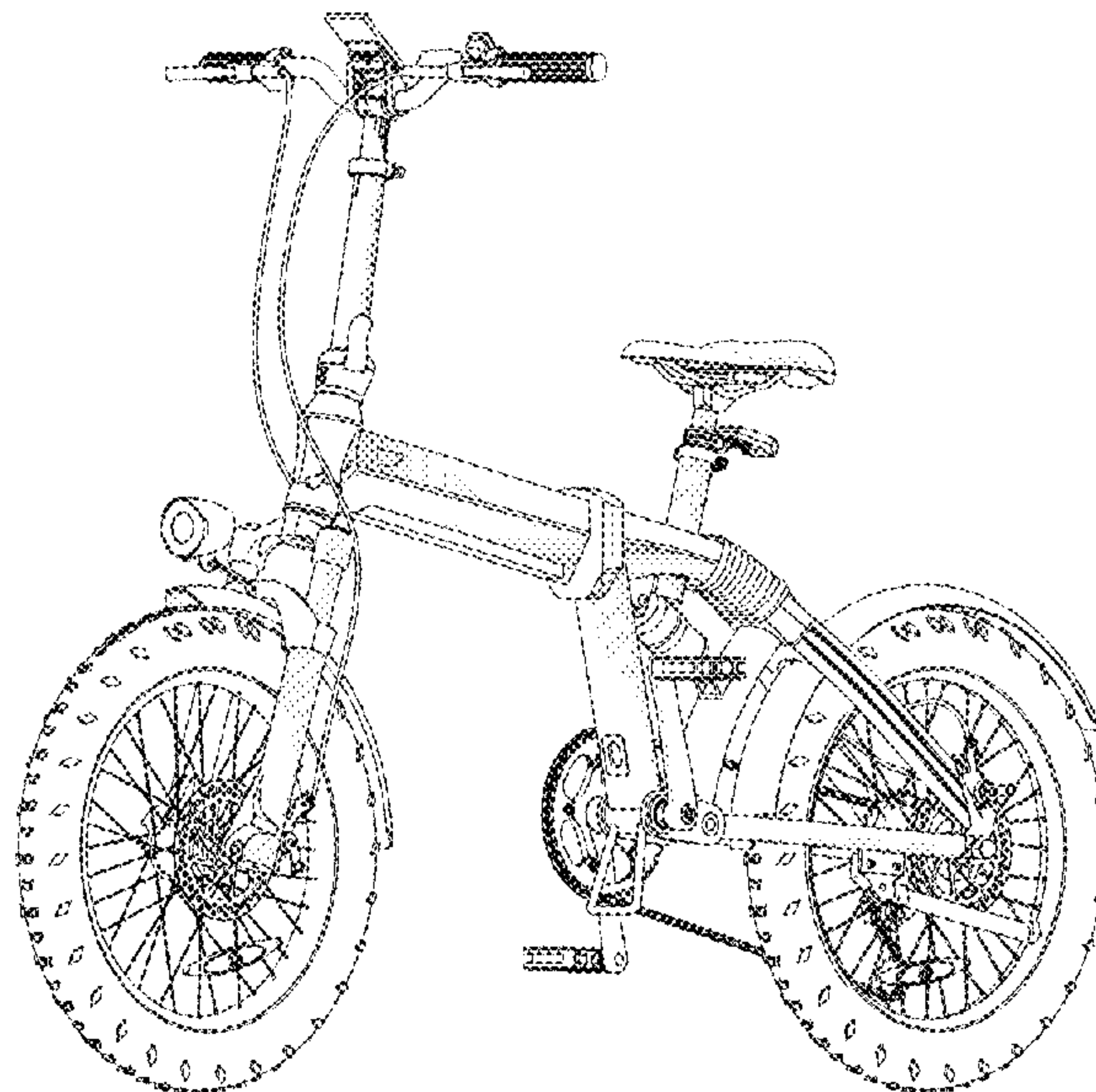
(57) **CLAIM**

The ornamental design for an electric bicycle, as shown and described.

**DESCRIPTION**

FIG. 1 is a front and left side perspective view of an electric bicycle embodying my new design;  
FIG. 2 is a front elevation view thereof;  
FIG. 3 is a rear elevation view thereof;  
FIG. 4 is a right side elevation view thereof;  
FIG. 5 is a left side elevation view thereof;  
FIG. 6 is a top plan view thereof; and,  
FIG. 7 is a bottom plan view thereof.

**1 Claim, 7 Drawing Sheets**



(56)

**References Cited**

U.S. PATENT DOCUMENTS

2014/0076652 A1\* 3/2014 Kim ..... B62K 15/006  
180/220  
2020/0079471 A1\* 3/2020 Eguchi ..... B62K 19/40

OTHER PUBLICATIONS

Zach Overholt. "Taipei Cycle Gold Awards by iF for 2021." Bike Rumor., Feb. 24, 2021 [online], [retrieved on Oct. 20, 2022]. Retrieved from the Internet <URL: <https://bikerumor.com/taipei-cycle-gold-awards-by-if-for-2021-include-products-from-merida-liv-cadex-more/>>.\*

Ruaan Nelson. "Folding Electric Bikes: We review the best foldable e-bikes for 2022." Bike Rumor., Jul. 9, 2022 [online], [retrieved on Oct. 20, 2022]. Retrieved from the Internet <URL: <https://electric-biking.com/folding-electric-bike/>>.\*

\* cited by examiner

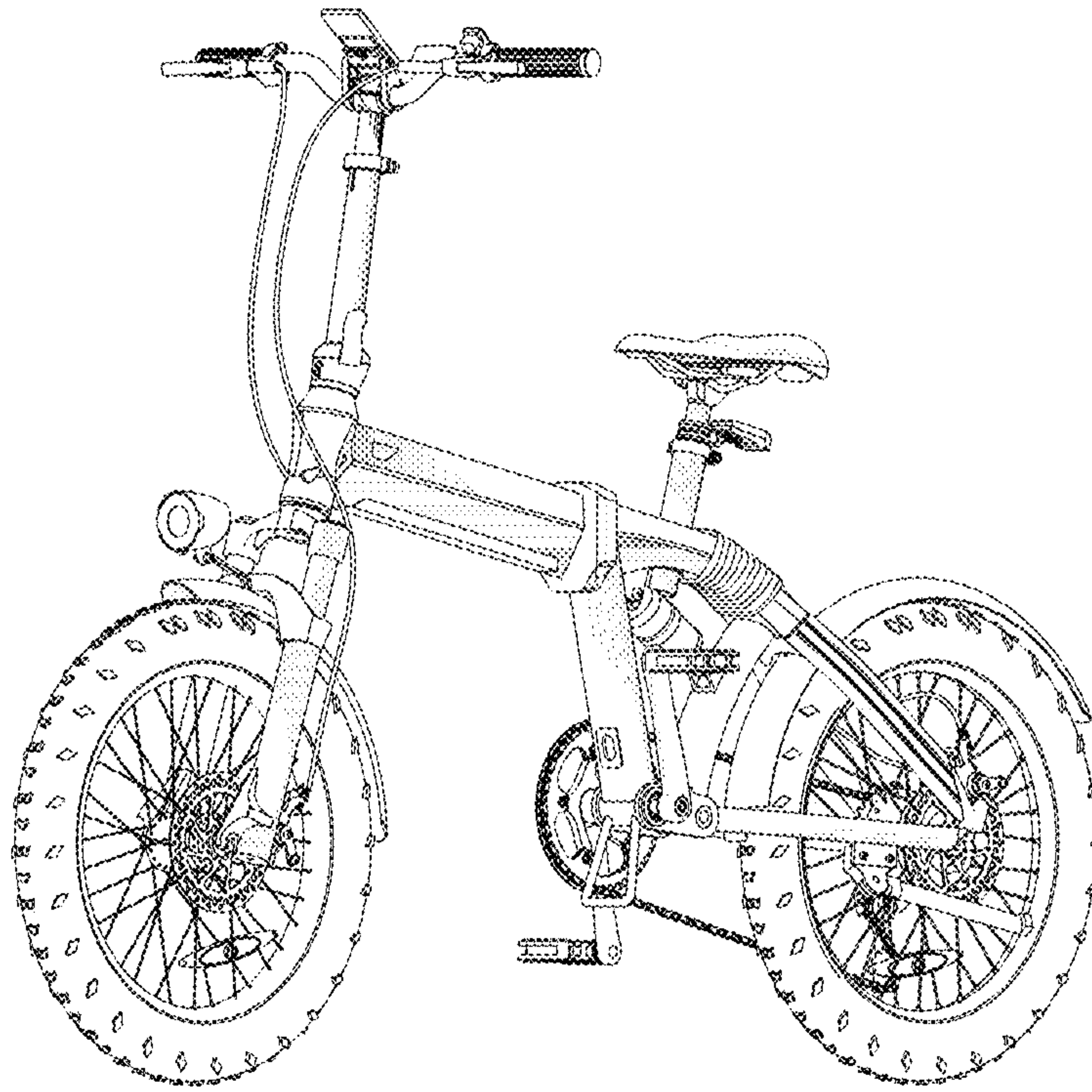


FIG. 1

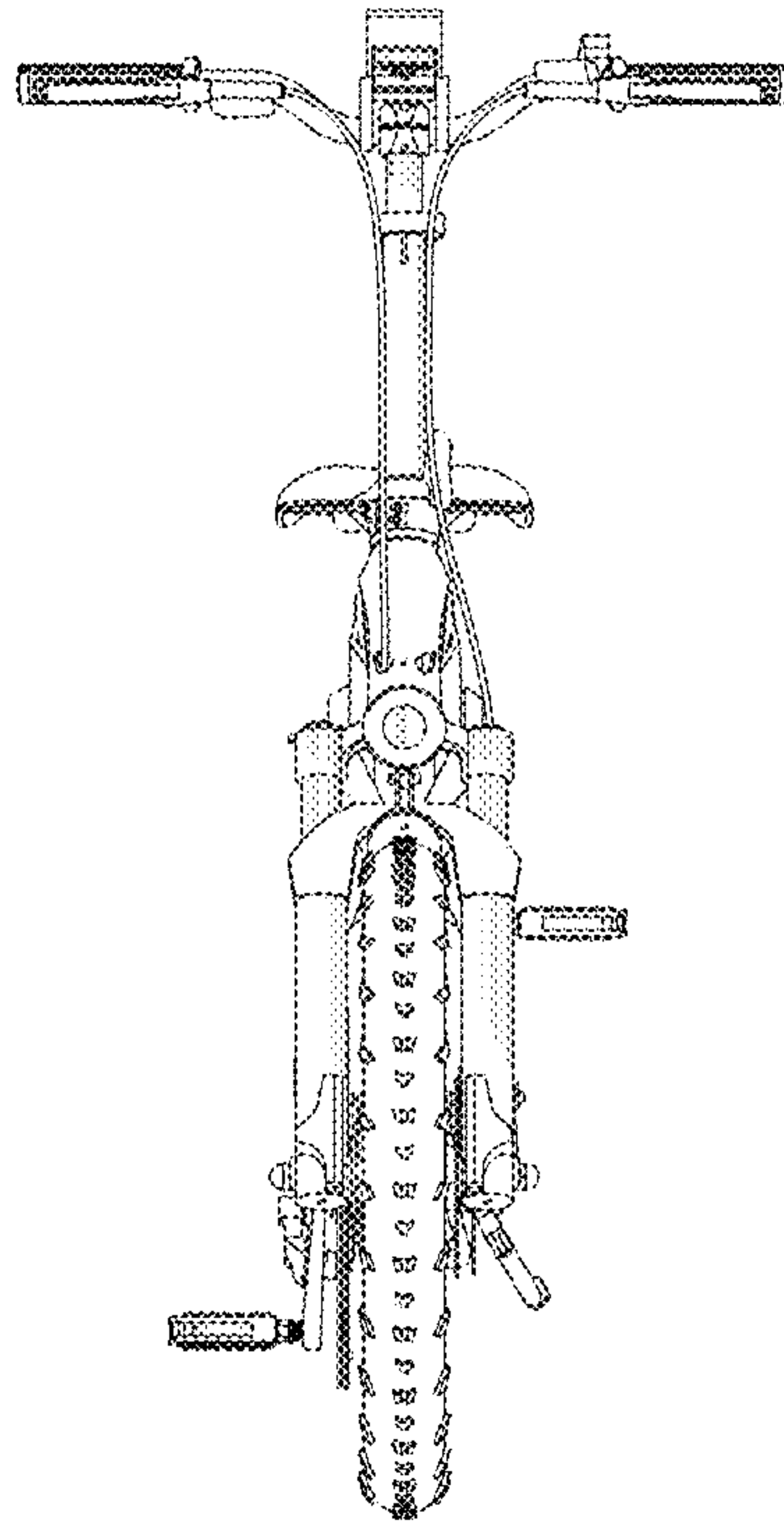


FIG. 2

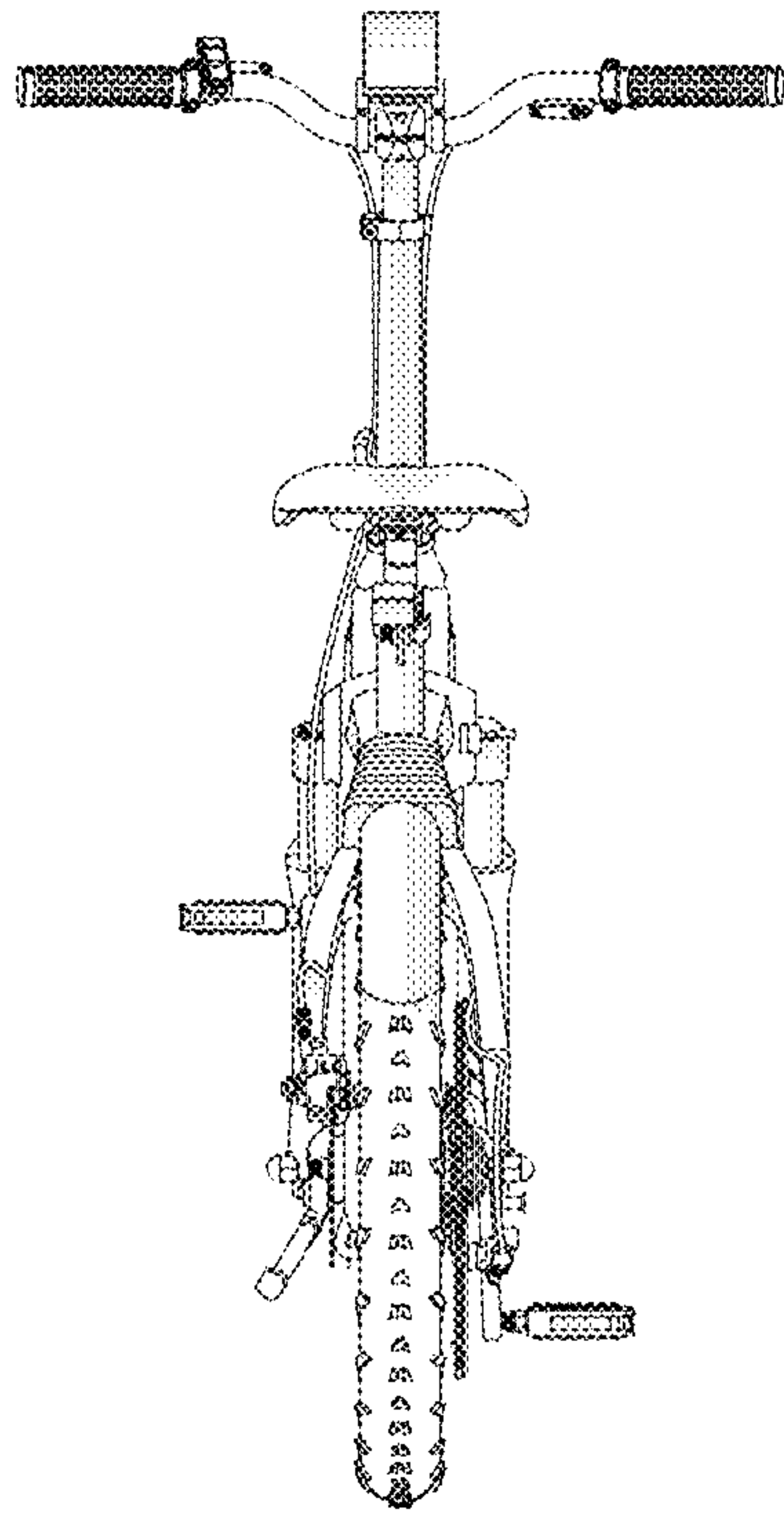


FIG. 3



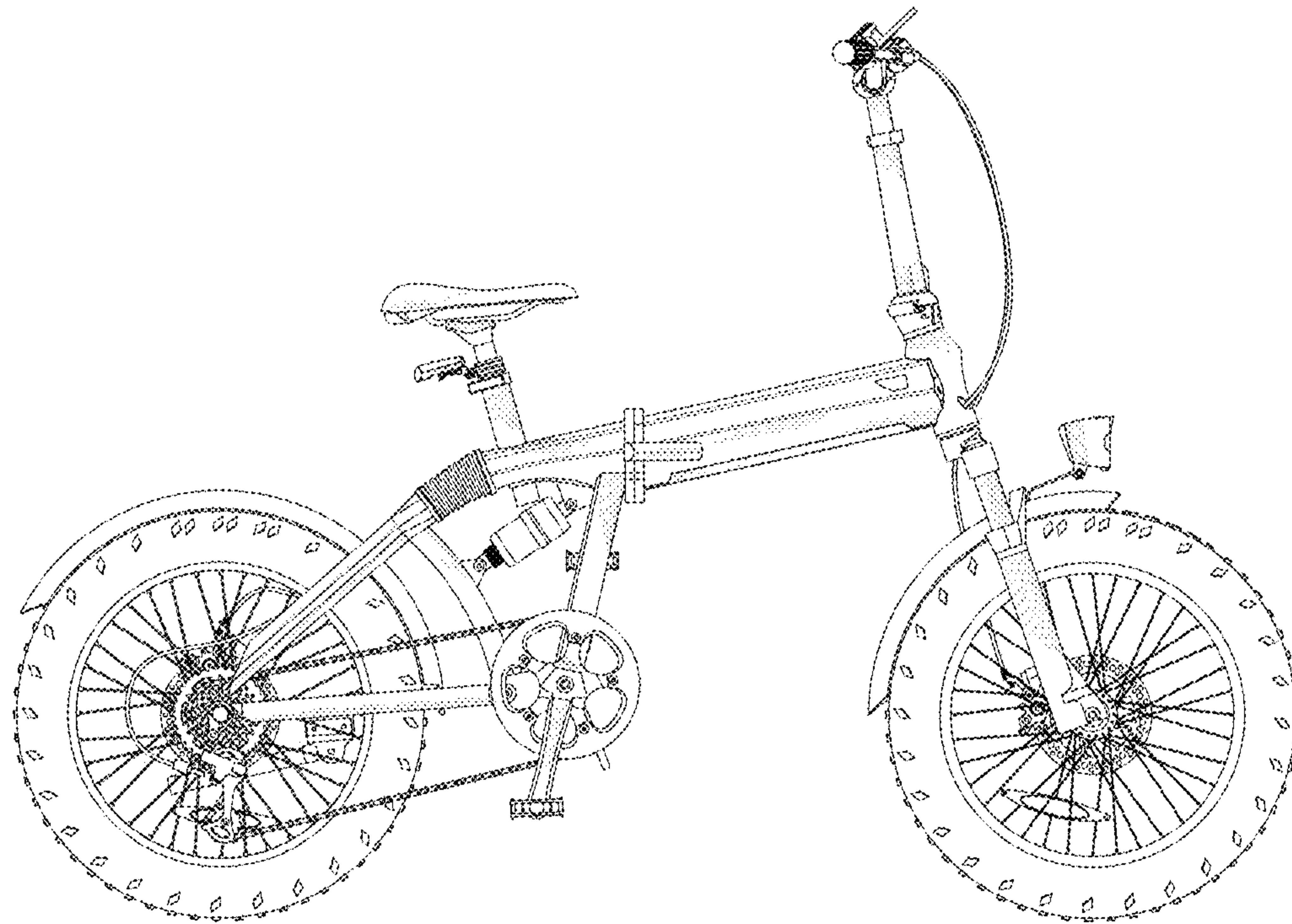


FIG. 4

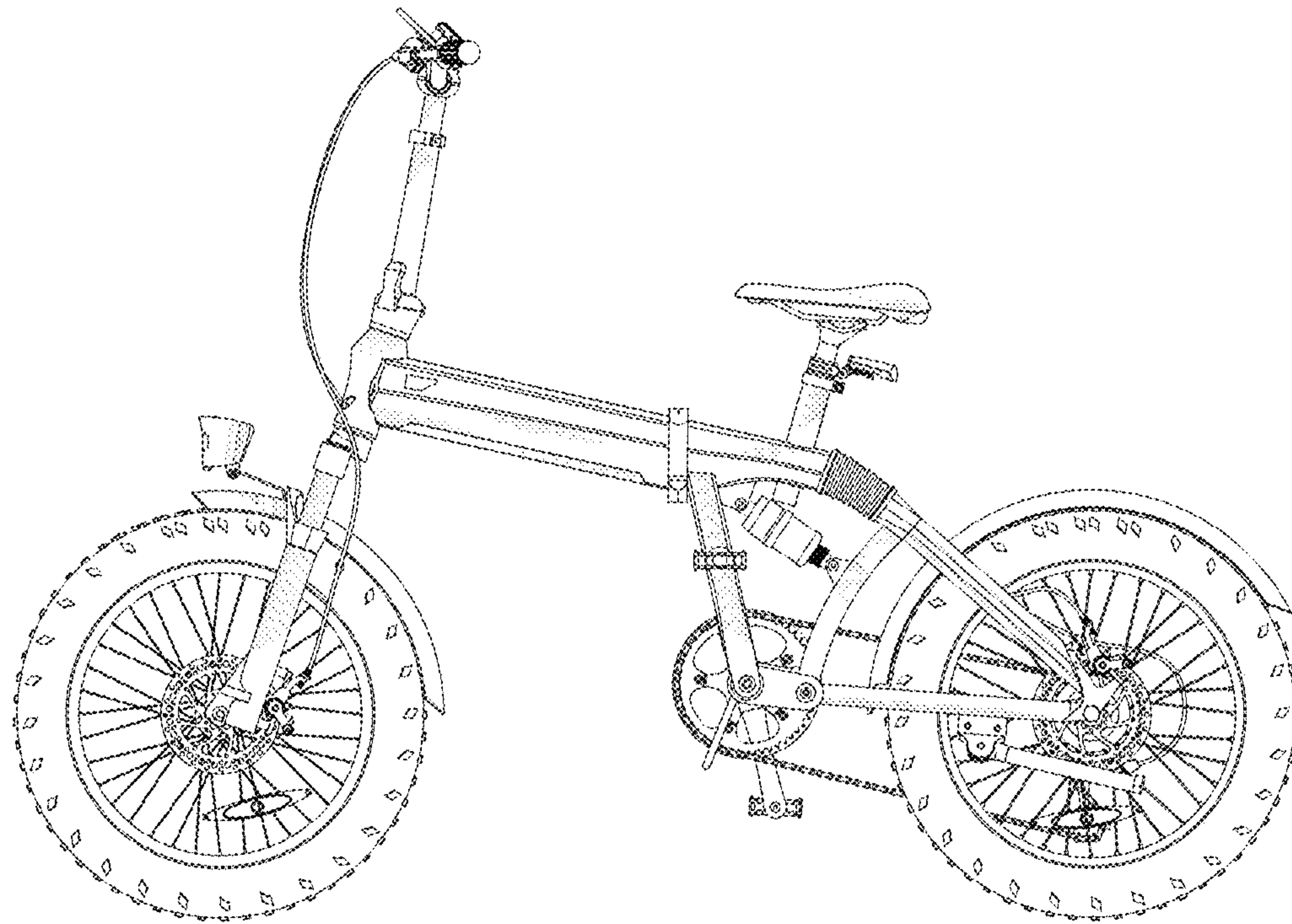


FIG. 5

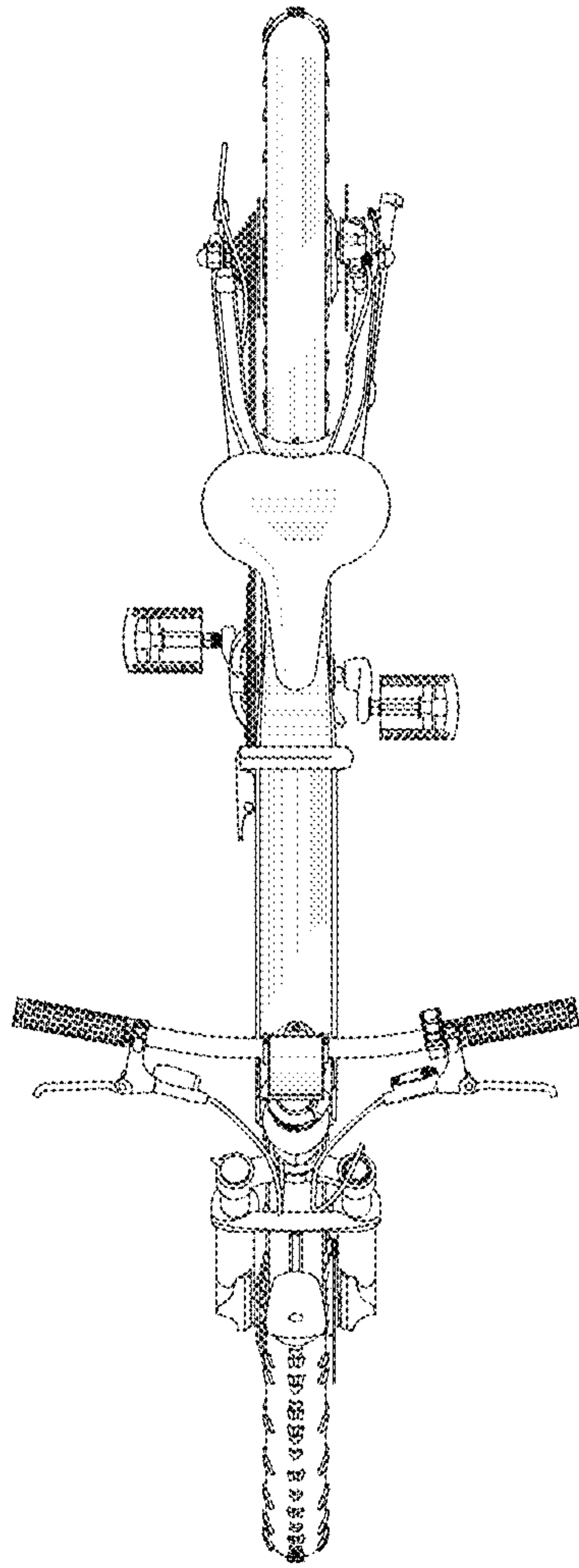


FIG. 6



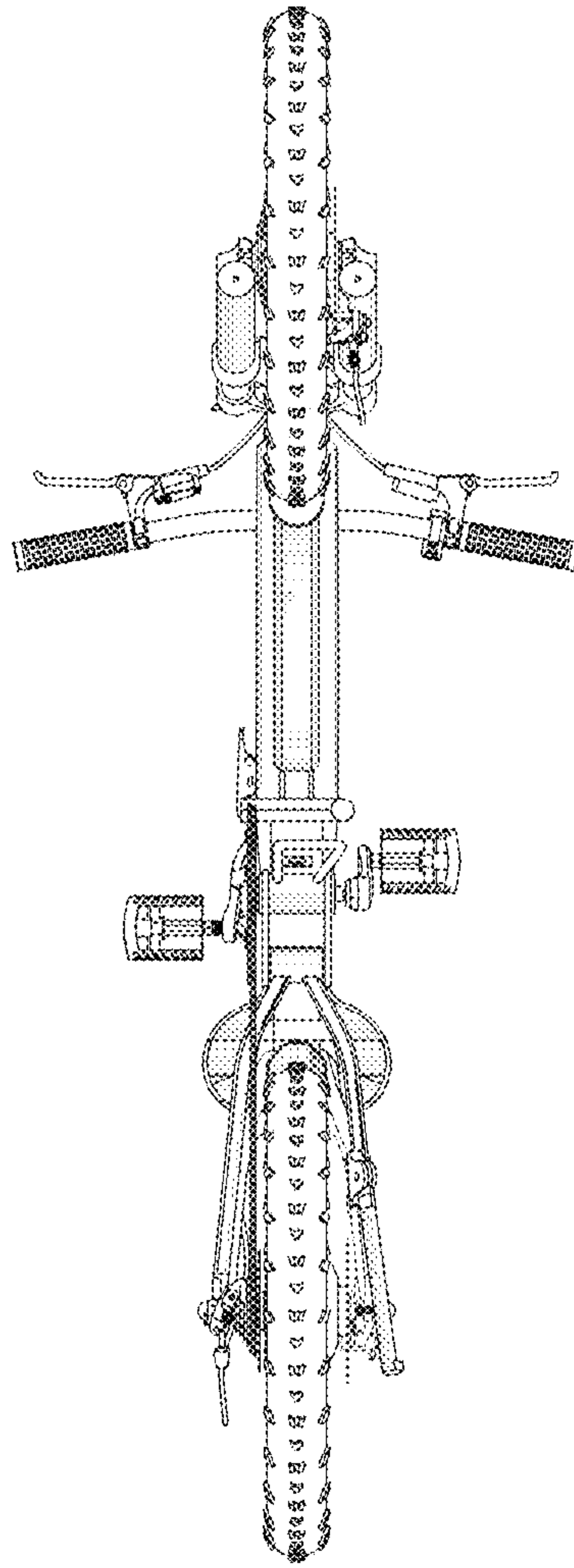


FIG. 7