



US00D981287S

(12) **United States Design Patent** (10) **Patent No.:** **US D981,287 S**
Toerner et al. (45) **Date of Patent:** **** Mar. 21, 2023**

(54) **BICYCLE FRAME**
(71) Applicant: **Micro Electric Inc.**, St. Petersburg, FL (US)
(72) Inventors: **Kendall Robert Toerner**, Snoqualmie, WA (US); **Euwyn Poon**, Vancouver (CA); **William Clay Ford, III**, Cambridge, MA (US); **Jared Asher Sartee**, Pemberton (CA)
(73) Assignee: **Micro Electric Inc.**, St. Petersburg, FL (US)
(**) Term: **15 Years**
(21) Appl. No.: **29/782,476**
(22) Filed: **May 6, 2021**
(51) **LOC (14) Cl.** **12-11**
(52) **U.S. Cl.**
USPC **D12/111**
(58) **Field of Classification Search**
USPC D12/111, 117; D21/412, 414, 419, D21/423-428, 431-435
CPC B62K 3/00; B62K 3/02; B62K 3/06
See application file for complete search history.

(56) **References Cited**

U.S. PATENT DOCUMENTS

D659,597 S * 5/2012 Chen B62K 9/00 D21/432
D671,173 S * 11/2012 Tompkin D21/432
8,794,654 B1 * 8/2014 Chen B62K 15/006 280/278
D825,395 S * 8/2018 Gafni D21/432
D842,168 S * 3/2019 Garklavs D12/111
D864,796 S * 10/2019 Grossjohann D21/435
D924,102 S * 7/2021 Avery D12/111
D950,423 S * 5/2022 Chen D12/111
2013/0277934 A1 * 10/2013 De Roeck B62K 9/02 280/87.021
2014/0077470 A1 * 3/2014 Chen B62K 9/00 280/87.05

2016/0075400 A1 * 3/2016 Ragland B62K 9/00 29/401.1
2016/0200389 A1 * 7/2016 Chen B62K 9/00 280/639
2017/0291629 A1 * 10/2017 O Connell B62K 15/006
2021/0086857 A1 * 3/2021 Lu B62K 13/04
2022/0281552 A1 * 9/2022 Liao B62M 7/12

OTHER PUBLICATIONS

“The 7 Best Wooden Balance Bikes . . .” Think Tank Toys., Jun. 29, 2021 [online], [retrieved on Oct. 19, 2022]. Retrieved from the Internet <URL: <https://thinktanktoys.com/best-wooden-balance-bike/#:~:text=7%20Best%20Wooden%20Balance%20Bikes%20Reviews%201%201.,7%207.%20Zum%20CX%20Wooden%20Balance%20Bike%20>>.*
“5 Best Wooden Balance Bikes.” Two Wheeling Tots., Sep. 12, 2022 [online], [retrieved on Oct. 19, 2022]. Retrieved from the Internet <URL: <https://www.twowheelingtots.com/best-wooden-balance-bikes/>>.*

* cited by examiner

Primary Examiner — Darlington Ly
(74) *Attorney, Agent, or Firm* — Cognition IP, P.C.; Edward Steakley

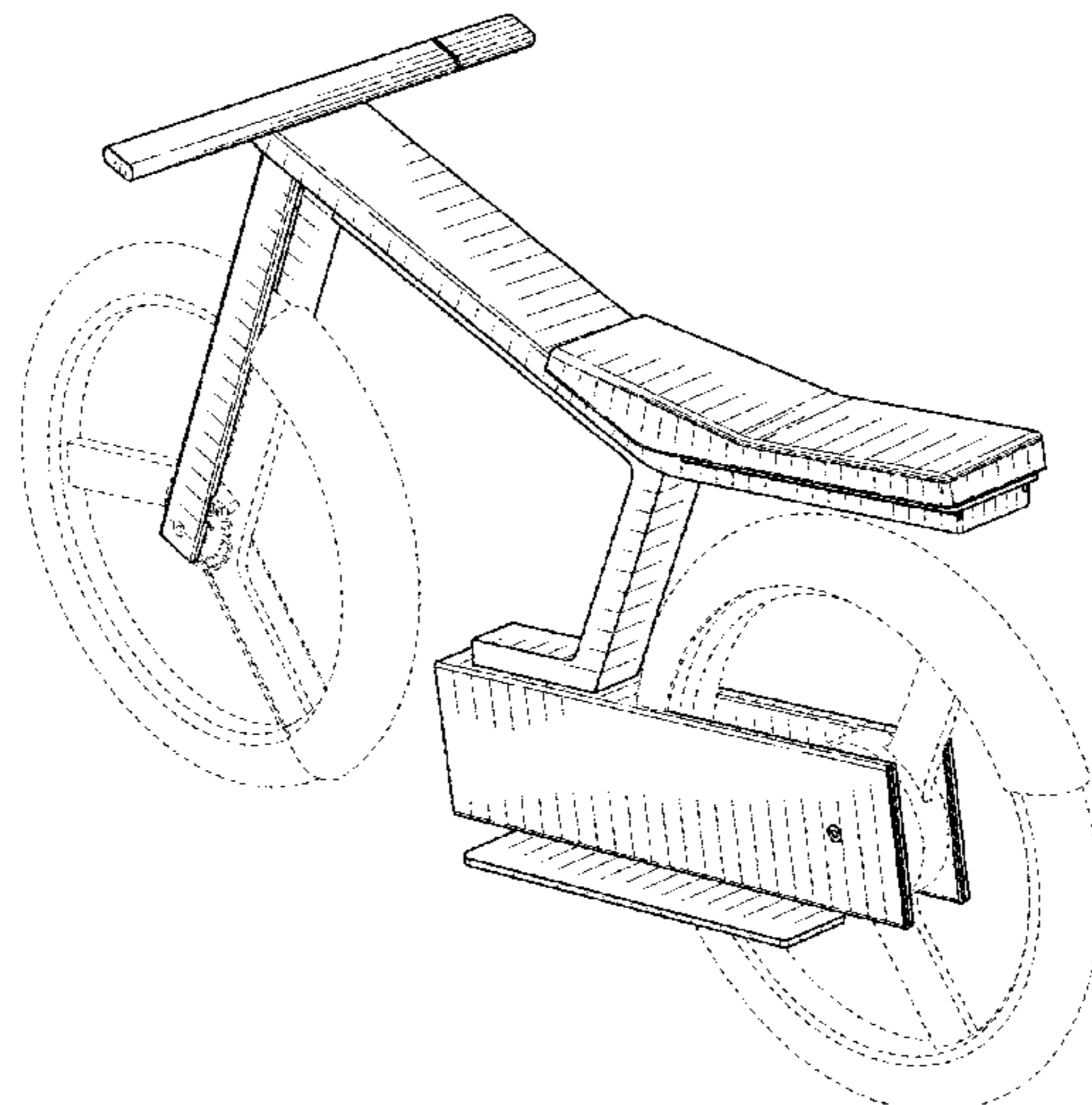
(57) **CLAIM**

The ornamental design for a bicycle frame, as shown and described.

DESCRIPTION

FIG. 1 is a top, rear, and left side perspective view of a bicycle frame embodying our new design; FIG. 2 is a front elevation view thereof; FIG. 3 is a rear elevation view thereof; FIG. 4 is a left side elevation view thereof; FIG. 5 is a top plan view thereof; and, FIG. 6 is a bottom plan view thereof. The broken lines in the drawings illustrate portions of the bicycle frame and environmental bicycle structures that form no part of the claimed design.

1 Claim, 4 Drawing Sheets



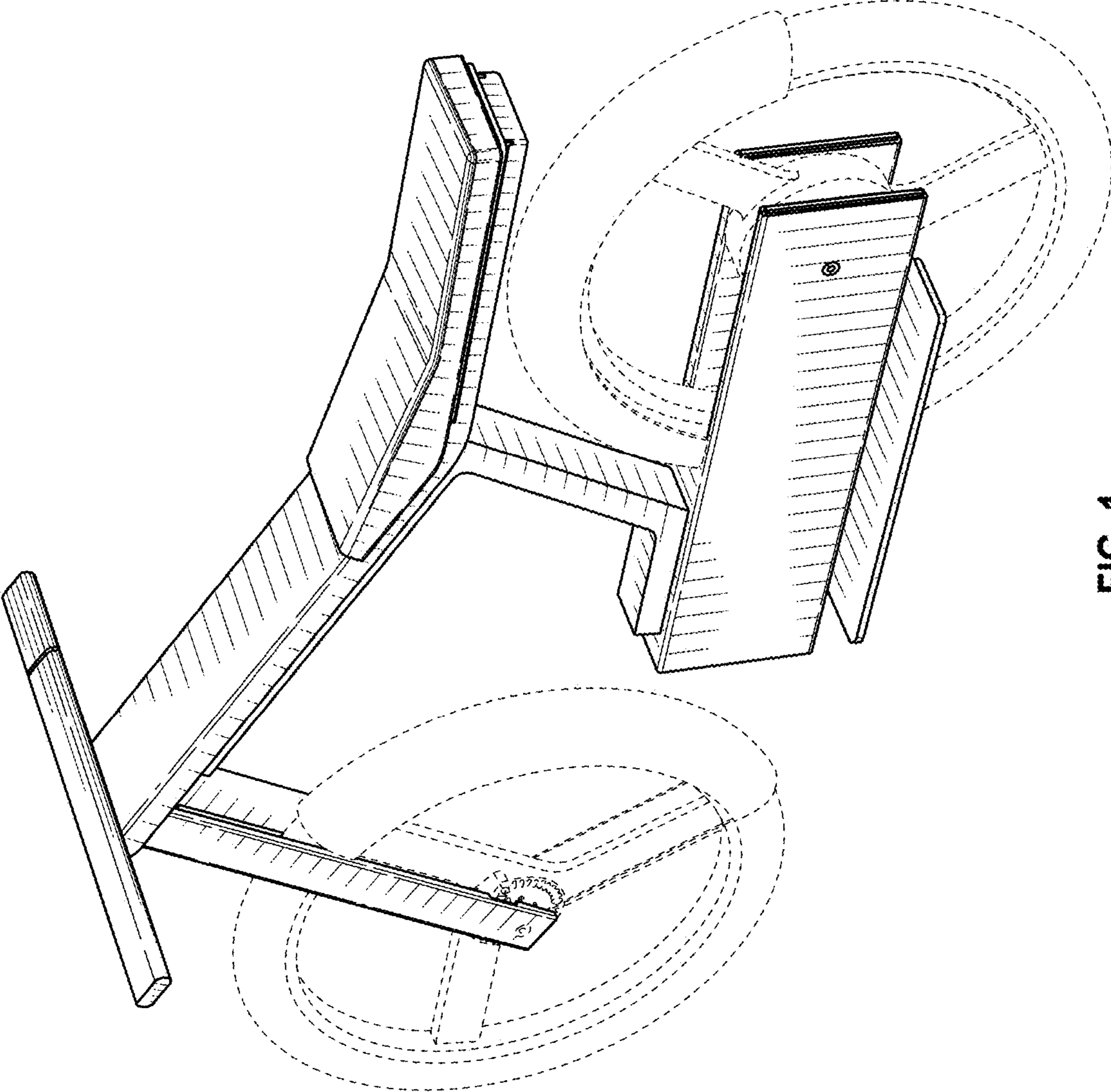


FIG. 1

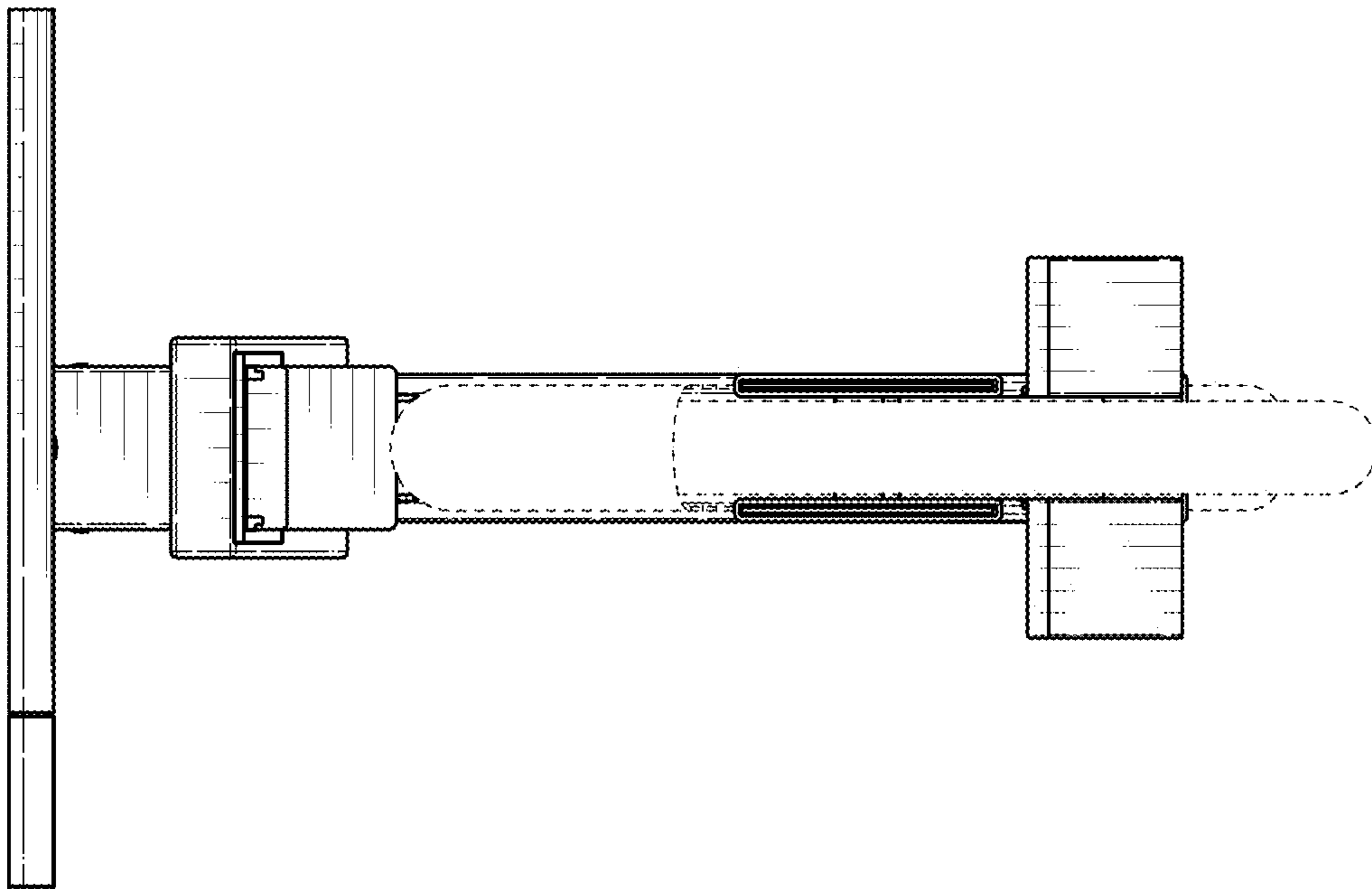


FIG. 2

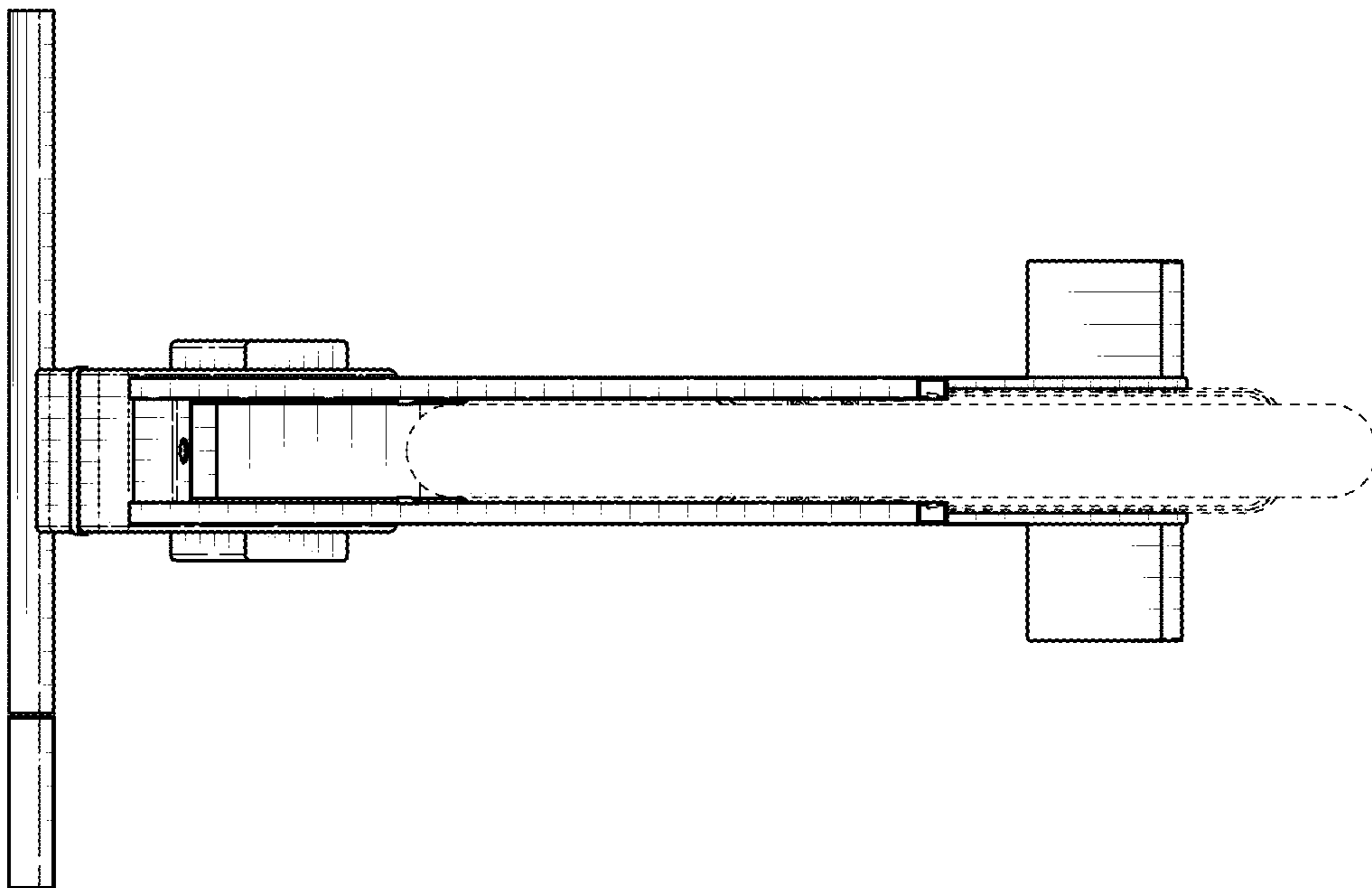


FIG. 3

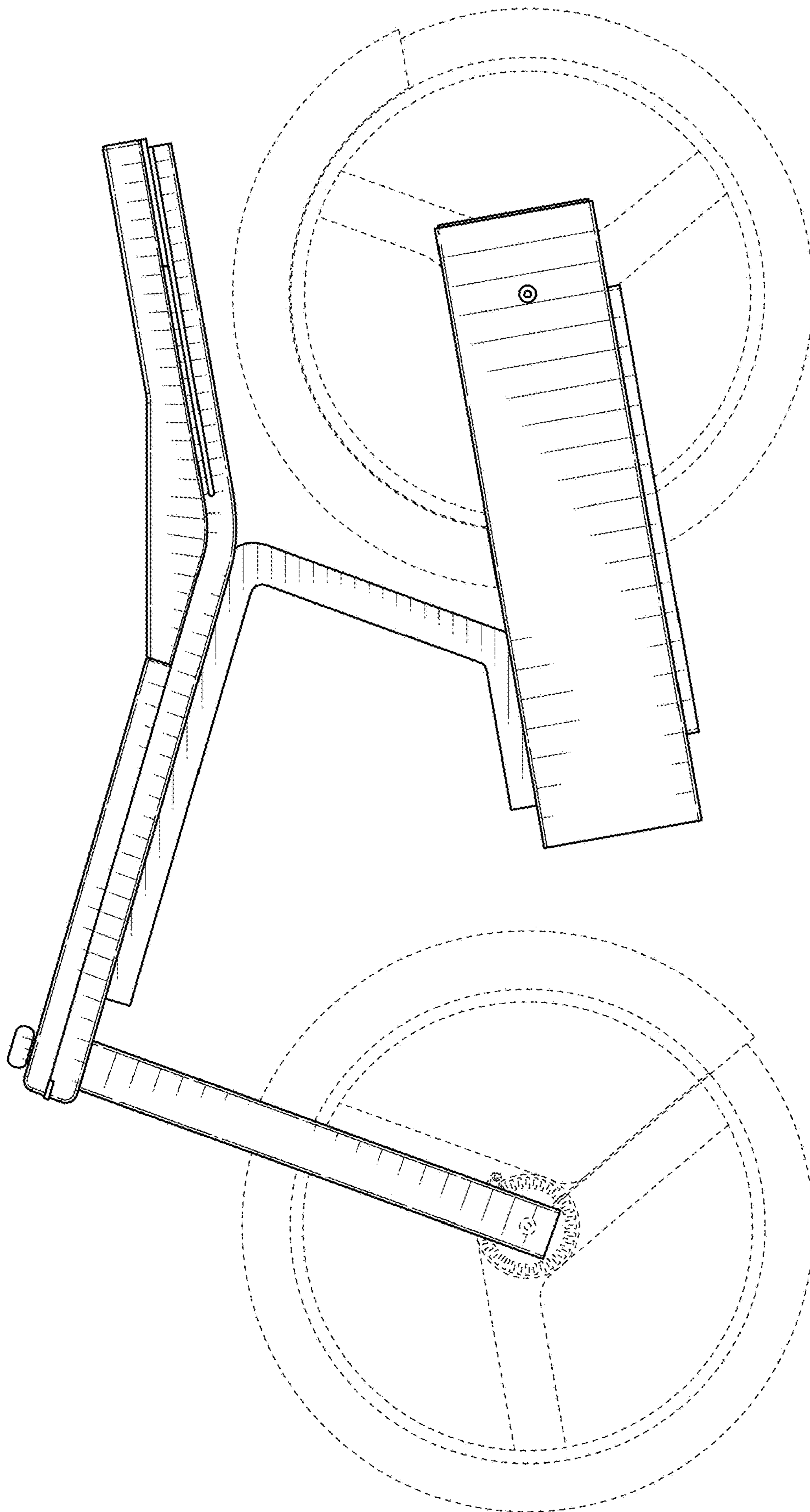


FIG. 4

