



US00D981284S

(12) **United States Design Patent**  
**Su et al.**

(10) **Patent No.:** **US D981,284 S**  
(45) **Date of Patent:** **\*\* Mar. 21, 2023**

(54) **SEMI-TRUCK**

(56) **References Cited**

(71) Applicant: **WISDOM (FUJIAN) MOTOR CO., LTD.**, Fujian (CN)

U.S. PATENT DOCUMENTS

(72) Inventors: **Liqian Su**, Fujian (CN); **Cheng Chen**, Fujian (CN)

D339,314 S	*	9/1993	Moar	.....	D12/96
D626,890 S	*	11/2010	Cantemir	.....	D12/16
D735,614 S	*	8/2015	Alemanly	.....	D12/96
D814,357 S	*	4/2018	Milton	.....	D12/93
D825,391 S	*	8/2018	Von Holzhausen	.....	D12/96
D825,392 S	*	8/2018	Von Holzhausen	.....	D12/96
D859,217 S	*	9/2019	Von Holzhausen	.....	D12/96
D860,056 S	*	9/2019	Von Holzhausen	.....	D12/96
D871,267 S	*	12/2019	Armigliato	.....	D12/93
D933,532 S	*	10/2021	Kupitza	.....	D12/93
D945,931 S	*	3/2022	Kim	.....	D12/93
D962,826 S	*	9/2022	Su	.....	D12/93

(\*\*) Term: **15 Years**

(21) Appl. No.: **29/763,742**

(22) Filed: **Dec. 23, 2020**

(51) **LOC (14) Cl.** ..... **12-08**

(52) **U.S. Cl.**  
USPC ..... **D12/93**

(58) **Field of Classification Search**  
 USPC ... D12/1, 14, 82, 84, 85, 86, 87, 88, 89, 90,  
 D12/91, 92, 93, 94, 96, 97, 98, 99, 100,  
 D12/164, 167, 169, 170, 171, 172, 173,  
 D12/181, 184, 185, 190, 192, 196;  
 D21/533, 548, 552, 561  
 CPC ..... B60Y 2200/10; B60Y 2200/14; B60Y  
 2200/22; B60Y 2200/41; B60Y 2200/90;  
 B60Y 2200/91; B60Y 2200/112; B60Y  
 2200/141; B60Y 2200/142; B60Y  
 2200/1422; B62D 33/00; B62D 33/06;  
 B62D 33/077; B62D 33/0604; B62D  
 33/0612; B62D 29/045; B62D 31/00;  
 B62D 31/003; B62D 25/00; B62D 25/02;  
 B62D 25/08; B62D 25/10; B62D 25/12;  
 B62D 25/105

See application file for complete search history.

\* cited by examiner

*Primary Examiner* — Cary M Robinson

*Assistant Examiner* — Adam C Mager

(74) *Attorney, Agent, or Firm* — Prakash Nama; Global IP Services, PLLC

(57) **CLAIM**

The ornamental design for a semi-truck, as shown and described.

**DESCRIPTION**

FIG. 1 is a front elevational view of a semi-truck showing our new design;

FIG. 2 is a rear elevational view thereof;

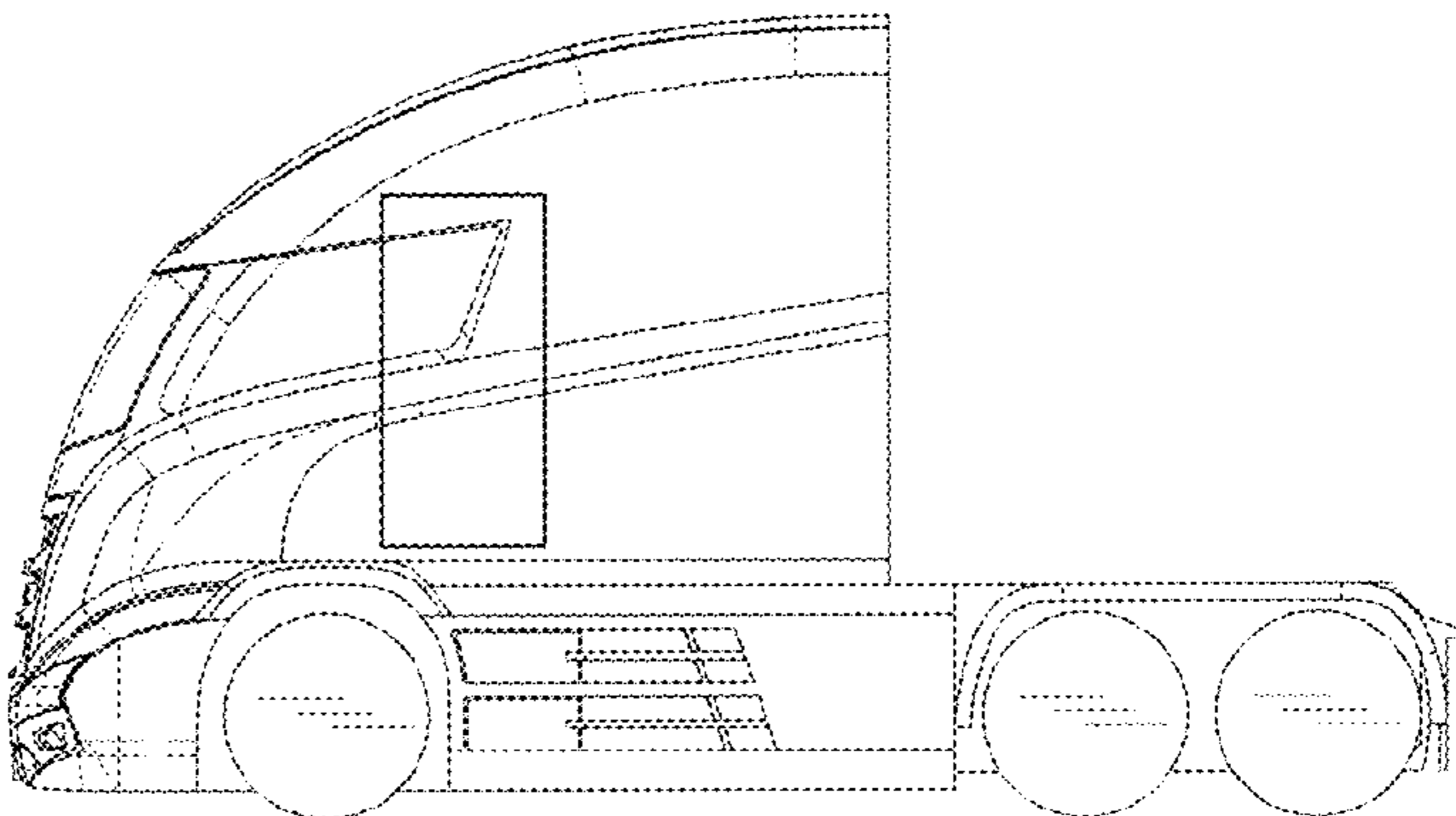
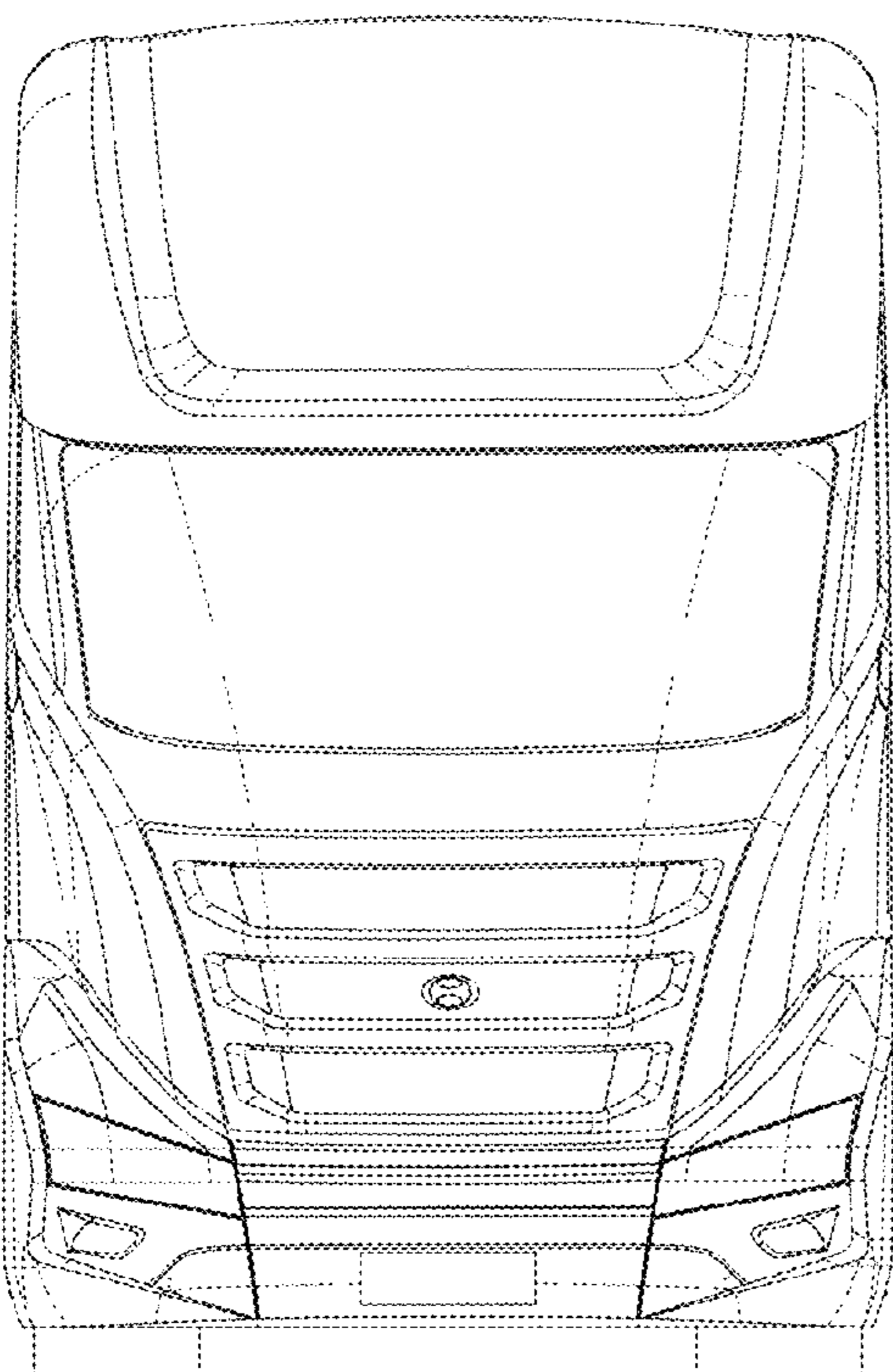
FIG. 3 is a left side view thereof;

FIG. 4 is a right side view thereof;

FIG. 5 is a perspective view thereof; and,

FIG. 6 is another perspective view thereof.

**1 Claim, 6 Drawing Sheets**



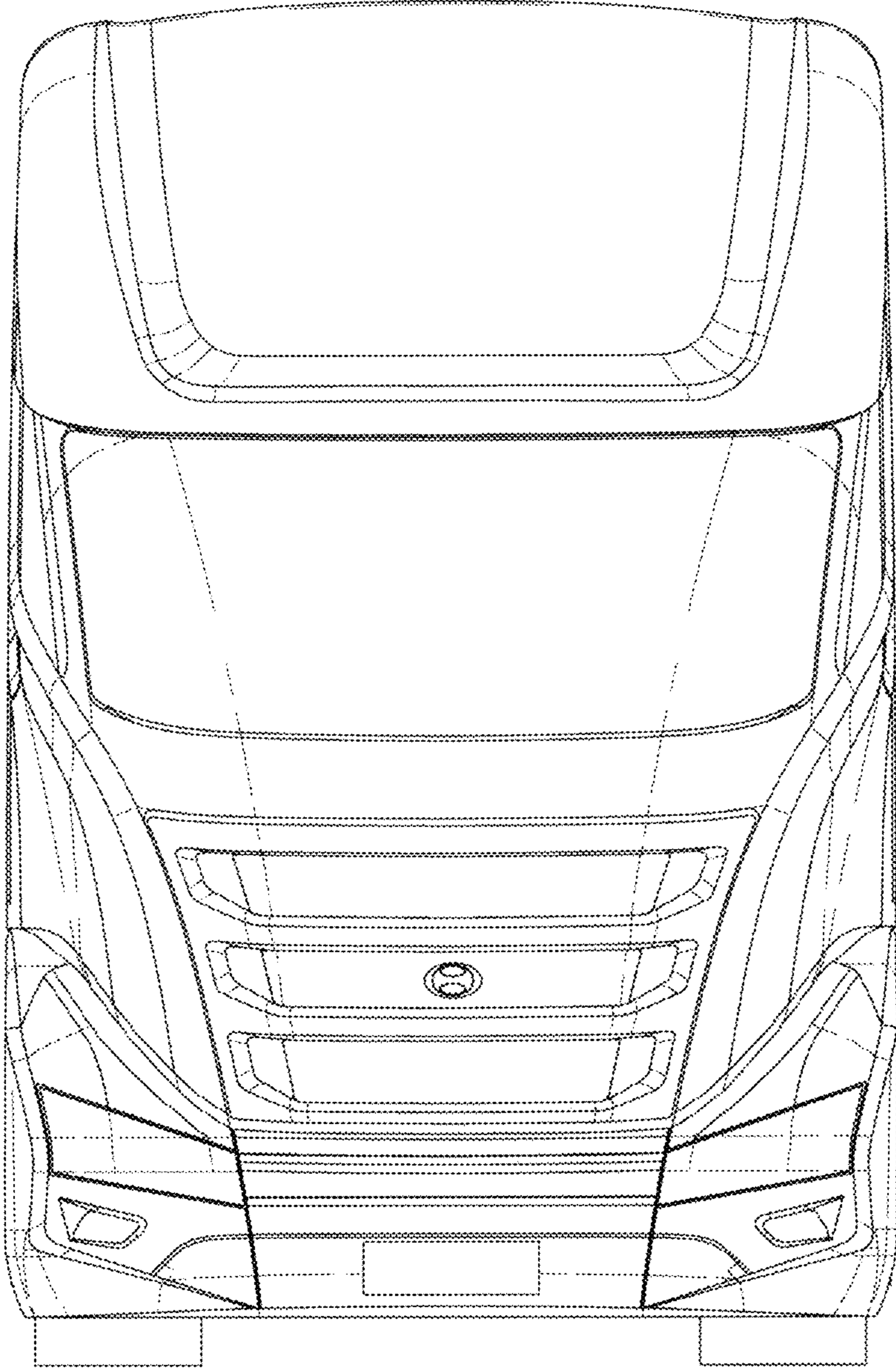


FIG.1

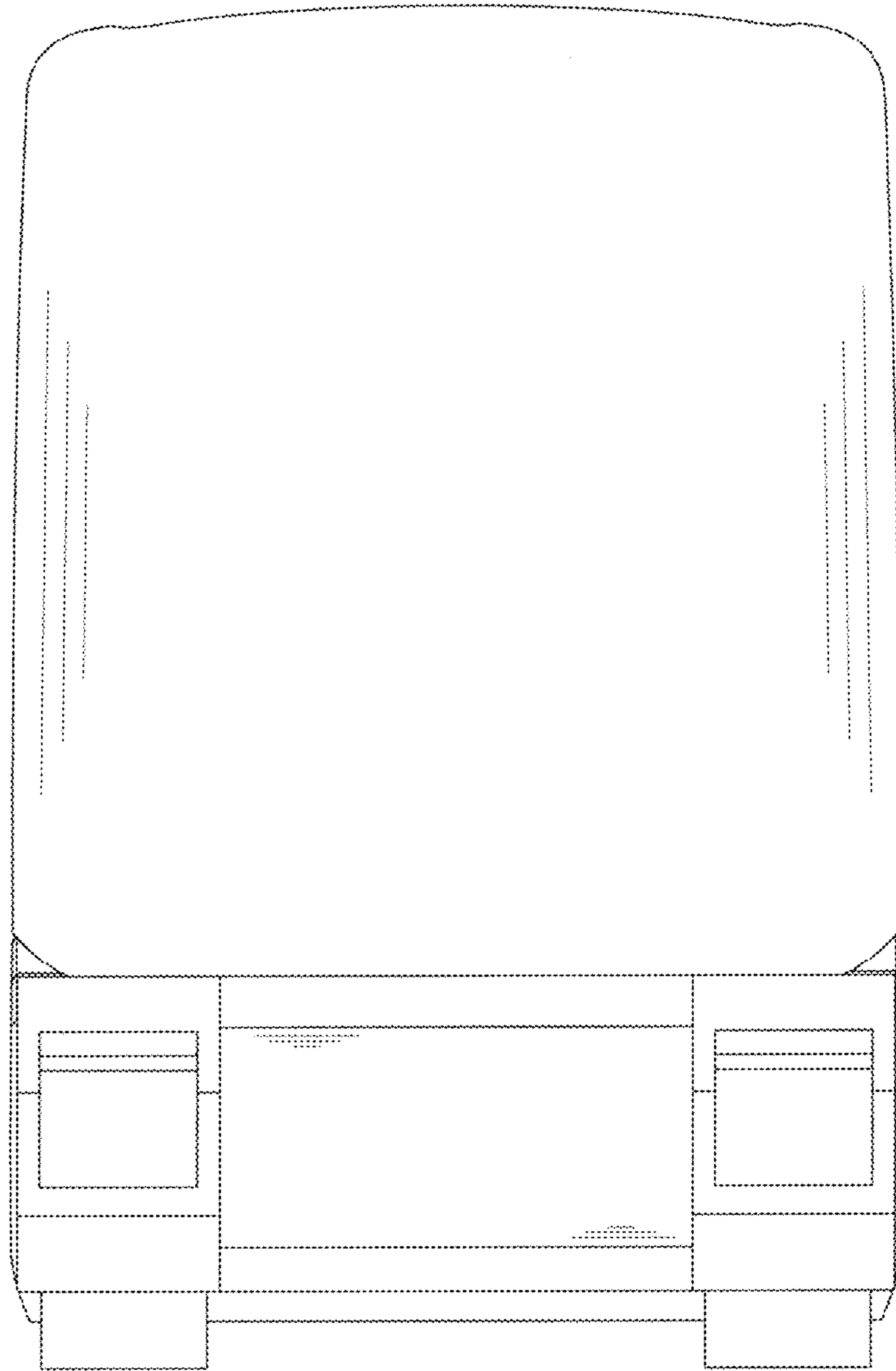


FIG.2

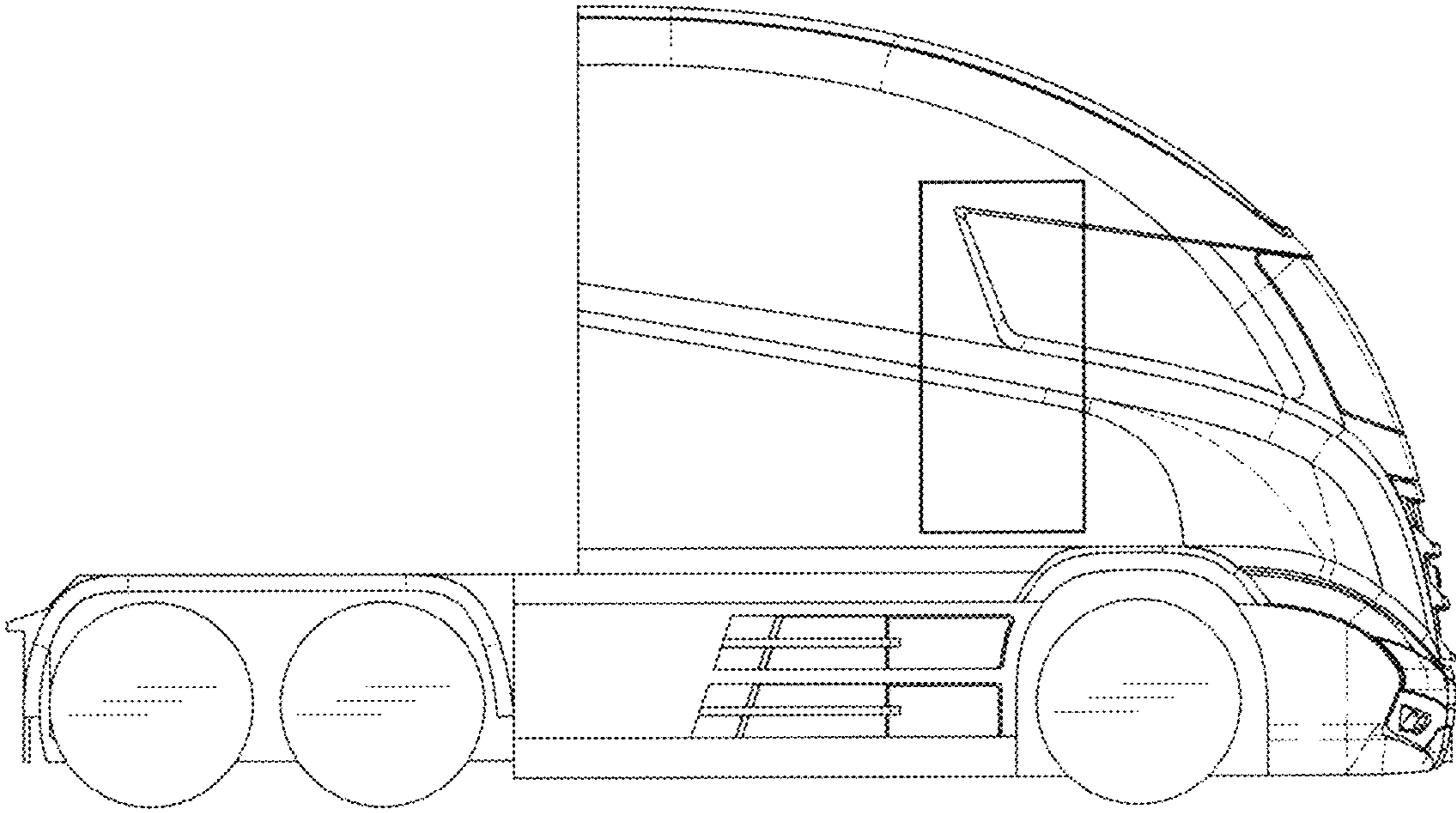


FIG.3

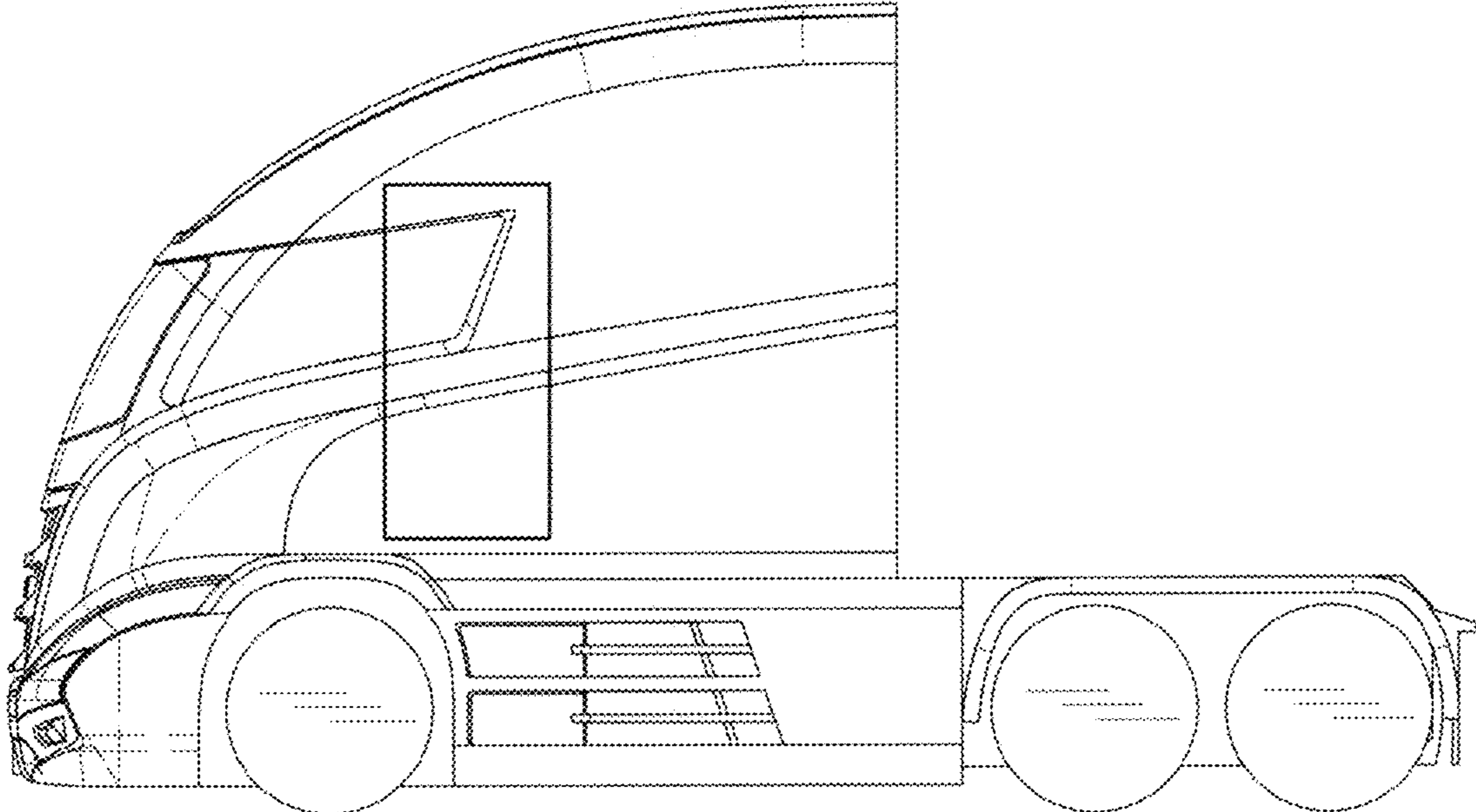


FIG.4

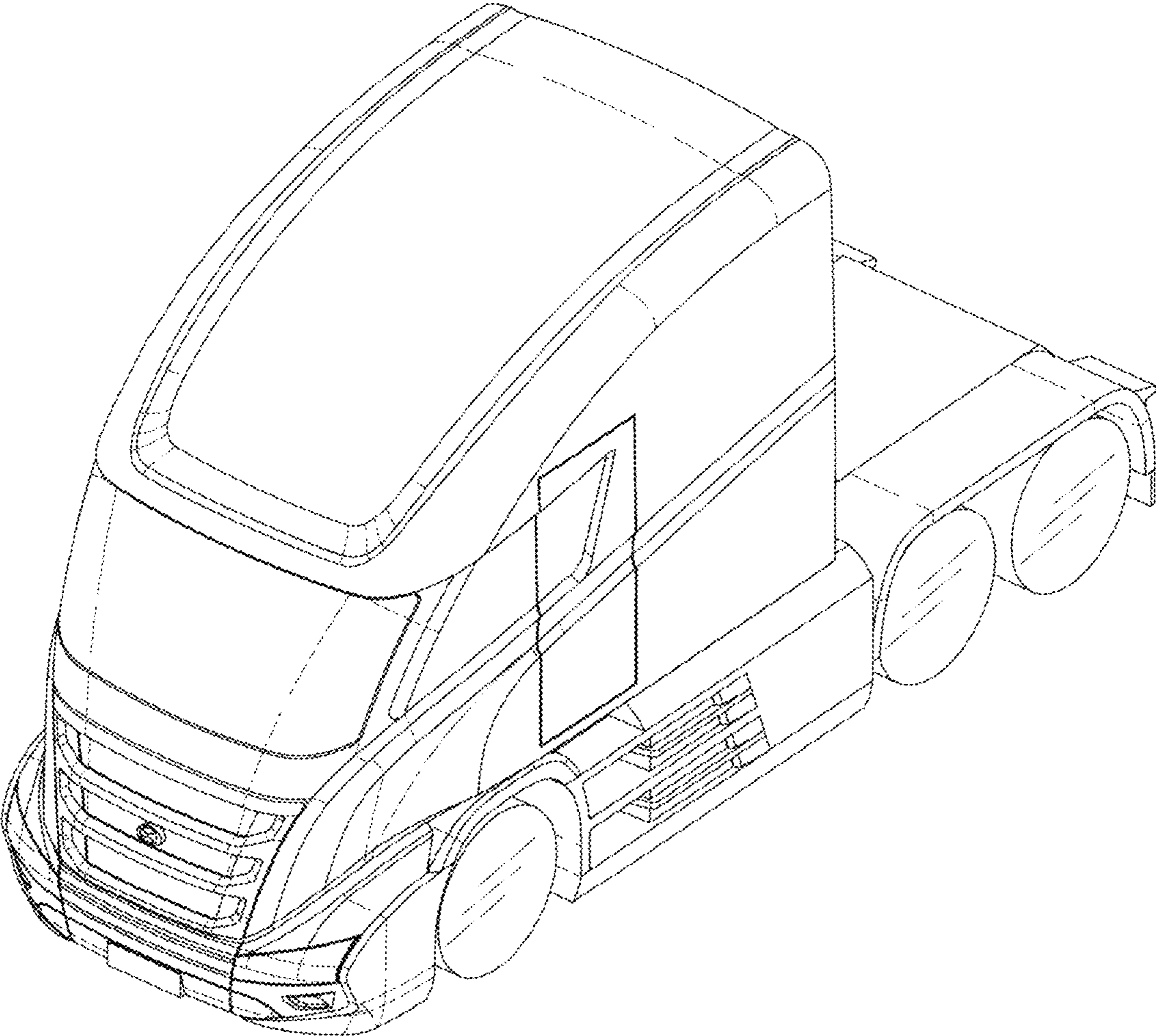


FIG.5

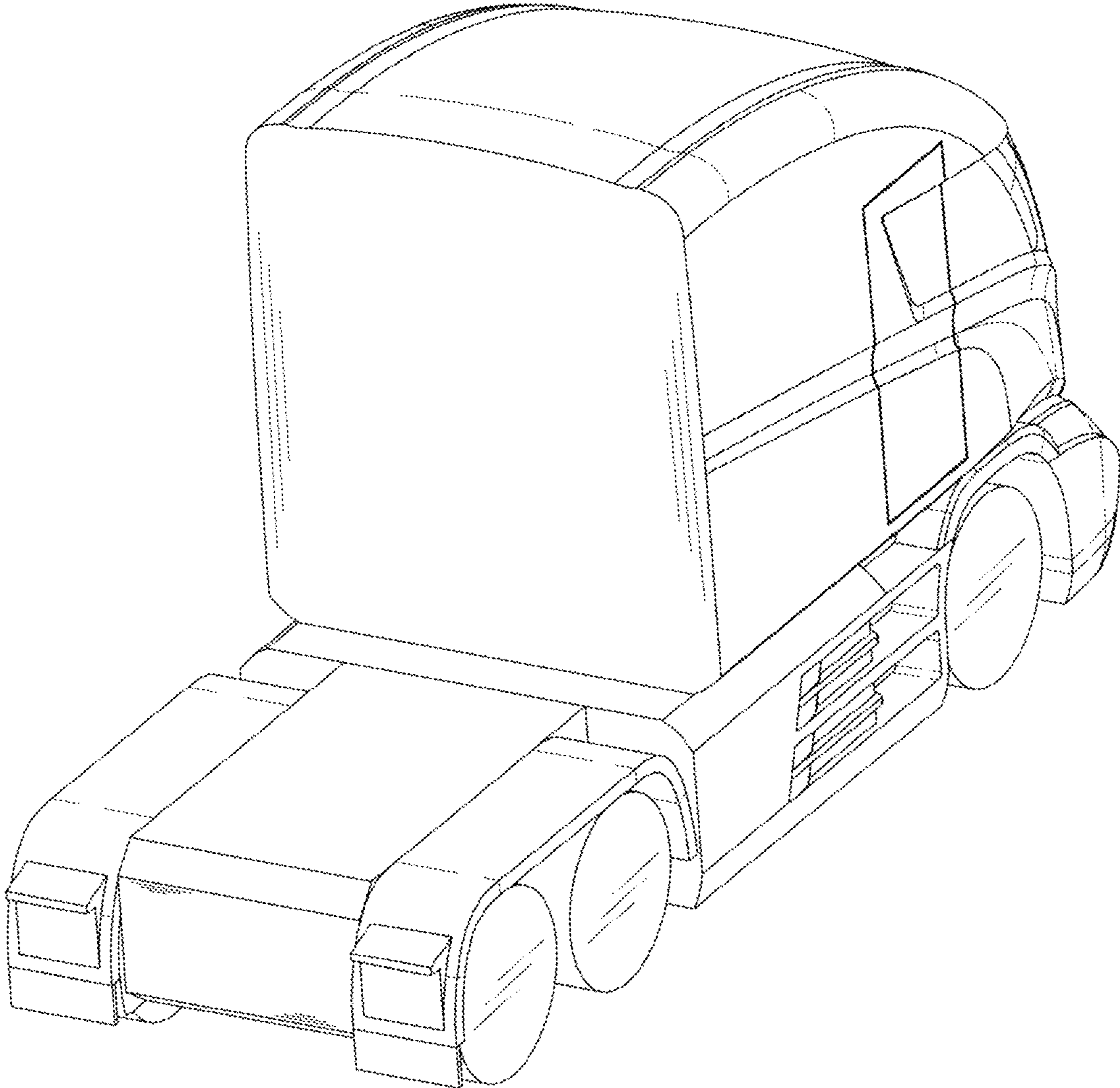


FIG.6