



US00D981280S

(12) **United States Design Patent**  
**Depeyster et al.**

(10) **Patent No.:** **US D981,280 S**  
(45) **Date of Patent:** **\*\* Mar. 21, 2023**

(54) **MOTOR VEHICLE, TOY REPLICA, AND/OR OTHER REPLICA**

(71) Applicant: **Ford Global Technologies, LLC,**  
Dearborn, MI (US)

(72) Inventors: **Damon G. Depeyster,** Northville, MI (US); **Soohyoung Kim,** Northville, MI (US); **William J. Mangan,** Ypsilanti, MI (US); **Todd Willing,** Grosse Pointe, MI (US)

(73) Assignee: **Ford Global Technologies, LLC,**  
Dearborn, MI (US)

(\*\*) Term: **15 Years**

(21) Appl. No.: **29/803,438**

(22) Filed: **Aug. 12, 2021**

(51) **LOC (14) Cl.** ..... **12-08**

(52) **U.S. Cl.**  
USPC ..... **D12/91**

(58) **Field of Classification Search**  
USPC .... D12/86, 90-92, 164; D21/433, 434, 533,  
D21/535; 296/181.1-181.5, 183.1  
CPC ..... B62D 25/00; B62D 25/06; B62D 33/00;  
B62D 35/00

See application file for complete search history.

(56) **References Cited**

**U.S. PATENT DOCUMENTS**

D727,210 S 4/2015 Grake et al.  
D819,495 S 6/2018 Bucher et al.

D819,496 S 6/2018 Bucher et al.  
D927,357 S \* 8/2021 Park ..... D12/91  
D928,037 S \* 8/2021 Park ..... D12/91  
D928,038 S \* 8/2021 Park ..... D12/91  
D933,529 S \* 10/2021 Woodhouse ..... D12/91  
D933,530 S \* 10/2021 Woodhouse ..... D12/91  
D937,707 S \* 12/2021 Park ..... D12/91  
D964,891 S \* 9/2022 Kabaň ..... D12/91  
D969,024 S \* 11/2022 Arguden ..... D12/91

\* cited by examiner

*Primary Examiner* — Melody N Brown

(74) *Attorney, Agent, or Firm* — Vichit Chea

(57) **CLAIM**

The ornamental design for a motor vehicle, toy replica, and/or other replica, as shown and described.

**DESCRIPTION**

FIG. 1 is a front elevational view of a motor vehicle, toy replica, and/or other replica showing our new design; FIG. 2 is a rear elevational view thereof; FIG. 3 is a left side elevational view thereof; FIG. 4 is a right side elevational view thereof; FIG. 5 is a top plan view thereof. FIG. 6 is a top, front, and left side perspective view thereof; and, FIG. 7 is a top, rear, and left side perspective view thereof. The claimed design is indicated by the relatively dark portions in the figures. The de-emphasized and relatively light portions form no part of the claimed design.

**1 Claim, 7 Drawing Sheets**





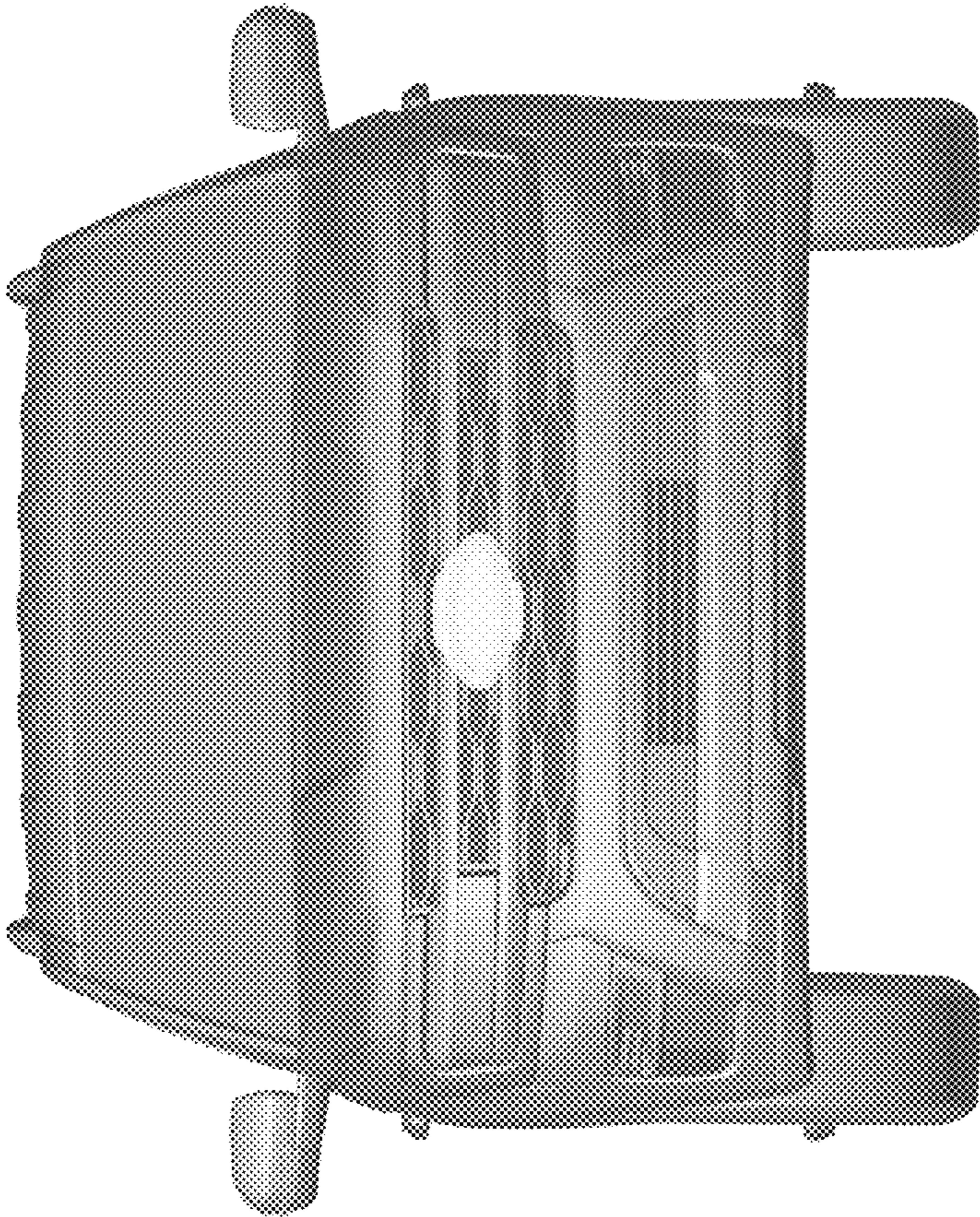


Fig. 1

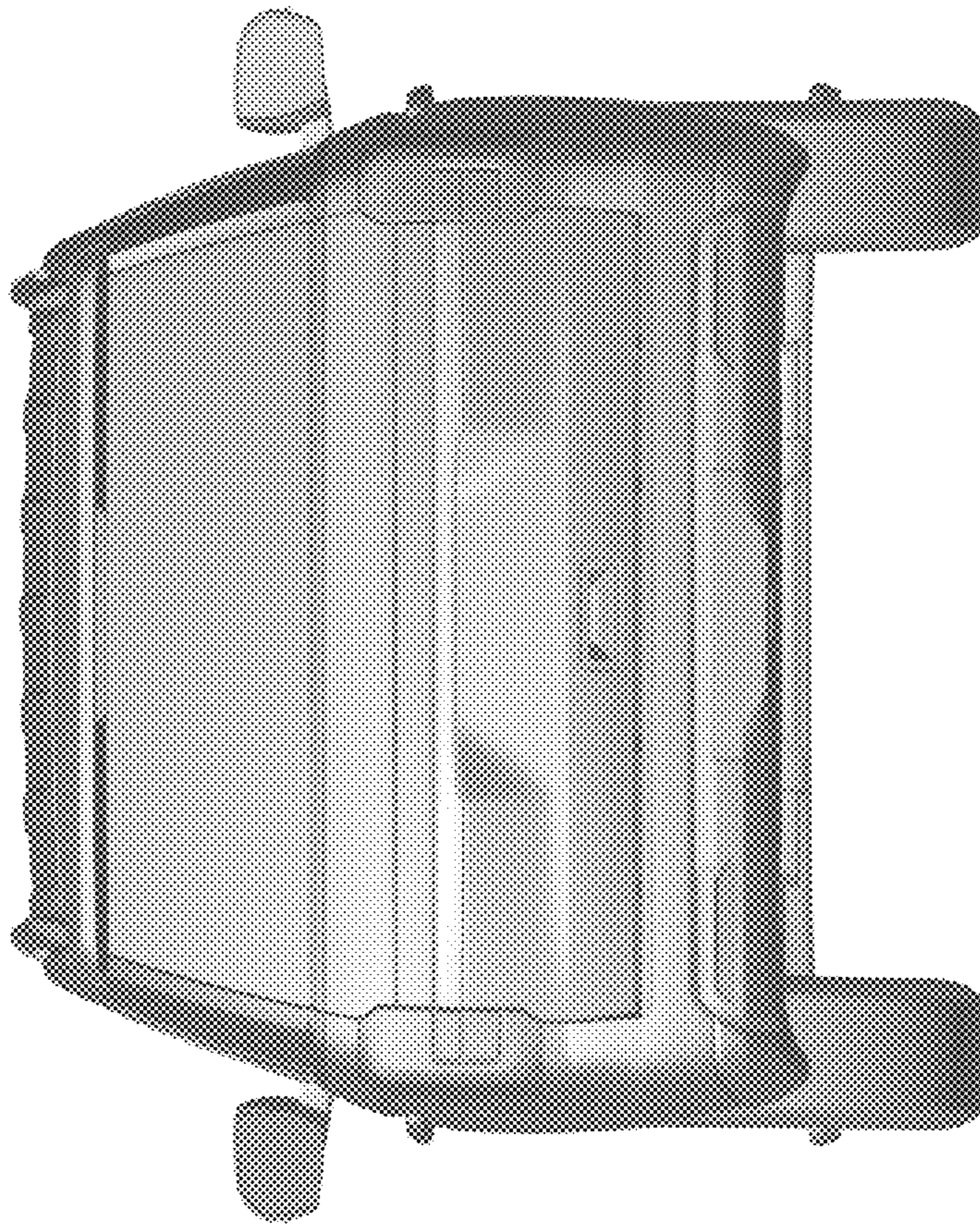


Fig. 2



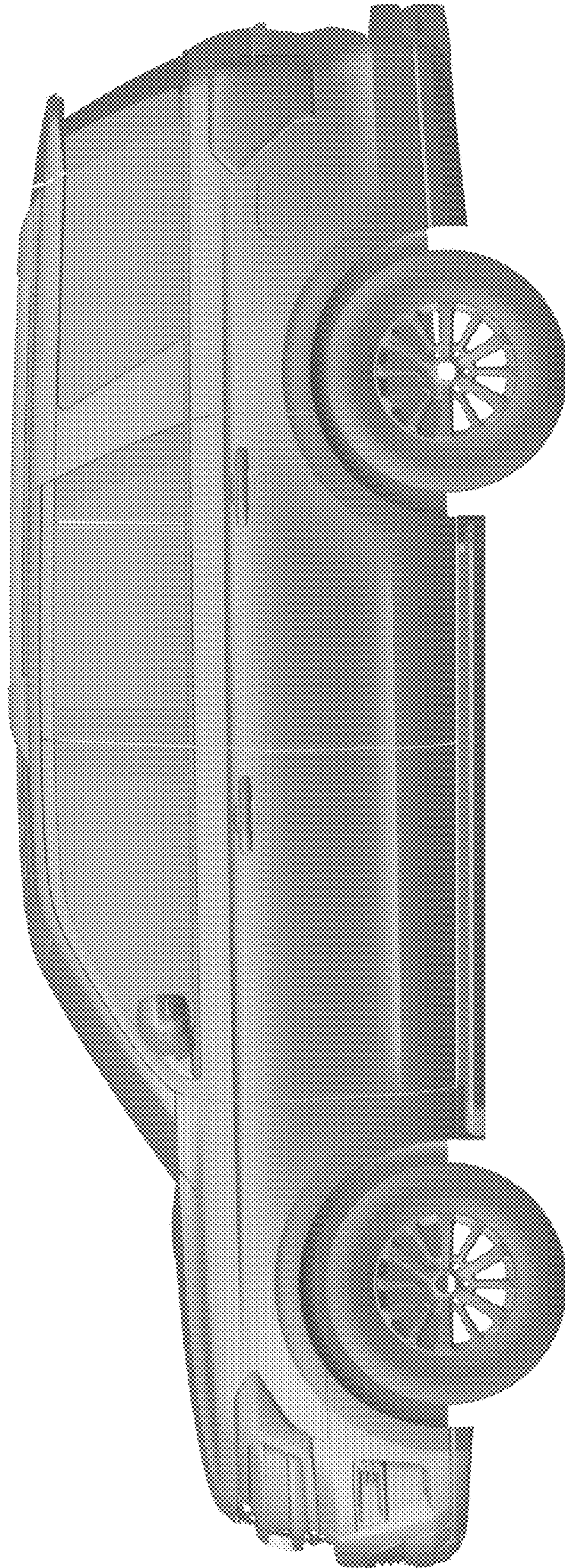


Fig. 3



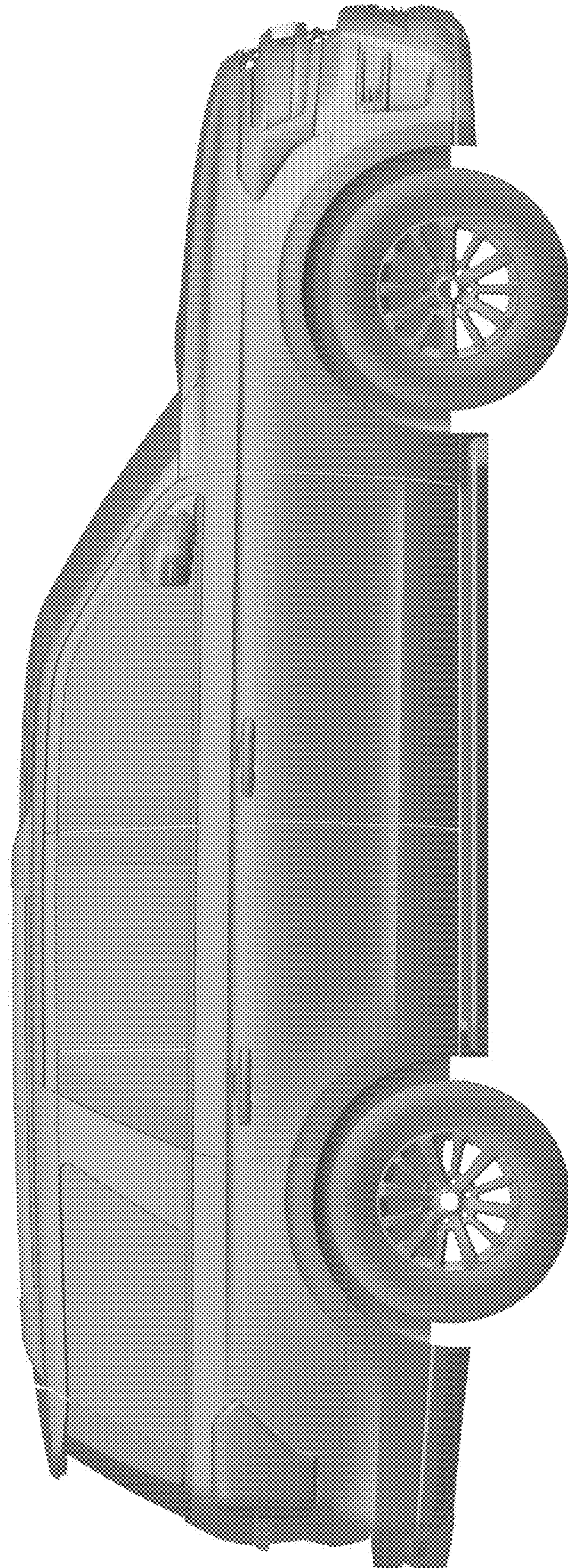


Fig.4





Fig. 5



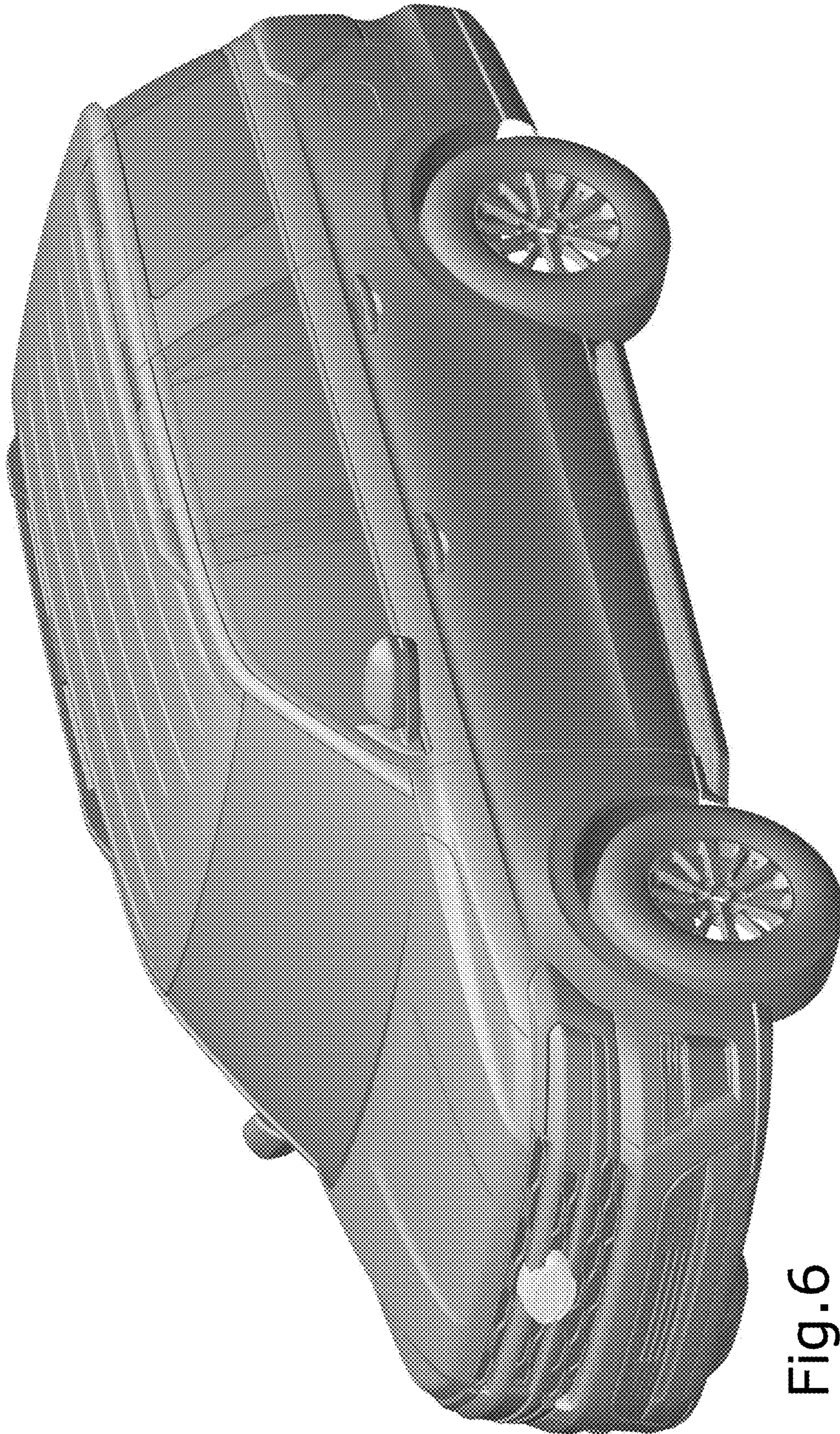


Fig. 6



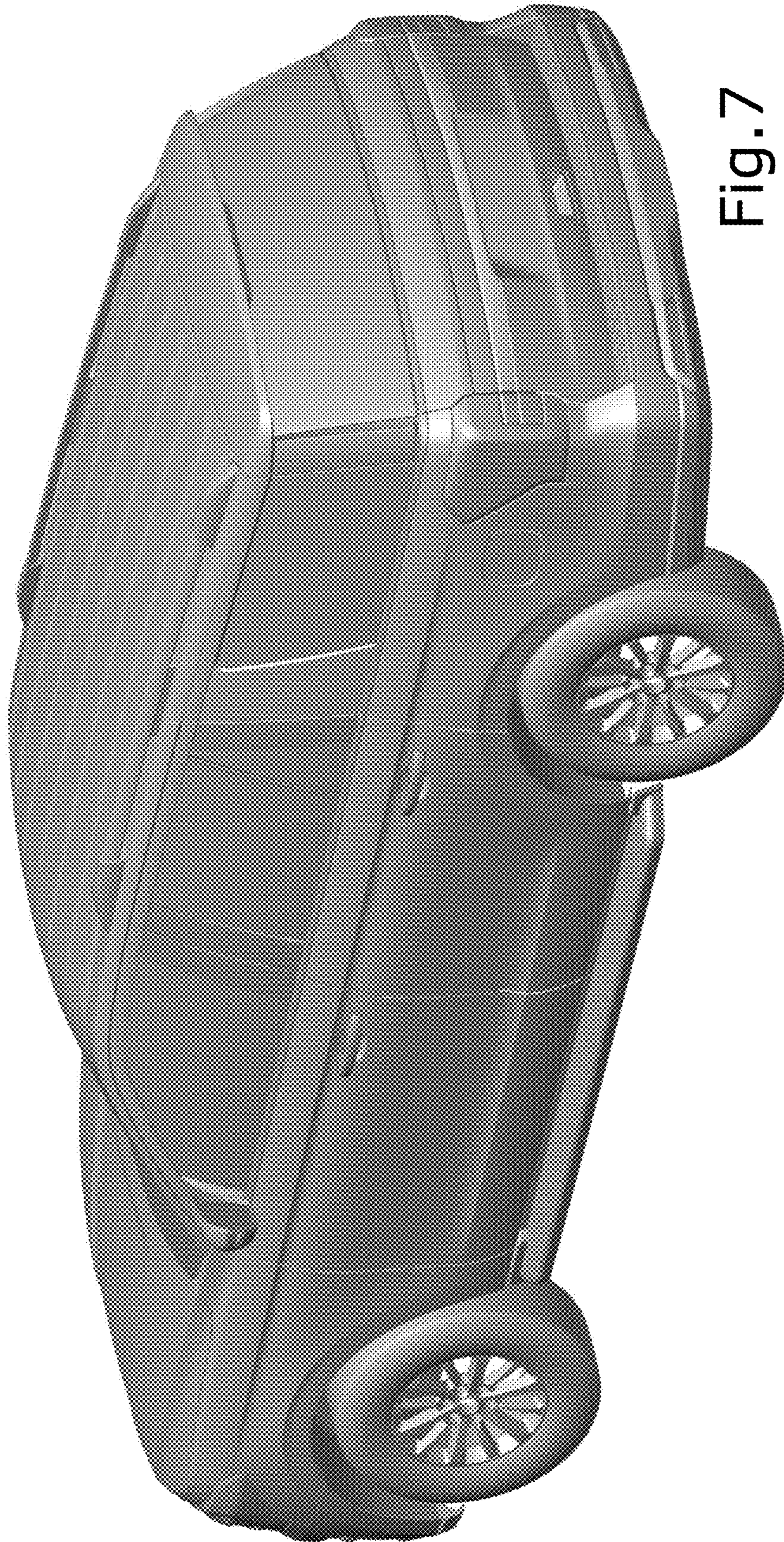


Fig. 7