



US00D981274S

(12) **United States Design Patent**
Crawford et al.

(10) **Patent No.:** **US D981,274 S**

(45) **Date of Patent:** **** Mar. 21, 2023**

- (54) **BUCKLE**
- (71) Applicants: **John Crawford**, Canton, NC (US);
Kyle Chumchal, Fletcher, NC (US);
Anthony Louis Marfione, Mills River,
NC (US)
- (72) Inventors: **John Crawford**, Canton, NC (US);
Kyle Chumchal, Fletcher, NC (US);
Anthony Louis Marfione, Mills River,
NC (US)

7,073,235	B2 *	7/2006	Benedict	A44B 11/2519 24/640
8,572,820	B2 *	11/2013	Richards	A44B 11/2519 24/648
10,743,624	B1 *	8/2020	Hsu	A44B 11/2573
D902,780	S *	11/2020	Gao	D11/216
11,109,648	B1 *	9/2021	Crawford	A44B 11/2515
D963,518	S *	9/2022	Fung	D11/218
2002/0124362	A1 *	9/2002	Glasa	A44B 11/2519 24/633

- (73) Assignee: **Microtech Knives, Inc.**, Mills River,
NC (US)

FOREIGN PATENT DOCUMENTS

GB 6153631 * 8/2021

(**) Term: **15 Years**

(21) Appl. No.: **29/780,610**

(22) Filed: **Apr. 26, 2021**

(51) **LOC (14) Cl.** **02-07**

(52) **U.S. Cl.**
USPC **D11/216**

(58) **Field of Classification Search**
USPC D11/200, 214–216, 218, 220; D8/354,
D8/382, 383; D30/151–153;
D2/627–629

CPC A44B 11/00; A44B 11/006; A44B 11/02;
A44B 11/04; A44B 11/065; A44B 11/25;
A44B 11/2507; A44B 11/2515; A44B
11/2519; A44B 11/2557; A44B 11/2592;
A44B 11/26; A44B 11/263; A44B 17/00;
A44B 11/266; A44B 11/253

See application file for complete search history.

(56) **References Cited**

U.S. PATENT DOCUMENTS

2,847,748	A *	8/1958	Robinton	A44B 11/2519 24/313
3,201,840	A *	8/1965	Jantzen	A44B 11/2519 24/639

OTHER PUBLICATIONS

YouTube | New Release: APIS Belt, published on Oct. 15, 2021 by
Microtech Knives, © 2021 Google LLC, Site visited Sep. 15, 2022.
Available from Internet, New Release: APIS Belt—YouTube (Year:
2021).*

(Continued)

Primary Examiner — Llorellys Martinez
Assistant Examiner — Nicole M. Leech
(74) *Attorney, Agent, or Firm* — Steve LeBlanc, LLC

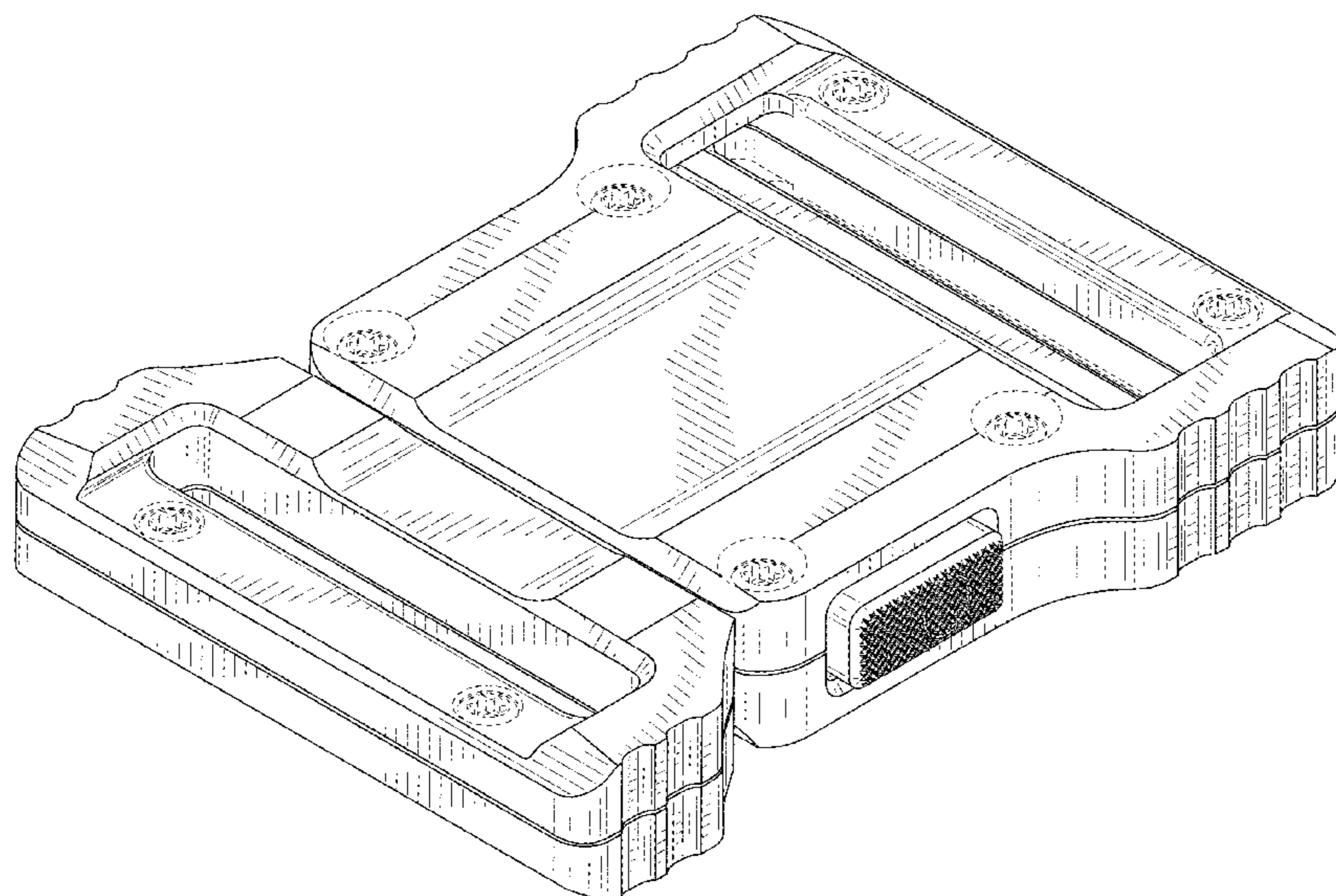
(57) **CLAIM**

The ornamental design for a buckle, as shown and described.

DESCRIPTION

FIG. 1 is a front perspective view of the buckle;
FIG. 2 is a front view of the buckle;
FIG. 3 is a rear view of the buckle;
FIG. 4 is a right side view of the buckle;
FIG. 5 is a left side view of the buckle;
FIG. 6 is a top view of the buckle; and,
FIG. 7 is a bottom view of the buckle.
The broken lines in the drawings represent portions of the
buckle that form no part of the claimed design.

1 Claim, 5 Drawing Sheets



(56)

References Cited

OTHER PUBLICATIONS

New Marfione Custom APIS Belt, Date Available Aug. 3, 2021, Facebook—Microtech Knives, Site Visited on Sep. 15, 2022: https://m.facebook.com/MicrotechKnivesOfficial/posts/new-marfione-custom-apis-belt-headed-to-dealers-this-week/2893087744287475/?_se_imp=0zLTBVHtWJYeLsRCx (Year: 2021).*

1.5' Zinc Alloy Buckle Tactical Military Belts, No Date Available, Foshan Topone Metal Technology Co., Site visited on Sep. 27, 2022: <https://toponegroup.top/products/1-5-al-alloy-buckle-tactical-military-elastic-webbing-belts-with-customized-logo-%E7%9A%84%E5%89%AF%E6%9C%AC-1?variant=42142897242261> (Year: 2022).*

* cited by examiner

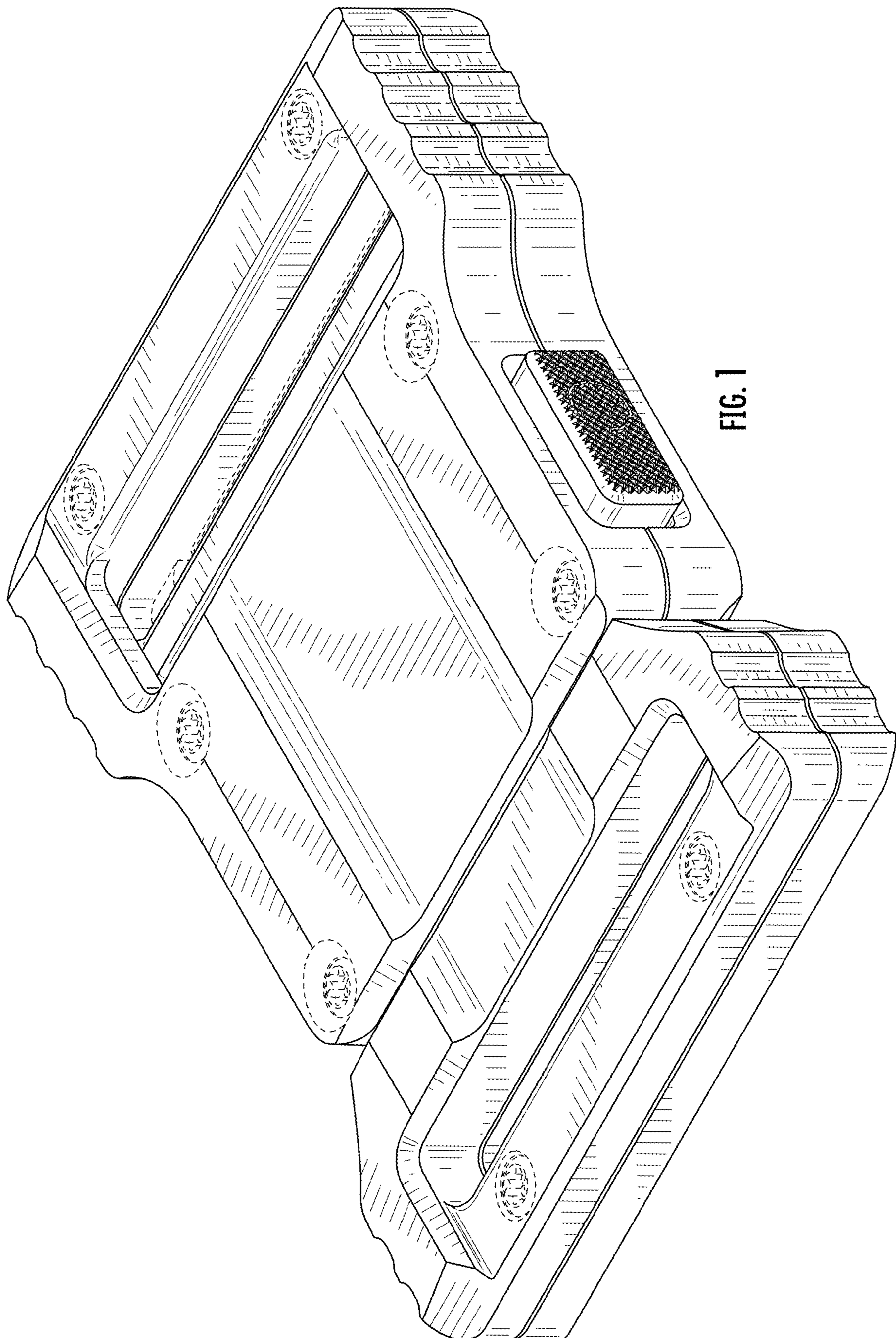


FIG. 1

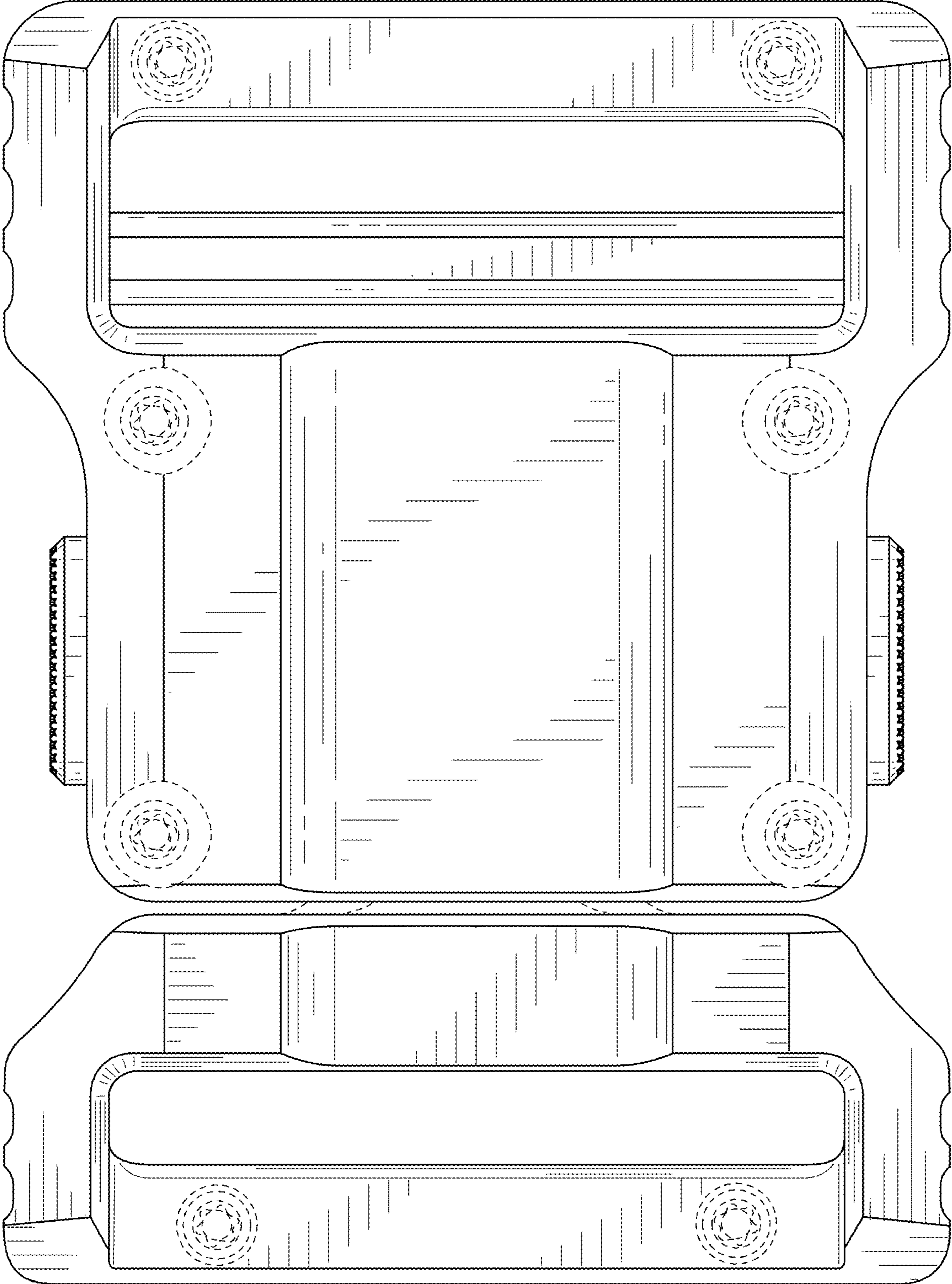


FIG. 2

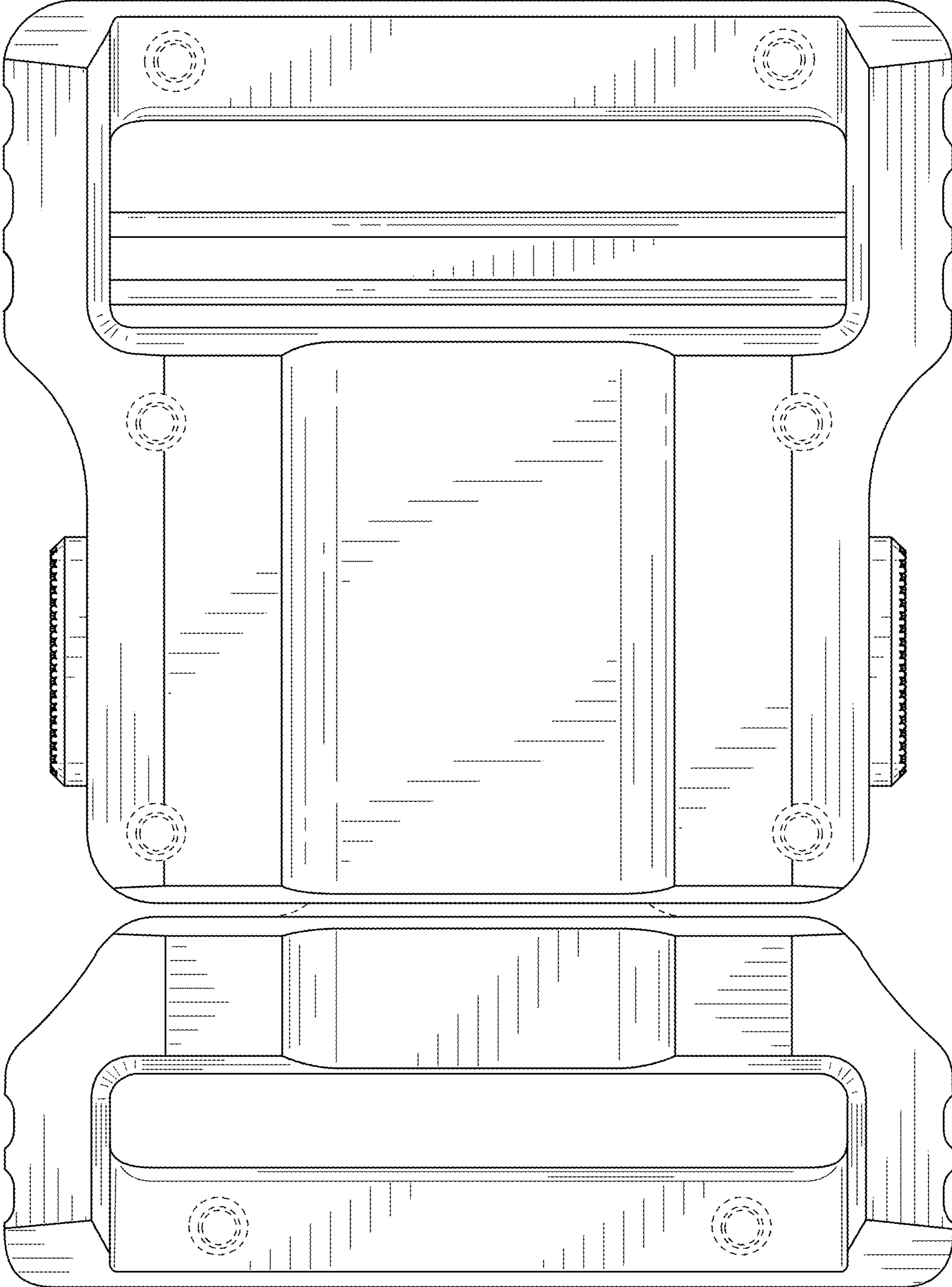


FIG. 3

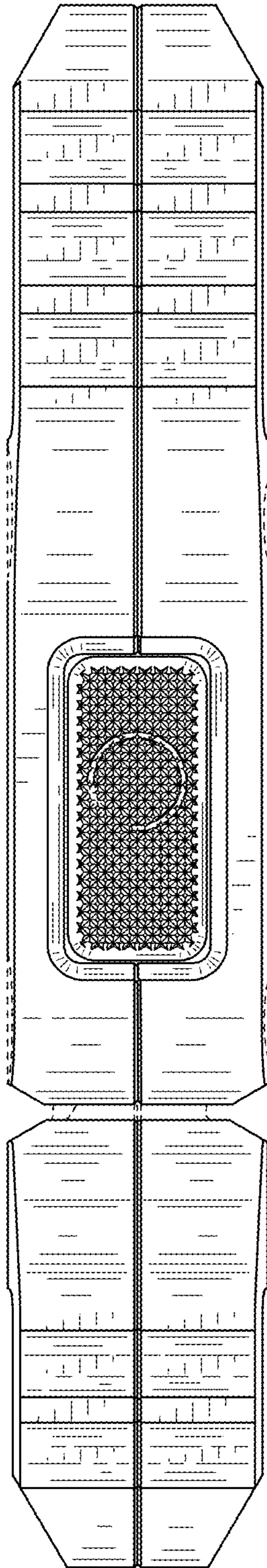


FIG. 4

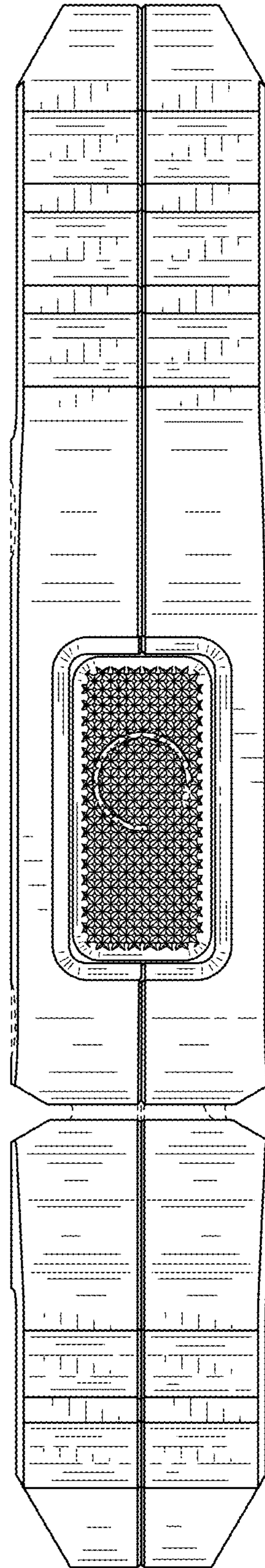


FIG. 5

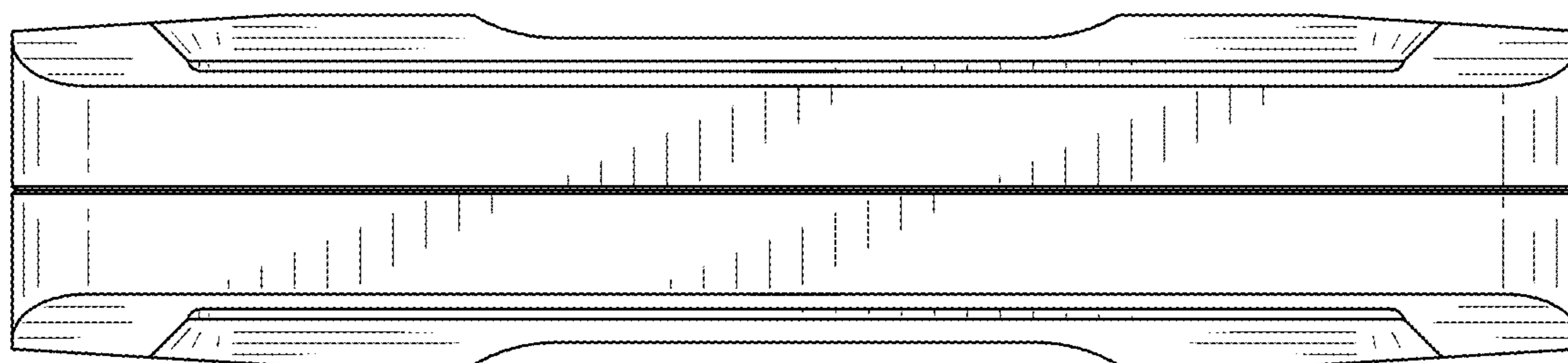


FIG. 6

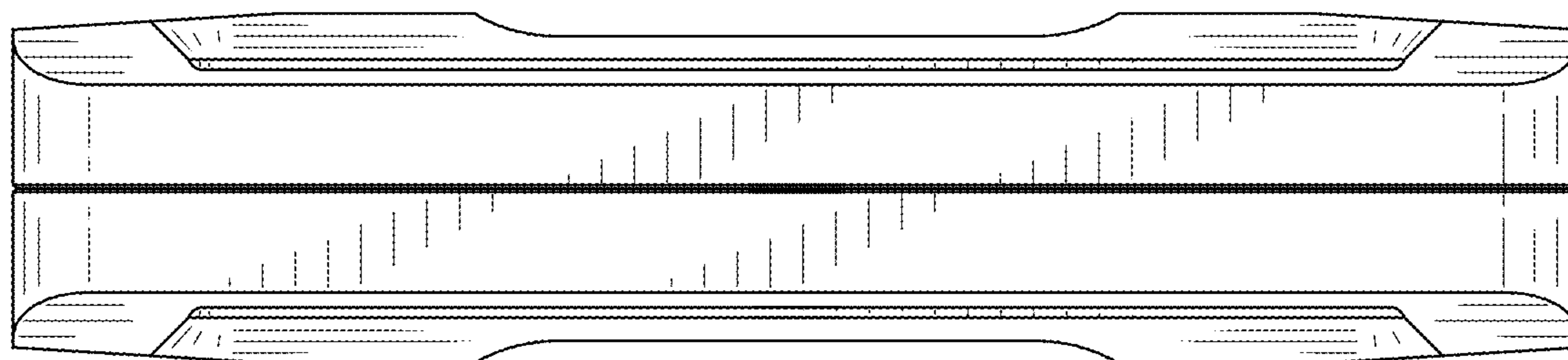


FIG. 7