



US00D981273S

(12) **United States Design Patent**
Crawford et al.

(10) **Patent No.:** **US D981,273 S**

(45) **Date of Patent:** **** Mar. 21, 2023**

- (54) **BUCKLE**
- (71) Applicants: **John Crawford**, Canton, NC (US);
Kyle Chumchal, Fletcher, NC (US);
Anthony Louis Marfione, Mills River, NC (US)
- (72) Inventors: **John Crawford**, Canton, NC (US);
Kyle Chumchal, Fletcher, NC (US);
Anthony Louis Marfione, Mills River, NC (US)

3,789,467 A * 2/1974 Aratani A42B 3/08
24/313
D264,766 S * 6/1982 Huff D11/216
4,672,725 A * 6/1987 Kasai A44B 11/266
24/664
10,085,520 B2 * 10/2018 Moran A44B 11/2569
11,109,648 B1 * 9/2021 Crawford A44B 11/2515
2002/0124362 A1 * 9/2002 Glasa A44B 11/2519
24/633

(Continued)

FOREIGN PATENT DOCUMENTS

- (73) Assignee: **Microtech Knives, Inc.**, Mills River, NC (US)

GB 6152628 * 8/2021

OTHER PUBLICATIONS

(**) Term: **15 Years**

YouTube | New Release: APIS Belt, published on Oct. 15, 2021 by Microtech Knives, © 2021 Google LLC, Site visited Sep. 15, 2022. Available from Internet, <https://www.youtube.com/watch?v=B57zEhe6Jh0> (Year: 2021).*

(21) Appl. No.: **29/780,593**

(22) Filed: **Apr. 26, 2021**

(51) **LOC (14) Cl.** **02-07**

(52) **U.S. Cl.**
USPC **D11/216**

(58) **Field of Classification Search**
USPC D11/200, 214–216, 218, 220; D8/354,
D8/382, 383; D30/151–153;
D2/627–629
CPC A44B 11/00; A44B 11/006; A44B 11/02;
A44B 11/04; A44B 11/065; A44B 11/25;
A44B 11/2507; A44B 11/2515; A44B
11/2519; A44B 11/2557; A44B 11/2592;
A44B 11/26; A44B 11/263; A44B 17/00;
A44B 11/266; A44B 11/253
See application file for complete search history.

(Continued)

Primary Examiner — Llorelys Martinez

Assistant Examiner — Nicole M. Leech

(74) *Attorney, Agent, or Firm* — Steve LeBlanc, LLC

(57) **CLAIM**

The ornamental design for a buckle, as shown and described.

DESCRIPTION

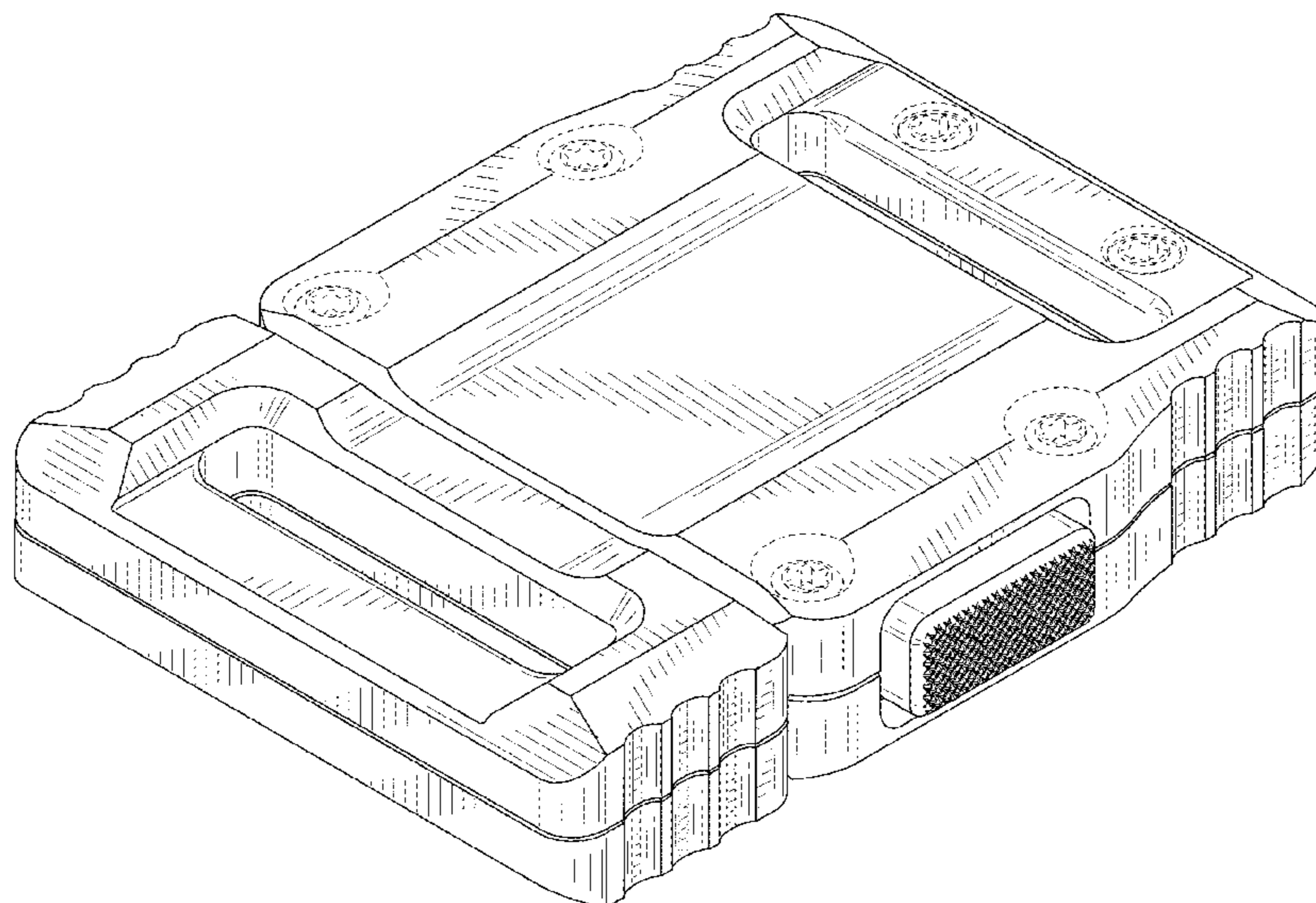
FIG. 1 is a front perspective view of the buckle;
FIG. 2 is a front view of the buckle;
FIG. 3 is a rear view of the buckle;
FIG. 4 is a right side view of the buckle;
FIG. 5 is a left side view of the buckle;
FIG. 6 is a top view of the buckle; and,
FIG. 7 is a bottom view of the buckle.
The broken lines in the drawings represent portions of the buckle that form no part of the claimed design.

(56) **References Cited**

U.S. PATENT DOCUMENTS

3,090,092 A * 5/1963 Szemplak A44B 11/2519
24/648
3,168,770 A * 2/1965 John, Jr. A44B 11/2519
24/648

1 Claim, 5 Drawing Sheets



(56)

References Cited

U.S. PATENT DOCUMENTS

2006/0048351 A1* 3/2006 Casebolt A44B 11/253
24/634
2011/0162177 A1* 7/2011 Von Der Ahe A44B 11/2569
24/640
2017/0332742 A1* 11/2017 Moran A44B 11/2569
2019/0090593 A1* 3/2019 Chen A44B 11/02
2021/0161255 A1* 6/2021 Chen A44B 11/2519

OTHER PUBLICATIONS

New Marfione Custom APIS Belt, Date Available Aug. 3, 2021, Facebook—Microtech Knives, Site Visited on Sep. 15, 2022: https://m.facebook.com/MicrotechKnivesOfficial/posts/new-marfione-custom-apis-belt-headed-to-dealers-this-week/2893087744287475/?_se_imp=0zLTBVHtWJYeLsRCx (Year: 2021).*

LA Police Gear LoPro Men's Range Belt, Date Available Online May 16, 2019, Amazon, site visited on Sep. 15, 2022: LA Police Gear LoPro Men's Range Belt, Tactical Belt for Men, High-Tech Buckle Men's Belt at Amazon Men's Clothing store (Year: 2019).*

* cited by examiner

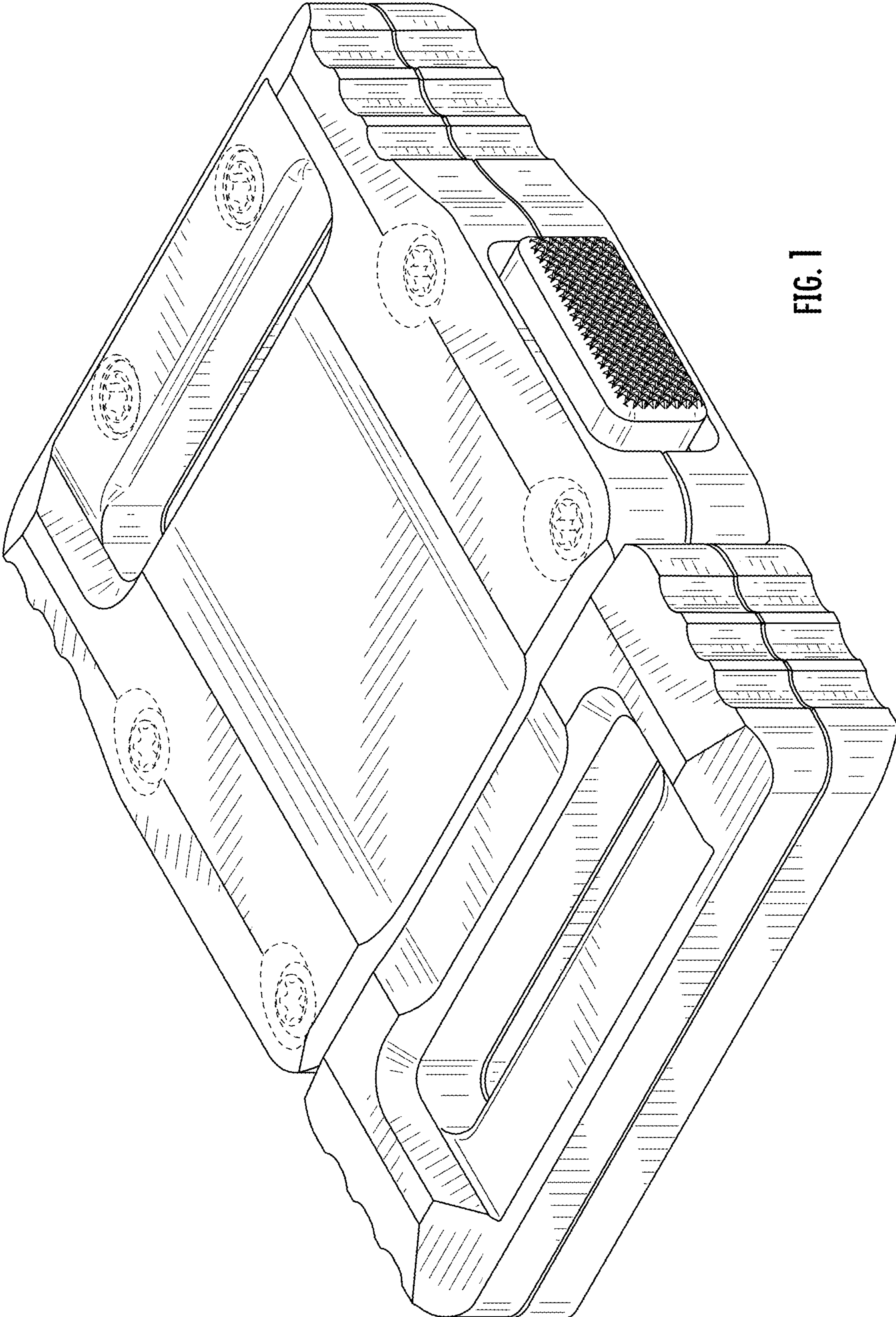


FIG. 1

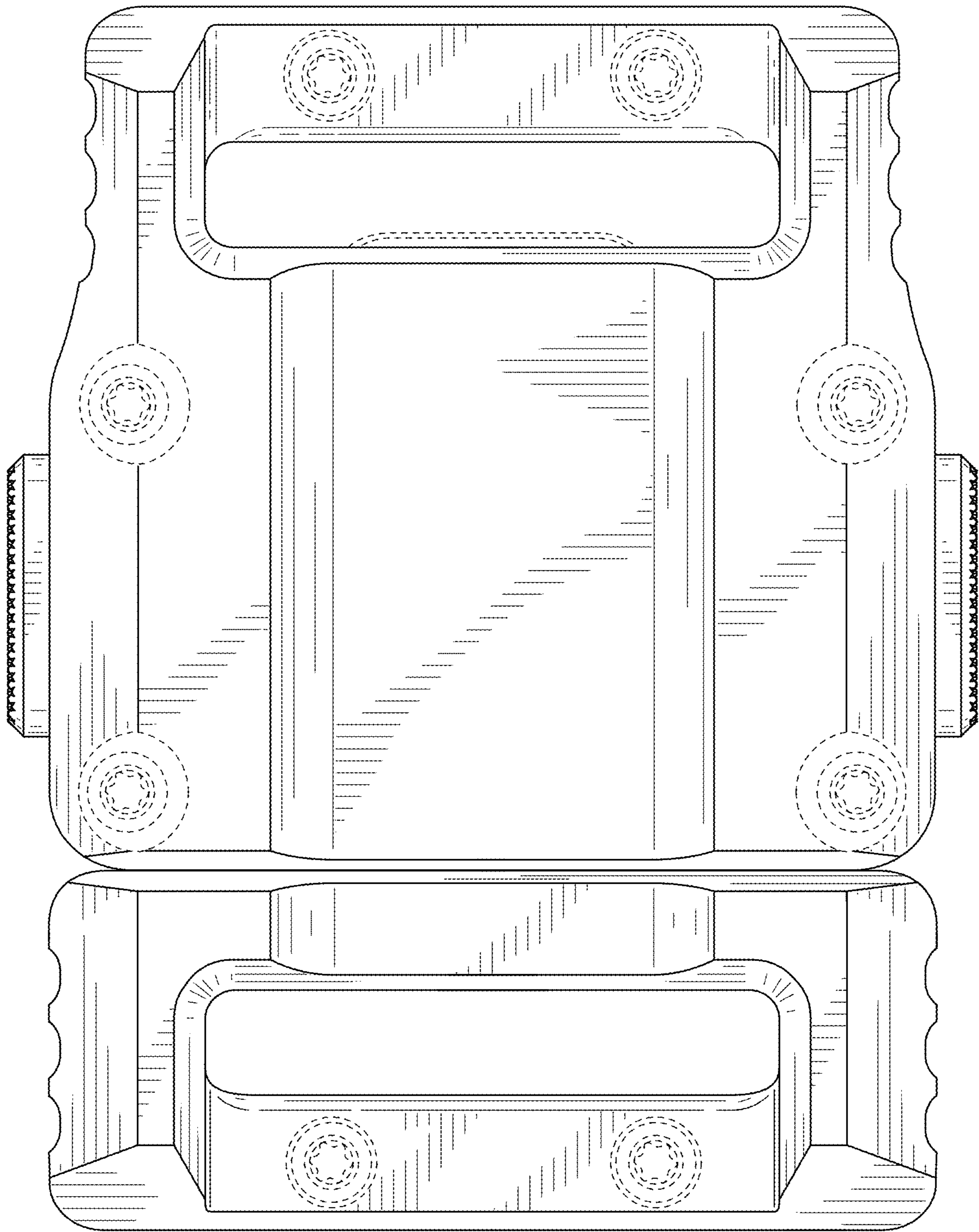


FIG. 2

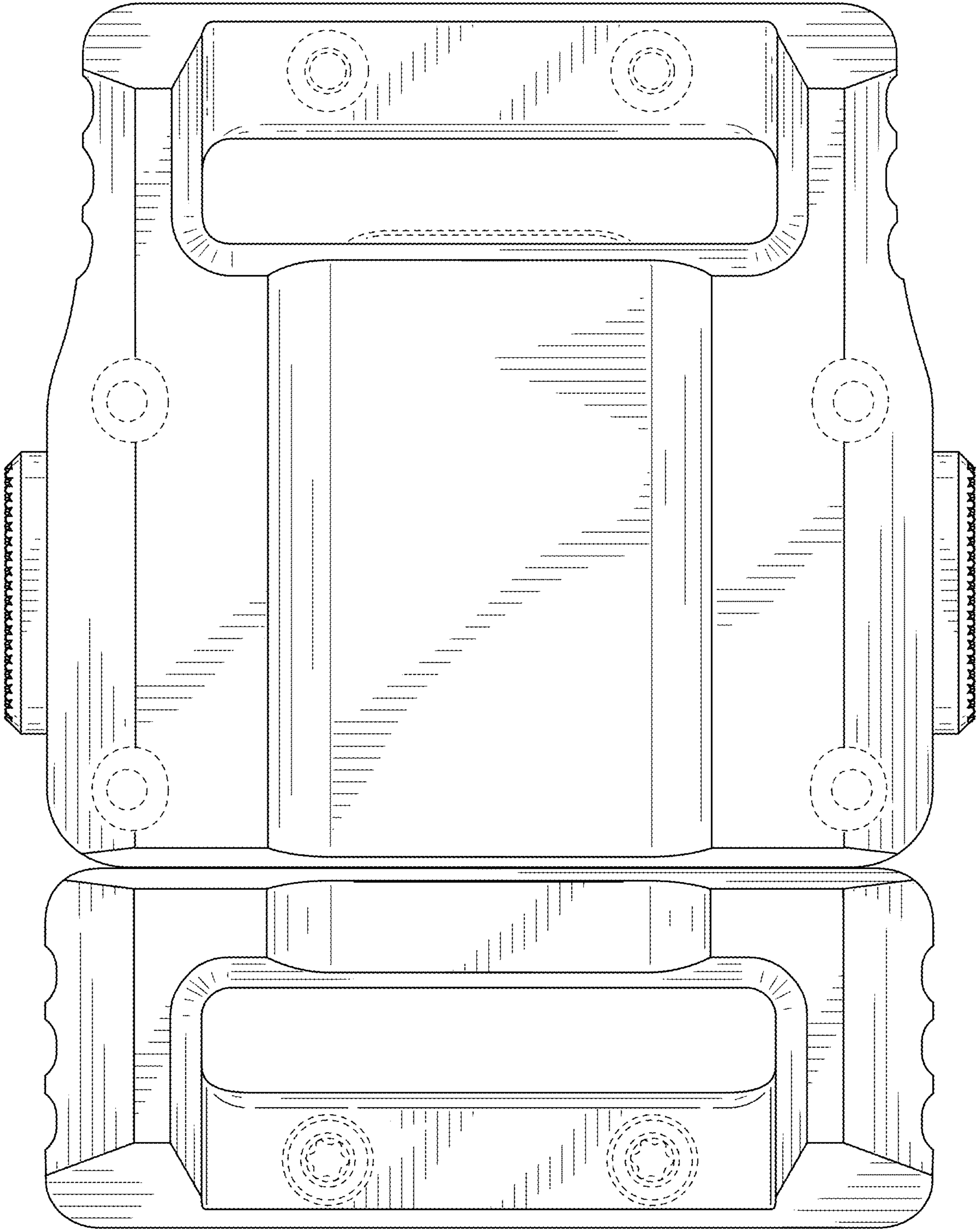


FIG. 3

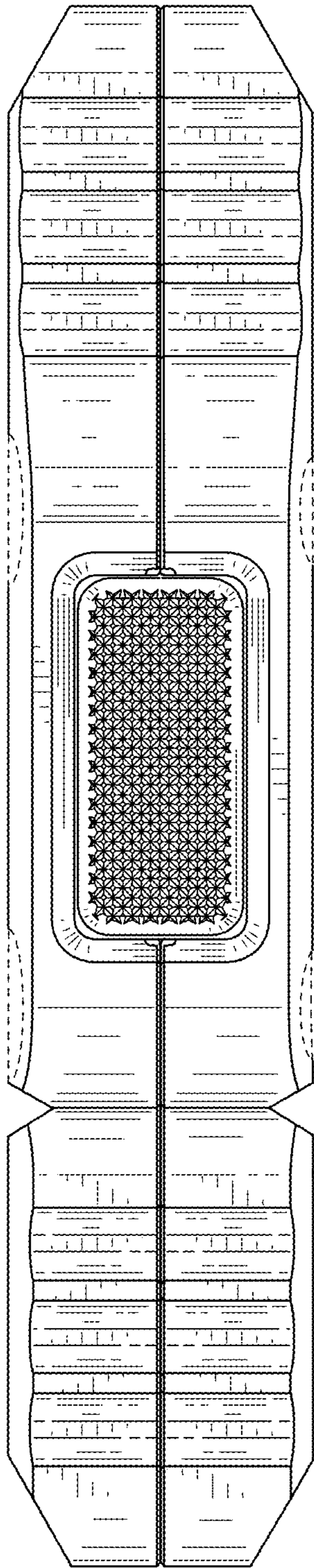


FIG. 4

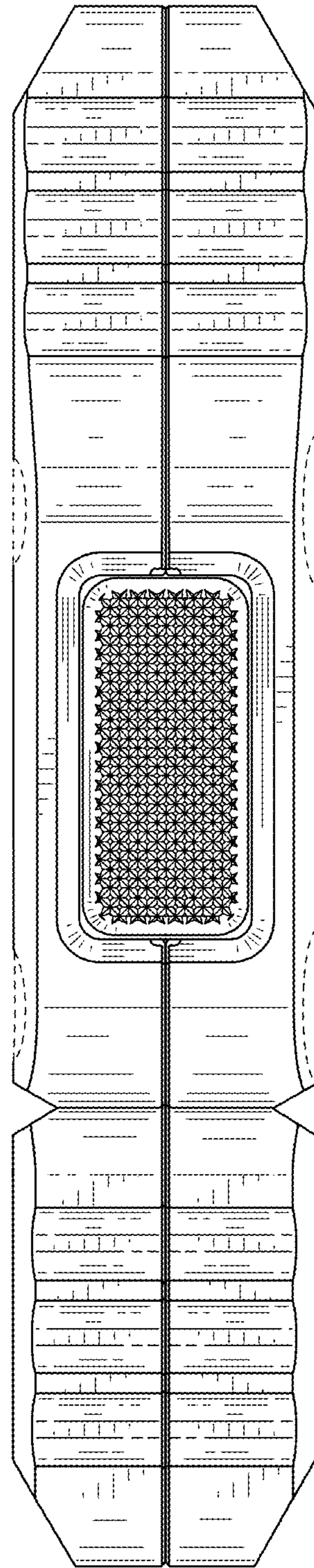


FIG. 5

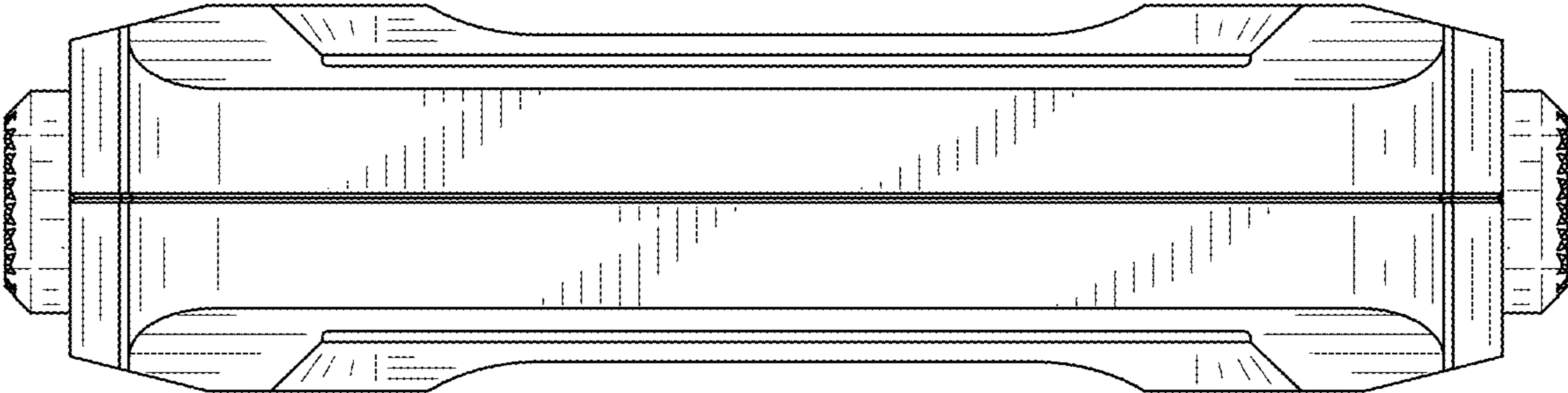


FIG. 6

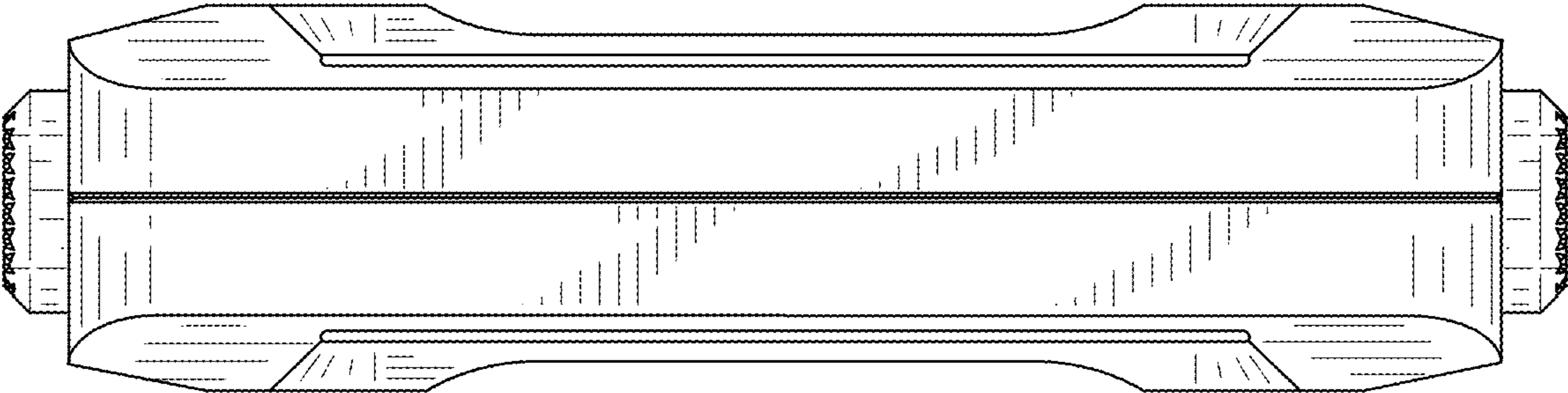


FIG. 7