



US00D981272S

(12) **United States Design Patent**  
**Crawford et al.**

(10) **Patent No.:** **US D981,272 S**  
(45) **Date of Patent:** **\*\* Mar. 21, 2023**

- (54) **BUCKLE**
- (71) Applicants: **John Crawford**, Canton, NC (US);  
**Kyle Chumchal**, Fletcher, NC (US);  
**Anthony Louis Marfione**, Mills River, NC (US)
- (72) Inventors: **John Crawford**, Canton, NC (US);  
**Kyle Chumchal**, Fletcher, NC (US);  
**Anthony Louis Marfione**, Mills River, NC (US)

3,789,467 A \* 2/1974 Aratani ..... A42B 3/08  
24/313  
D264,766 S \* 6/1982 Huff ..... D11/216  
4,672,725 A \* 6/1987 Kasai ..... A44B 11/266  
24/664  
10,085,520 B2 \* 10/2018 Moran ..... A44B 11/2569  
11,109,648 B1 \* 9/2021 Crawford ..... A44B 11/2515  
2002/0124362 A1 \* 9/2002 Glasa ..... A44B 11/2519  
24/633

(Continued)

**FOREIGN PATENT DOCUMENTS**

- (73) Assignee: **Microtech Knives, Inc.**, Mills River, NC (US)

GB 6152627 \* 8/2021

**OTHER PUBLICATIONS**

(\*\*) Term: **15 Years**

YouTube | New Release: APIS Belt, published on Oct. 15, 2021 by Microtech Knives, © 2021 Google LLC, Site visited Sep. 15, 2022. Available from Internet, <https://www.youtube.com/watch?v=B57zEhe6Jh0> (Year: 2021).\*

(21) Appl. No.: **29/780,590**

(22) Filed: **Apr. 26, 2021**

(51) **LOC (14) Cl.** ..... **02-07**

(52) **U.S. Cl.**  
USPC ..... **D11/216**

(58) **Field of Classification Search**  
USPC ..... D11/200, 214–216, 218, 220; D8/354, D8/382, 383; D30/151–153; D2/627–629  
CPC ..... A44B 11/00; A44B 11/006; A44B 11/02; A44B 11/04; A44B 11/065; A44B 11/25; A44B 11/2507; A44B 11/2515; A44B 11/2519; A44B 11/2557; A44B 11/2592; A44B 11/26; A44B 11/263; A44B 17/00; A44B 11/266; A44B 11/253  
See application file for complete search history.

(Continued)

*Primary Examiner* — Llorelys Martinez  
*Assistant Examiner* — Nicole M. Leech  
(74) *Attorney, Agent, or Firm* — Steve LeBlanc, LLC

(57) **CLAIM**

The ornamental design for a buckle, as shown and described.

**DESCRIPTION**

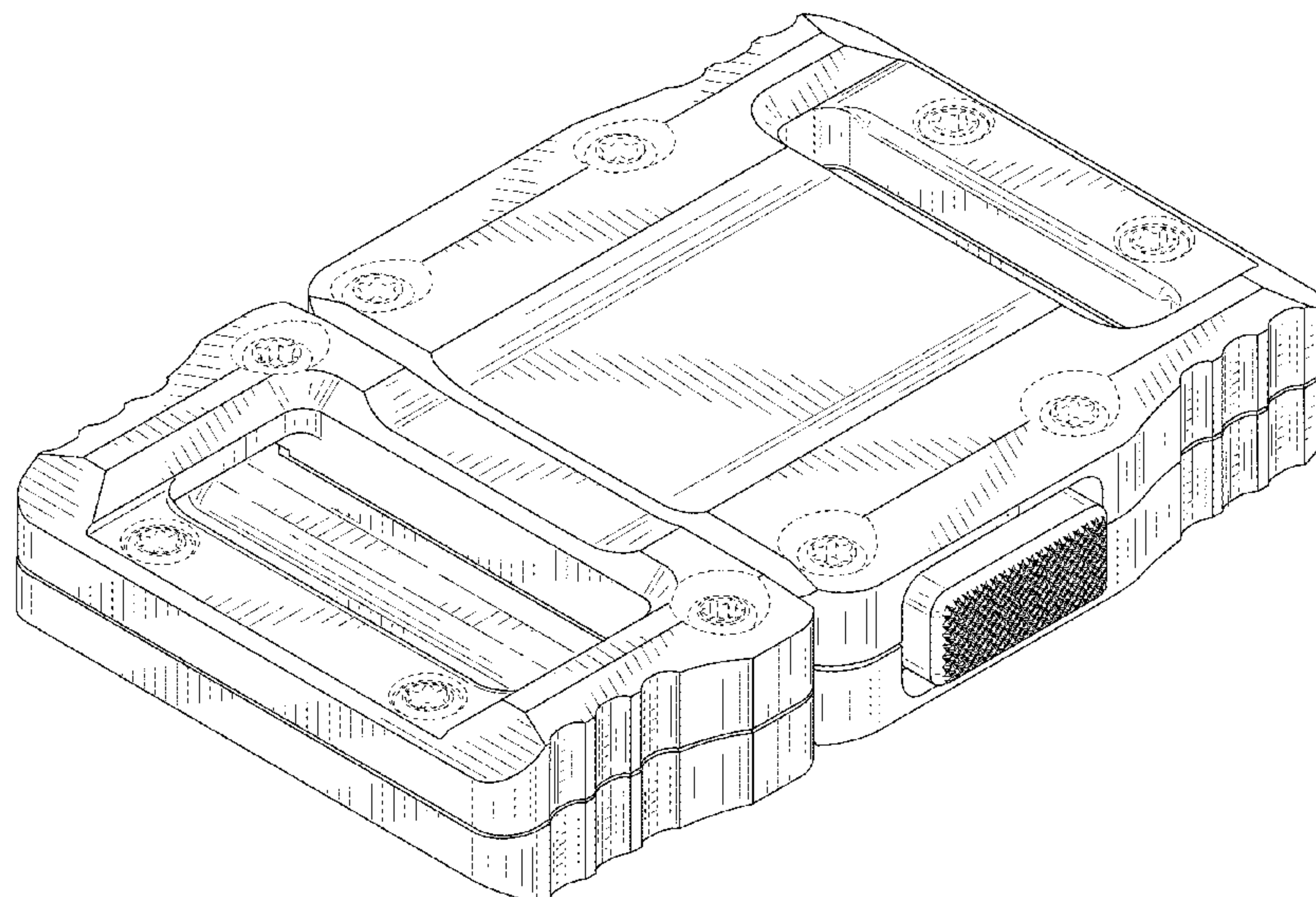
FIG. 1 is a front perspective view of the buckle;  
FIG. 2 is a front view of the buckle;  
FIG. 3 is a rear view of the buckle;  
FIG. 4 is a right side view of the buckle;  
FIG. 5 is a left side view of the buckle;  
FIG. 6 is a top view of the buckle; and,  
FIG. 7 is a bottom view of the buckle.  
The broken lines in the drawings represent portions of the buckle that form no part of the claimed design.

(56) **References Cited**

**U.S. PATENT DOCUMENTS**

3,090,092 A \* 5/1963 Szemplak ..... A44B 11/2519  
24/648  
3,168,770 A \* 2/1965 John, Jr. .... A44B 11/2519  
24/648

**1 Claim, 5 Drawing Sheets**



(56)

**References Cited**

U.S. PATENT DOCUMENTS

2006/0048351 A1\* 3/2006 Casebolt ..... A44B 11/253  
24/634  
2011/0162177 A1\* 7/2011 Von Der Ahe ..... A44B 11/2569  
24/640  
2017/0332742 A1\* 11/2017 Moran ..... A44B 11/2569  
2019/0090593 A1\* 3/2019 Chen ..... A44B 11/02  
2021/0161255 A1\* 6/2021 Chen ..... A44B 11/2519

OTHER PUBLICATIONS

New Marfione Custom APIS Belt, Date Available Aug. 3, 2021, Facebook—Microtech Knives, Site Visited on Sep. 15, 2022: [https://m.facebook.com/MicrotechKnivesOfficial/posts/new-marfione-custom-apis-belt-headed-to-dealers-this-week/2893087744287475/?\\_se\\_imp=0zLTBVHtWJYeLsRCx](https://m.facebook.com/MicrotechKnivesOfficial/posts/new-marfione-custom-apis-belt-headed-to-dealers-this-week/2893087744287475/?_se_imp=0zLTBVHtWJYeLsRCx) (Year: 2021).\*

LA Police Gear LoPro Men's Range Belt, Date Available Online May 16, 2019, Amazon, site visited on Sep. 15, 2022: LA Police Gear LoPro Men's Range Belt, Tactical Belt for Men, High-Tech Buckle Men's Belt at Amazon Men's Clothing store (Year: 2019).\*

\* cited by examiner



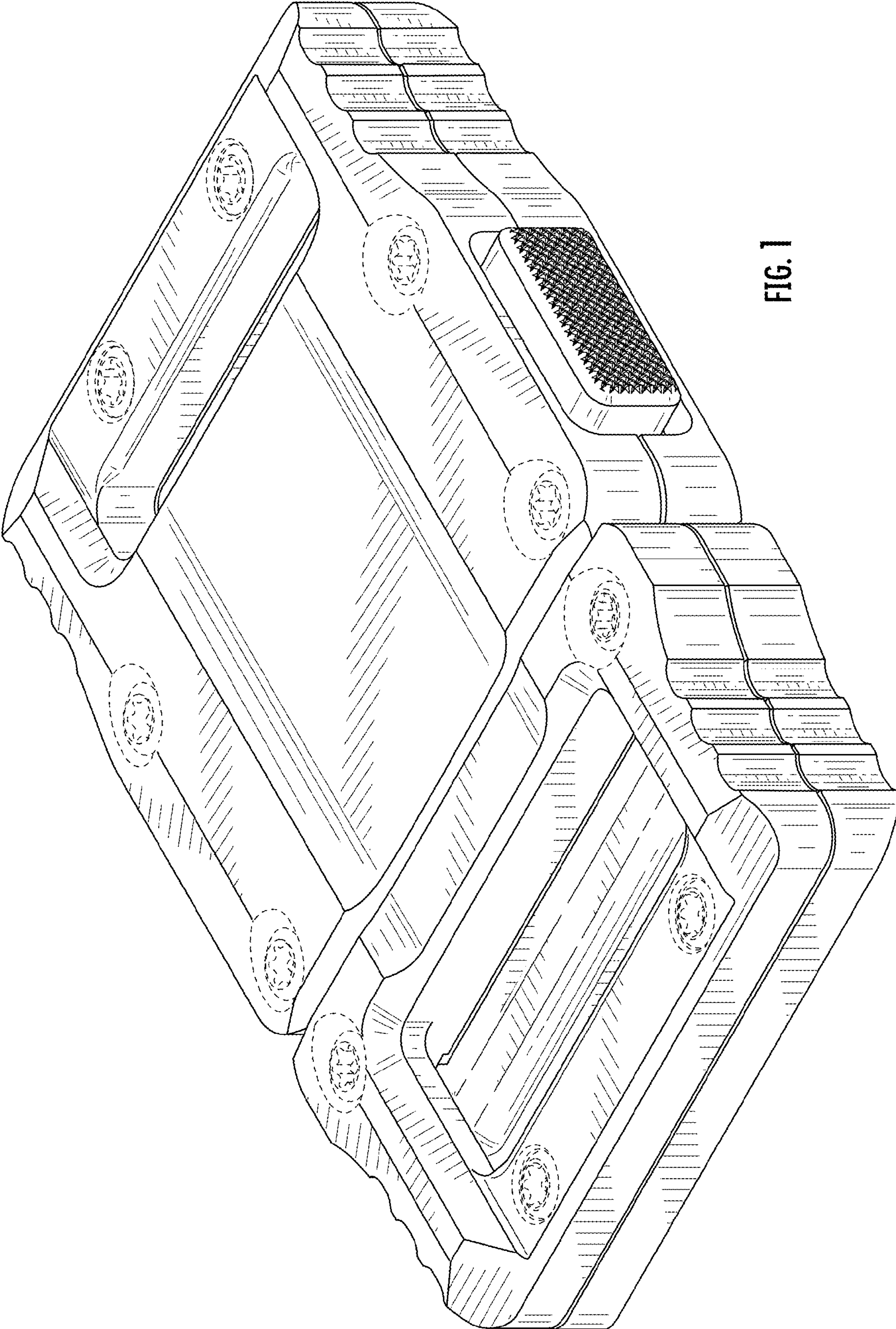


FIG. 1

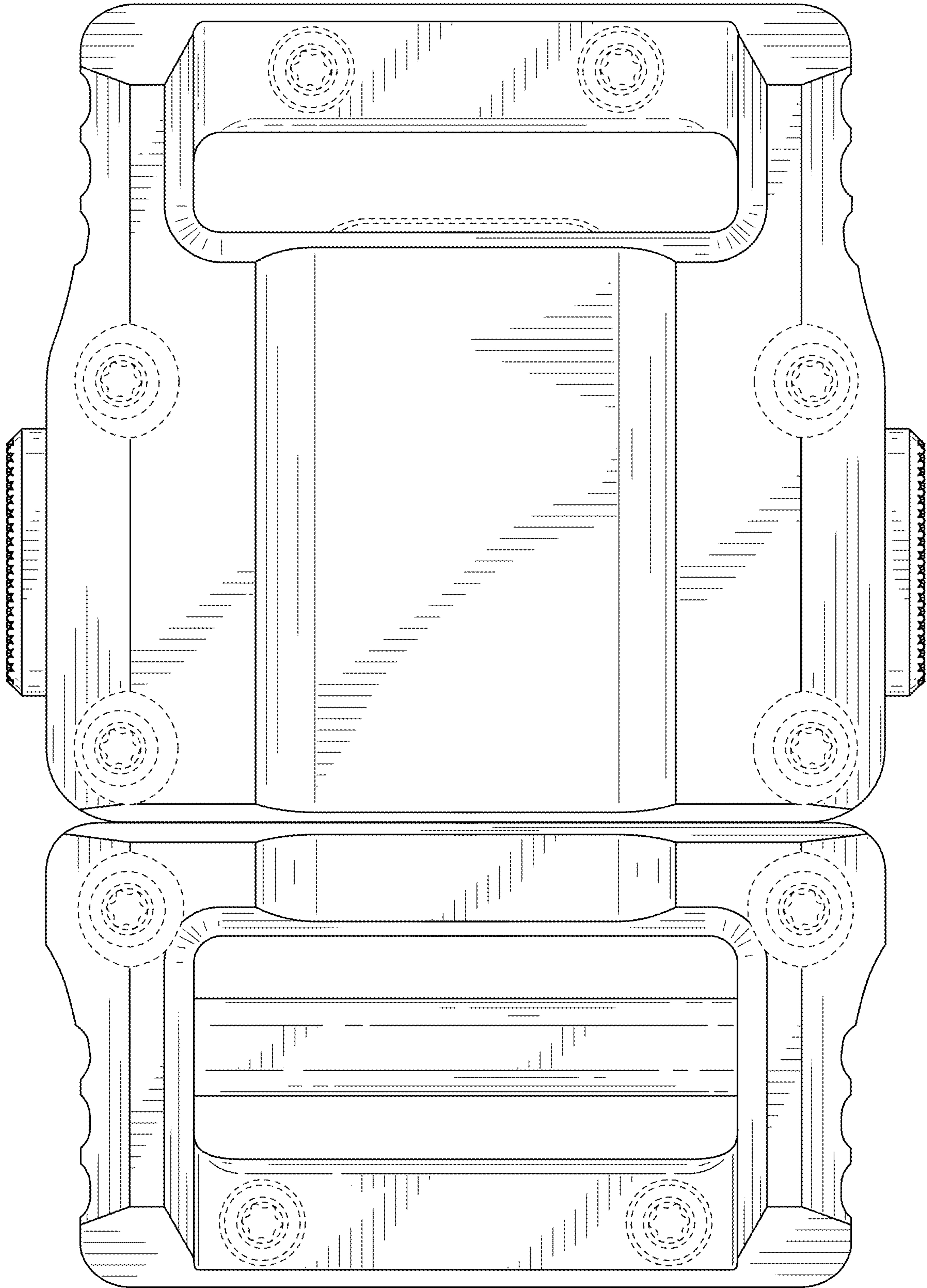


FIG. 2

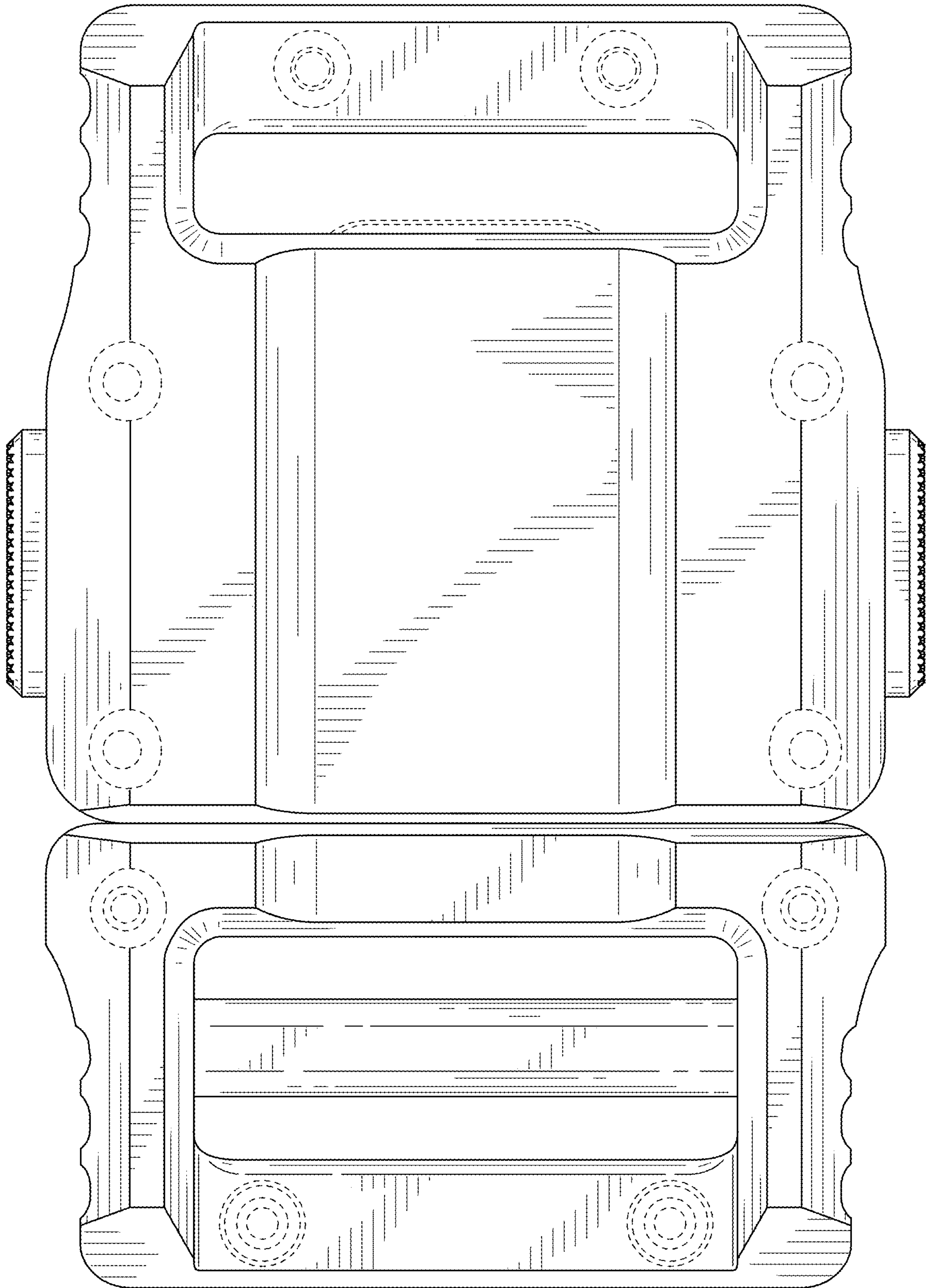


FIG. 3



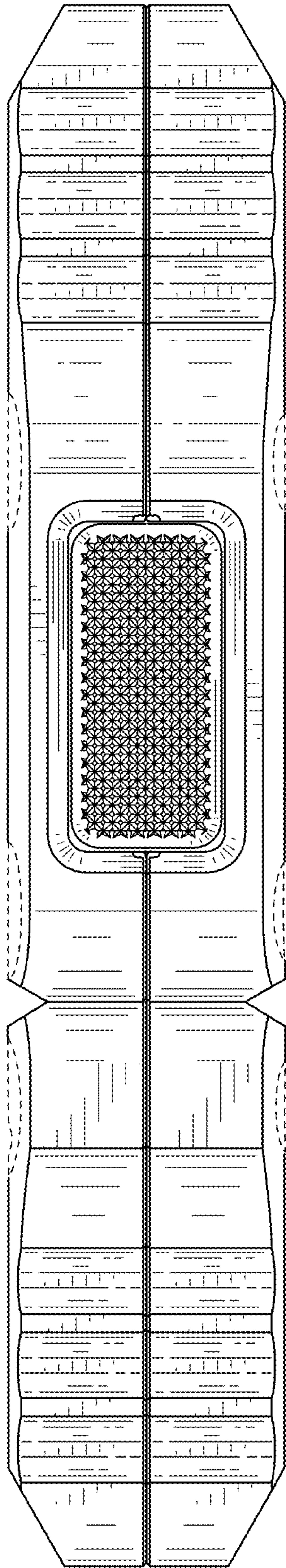


FIG. 4

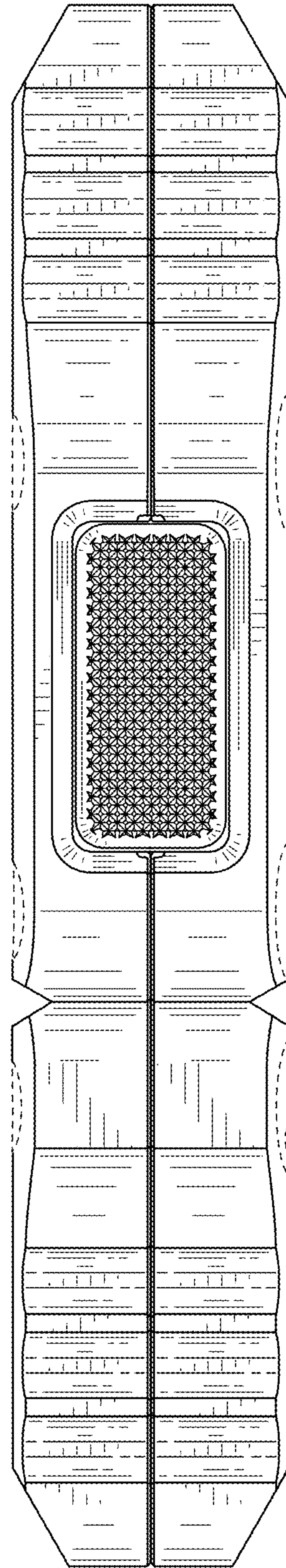


FIG. 5

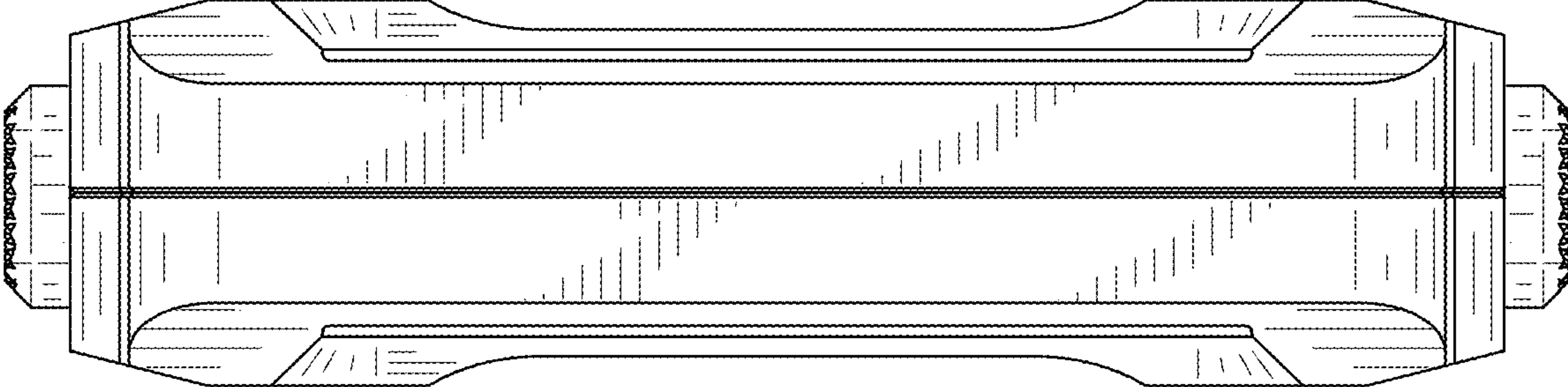


FIG. 6

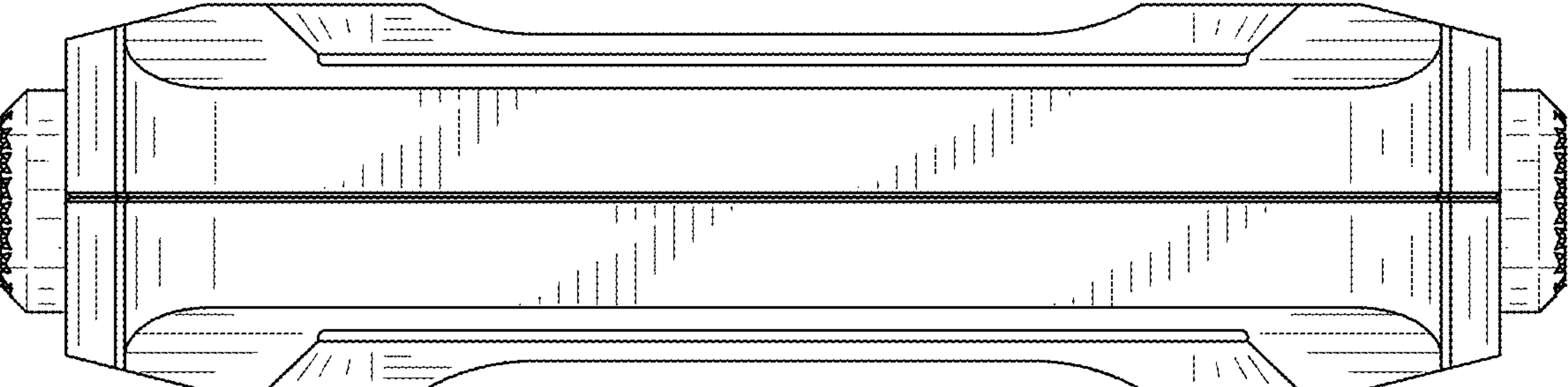


FIG. 7