



US00D981268S

(12) **United States Design Patent** (10) **Patent No.:** **US D981,268 S**  
**Lu** (45) **Date of Patent:** **\*\* Mar. 21, 2023**

(54) **WIND SPINNER**  
(71) Applicant: **Yinghao Lu**, Jiangmen (CN)  
(72) Inventor: **Yinghao Lu**, Jiangmen (CN)  
(\*\*) Term: **15 Years**  
(21) Appl. No.: **29/863,185**

D729,422 S \* 5/2015 Carroll ..... D26/8  
D732,731 S \* 6/2015 Wang ..... D26/127  
D751,946 S \* 3/2016 Soofer ..... D11/157  
D756,262 S 5/2016 Lee  
D816,826 S \* 5/2018 Johnson ..... D23/385  
D824,565 S \* 7/2018 Tsai ..... D26/73  
D854,625 S \* 7/2019 Hendrickson-Santospago .....  
D21/458  
D880,749 S \* 4/2020 Memedi ..... D26/73  
(Continued)

(22) Filed: **Dec. 16, 2022**  
(51) **LOC (14) Cl.** ..... **11-02**  
(52) **U.S. Cl.**  
USPC ..... **D11/131**  
(58) **Field of Classification Search**  
USPC ..... D11/117, 125, 131, 133, 139, 141, 151,  
D11/157; D21/258; D10/54  
CPC ..... A63H 33/40; F21V 21/0824; F21W  
2131/109; A41G 1/002; G09F 2019/083  
See application file for complete search history.

FOREIGN PATENT DOCUMENTS

CN 108654120 A \* 10/2018 ..... A63H 33/22  
CN 304976305 \* 1/2019  
(Continued)

OTHER PUBLICATIONS

Kinetic Wind Spinner with Garden Stake, available Sep. 25, 2021,  
[online]. [site visited Jan. 14, 2023]. Available from internet, URL:  
<https://www.amazon.com/dp/B094Y8LCMW/ref> (Year: 2021).  
(Continued)

(56) **References Cited**

U.S. PATENT DOCUMENTS

1,155,263 A \* 9/1915 Naito ..... A63H 33/40  
D21/458  
D53,469 S \* 6/1919 Samour ..... D21/458  
1,549,110 A \* 8/1925 Greger ..... A63H 33/40  
446/217  
1,583,881 A \* 5/1926 Heberling ..... A63H 33/40  
446/218  
1,769,784 A \* 7/1930 Hoppe ..... A63H 33/40  
446/217  
D183,355 S \* 8/1958 Lewis ..... D21/458  
D183,356 S \* 8/1958 Lewis ..... D21/458  
D200,964 S \* 4/1965 Phelps ..... D21/458  
D224,331 S \* 7/1972 Halpern ..... D21/458  
D225,549 S \* 12/1972 Halpern ..... D21/458  
D253,776 S \* 12/1979 Molenaar ..... D21/458  
D331,785 S \* 12/1992 Mast ..... D21/458  
D384,165 S \* 9/1997 Suciu ..... D25/1  
6,716,082 B1 \* 4/2004 Chen Pan ..... A63H 33/40  
446/236  
D614,279 S \* 4/2010 Lesniak ..... D23/367

Primary Examiner — W. A. Teddy Falloway

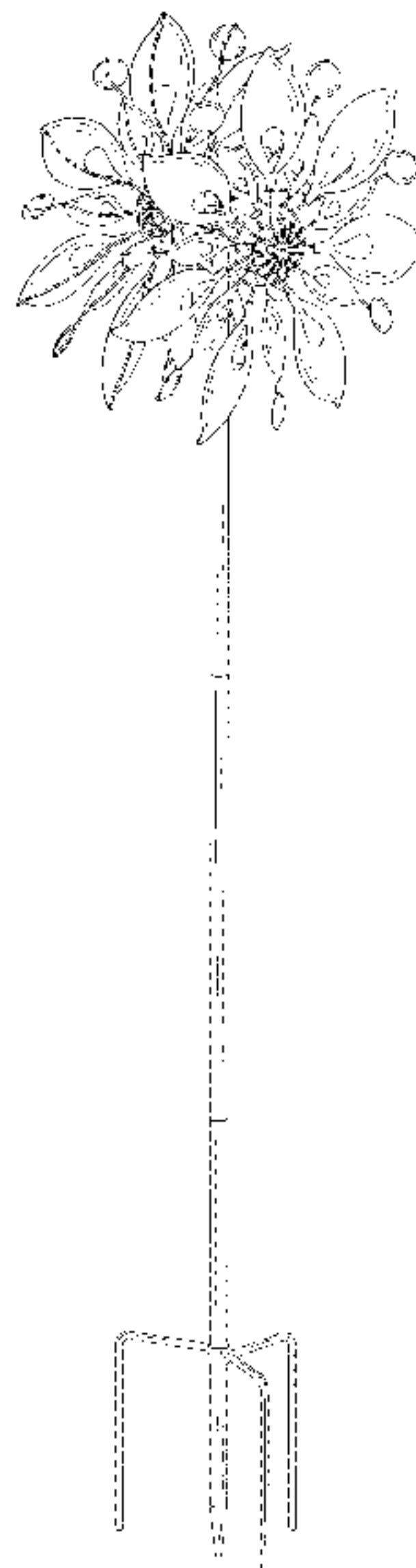
(57) **CLAIM**

The ornamental design for a wind spinner, as shown and described.

**DESCRIPTION**

FIG. 1 is a front perspective view of a wind spinner, showing my new design;  
FIG. 2 is a rear perspective view thereof;  
FIG. 3 is a front view thereof;  
FIG. 4 is a rear view thereof;  
FIG. 5 is a left side view thereof;  
FIG. 6 is a right side view thereof;  
FIG. 7 is a top view thereof; and,  
FIG. 8 is a bottom view thereof.

**1 Claim, 8 Drawing Sheets**



(56)

**References Cited**

## U.S. PATENT DOCUMENTS

D908,943 S \* 1/2021 Huang ..... D26/68  
D940,371 S \* 1/2022 Li ..... D26/68  
D958,441 S \* 7/2022 Zhou ..... D26/94  
D974,222 S \* 1/2023 Lu ..... D11/131  
D974,226 S \* 1/2023 Lu ..... D11/131  
D974,227 S \* 1/2023 Lu ..... D11/131  
2013/0252507 A1 \* 9/2013 Kessler ..... A63H 33/22  
446/217  
2015/0092399 A1 \* 4/2015 Qiu ..... F21S 9/03  
362/183  
2018/0339240 A1 \* 11/2018 Maguire ..... A63H 33/40  
2022/0323878 A1 \* 10/2022 Yeiser, IV ..... F03D 1/00

## FOREIGN PATENT DOCUMENTS

CN 305686957 \* 4/2020  
CN 305705699 \* 4/2020  
CN 306003278 \* 8/2020

## OTHER PUBLICATIONS

Wind Spinners Outdoor Metal, available Mar. 27, 2022, [online], [site visited Jan. 14, 2023]. Available from internet, URL: <https://www.amazon.com/dp/B097P4ZDVX/ref> (Year: 2022).\*

Wind and Weather Wind Spinner, available Jun. 6, 2020, [online], [site visited Jan. 14, 2023]. Available from internet, URL: <https://www.amazon.com/dp/B086685HSJ/ref> (Year: 2020).\*

Garden Metal Wind Spinner, available Mar. 22, 2022, [online], [site visited Jan. 14, 2023]. Available from internet, URL: <https://www.amazon.com/Birthday-Spinner-Pinwheels-Kinetic-Windmill/dp/B09NNK93ZD/ref> (Year: 2022).\*

\* cited by examiner

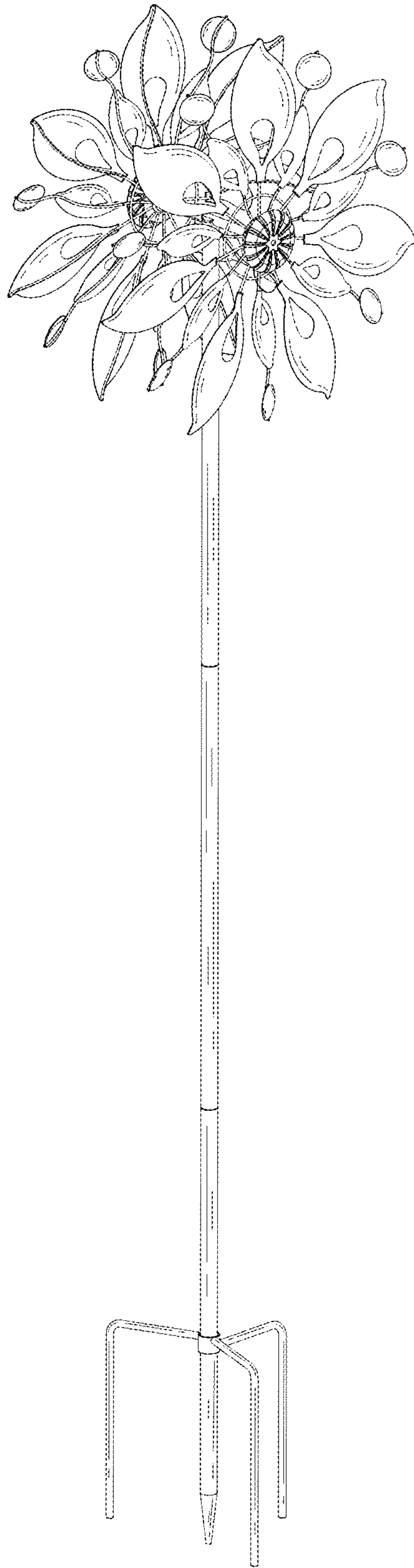


FIG. 1

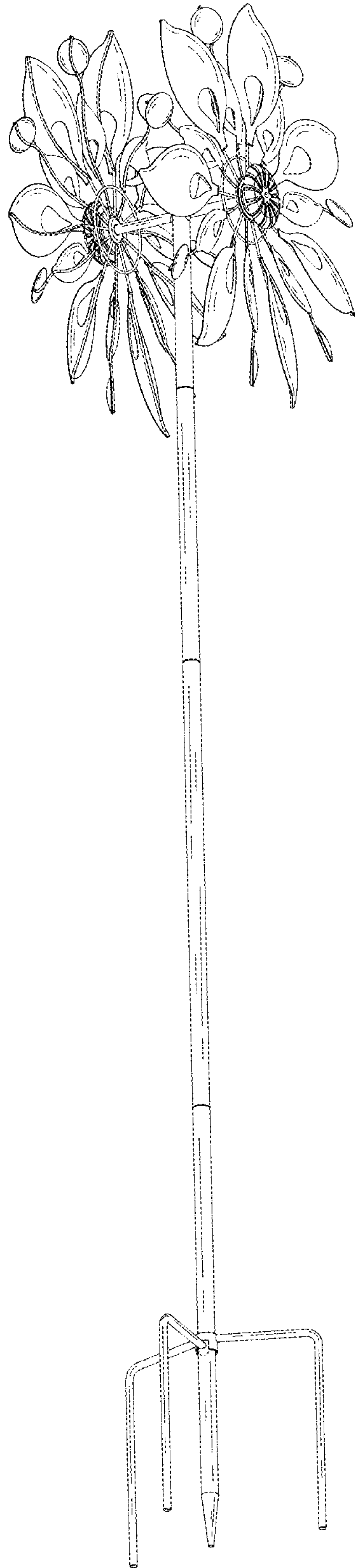


FIG. 2

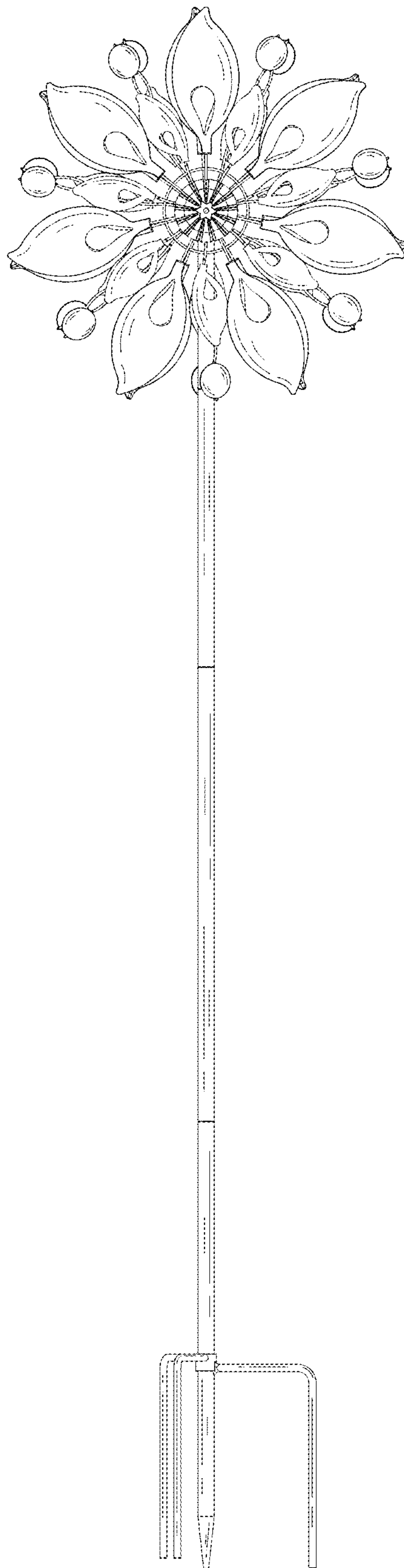


FIG. 3



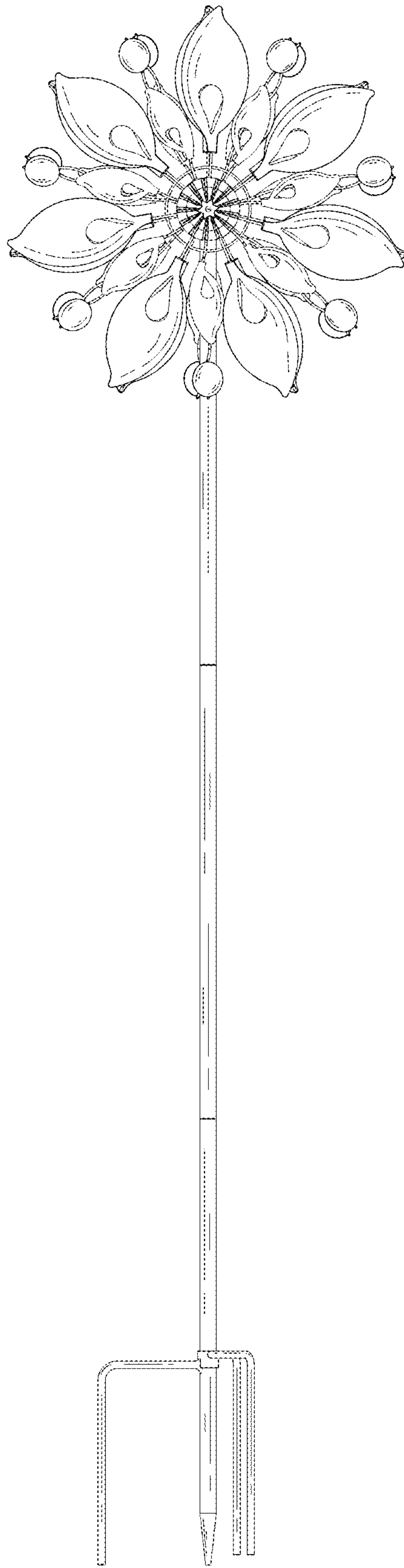


FIG. 4

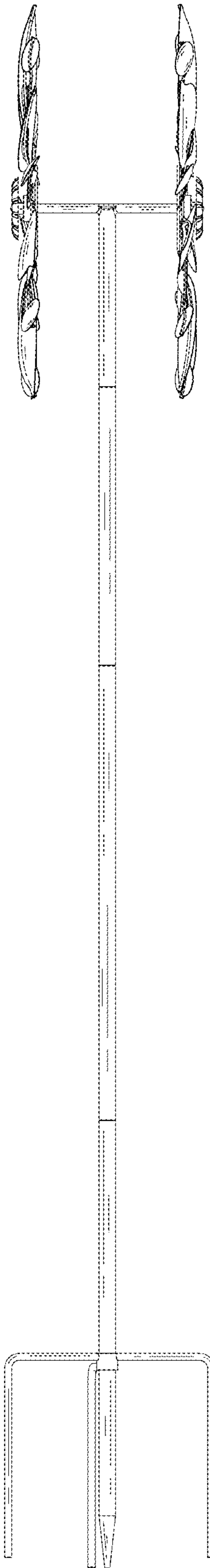


FIG. 5

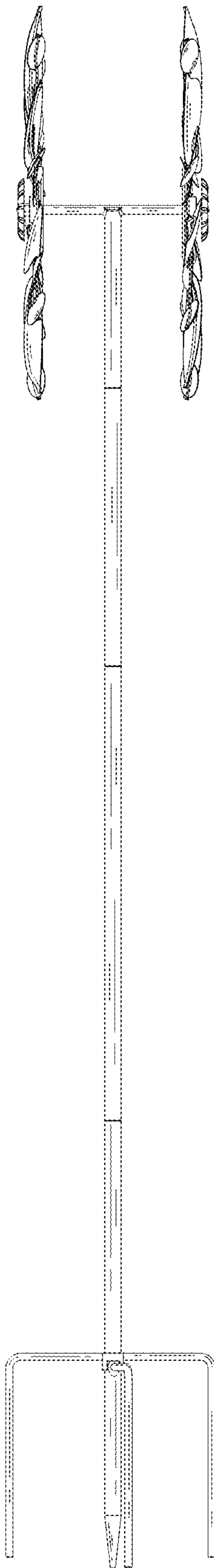


FIG. 6



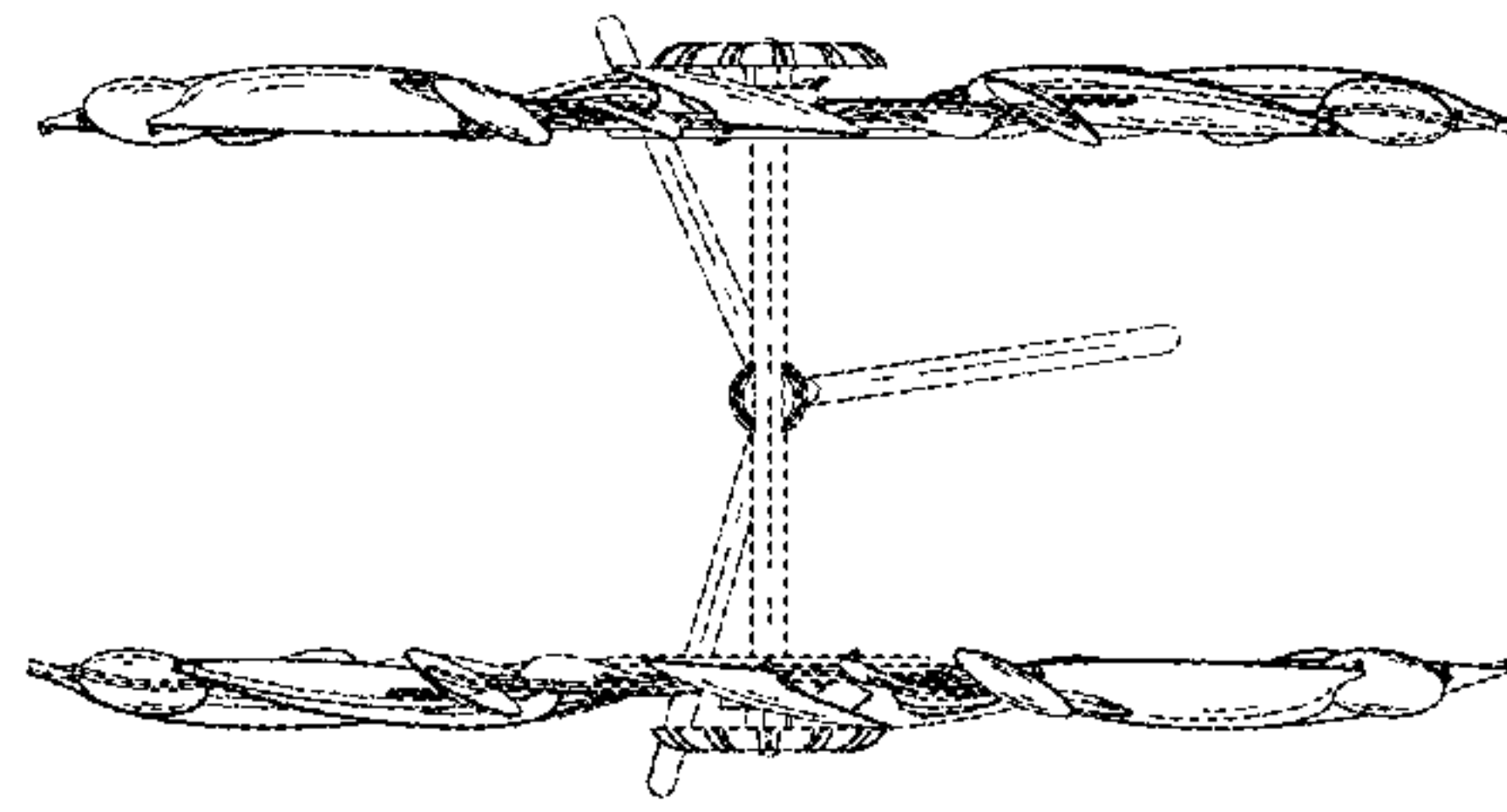


FIG. 7

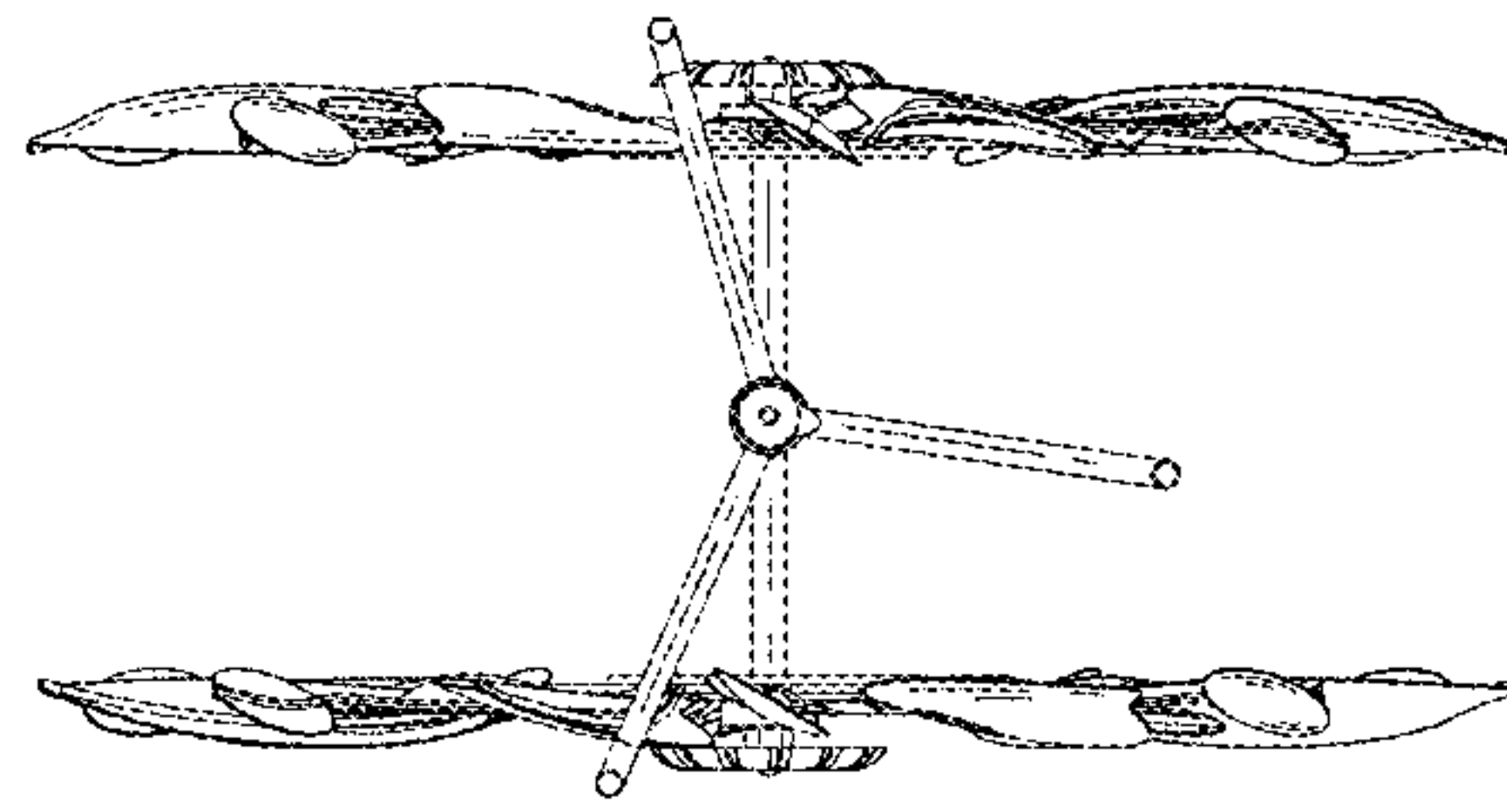


FIG. 8