



US00D981264S

(12) **United States Design Patent**
Akana et al.

(10) **Patent No.:** **US D981,264 S**
(45) **Date of Patent:** **** *Mar. 21, 2023**

(54) **BAND**

(71) Applicant: **Apple Inc.**, Cupertino, CA (US)

(72) Inventors: **Jody Akana**, San Francisco, CA (US); **Molly Anderson**, San Francisco, CA (US); **Bartley K. Andre**, Palo Alto, CA (US); **Shota Aoyagi**, San Francisco, CA (US); **Anthony Michael Ashcroft**, San Francisco, CA (US); **Marine C. Bataille**, San Francisco, CA (US); **Jeremy Bataillou**, San Francisco, CA (US); **Daniele De Iuliis**, San Francisco, CA (US); **Markus Diebel**, San Francisco, CA (US); **M. Evans Hankey**, San Francisco, CA (US); **Julian Hoenig**, San Francisco, CA (US); **Richard P. Howarth**, San Francisco, CA (US); **Jonathan P. Ive**, San Francisco, CA (US); **Julian Jaede**, San Francisco, CA (US); **Duncan Robert Kerr**, San Francisco, CA (US); **Peter Russell-Clarke**, San Francisco, CA (US); **Benjamin Andrew Shaffer**, San Jose, CA (US); **Mikael Silvanto**, San Francisco, CA (US); **Joe Sung Ho Tan**, San Francisco, CA (US); **Clement Tissandier**, San Francisco, CA (US); **Eugene Antony Whang**, San Francisco, CA (US); **Rico Zörkendörfer**, San Francisco, CA (US)

(73) Assignee: **Apple Inc.**, Cupertino, CA (US)

(*) Notice: This patent is subject to a terminal disclaimer.

(**) Term: **15 Years**

(21) Appl. No.: **29/732,451**

(22) Filed: **Apr. 24, 2020**

Related U.S. Application Data

(63) Continuation of application No. 29/708,945, filed on Oct. 10, 2019, now Pat. No. Des. 883,837, which is a

continuation of application No. 29/687,235, filed on Apr. 11, 2019, now Pat. No. Des. 863,096, which is a continuation of application No. 29/675,321, filed on Dec. 31, 2018, now Pat. No. Des. 854,961, which is a continuation of application No. 29/616,681, filed on Sep. 7, 2017, now Pat. No. Des. 837,082.

(51) **LOC (14) Cl.** **11-01**

(52) **U.S. Cl.**
USPC **D11/3**

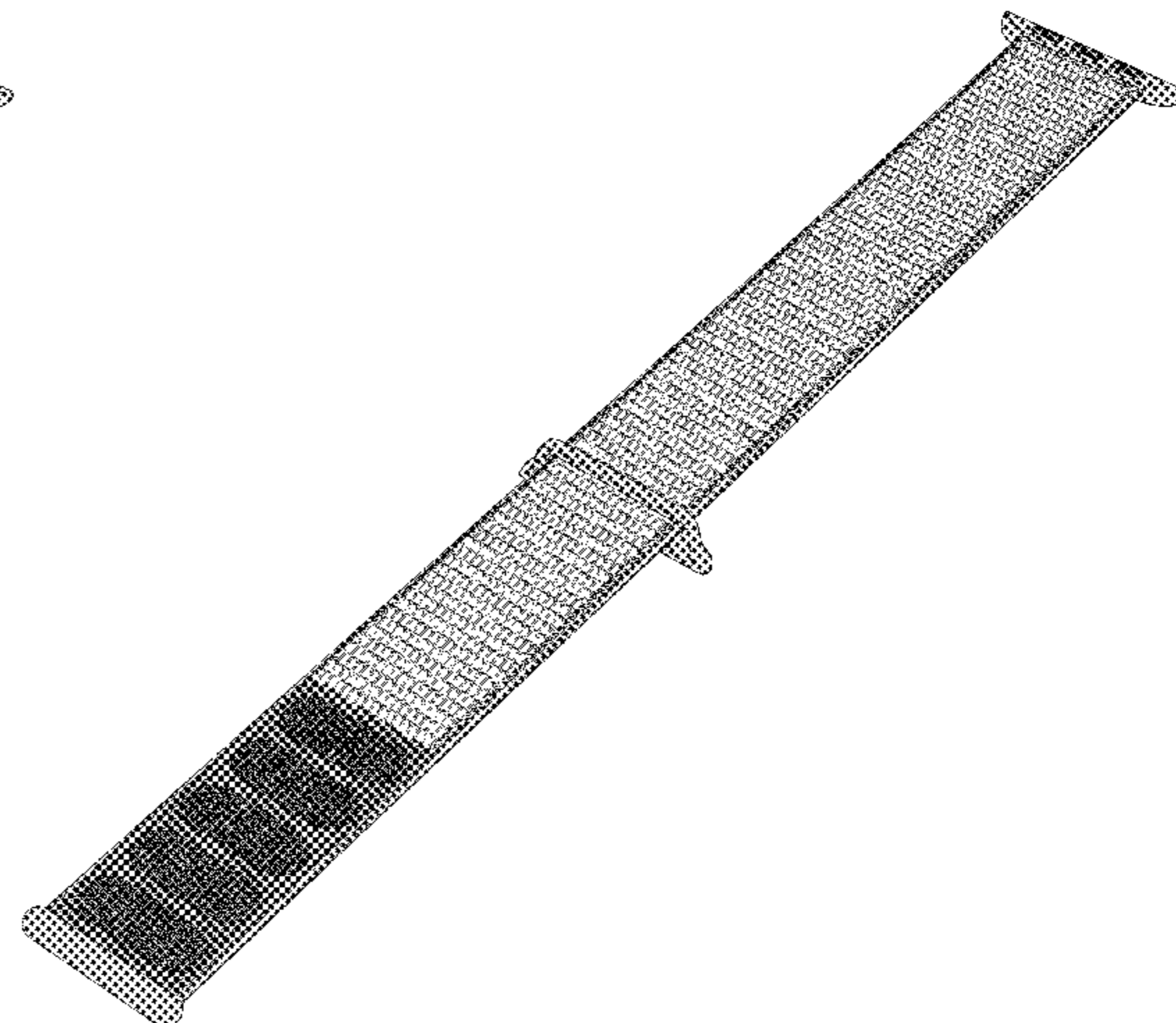
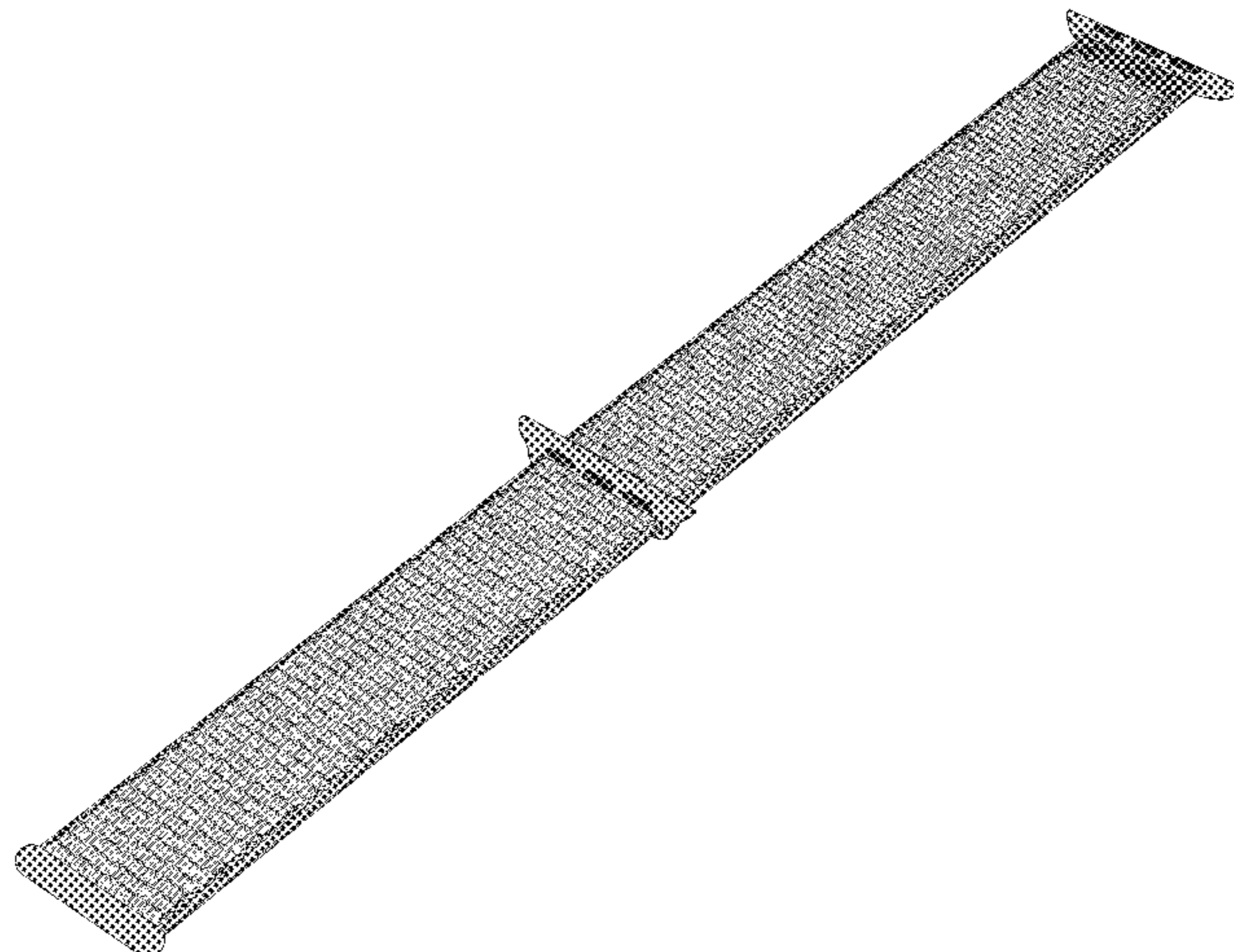
(58) **Field of Classification Search**
USPC D10/31, 32, 38, 39, 46, 70; D11/1-25, D11/86, 87; D14/344
CPC A44C 5/12; A44C 5/14; A44C 5/18; A44C 5/0053; A44C 5/0069; A44C 5/0076; A44C 5/00; A44C 5/0007; A44C 5/0015; A44C 5/0023; A44C 5/003; A44C 5/0061; A44C 5/147; A44C 5/185; A44C 5/2047; A44C 5/2052; G04B 37/00; G04B 37/1486; A44B 11/006; A44B 11/24; A61B 5/681

See application file for complete search history.

(56) **References Cited**

U.S. PATENT DOCUMENTS

296,505 A	4/1884	Babbitt
606,617 A	6/1898	Zirkilton
851,288 A	4/1907	Hodges
D76,609 S	10/1928	Durand
D83,282 S	2/1931	Smith
1,962,037 A	6/1934	Schofer
2,434,383 A	1/1948	Benjamin
2,451,749 A	10/1948	Kreisler
2,451,750 A	10/1948	Kreisler et al.
2,451,780 A	10/1948	Siska
2,498,211 A	2/1950	Kreisler
D161,189 S	12/1950	Knibb
3,030,686 A	4/1962	Burkhardt
D217,389 S	4/1970	Daringer
3,640,065 A	2/1972	Lederrey et al.
3,665,565 A	5/1972	Kruger
3,675,284 A	7/1972	Rieth
3,686,734 A	8/1972	Maurice et al.
3,965,670 A	6/1976	Ihringer
D263,869 S	4/1982	Sumiyasu
D269,254 S	6/1983	Kishimoto
D287,471 S	12/1986	Sato et al.



US D981,264 S

4,627,231 A	12/1986	Kiuchi	D714,178 S	9/2014	Sabbioni
D297,123 S	8/1988	Kabaya	D718,170 S	11/2014	Aumiller et al.
4,963,410 A	10/1990	Bryant	D724,469 S	3/2015	Akana et al.
5,002,212 A	3/1991	Charleton	D727,197 S	4/2015	Akana et al.
D317,730 S *	6/1991	Mo 224/183	D727,198 S	4/2015	Akana et al.
5,168,603 A	12/1992	Reed	D727,199 S	4/2015	Akana et al.
D333,626 S	3/1993	Chang	D728,405 S	5/2015	Poi et al.
5,201,789 A	4/1993	Fontana	D728,624 S	5/2015	Akana et al.
D335,217 S *	5/1993	Seitz D11/5	D729,674 S	5/2015	Behar
D343,584 S	1/1994	Olmes et al.	D729,675 S	5/2015	Behar
D344,177 S	2/1994	Mennie et al.	D731,346 S	6/2015	Akana et al.
5,363,351 A	11/1994	Carney	D735,588 S	8/2015	Shimunov
5,386,933 A	2/1995	Greene et al.	D737,156 S	8/2015	Akana et al.
D356,957 S	4/1995	Burgener	D737,157 S	8/2015	Akana et al.
D362,396 S	9/1995	Chester	D737,158 S	8/2015	Akana et al.
D365,442 S	12/1995	Davis et al.	D737,159 S	8/2015	Akana et al.
D381,046 S	7/1997	Hiers	D739,780 S	9/2015	Akana et al.
D383,993 S	9/1997	Kalbach	D740,150 S	10/2015	Howsam
D390,492 S	2/1998	Riley	D744,356 S	12/2015	Akana et al.
D390,800 S *	2/1998	Yamamoto D10/32	D745,421 S	12/2015	Akana et al.
D391,866 S	3/1998	Brzezinski	D746,707 S	1/2016	Akana et al.
D391,883 S	3/1998	Close	D748,008 S	1/2016	Akana et al.
D392,908 S	3/1998	Gustav et al.	D748,009 S	1/2016	Akana et al.
D400,112 S	10/1998	Rider	D748,010 S	1/2016	Akana et al.
D404,677 S	1/1999	Johnson	D748,527 S	2/2016	Akana et al.
6,101,842 A	8/2000	Delacretaz	D749,460 S	2/2016	Akana et al.
D438,812 S	3/2001	Bert	D751,070 S	3/2016	Akana et al.
D440,163 S	4/2001	Callis	D757,722 S	5/2016	Akana et al.
D459,238 S	6/2002	Wunderman	D759,725 S	6/2016	Akana et al.
D473,818 S	4/2003	Salvisberg	D759,958 S	6/2016	Requa
6,655,831 B1	12/2003	Ruffieux	D762,375 S	8/2016	Duarte
D494,098 S	8/2004	Cohen	D764,340 S	8/2016	Akana et al.
D496,589 S	9/2004	Perrenoud	D764,965 S	8/2016	Akana et al.
D497,826 S	11/2004	Nelson et al.	D766,752 S	9/2016	Akana et al.
D500,671 S	1/2005	Mills et al.	D771,035 S	11/2016	Akana et al.
6,860,097 B2	3/2005	Dal	D771,036 S	11/2016	Akana et al.
D505,064 S	5/2005	Kampfer	D777,163 S	1/2017	Akana et al.
6,970,157 B2	11/2005	Siddeeq	D781,853 S	3/2017	Akana et al.
D513,195 S	12/2005	Gruosi	D789,822 S	6/2017	Akana et al.
7,004,469 B2	2/2006	Von Goeben	D794,490 S	8/2017	Lindgren
7,052,472 B1	5/2006	Miller et al.	D795,121 S	8/2017	Akana et al.
D528,439 S	9/2006	Burton	D800,007 S *	10/2017	Tibi D11/3
D528,928 S	9/2006	Burton	D806,589 S	1/2018	Le et al.
7,106,197 B2	9/2006	Gaioi et al.	D813,076 S	3/2018	Akana et al.
D534,821 S	1/2007	Chen	D821,246 S	6/2018	Akana et al.
D558,227 S	12/2007	Cho et al.	D831,521 S	10/2018	Hodge et al.
D572,266 S	7/2008	Anderson et al.	D836,008 S	12/2018	Schoepfer et al.
D574,735 S	8/2008	Landman et al.	D836,478 S	12/2018	Wright et al.
7,406,789 B2	8/2008	Story	D836,922 S	1/2019	Akana et al.
D578,922 S	10/2008	Hoshino	D837,082 S	1/2019	Akana et al.
D584,170 S	1/2009	Morrison	D838,619 S	1/2019	Akana et al.
D586,823 S	2/2009	Anderson et al.	D843,875 S	3/2019	Akana et al.
D588,487 S	3/2009	Hartzband	D845,812 S	4/2019	Green
D589,372 S	3/2009	Miloradovic et al.	D854,961 S	7/2019	Akana et al.
D589,375 S	3/2009	Tang	D863,096 S	10/2019	Akana et al.
D593,877 S	6/2009	Jorst et al.	D864,783 S *	10/2019	Partrat D11/3
D593,878 S	6/2009	Jorst et al.	D918,759 S *	5/2021	Liu D11/3
D596,049 S	7/2009	Jorst et al.	D928,013 S *	8/2021	Cao D11/3
D596,610 S	7/2009	Hou	D955,255 S *	6/2022	Cai D11/3
D599,680 S	9/2009	Schoepfer	D955,256 S *	6/2022	Cao D11/3
7,591,581 B2	9/2009	Lovegrove et al.	D956,609 S *	7/2022	Yang D11/3
D603,724 S	11/2009	Jorst et al.	D962,106 S *	8/2022	Jiang D11/3
D607,198 S	1/2010	Andre et al.	2003/0172436 A1	9/2003	Thompson
D612,748 S	3/2010	Jorst et al.	2007/0070823 A1	3/2007	Sima
D616,417 S	5/2010	Liao	2007/0125123 A1	6/2007	Sierro et al.
7,708,457 B2	5/2010	Girardin et al.	2009/0168612 A1	7/2009	Robin et al.
D628,375 S	12/2010	Andre et al.	2010/0061191 A1	3/2010	Chen
D637,094 S	5/2011	Cobbett et al.	2012/0041276 A1	2/2012	Doreus et al.
D637,918 S	5/2011	Cobbett et al.	2012/0312052 A1	12/2012	Yliluoma et al.
D643,772 S	8/2011	Mikkelsen	2014/0084033 A1	3/2014	Kellond et al.
D650,706 S	12/2011	Zanella et al.	2014/0096345 A1	4/2014	Tschumi
D655,497 S	3/2012	Stanley	2014/0098649 A1	4/2014	Tschumi
D666,503 S	9/2012	Bulgari	2017/0095044 A1	4/2017	Threatt
8,328,073 B1	12/2012	Smith et al.	2018/0153266 A1	6/2018	Alturk
D681,483 S	5/2013	Biegert et al.	2018/0213895 A1	8/2018	Green et al.
D682,712 S	5/2013	Lammers-Meis et al.			
D694,962 S	12/2013	Silbiger			
8,601,784 B2	12/2013	Kaltenrieder			
D699,701 S	2/2014	Kim			

FOREIGN PATENT DOCUMENTS

DE	10229050	C1	6/2003
EP	1098231	A1	5/2001
EP	2636328	A1	9/2013
GB	618917	A	3/1949
GB	2082277		6/1999
GB	3005267		8/2002
JP	D1058152		1/2000
JP	D1074246		6/2000
JP	D1124844		10/2001
JP	D1158470		11/2002
JP	D1263841		2/2006
JP	D1320355		1/2008
WO	WO-D024219-001		12/1992
WO	WO-D024219-002		12/1992
WO	WO-D024219-003		12/1992
WO	WO-D024219-004		12/1992
WO	WO-D024219-005		12/1992
WO	WO-DM/046136		12/1998
WO	WO-DM/047140-001		5/1999
WO	WO-DM/048231-004		8/1999
WO	WO-DM/049512-006		12/1999
WO	WO-DM/058718-003		3/2002
WO	WO-DM/064910-005		3/2004
WO	WO-DM/066491-004		3/2005
WO	WO-DM/068702-001		9/2007
WO	WO-DM/072215		9/2009
WO	WO-DM/077452-004		6/2011
WO	WO-DM/076656-001		9/2011
WO	WO-DM/080373-001		3/2013
WO	WO-DM/080997-001		6/2013
WO	WO-2013182397	A1	12/2013
WO	WO-2014135709	A2	9/2014

OTHER PUBLICATIONS

22mm Interlocking Stainless Steel Mesh Divers Watch Band Bracelet, XX, < <http://www.strapcode.com/store/22mm-interlocking-stainless-steel-mesh-divers-watch-band-bracelet-p-1255.html>>, accessed on Dec. 4, 2014.

28mm Reform Stainless Steel “SHARK” Polished Mesh Watch Band Deployant Strap, < http://www.ebay.com/itm/28mm-Reform-Stainless-Steel-SHARK-Polished-Mesh-Watch-Band-Deployant-Strap-/231397551849?pt=US_Watch_Bands&hash=item35e05e6ee9>, accessed Dec. 4, 2014.

Adams, Ariel, “Max Bill By Junghans Watches For 2010,” A Blog to Watch.com, < <http://www.ablogtowatch.com/max-bill-by-junghans-watches-for-2010/>>, dated Mar. 25, 2010.

Alvarez, Edgar, “Basis Peak to get its smartwatch-like features in December,” engadget.com, < <http://www.engadget.com/2014/11/20/basis-peak-new-features/>>, dated Nov. 20, 2014, accessed Dec. 15, 2014.

Cool Material, “Braun Square Digital Watch,” < <http://web.archive.org/web/20111125033014/http://coolmaterial.com/style/braun-square-digital-watch/>>, dated Nov. 25, 2011, accessed Dec. 18, 2014.

Emily, “Nixon—The Newton Digital,” < <http://www.freshnessmag.com/2009/09/08/nixon-the-newton-digital/>>, freshnessmag.com, dated Sep. 8, 2009, accessed Oct. 9, 2014.

etsy.com, “1 Set Silver End Cap Clasp—Findings Large Toggle Clasp End Caps Buckle Connector with Five Inside Loops for Jewelry Making 26mm,” < <http://www.etsy.com/listing/101269004/1-set-silver-end-cap-clasp-findings?ref=market>>, Listed on Aug. 29, 2014, accessed Oct. 9, 2014.

Fitbit, “Fitbit Surge™ Fitness Super Watch” < <https://www.fitbit.com/surge>>, accessed Dec. 15, 2014.

geekbuying.com, “Makibes unisex red led digital wrist watch with square case silicone watchband—white,” < <http://www.geekbuying.com/item/Unisex-Red-LED-Digital-Wrist-Watch-with-Square-Case-Silicone-Watchband--White-326443.html>>, accessed Oct. 9, 2014.

Hadley Roma, Hadley-Roma Men’s MB3836RWSE 20 20-mm Stainless Steel Heavy Mesh Watch Strap, < <http://www.amazon.com/Hadley-Roma-MB3836RWSE-20-20-mm-Stainless/dp/B005EJFWFA/>

ref=sr_1_213?ie=UTF8&qid=1416670549&sr=8-213&keywords=watch+band>, accessed Dec. 4, 2014.

Haedges, “1 Set Silver End Cap Clasp—Findings Large Toggle Clasp End Caps Buckle Connector with Five Inside Loops for Jewelry Making 26mm,” < <http://www.etsy.com/listing/101269004/1-set-silver-end-cap-clasp-findings?ref=market>>, Listed on Aug. 29, 2014, accessed Oct. 9, 2014.

Hands-on with Apple’s new Sport Loop band for Apple Watch, available online, [retrieved on Sep. 13, 2018]. Retrieved from the Internet [URL: <http://www.idownloadblog.com/2017/09/14/hands-on-with-apples-new-sport-loop-apple-watch-band/>].

Hodinkee.com, “Apple iPod Nano Now Available With Mickey Mouse Dial, Also Cheesy, Mechanically Inaccurate Open-Worked Dial,” < <http://web.archive.org/web/20111006043916/http://www.hodinkee.com/blog/2011/10/5/apple-ipod-nano-now-available-with-mickey-mouse-dial-also-ch.html>>, dated Oct. 6, 2011, accessed Dec. 18, 2014.

Homego, “M6 Silver Smart Watch Cell Phone 1.54 inch Bluetooth 3.0 Dialer Outdoor Sports Pedometer,” amazon.com, < <http://www.amazon.com/Silver-Bluetooth-Dialer-Outdoor-Pedometer/dp/BOOMQTBGK6>>, accessed Dec. 15, 2014.

Ikepod, “Original Ikepod Watch With GMT—Marc Newson Design,” Watchbox.be, < <http://www.watchbox.be/prod/Others-Watches/Marc%20Newson%20Design/item7165.htm#.VJLm2fAo5D8>>, accessed Dec. 17, 2014.

JPO’s document HJ 20049477, cited in Official Action for JP2018-003556.

LG Life’s Good, “LG G Watch (W100),” < <http://www.lg.com/US/smart-watches/lg-W100-g-watch>>, accessed Dec. 18, 2014.

Metawatch, “Frame—Black (MW3005),” < <http://meta.watch/collections/smartwatch-all/products/frame-ss-black-leather>>, accessed Dec. 15, 2014.

Omate, “Omate TrueSmart: Water-resistant standalone Smartwatch 2.0,” < <http://www.kickstarter.com/projects/omate/omate-truesmart-water-resistant-standalone-smartwa>>, dated Aug. 21, 2013, accessed Oct. 8, 2014.

Omate, “The TrueSmart™ is the world’s first standalone smartwatch 2.0 running on top of Android and OUI 2.0,” < <http://www.omate.com/product.html>>, accessed Dec. 15, 2014.

[Online] <http://www.apple-market.co.uk/wp-content/uploads/2015/06/Apple-Watch-42mm-Stainless-Steel-Case-with-Milanese-Loop-O.jpg>. Retrieved Mar. 28, 2016.

[Online] https://lh6.googleusercontent.com/zOUR6N5g8flH1ouyyCpl7PGTLCMGI_hor1fADdMLMKdwkxkbhVSUIzk-xdirsUk-KxTsHxN_In6WDNHZLo8HNhjGB7GWEXqtMA5bngmvH_MByEitDmuAc0TuFk86vYCArcw. Retrieved Feb. 17, 2015.

[Online] https://s.yimg.com/cd/resizer/2.0/FIT_TO_WIDTH-W500/8088fe4930fb9d97123f776d1cdeb7ca585d7485.jpg. Retrieved Feb. 17, 2015.

[Online] <http://www.gyrofish.com.au/media/catalog/product/cache/1/image/650x650/9df78eab33525d08d6e5fb8d27136e95/tr/triastirling-lansen-chrono-mesh-watch-01.jpg>. Retrieved Mar. 28, 2016.

[Online] http://www.kingice.com/media/catalog/Product/Cache/1/image/9df78eab33525d08d6e5fb8d27136e95/m/e/menswatches-acx10059_1100.jpg. Retrieved Mar. 28, 2016.

[Online] http://www.luxurywatchstraps.co.uk/image_library/P2260073_zpsdd51d922.JPG. Retrieved Mar. 28, 2016.

Pebble, “Pebble Smartwatch,” getpebble.com, < <https://getpebble.com/checkout>>, accessed Dec. 15, 2014.

Ruano, L., “Ikepod Solaris Watch by Marc Newson,” Hypebeast.com, < <http://hypebeast.com/2009/1/ikepod-solaris-watch-by-marc-newson>>, dated Jan. 12, 2009.

Samsung, “Samsung Gear™ 2 Charcoal Black SM-R3800VSAXAR,” < <http://www.samsung.com/us/mobile/wearable-tech/SM-R3800VSAXAR>>, accessed Dec. 15, 2014.

Samsung, “Samsung Gear S™, (Sprint), BlackSM-R750PZKASPR,” < <http://www.samsung.com/us/mobile/wearable-tech/SM-R750PZKASPR>>, accessed Dec. 15, 2014.

Samsung, “Galaxy Gear™Live, Black SM-R3820ZKAXAR,” < <http://www.samsung.com/us/mobile/wearable-tech/SM-R3820ZKAXAR>>, accessed Dec. 15, 2014.

Sony, "Smartwatch," < <http://www.sonymobile.com/us/products/accessories/smartwatch/>>, accessed Dec. 15, 2014.

Sony, "Smartwatch 3 SWR50," < <http://www.sonymobile.com/us/products/smartwear/smartwatch-3-swr50/>>, accessed Dec. 15, 2014.

Stables, James, "Clevercare smartwatch aims to help Alzheimer's suffers and carers: Revamped Sony Smartwatch 2 designed for users that need care," Wearable News, < <http://www.wearable.com/wearable-tech/clevercare-smartwatch-aims-to-help-alzheimers-suffers-and-carers-585>>, dated Dec. 15, 2014.

Team Luxe, "Collector's Edition: Hermes Carre H Watch," Luxpresso, < <http://luxpresso.com/news-couture/collectors-edition-hermes-carre-h-watch/2814>>, dated Jan. 10, 2011, accessed Dec. 18, 2014.

Ted Baker, "Ted Baker Men's TE1054 Time Flies Contemporary Square Digital Case Watch," < <http://www.amazon.com/Ted-Baker-TE1054-Contemporary-Digital/dp/B0045CRTYO%3FSubscriptionId%3DAKIAJ3U4YRIBWCGGKZ2A%26tag%3Dfrases365-20%26linkCode%3Dsp1%26camp%3D2025%26creative%3D165953%26creativeASIN%3DB0045CRTYO>>, accessed Oct. 9, 2014.

The Alt Team, "Ziiiro Celeste Watch Hands-On", Dec. 12, 2012, (<http://www.gadgetmac.com/alt/ziiiro-celeste-watch-hands-on.html>), accessed Dec. 4, 2014.

ThorMax sport woven nylon loop strap for apple watch band wrist bracelet belt fabric-like nylon band for iwatch 1 2 3 NY1008; Source: ThorMax: Retrieved from the Internet: URL: <https://goamiroo.com/products/thormax-sport-woven-nylon-loop-strap-for-apple-watch-band-wrist-bracelet-belt-fabric-like-nylon-band-for-iwatch1-2-3-ny1008>).

Velazco, Chris, "ASUS ZenWatch review: subtle and stylish, with a few shortcomings," Engadget.com, < <http://www.engadget.com/2014/12/11/asus-zenwatch-review/>>, dated Dec. 11, 2014, accessed Dec. 15, 2014.

Watches Infoniac.com, "Hermes Carre H Watch—Extremely Contemporary Design," < <http://watches.infoniac.com/carre-h-watch-hermes.html>>, dated Aug. 13, 2010, accessed Dec. 18, 2014.

Watchismo, "Braun BN0042 Black Date Leather," < <http://web.archive.org/web/20130815073830/http://www.watchismo.com/braun-bn0042bkbk.aspx>>, dated Aug. 15, 2013, accessed Dec. 18, 2014.

* cited by examiner

Primary Examiner — Richard Kearney

(74) *Attorney, Agent, or Firm* — Sterne, Kessler, Goldstein & Fox P.L.L.C.

(57)

CLAIM

The ornamental design for a band, as shown and described.

DESCRIPTION

FIG. 1 is a bottom front perspective view of a band showing the claimed design;

FIG. 2 is a bottom rear perspective view thereof;

FIG. 3 is a front view thereof;

FIG. 4 is a rear view thereof;

FIG. 5 is a left side view thereof;

FIG. 6 is a right side view thereof;

FIG. 7 is a bottom view thereof;

FIG. 8 is a top view thereof; and,

FIG. 9 is a perspective view thereof showing the band in an environment in which it may be used.

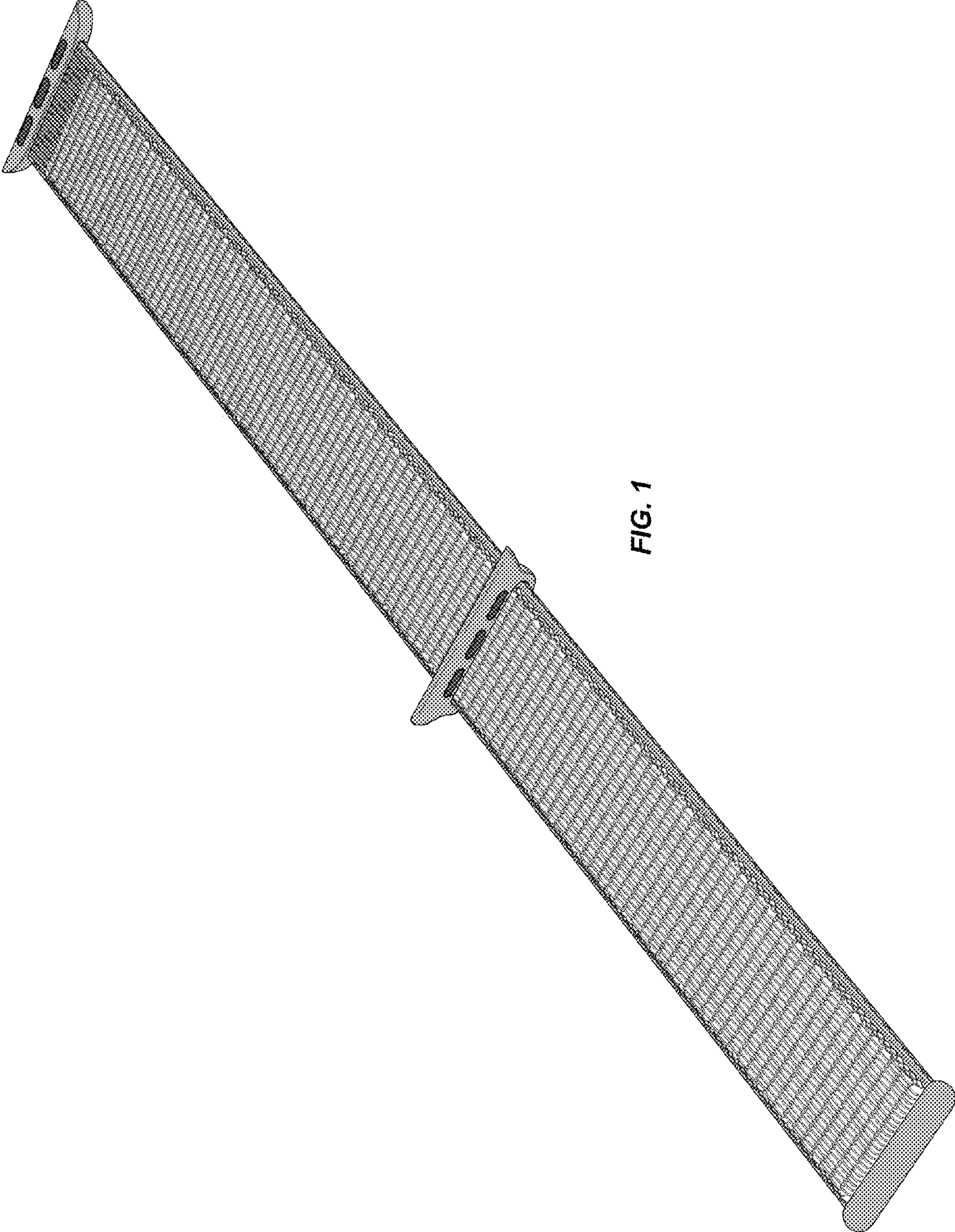
The broken lines in the figures show environment that form no part of the claimed design.

FIGS. 1-9 are illustrated to show contrasting appearance.

The light gray-shaded portions of the band have one appearance, the medium gray-shaded portions of the band have second appearance, the dark gray-shaded portions of the band have third appearance, and the non-shaded claimed portions have a fourth appearance.

Areas in the figures are illustrated to show exemplary fabric structures having different appearances.

1 Claim, 5 Drawing Sheets



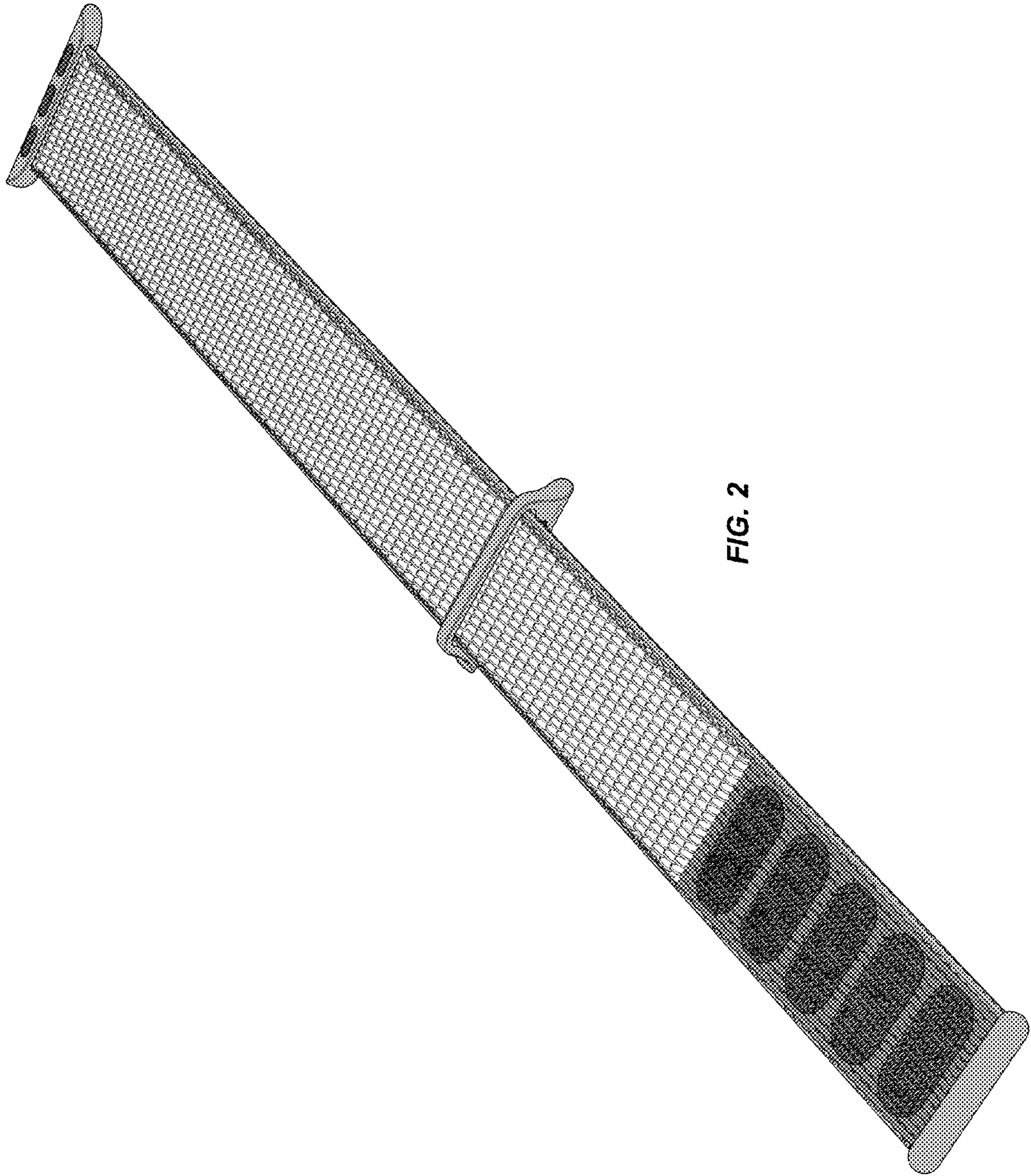


FIG. 2

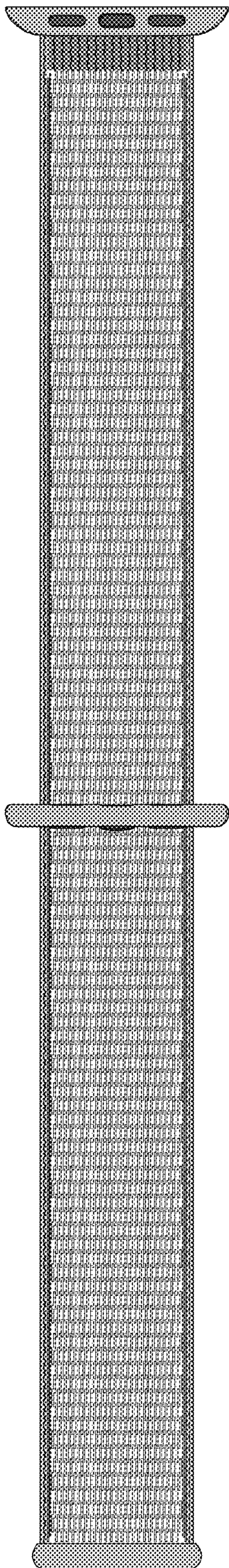


FIG. 3

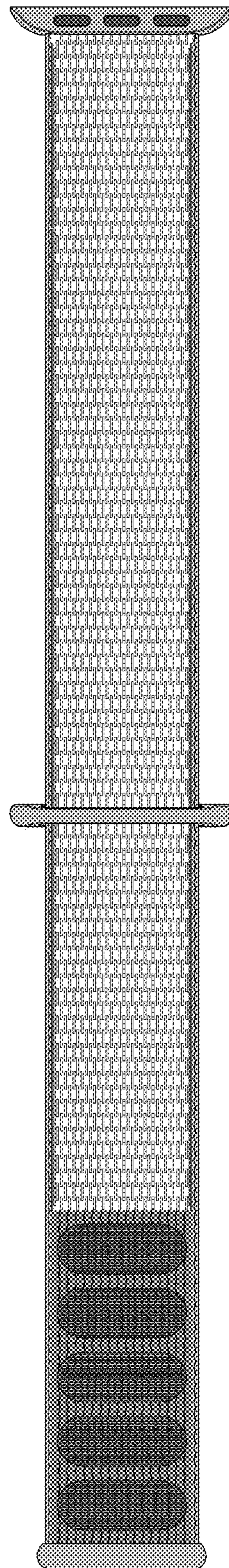


FIG. 4

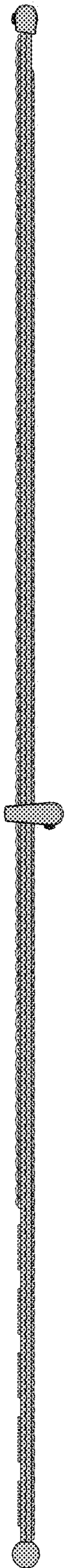


FIG. 5

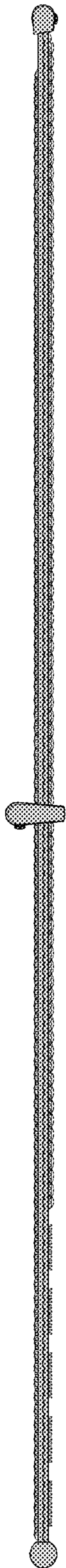


FIG. 6

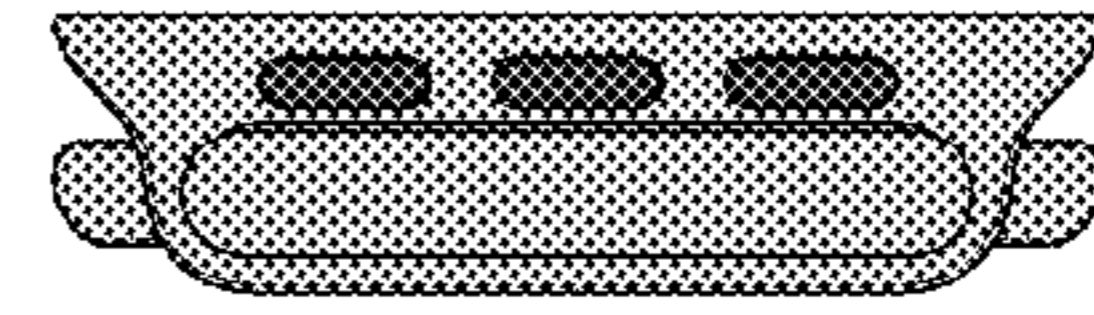


FIG. 7

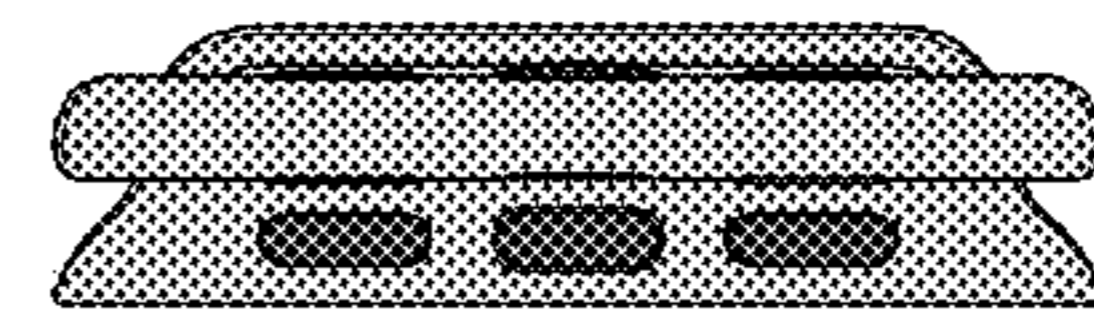


FIG. 8

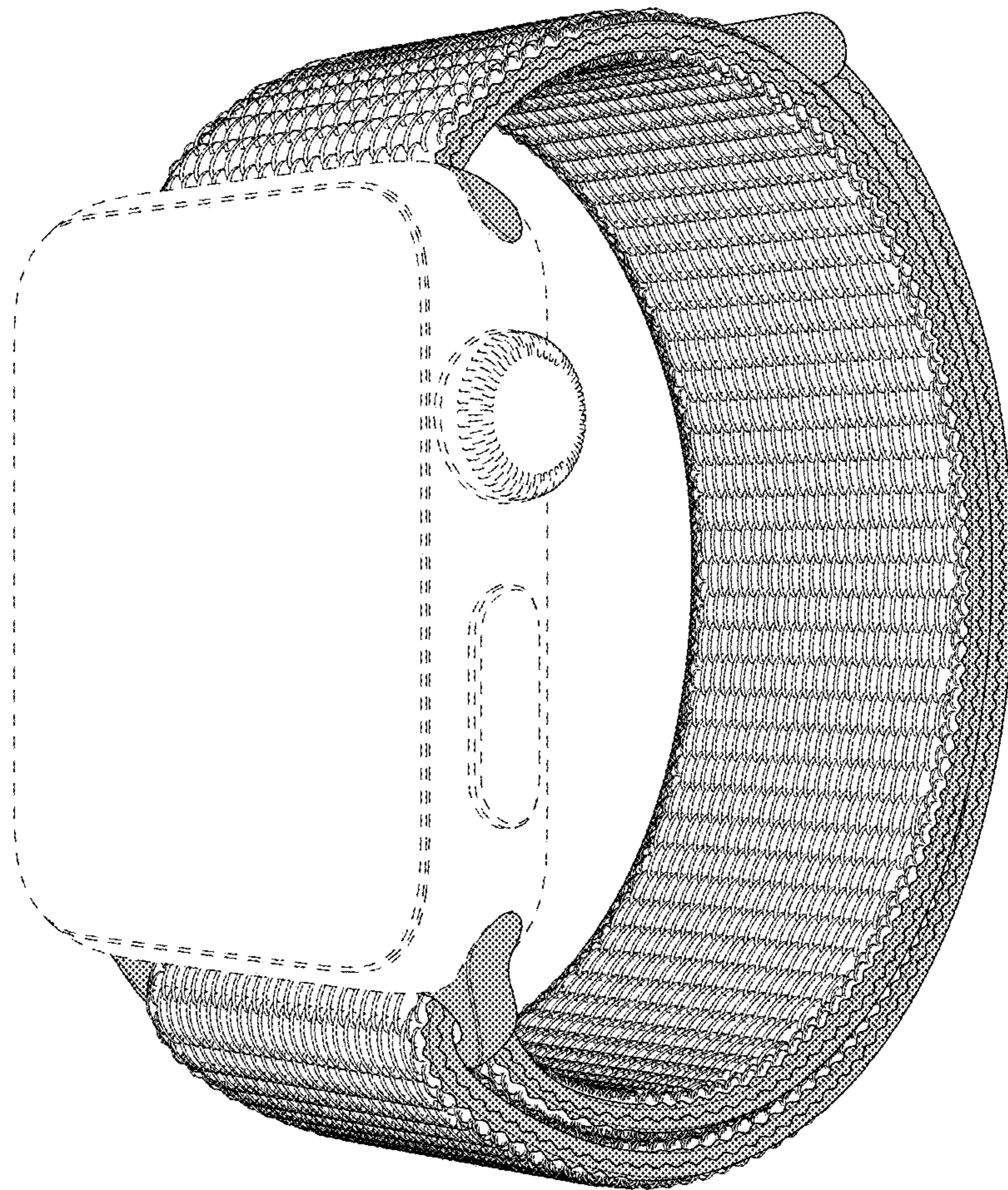


FIG. 9