



US00D981262S

(12) **United States Design Patent** (10) **Patent No.:** **US D981,262 S**
Lee (45) **Date of Patent:** **** Mar. 21, 2023**

(54) **PROTECTIVE SMART WATCH COVER**

FOREIGN PATENT DOCUMENTS

(71) Applicant: **ELAGO CO. LTD**, Goyang-si (KR)

CN 305503352 12/2019
CN 210244091 U 4/2020

(72) Inventor: **Chanwoo Lee**, Goyang-si (KR)

(Continued)

(73) Assignee: **elago CO. LTD**, Goyang-si (KR)

OTHER PUBLICATIONS

(**) Term: **15 Years**

Elkson Compatible with Apple Watch Ultra Bumper Case | amazon.com; date first avail. Oct. 31, 2022 [online]. © 1996-2023, Amazon.com, Inc [retrieved Jan. 27, 2023] from Internet: <https://www.amazon.com/elkson-Compatible-Protector-Tempered-Protective/dp/B0BKZC6B7Q> (Year: 2022).*

(21) Appl. No.: **29/861,060**

(Continued)

(22) Filed: **Nov. 25, 2022**

(51) **LOC (14) Cl.** **10-07**

(52) **U.S. Cl.**

USPC **D10/132**

(58) **Field of Classification Search**

USPC D10/30-39, 122, 128, 129-132; D11/3; D14/344, 440

CPC A44C 5/00; A44C 5/0007; A44C 5/147; A44C 17/02; A45C 2011/001-003; A45C 15/08; A45C 11/10; A45C 11/12; G04B 37/005; G04B 37/0058; G04B 37/084; G04B 37/087; G04G 17/08

See application file for complete search history.

Primary Examiner — Katherine Glennon

(74) *Attorney, Agent, or Firm* — Paratus Law Group, PLLC

(57) **CLAIM**

The ornamental design for a protective smart watch cover, as shown and described.

DESCRIPTION

FIG. 1 is a front, top, and right-side perspective view of a protective smart watch cover, showing my new design; FIG. 2 is a front view thereof; FIG. 3 is a back view thereof; FIG. 4 is a left-side view thereof; FIG. 5 is a right-side view thereof; FIG. 6 is a top view thereof; FIG. 7 is a bottom view thereof; FIG. 8 is a front, bottom, and left-side perspective view thereof; and, FIG. 9 is a front, top, and right-side perspective view thereof, showing the protective smart watch cover in a configuration of use. The broken lines shown in FIG. 9 depict environmental subject matter only and form no part of the claimed design.

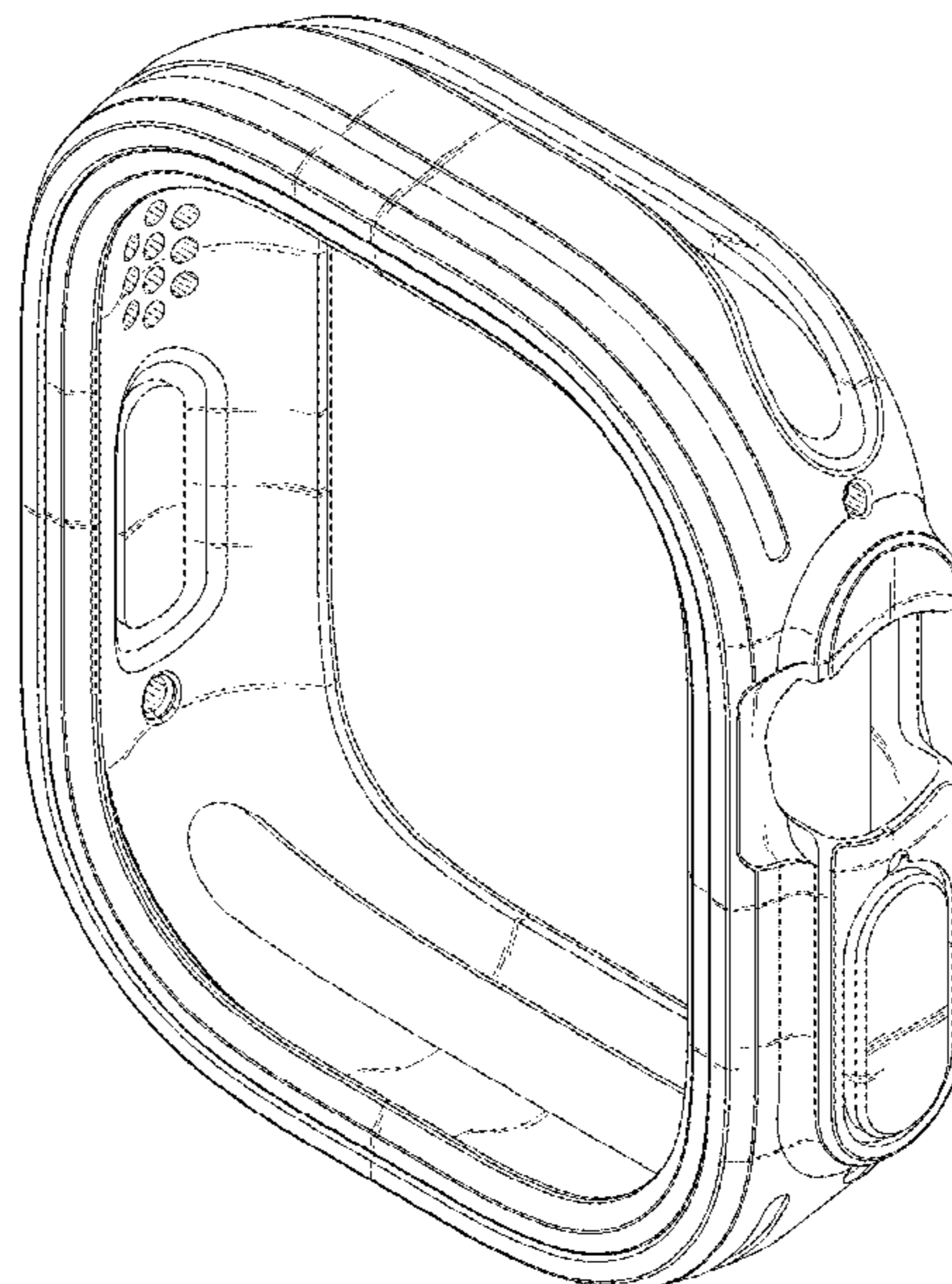
(56) **References Cited**

U.S. PATENT DOCUMENTS

D766,904 S 9/2016 Jung
D769,879 S 10/2016 Kim
D771,504 S * 11/2016 Lai D10/30
D780,740 S 3/2017 Kim
D786,879 S 5/2017 Kim
D885,229 S 5/2020 Kim
D888,710 S 6/2020 Yun et al.
D897,350 S 9/2020 Wang
D898,745 S 10/2020 Ye
D902,768 S 11/2020 Lin
D903,508 S 12/2020 Zhang

(Continued)

1 Claim, 7 Drawing Sheets



(56)

References Cited

FOREIGN PATENT DOCUMENTS

U.S. PATENT DOCUMENTS

D912,676 S * 3/2021 Wright D14/440
 D913,138 S 3/2021 Maile et al.
 D920,147 S 5/2021 Liu
 D925,385 S 7/2021 Lin
 D951,124 S * 5/2022 Deng D10/32
 D952,496 S 5/2022 Yu
 D960,893 S 8/2022 Zhou
 D961,597 S * 8/2022 Painter D14/440
 11,422,507 B2 8/2022 Wang et al.
 D964,875 S 9/2022 Lin
 D970,377 S * 11/2022 Liu D10/132
 D971,028 S * 11/2022 Lee D10/30
 2015/0296963 A1 * 10/2015 Byun G04G 17/08
 224/191
 2017/0248922 A1 8/2017 Hyncek
 2020/0363773 A1 * 11/2020 Wang G04B 37/0058
 2021/0364992 A1 11/2021 Yang et al.
 2022/0163925 A1 * 5/2022 You G04B 37/005
 2022/0291639 A1 * 9/2022 Zhuang G04G 17/08

CN 306891562 10/2021
 CN 306933385 11/2021
 CN 306933386 11/2021
 CN 306949046 11/2021
 EM 008787329-0001 12/2021
 EM 009046238-0002 6/2022
 EM 009046238-0003 6/2022
 EM 009153182-0001 8/2022
 GB 6225449 9/2022

OTHER PUBLICATIONS

Ringke Slim Compatible with Apple Watch Ultra Case | amazon.com; date first available Oct. 25, 2022 [online]. © 1996-2023, Amazon.com, Inc [retrieved Jan. 27, 2023] from Internet: <https://www.amazon.com/Ringke-Slim-Anti-Yellowing-Compatible-Transparent/dp/B0BKGZBNB4/ref=psdc_10048700011_t1_B0BLTF2NJ9?th=1> (Year: 2022).*

* cited by examiner

FIG. 1

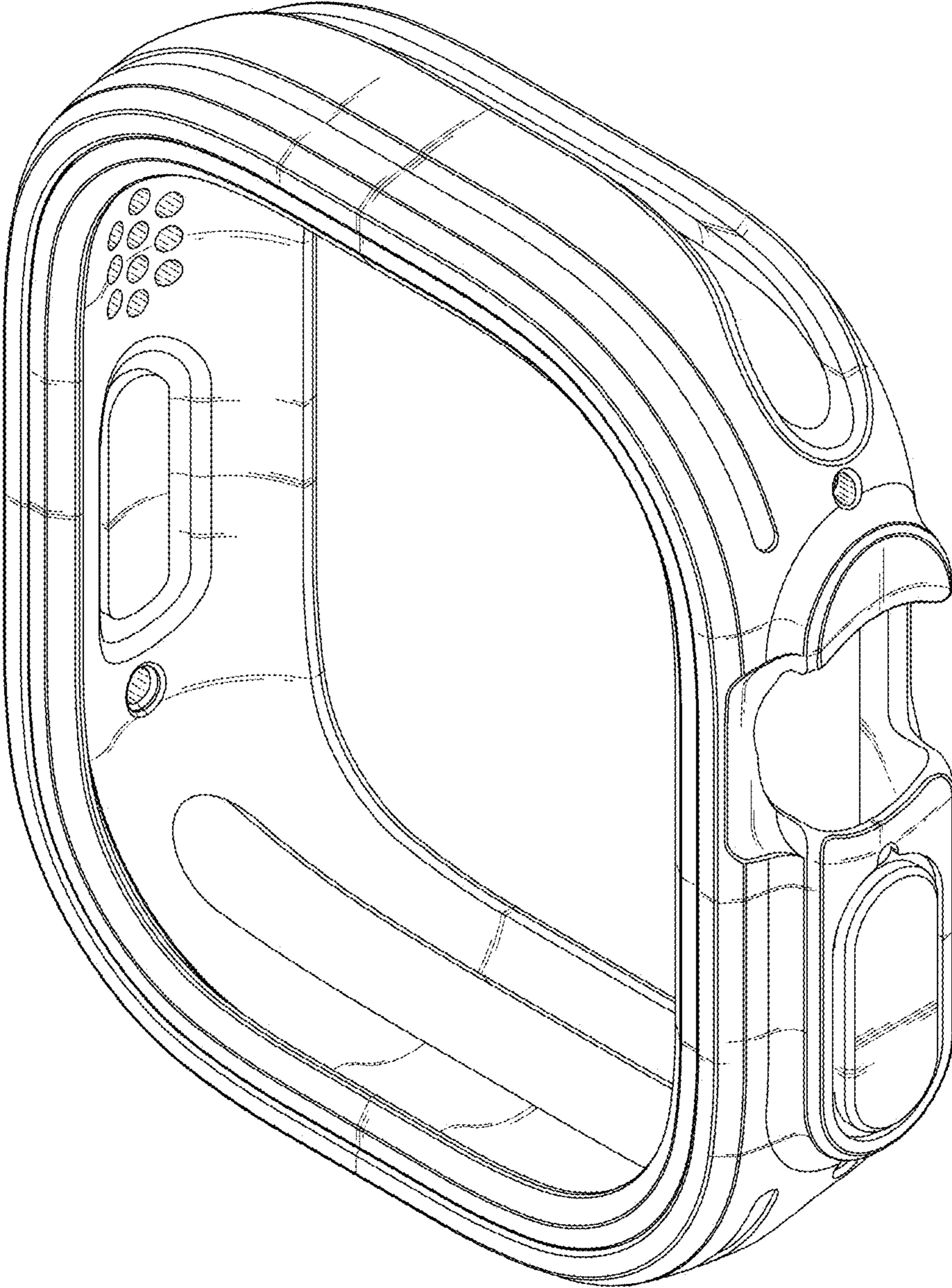


FIG. 2

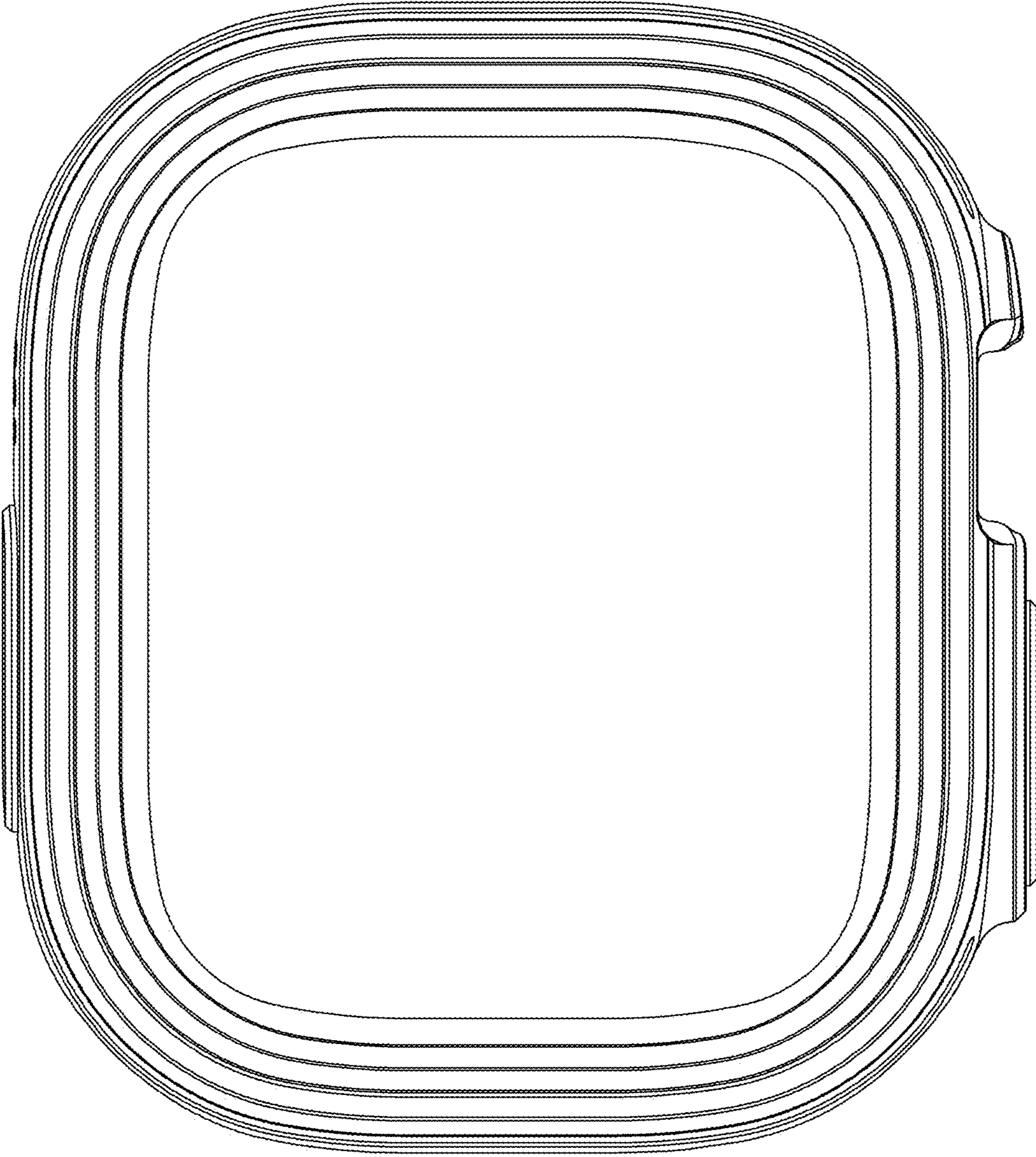


FIG. 3

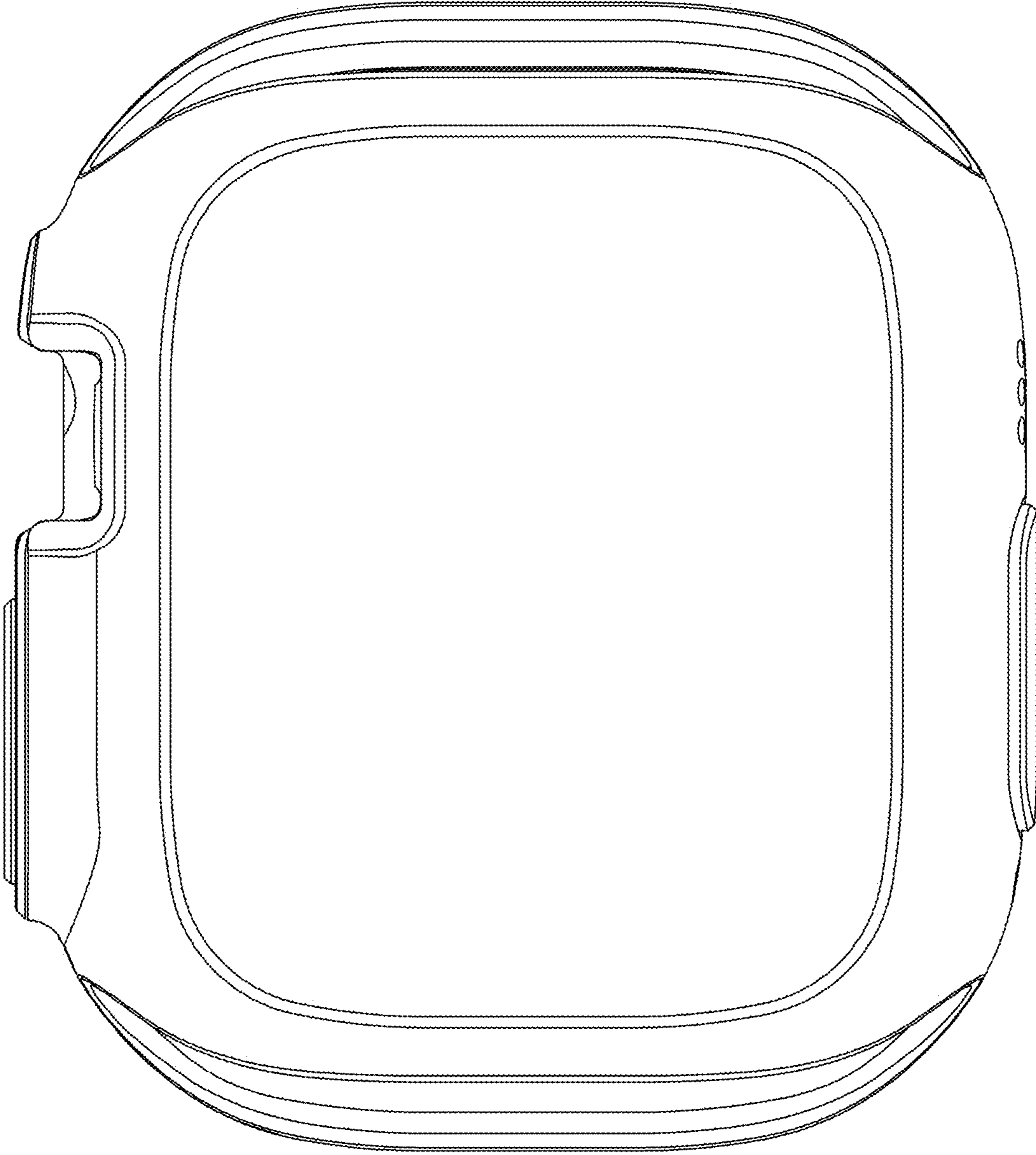


FIG. 4

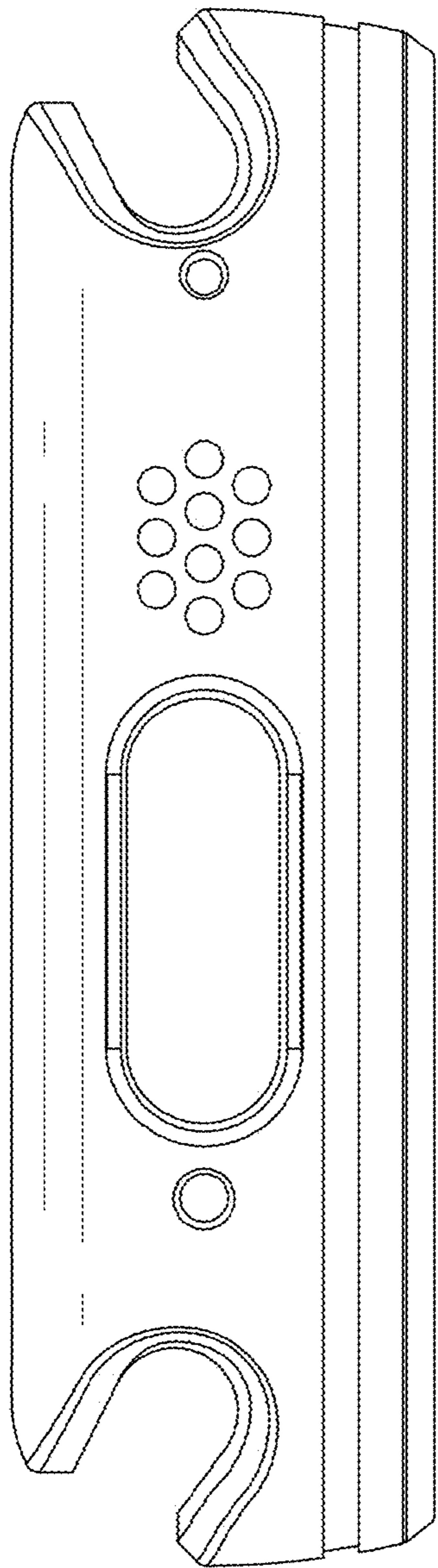


FIG. 5

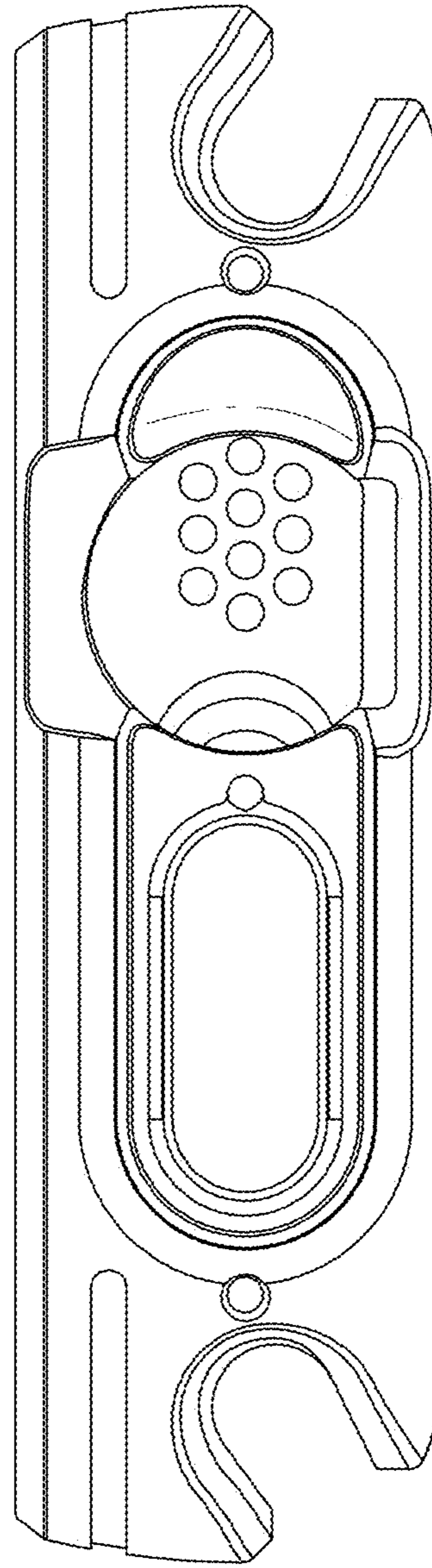


FIG. 6

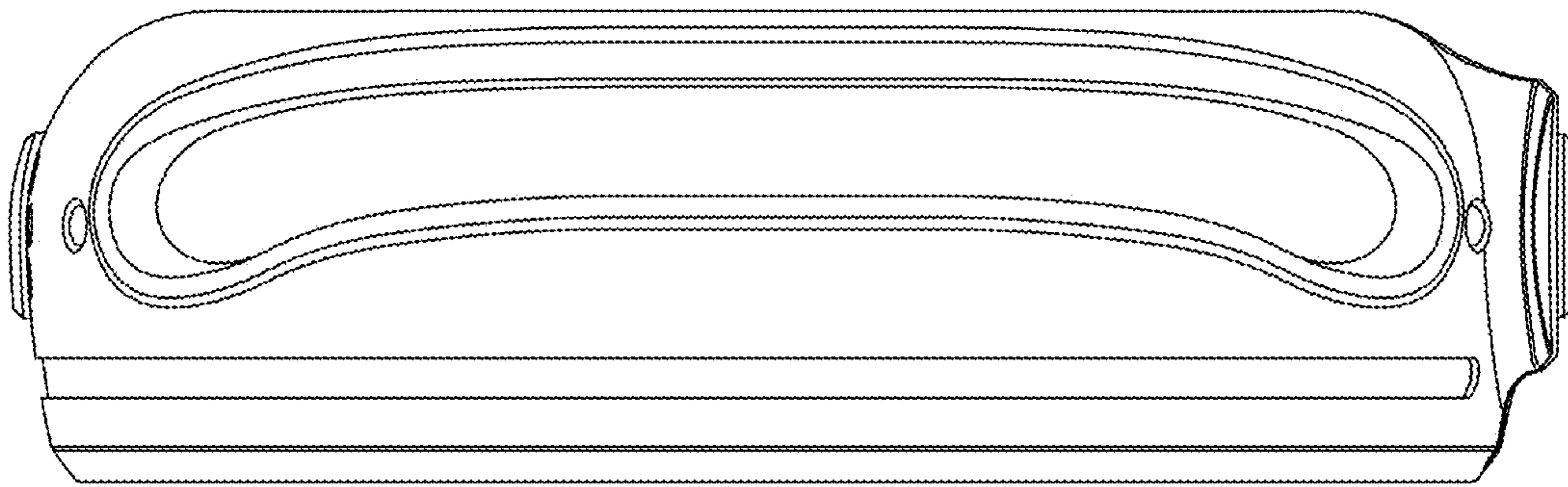


FIG. 7

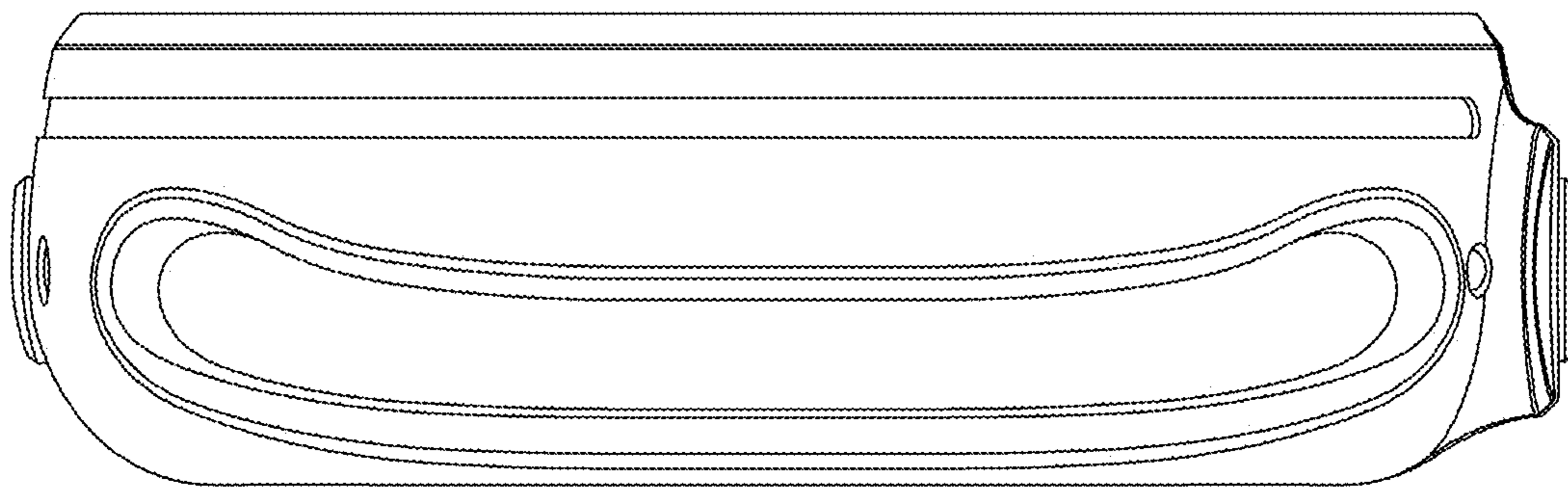


FIG. 8

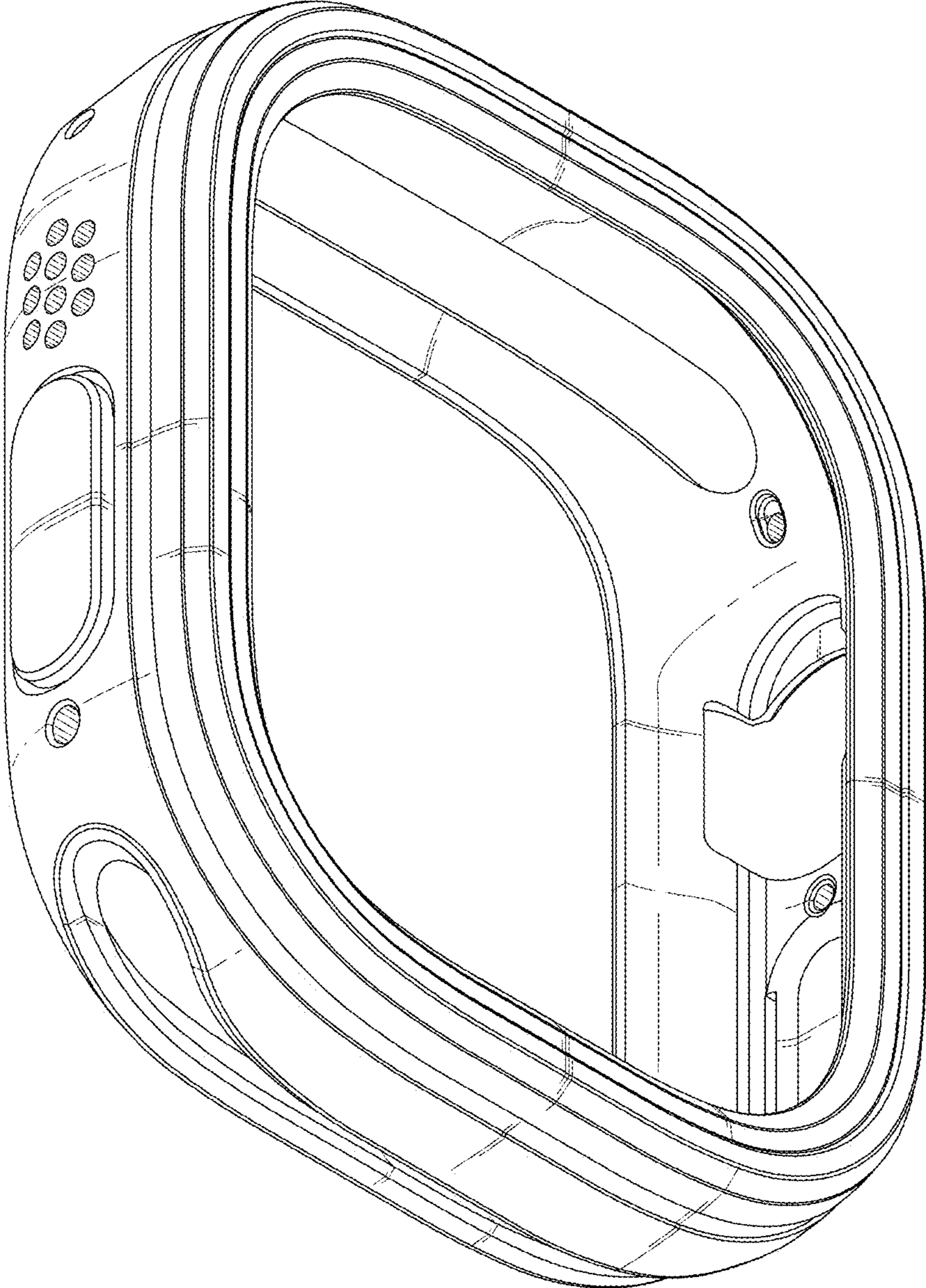


FIG. 9

