



US00D981261S

(12) **United States Design Patent**
Pan

(10) **Patent No.:** **US D981,261 S**
(45) **Date of Patent:** **** Mar. 21, 2023**

(54) **VIDEO DOORBELL MOUNT**
(71) Applicant: **Shenzhen Guang Teng Trading Co., LTD, Shenzhen (CN)**

D968,995 S 11/2022 Liu
D968,996 S * 11/2022 Zeng D10/121
D972,428 S * 12/2022 Pritchett F16M 13/02
D10/121

(72) Inventor: **Yujun Pan, Gaozhou (CN)**
(73) Assignee: **Shenzhen Guang Teng Trading Co., LTD, Shenzhen (CN)**

* cited by examiner

Primary Examiner — George D. Kirschbaum

(**) Term: **15 Years**

(57) **CLAIM**

The ornamental design for a video doorbell mount, as shown and described.

(21) Appl. No.: **29/862,296**

DESCRIPTION

(22) Filed: **Dec. 8, 2022**

(51) **LOC (14) Cl.** **10-05**

(52) **U.S. Cl.**
USPC **D10/121**

(58) **Field of Classification Search**
USPC D10/121
See application file for complete search history.

FIG. 1 is a front perspective view of a video doorbell mount, showing my new design;
FIG. 2 is a bottom perspective view thereof;
FIG. 3 is a rear perspective view thereof;
FIG. 4 is a front view thereof;
FIG. 5 is a rear view thereof;
FIG. 6 is a left side view thereof;
FIG. 7 is a right side view thereof;
FIG. 8 is a top view thereof; and,
FIG. 9 is a bottom view thereof.

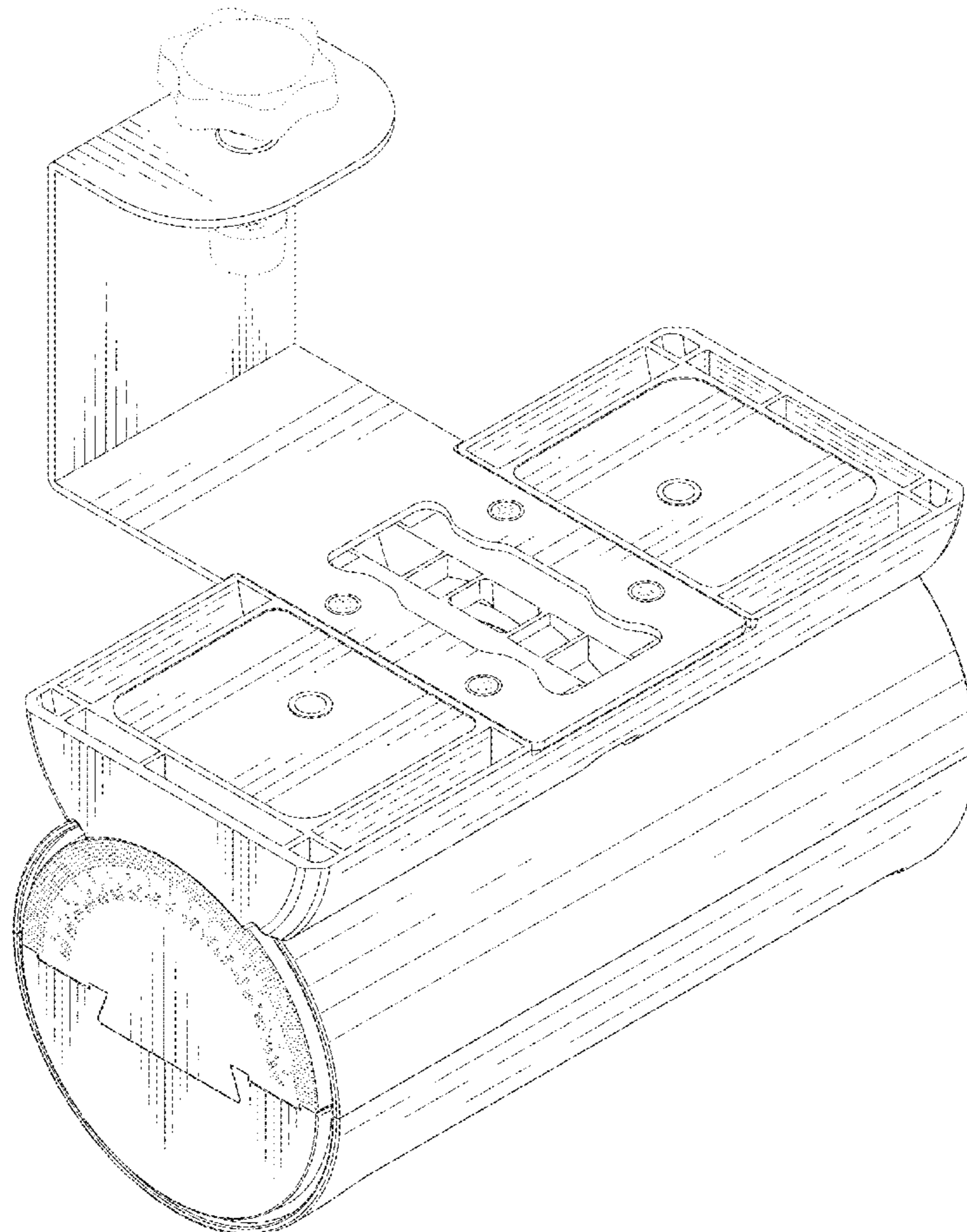
The broken lines in the drawings illustrate the portions of the video doorbell mount, which form no part of the claimed design.

(56) **References Cited**

U.S. PATENT DOCUMENTS

D932,931 S * 10/2021 Li D10/121
D953,909 S * 6/2022 Pan D10/121

1 Claim, 9 Drawing Sheets



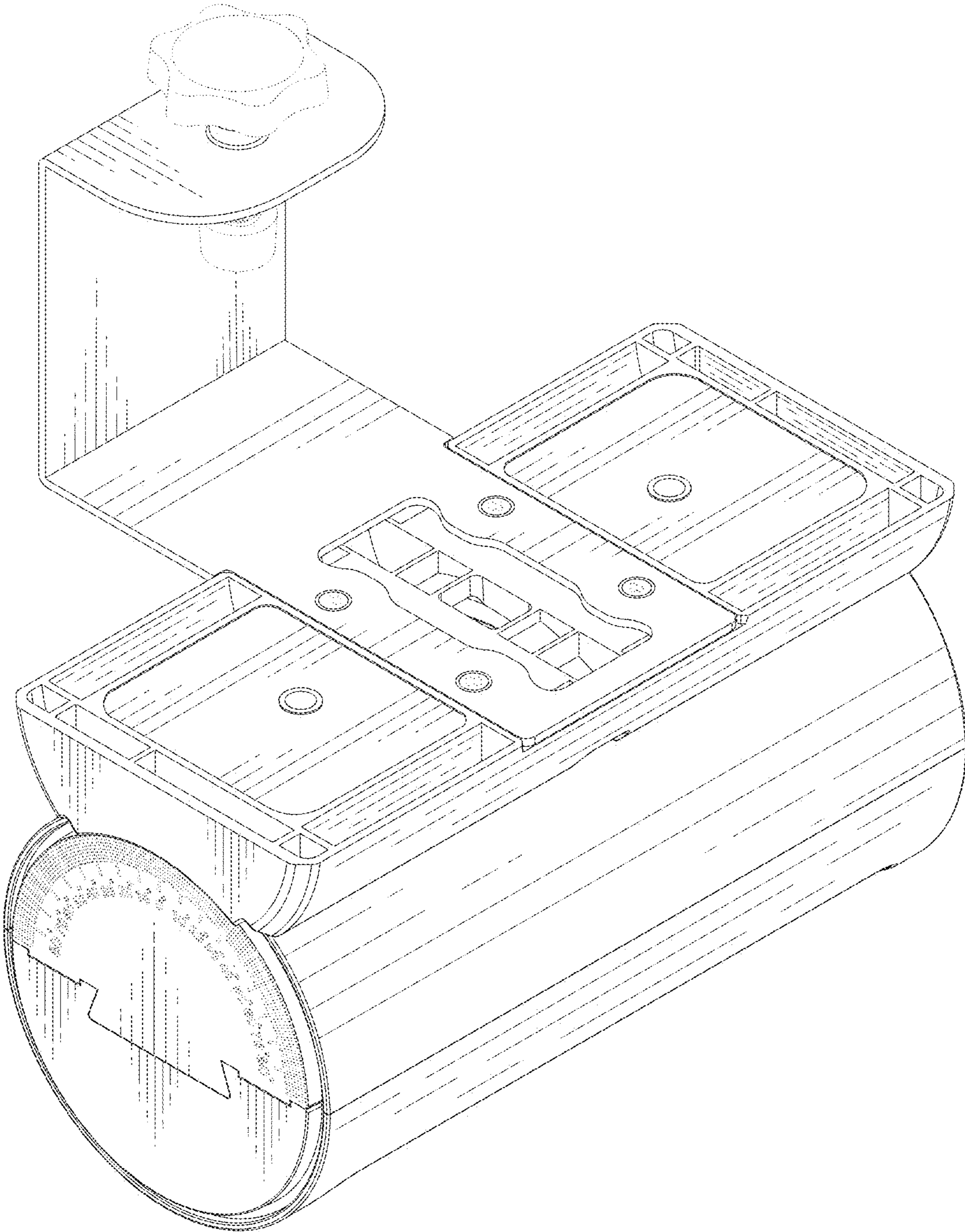


FIG. 1

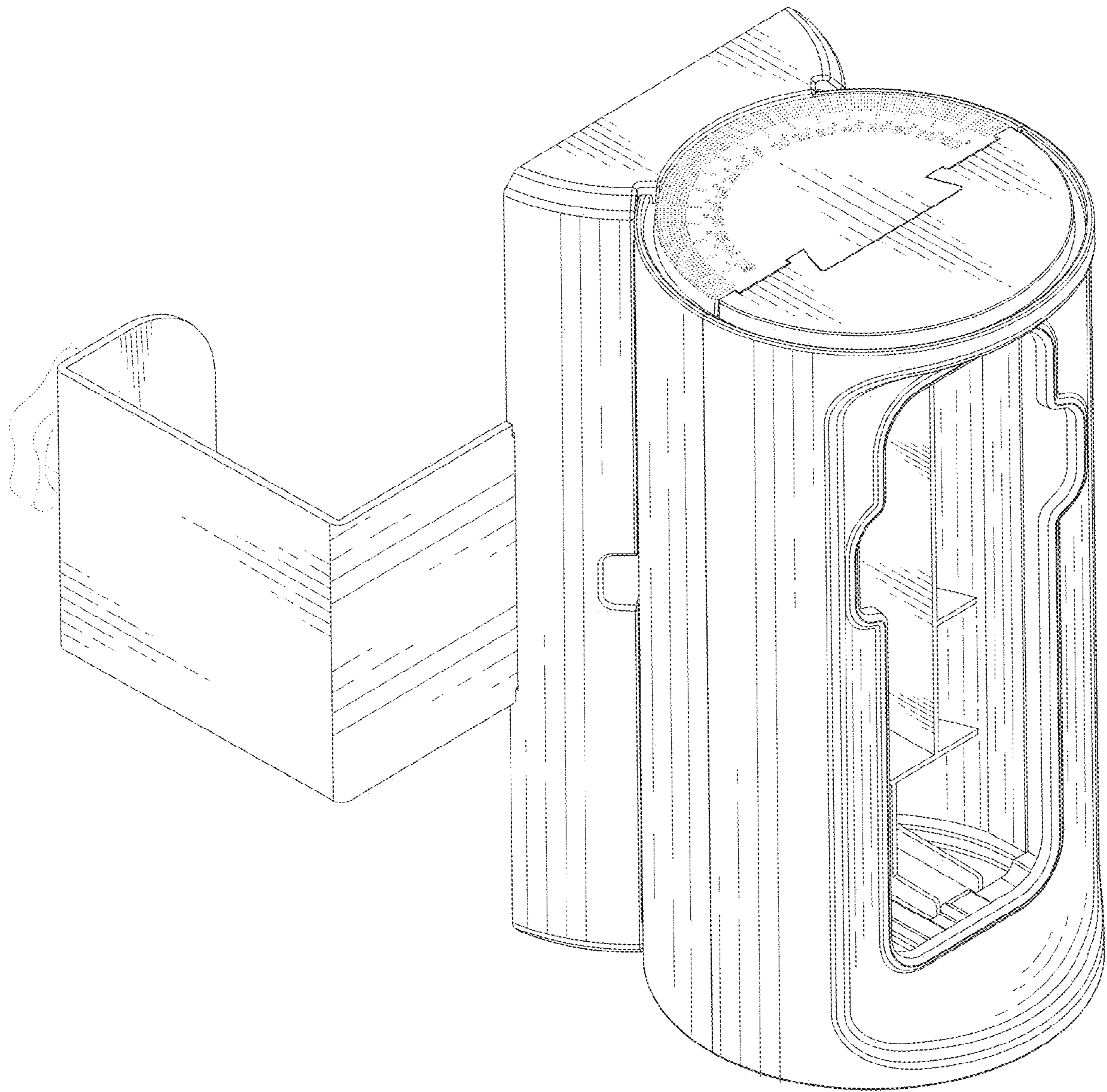


FIG. 2

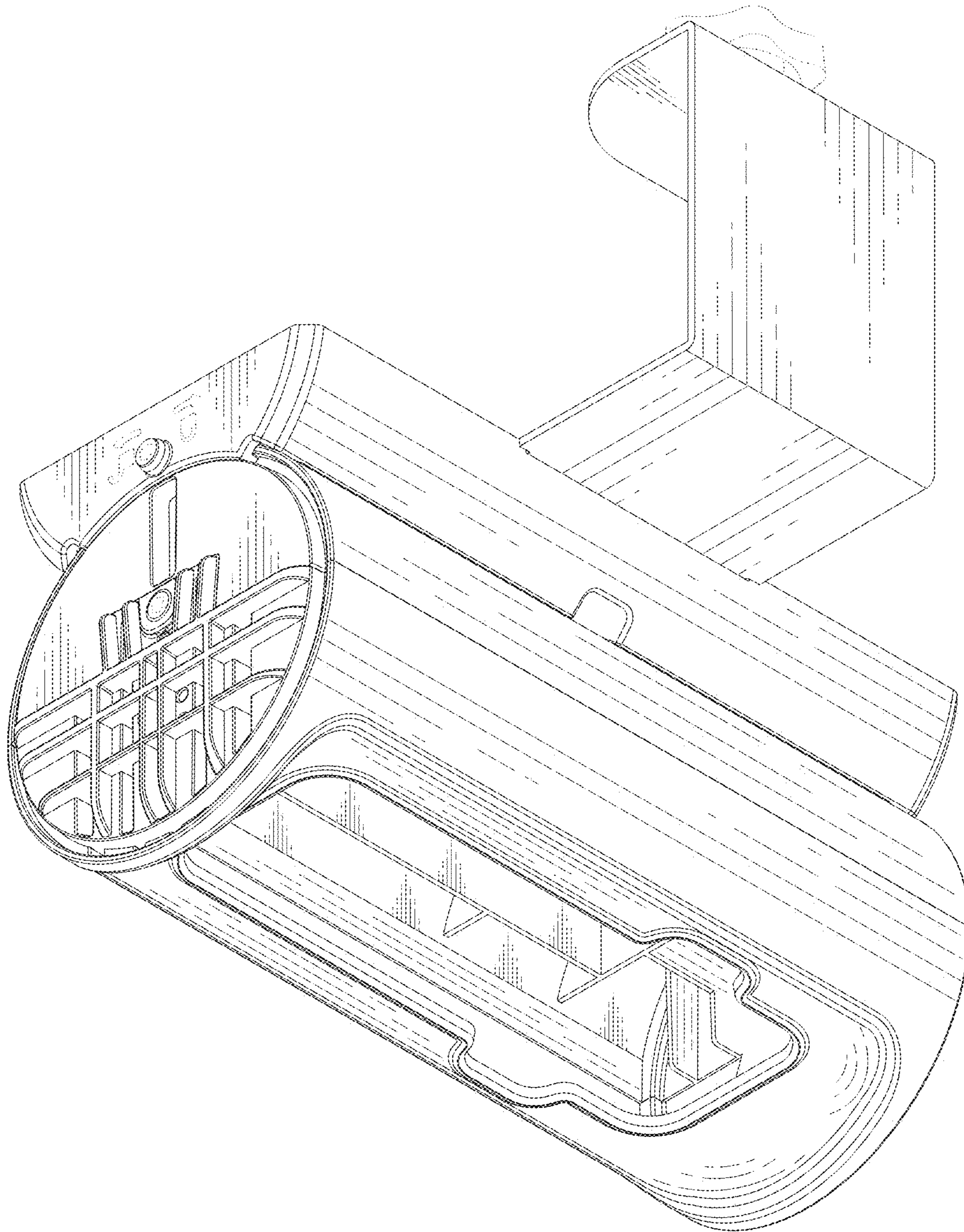


FIG. 3

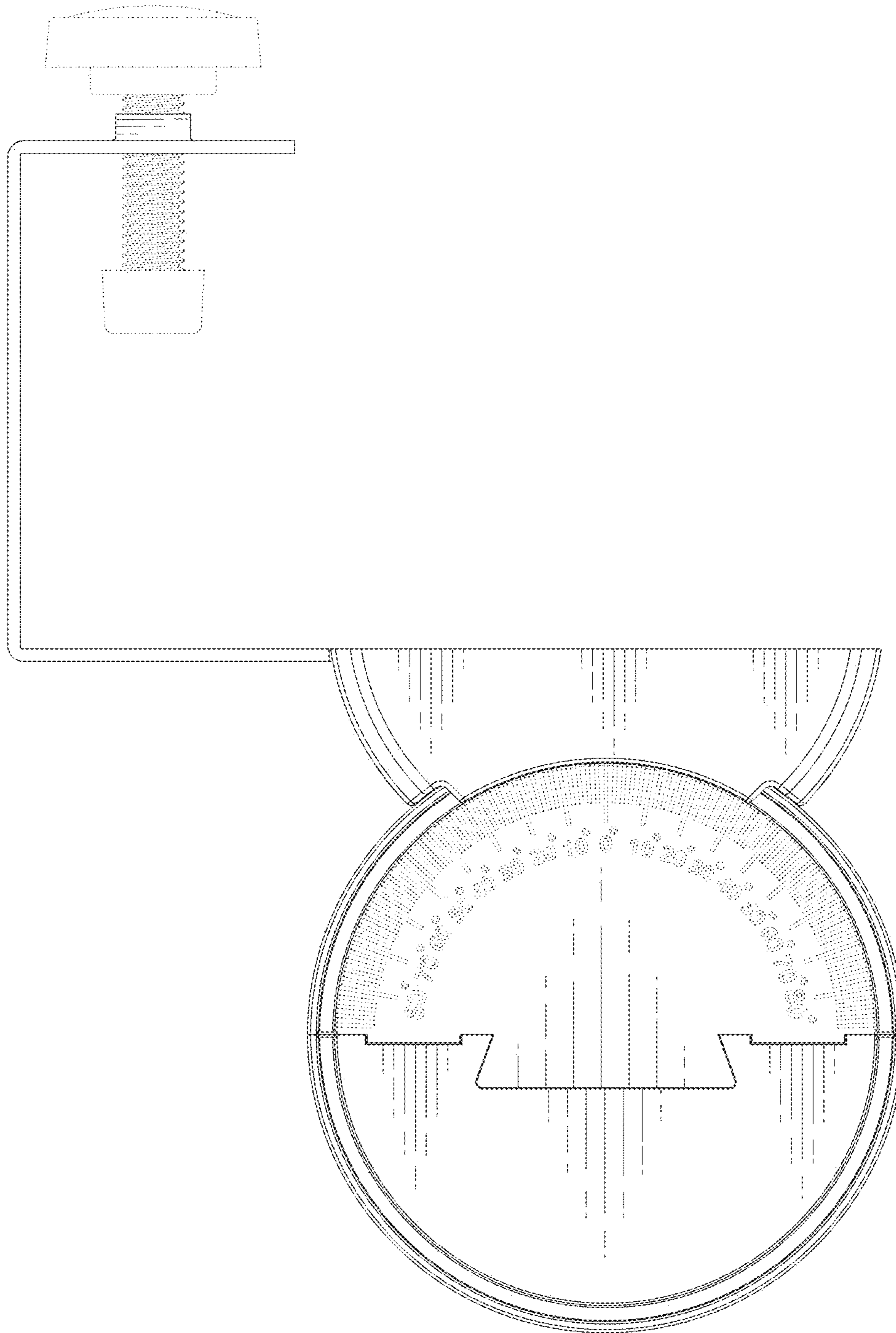


FIG. 4

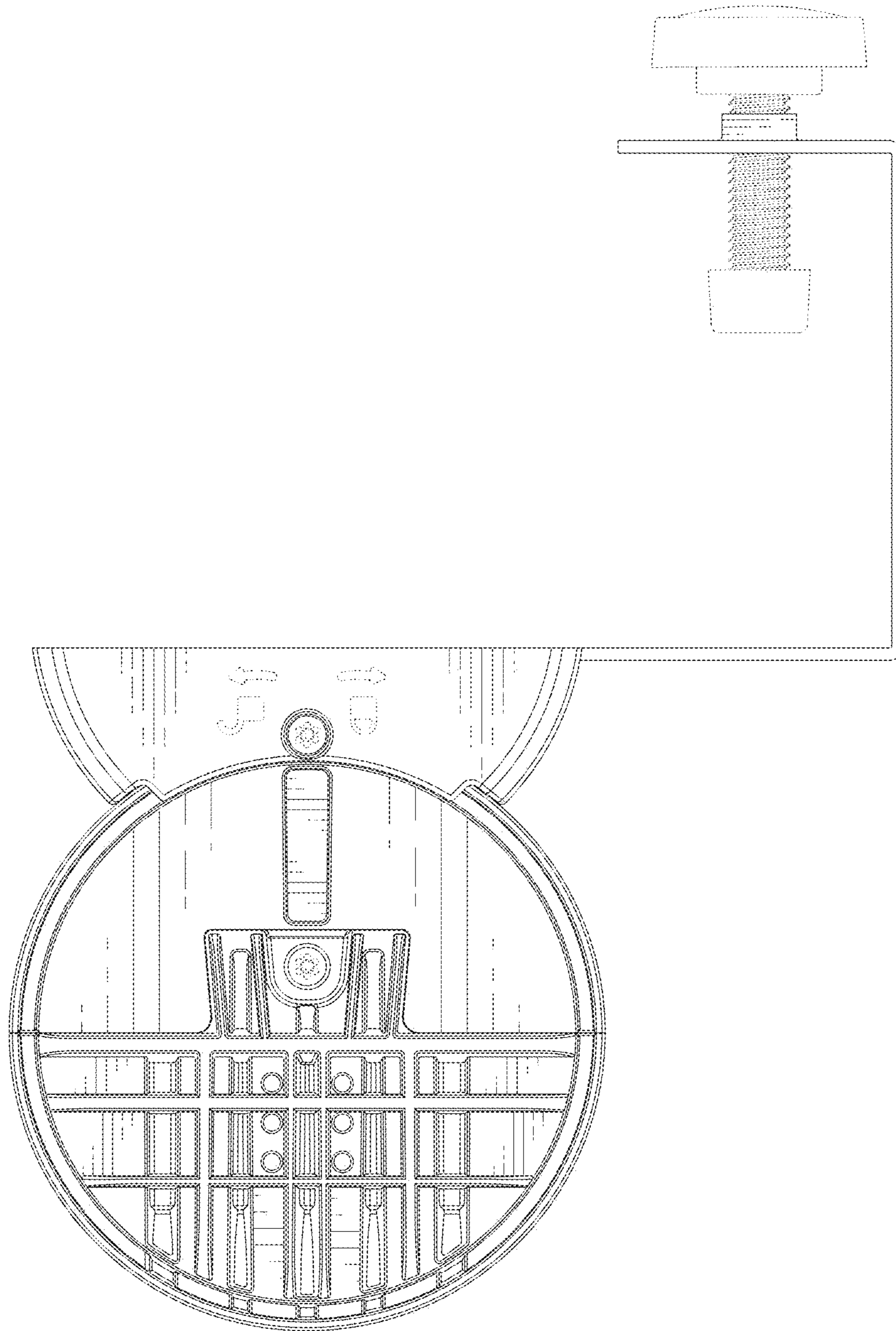


FIG. 5

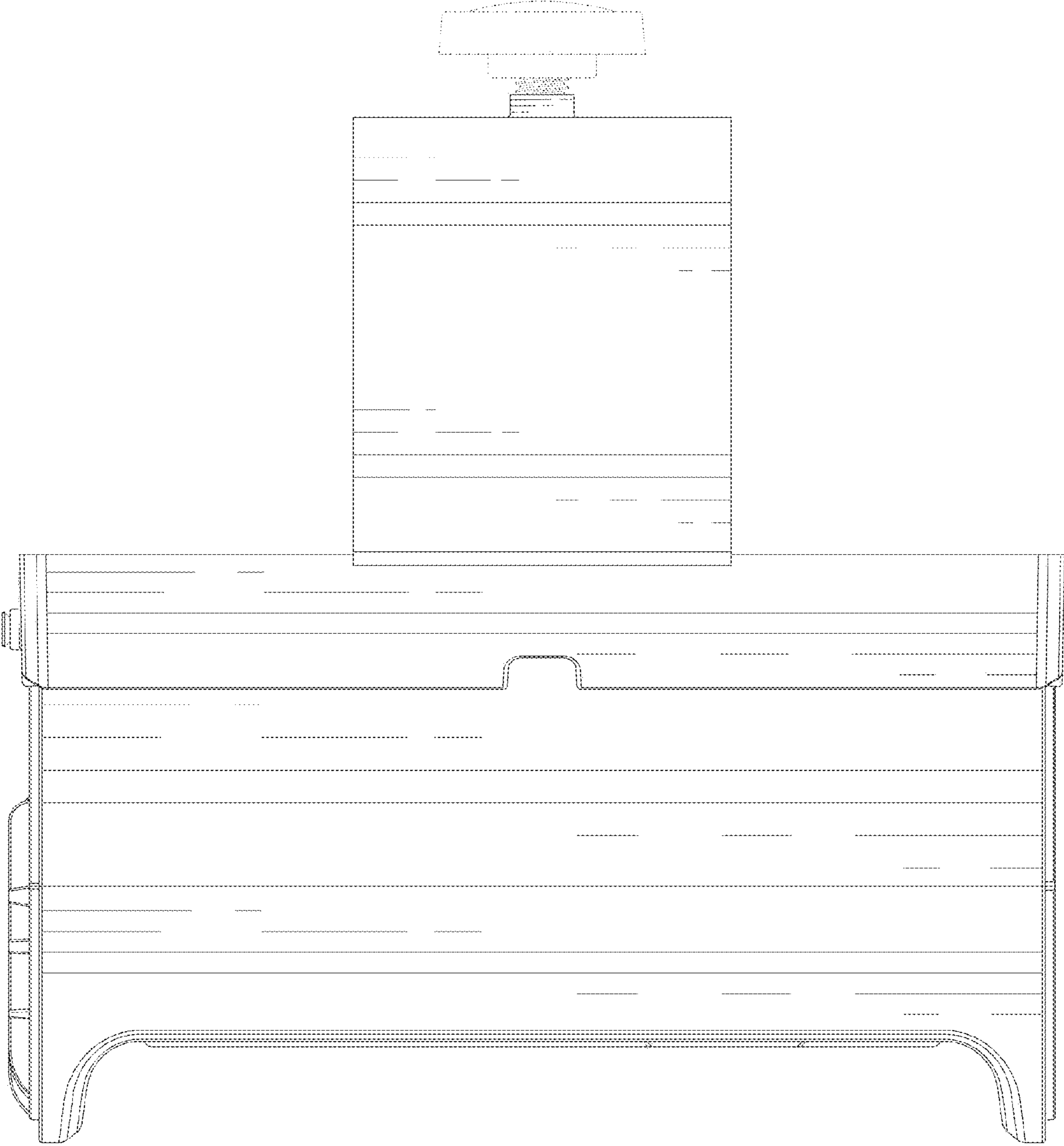


FIG. 6

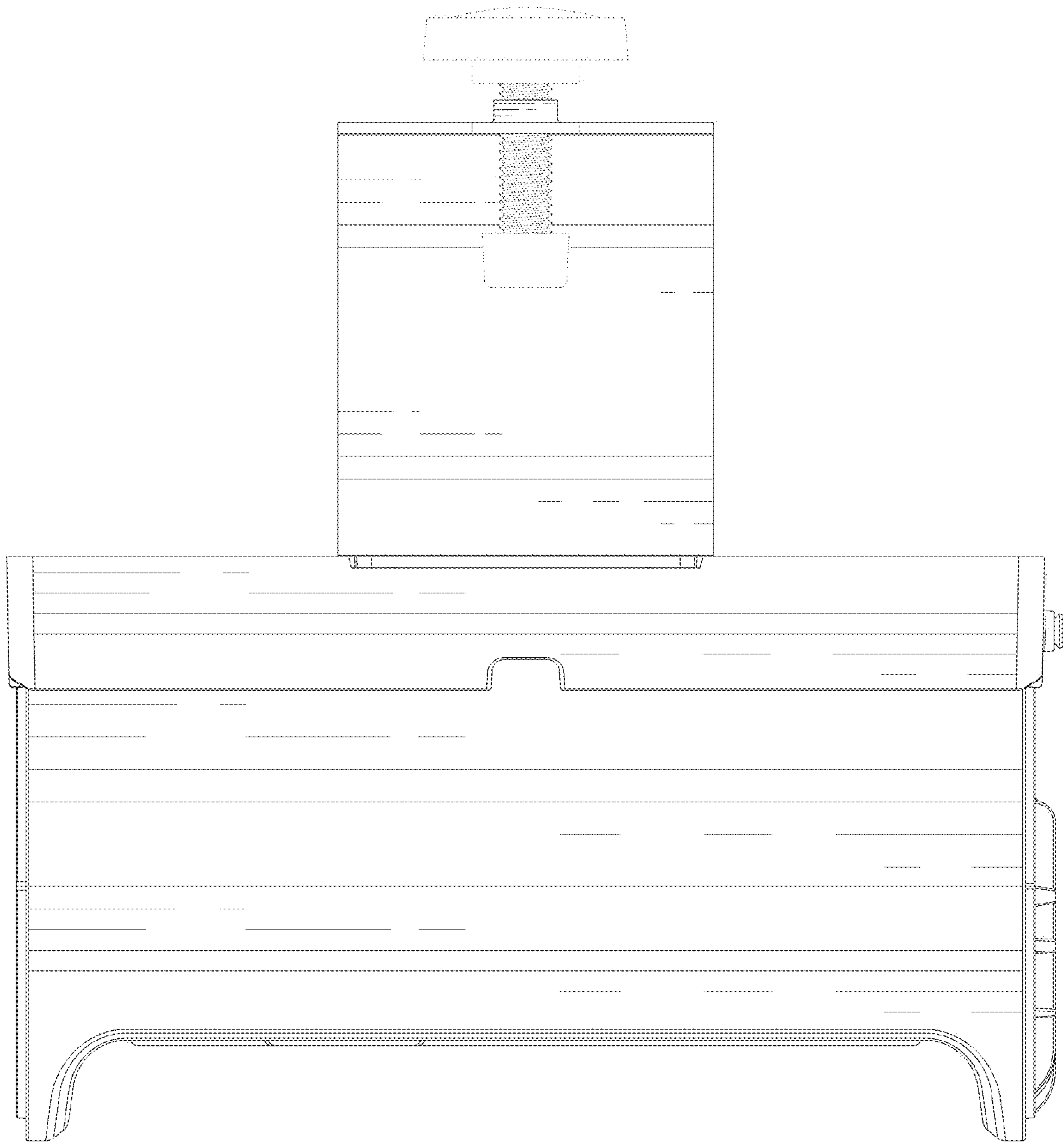


FIG. 7

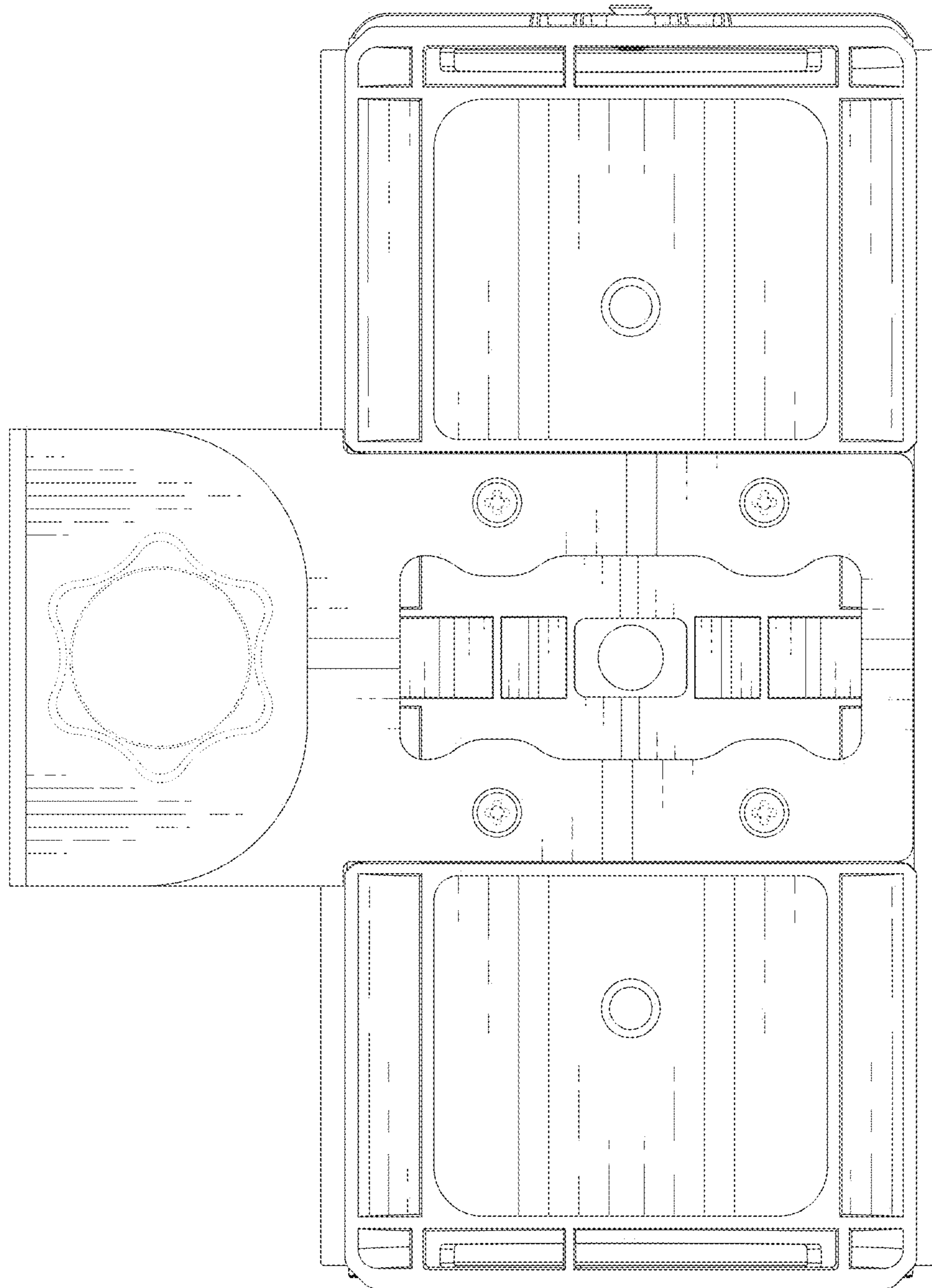


FIG. 8

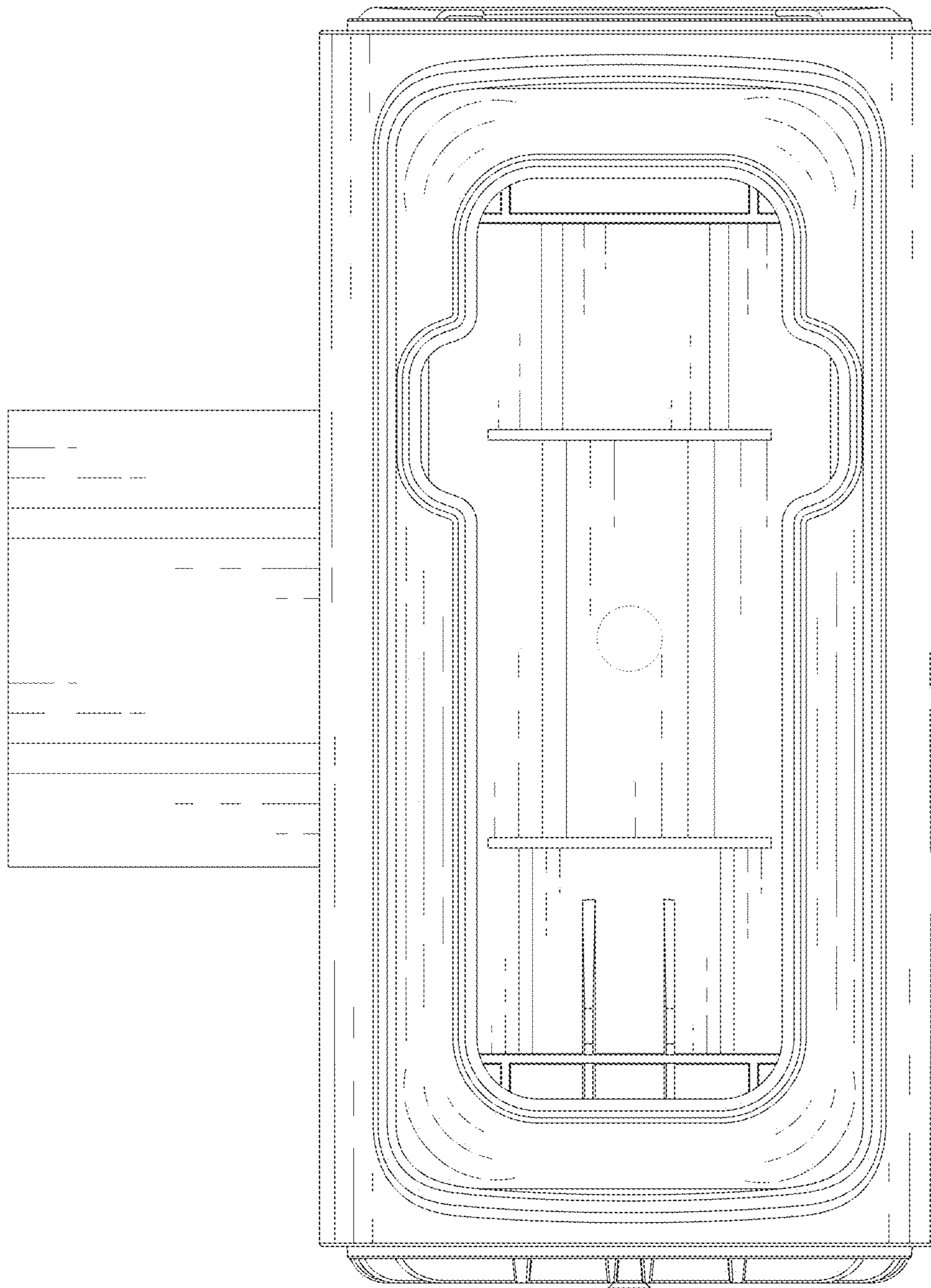


FIG. 9