



US00D981260S

(12) **United States Design Patent**
Kong et al.

(10) **Patent No.:** **US D981,260 S**
(45) **Date of Patent:** **** Mar. 21, 2023**

(54) **MANOMETER**

FOREIGN PATENT DOCUMENTS

(71) Applicant: **Fieldpiece Instruments, Inc.**, Orange, CA (US)

CN 302488462 * 11/2012
CN 304503877 * 4/2017

(Continued)

(72) Inventors: **Kennedy Srun Kong**, Orange, CA (US); **Jason Corbett Gilley**, Orange, CA (US)

OTHER PUBLICATIONS

(73) Assignee: **Fieldpiece Instruments, Inc.**, Orange, CA (US)

Fieldpiece, JL3MN Job Link Manometer Probe, Date first available Apr. 15, 2020, [online]retrieved May 19, 2022,available from [https://www.amazon.com/Fieldpiece-JL3MN-Link-Manometer-Probe/dp/B0874X6TQD/ref=sr_1_6?crid=22A2R5PA7ZZWZ&keywords=Fieldpiece+manometer&qid=1652972047&sprefix=fieldpiece+manometer \(Year: 2020\).](https://www.amazon.com/Fieldpiece-JL3MN-Link-Manometer-Probe/dp/B0874X6TQD/ref=sr_1_6?crid=22A2R5PA7ZZWZ&keywords=Fieldpiece+manometer&qid=1652972047&sprefix=fieldpiece+manometer (Year: 2020).)*

(**) Term: **15 Years**

(Continued)

(21) Appl. No.: **29/724,269**

(22) Filed: **Feb. 13, 2020**

Primary Examiner — Keli L Hill

(51) **LOC (14) Cl.** **10-04**

Assistant Examiner — Sara S Sahneh

(52) **U.S. Cl.**
USPC **D10/86**

(74) *Attorney, Agent, or Firm* — Paul J. Backofen, Esq.

(58) **Field of Classification Search**
USPC D10/46, 81, 96–103, 61, 83–86
CPC G05B 19/048; G05B 19/042; G05B 2219/2614; F24F 11/52; F24F 11/56; F24F 11/30; F24F 11/62; F24F 11/64; F24F 2110/10; F24F 2110/20; F25B 2700/19; G01L 19/16; G01L 19/142; G01L 7/041; G01L 17/00; G01L 7/043; G01L 19/147; G01B 5/18; G01B 3/28

See application file for complete search history.

(57) **CLAIM**

The ornamental design for a manometer, as shown and described.

DESCRIPTION

(56) **References Cited**

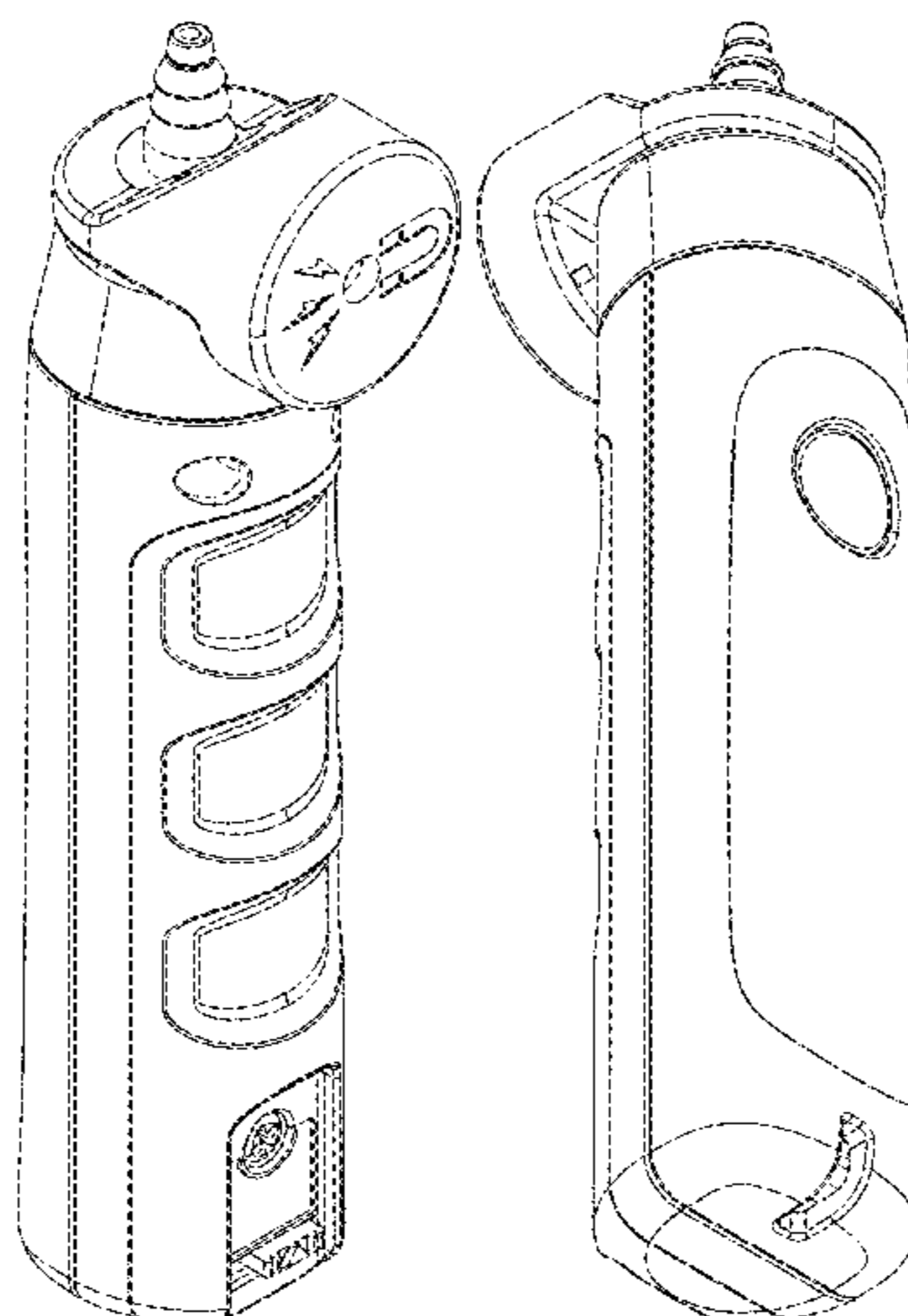
U.S. PATENT DOCUMENTS

D522,894 S *	6/2006	Stowers	D10/86
D603,733 S *	11/2009	Stowers	D10/86
D642,946 S *	8/2011	Chen	D10/86
D686,517 S *	7/2013	Chen	D10/86
D947,695 S *	4/2022	Beckwith	D10/86
2004/0088135 A1 *	5/2004	Fujioka	G01L 17/00 702/138
2004/0154403 A1 *	8/2004	Petrucelli	G01L 19/08 73/753
2004/0187567 A1 *	9/2004	Durr	G01L 17/00 73/146

(Continued)

FIG. 1 is a top-rear perspective view of a manometer showing our new design.
FIG. 2 is a bottom-front perspective view thereof.
FIG. 3 is a left side elevation view thereof.
FIG. 4 is a front elevation view thereof.
FIG. 5 is a right side elevation view thereof.
FIG. 6 is a rear elevation view thereof.
FIG. 7 is a top plan view thereof.
FIG. 8 is a bottom plan view thereof; and,
FIG. 9 is a bottom-rear perspective view thereof.
Broken lines in the attached drawings are included for the purpose of illustrating portions of the manometer and form no part of the claimed design.

1 Claim, 3 Drawing Sheets



(56)

References Cited

U.S. PATENT DOCUMENTS

2005/0138999 A1* 6/2005 Petrucelli G01L 17/00
73/146
2009/0107229 A1* 4/2009 Bucknell B25B 27/0057
73/146.8
2010/0307232 A1* 12/2010 Petrucelli G01L 17/00
73/146.8
2014/0286796 A1* 9/2014 Wang G01D 13/22
417/63
2019/0120514 A1* 4/2019 Gilley G05B 19/048

FOREIGN PATENT DOCUMENTS

CN 304793358 * 4/2018
CN 306373948 * 9/2020
CN 307071077 * 9/2021
EM 008981443-0001 * 4/2022

OTHER PUBLICATIONS

Fieldpiece ,Wireless Vacuum Gauge, Date first available Jul. 14, 2021, [online]retrieved May 19, 2022,available from https://www.amazon.com/Fieldpiece-MG44-Wireless-Vacuum-Gauge/dp/B099F3CNQW/ref=sr_1_8?crid=1XICRQ3FUY8P&keywords=vacuum+gauge&qid=1652972388&sprefix=vacume+gauge%2Caps%2C57&sr=8-8 (Year: 2021).*

* cited by examiner

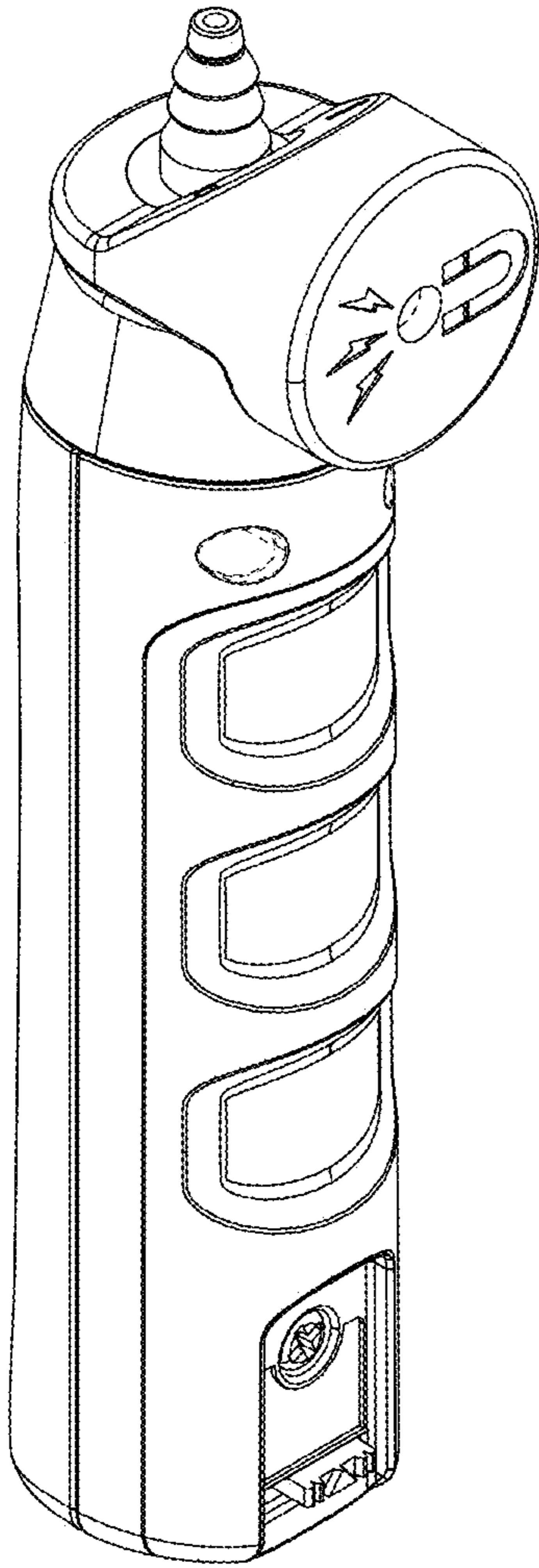


Fig. 1

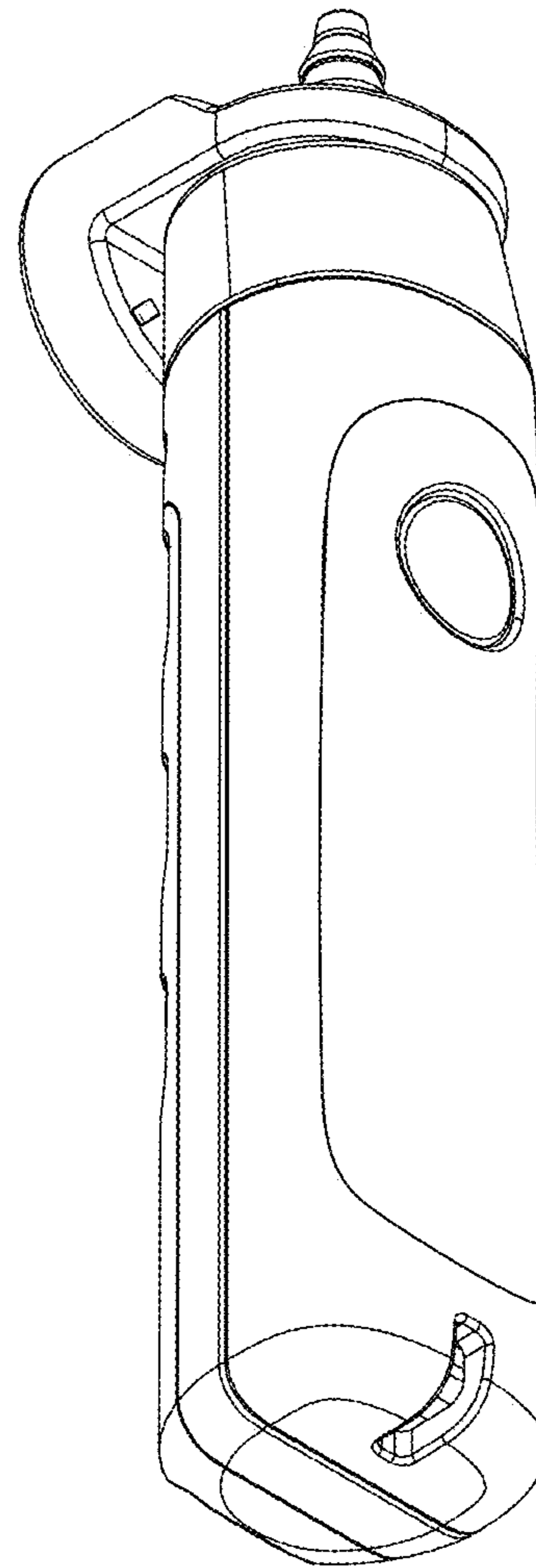


Fig. 2

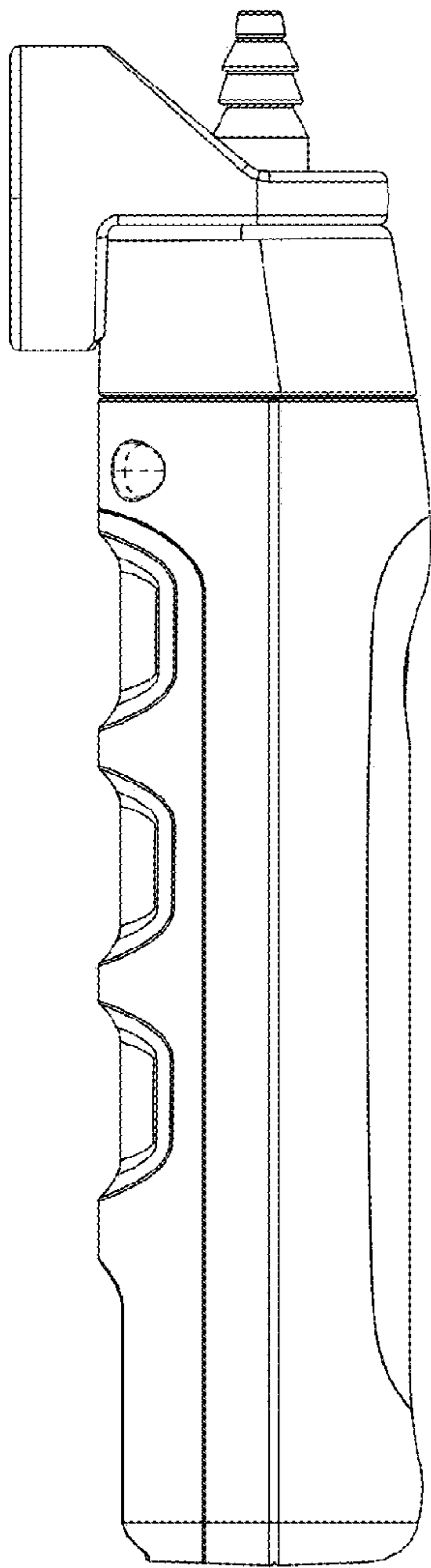


Fig. 3

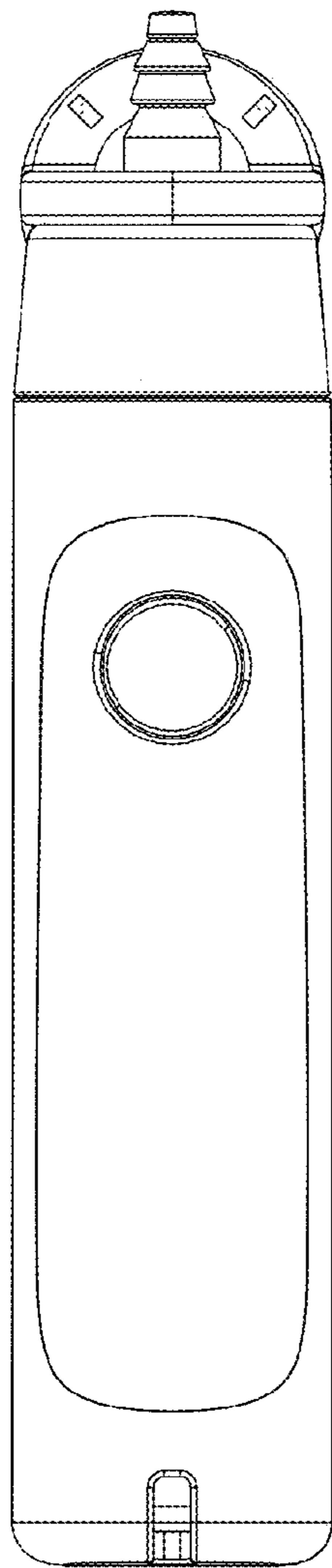


Fig. 4

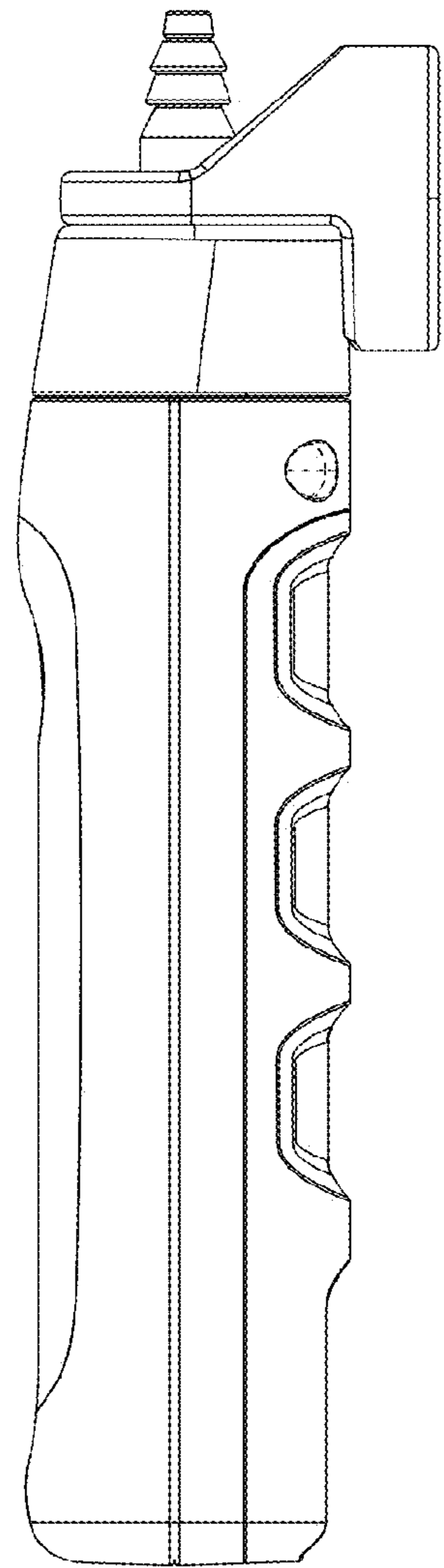


Fig. 5

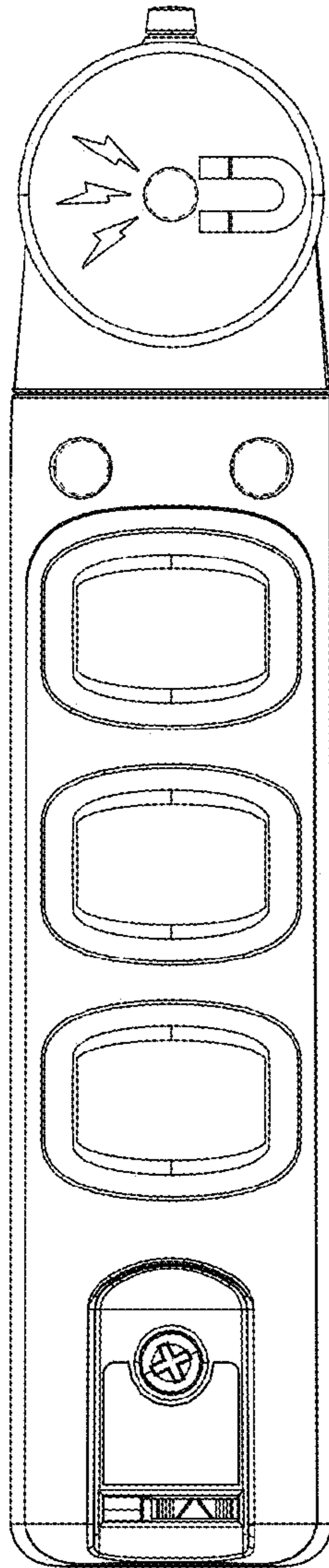


Fig. 6

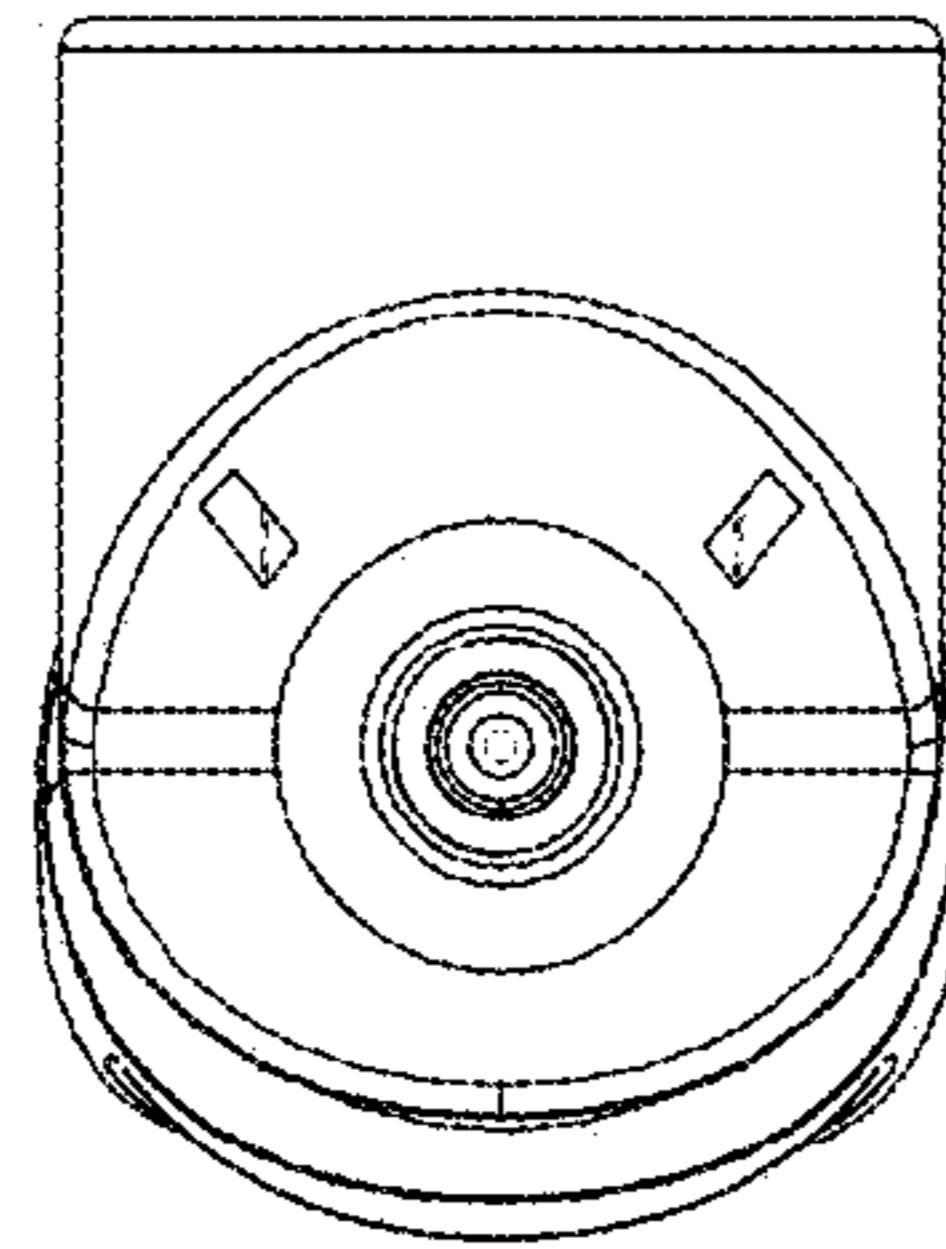


Fig. 7

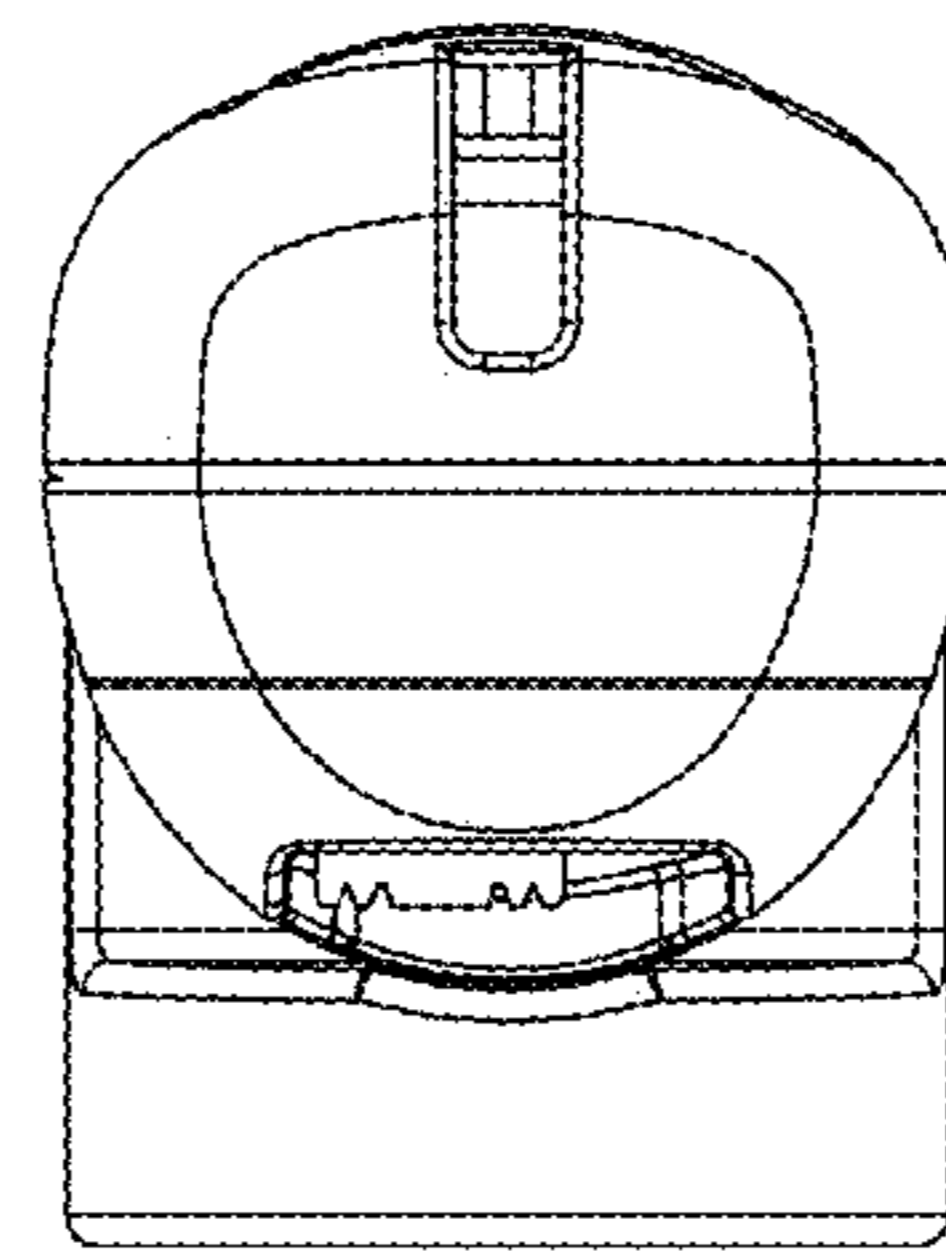


Fig. 8

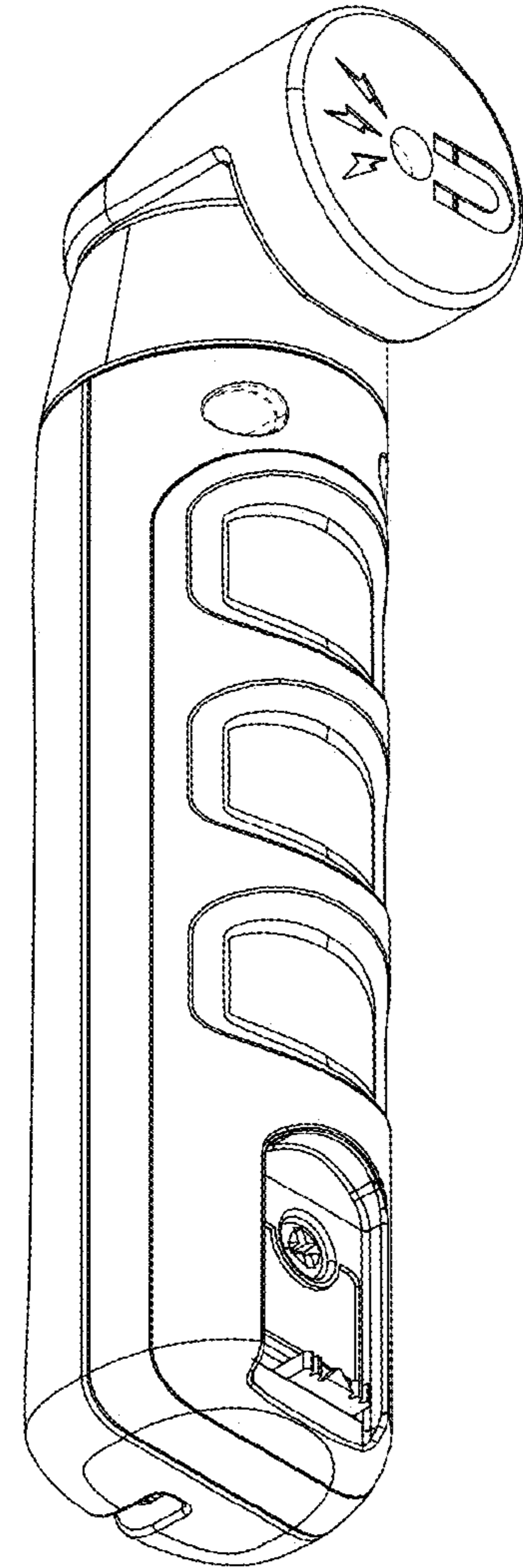


Fig. 9