



US00D981259S

(12) **United States Design Patent**
Barlow et al.

(10) **Patent No.:** **US D981,259 S**
(45) **Date of Patent:** **** Mar. 21, 2023**

(54) **FRAMING SQUARE**

(71) Applicants: **Patrick L. Barlow**, St. George, UT
(US); **Terry Peterson**, St. George, UT
(US)

(72) Inventors: **Patrick L. Barlow**, St. George, UT
(US); **Terry Peterson**, St. George, UT
(US)

(**) Term: **15 Years**

(21) Appl. No.: **29/783,462**

(22) Filed: **May 13, 2021**

(51) **LOC (14) Cl.** **10-04**

(52) **U.S. Cl.**
USPC **D10/65**

(58) **Field of Classification Search**
USPC D10/65
CPC B43L 7/0275; G01B 3/566
See application file for complete search history.

6,868,616 B2 * 3/2005 Allemand E04D 15/025
33/476

D511,698 S * 11/2005 Allemand D10/65

D587,606 S * 3/2009 McMasters D10/65

D657,701 S * 4/2012 Martinez D10/65

D710,221 S * 8/2014 Buzzell D10/65

D717,675 S * 11/2014 Lin D10/65

9,429,424 B2 * 8/2016 Butler B43L 7/0275

D866,360 S * 11/2019 Mackey D10/65

D866,361 S * 11/2019 Draeger D10/65

D887,872 S * 6/2020 Mackey D10/65

D928,636 S * 8/2021 Wojciechowski E04D 15/025
D10/65

* cited by examiner

Primary Examiner — Antoine Duval Davis
(74) *Attorney, Agent, or Firm* — Ezra Sutton; Anthony Morano

(57) **CLAIM**

The ornamental design for a framing square, as shown and described.

DESCRIPTION

FIG. 1 is a top plan view of a framing square embodying my new design;

FIG. 2 is a bottom plan view thereof;

FIG. 3 is a left side elevational view thereof;

FIG. 4 is a right side elevational view thereof;

FIG. 5 is a front elevational view thereof; and,

FIG. 6 is a rear elevational view thereof.

The broken lines shown in the drawings are for illustrative purposes only and form no part of the claimed design.

1 Claim, 4 Drawing Sheets

(56) **References Cited**

U.S. PATENT DOCUMENTS

D364,574 S * 11/1995 Utz D10/65

D369,981 S * 5/1996 Hayes D10/65

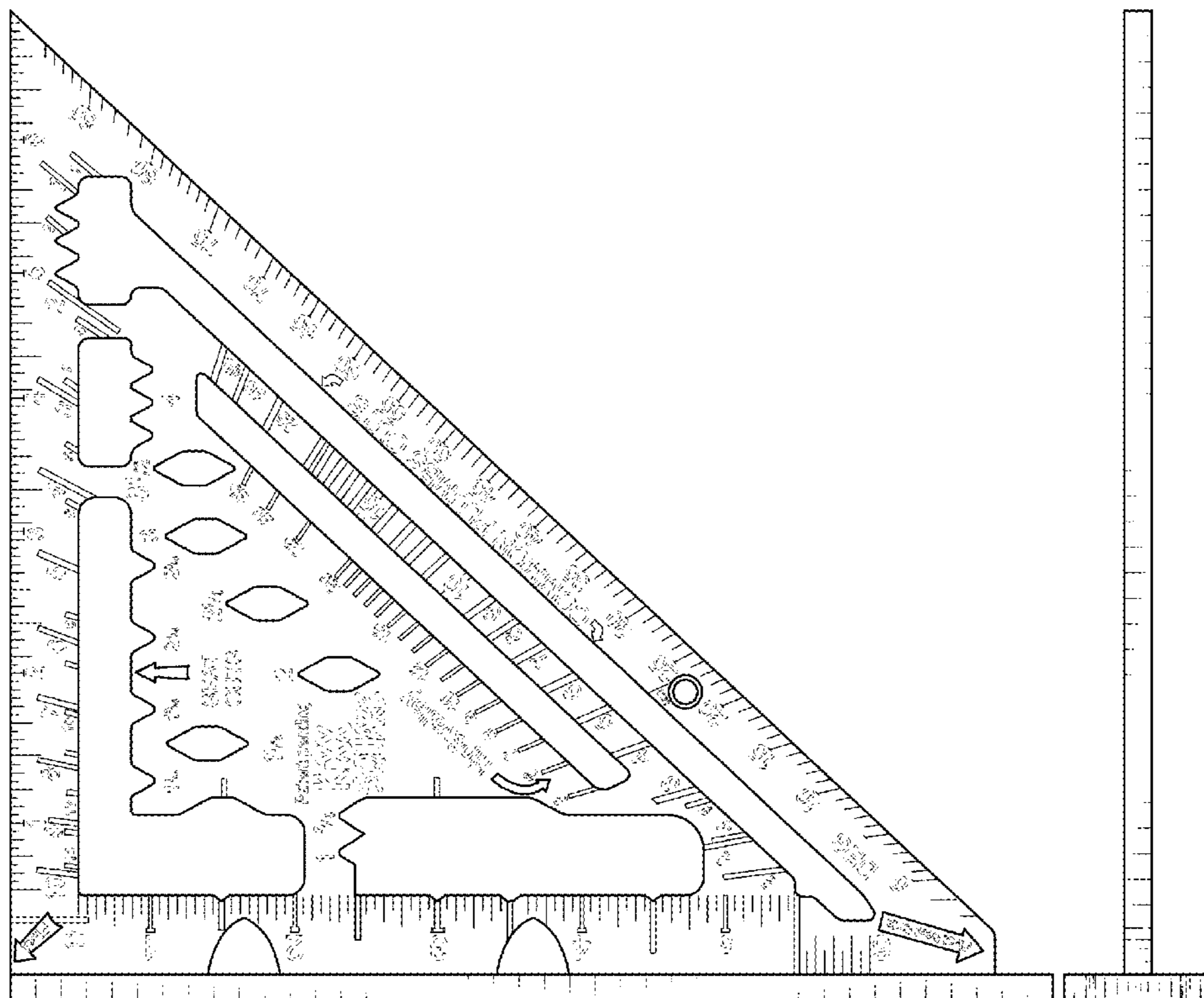
D416,501 S * 11/1999 DiGangi D10/65

D445,700 S * 7/2001 Mapston D10/65

D454,080 S * 3/2002 Aguilar B43L 7/0275
D10/65

D465,424 S * 11/2002 Allemand D10/65

D488,730 S * 4/2004 Pena D10/65



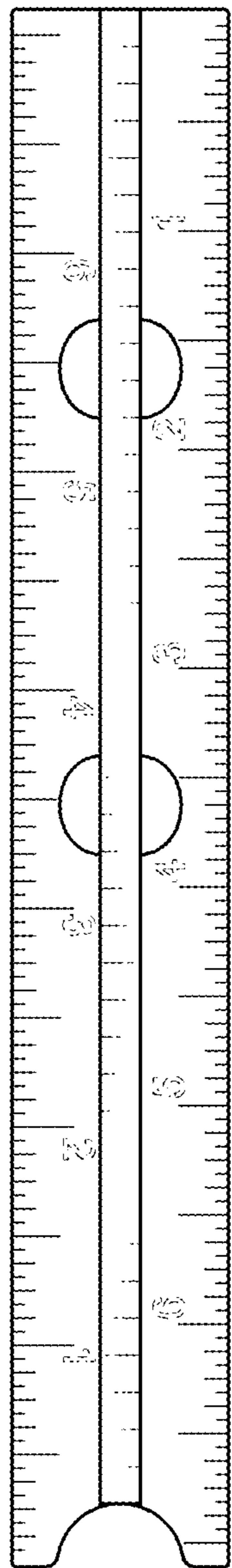


FIG. 1

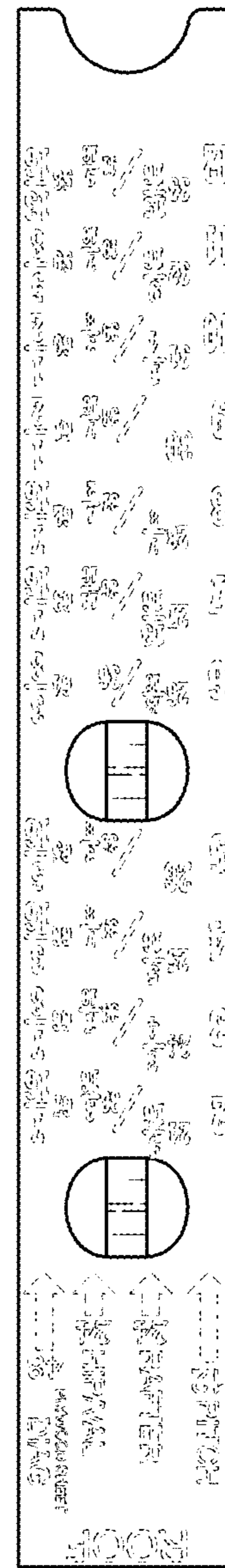


FIG. 2

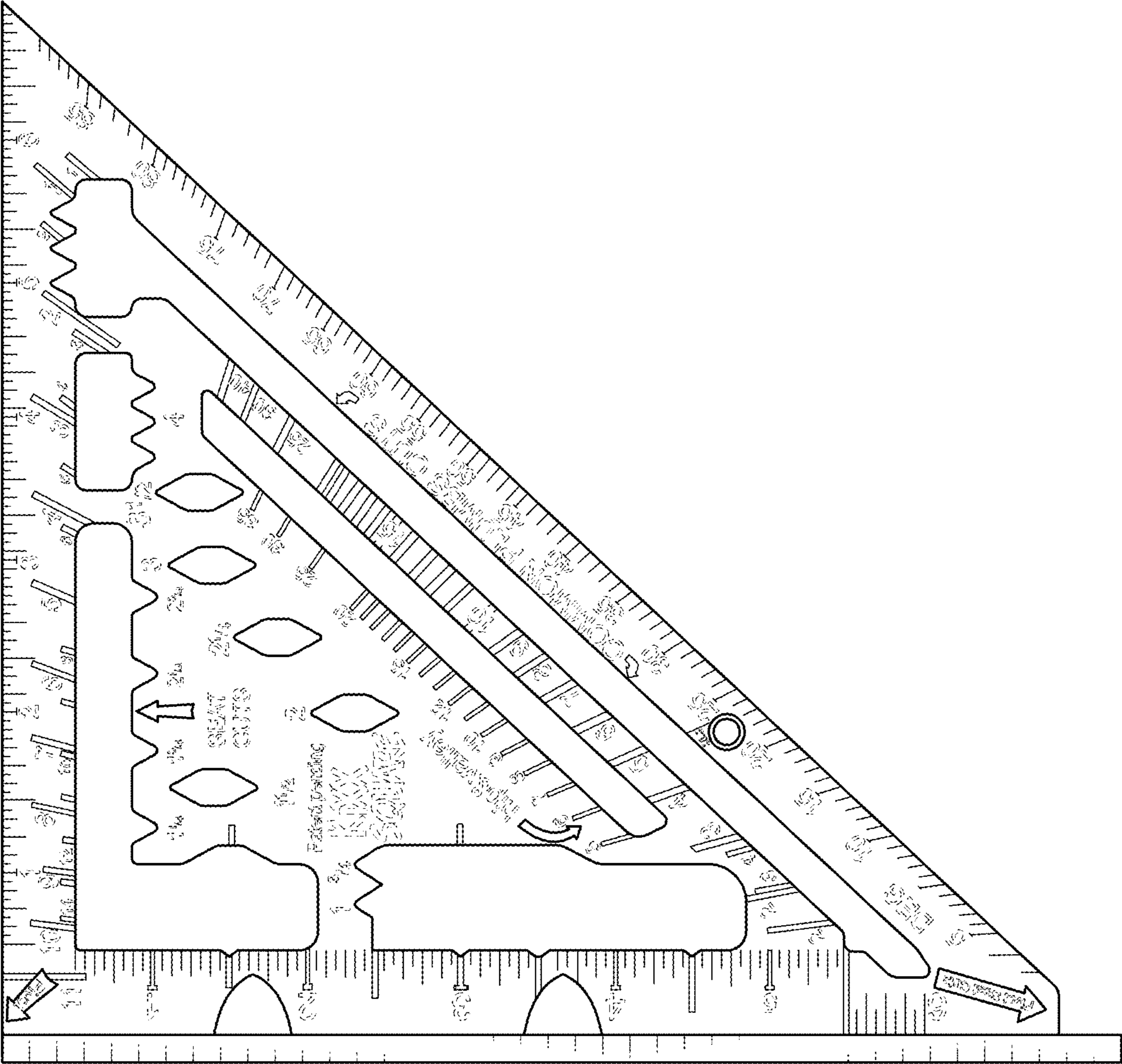


FIG. 3

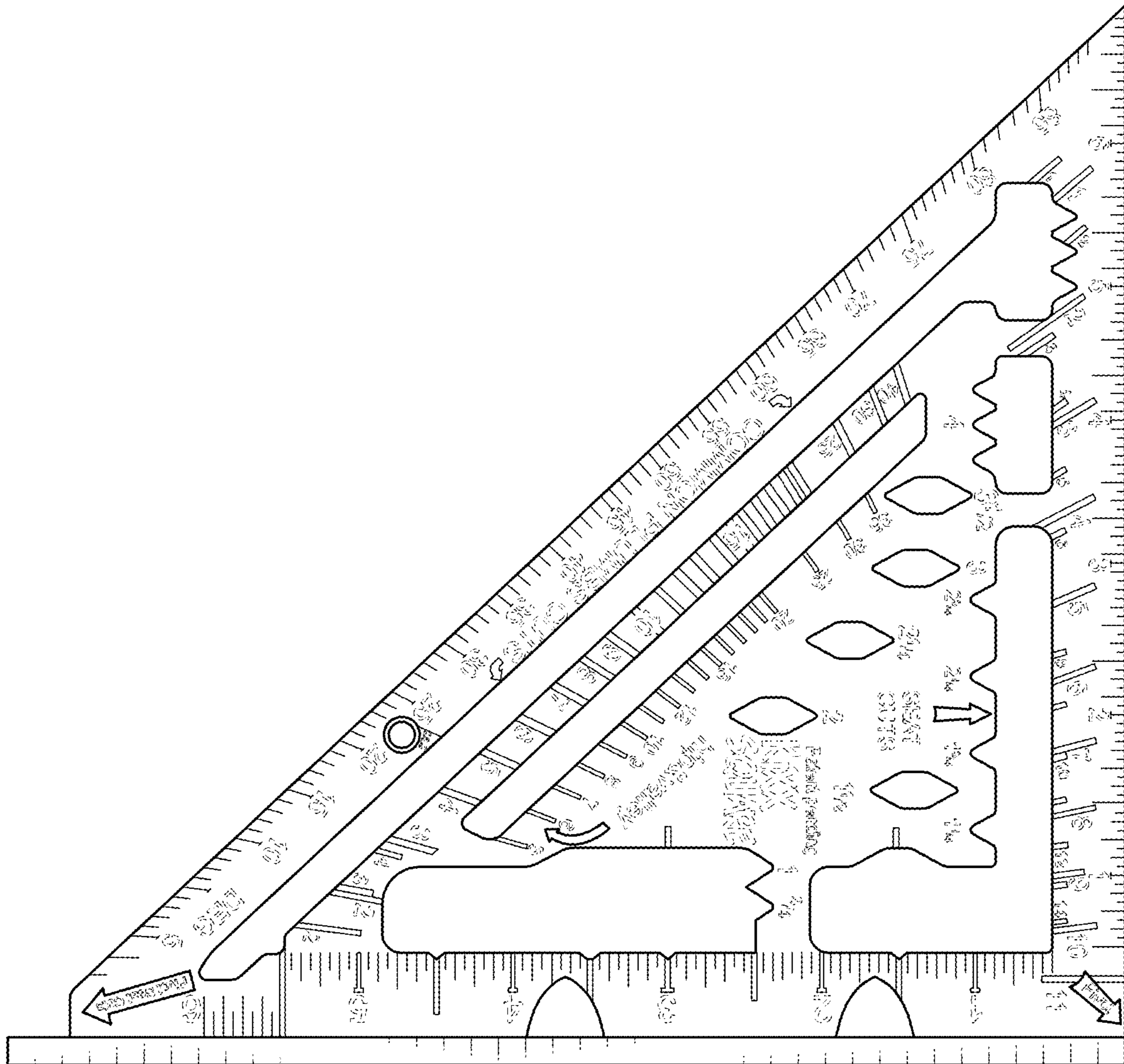


FIG. 4

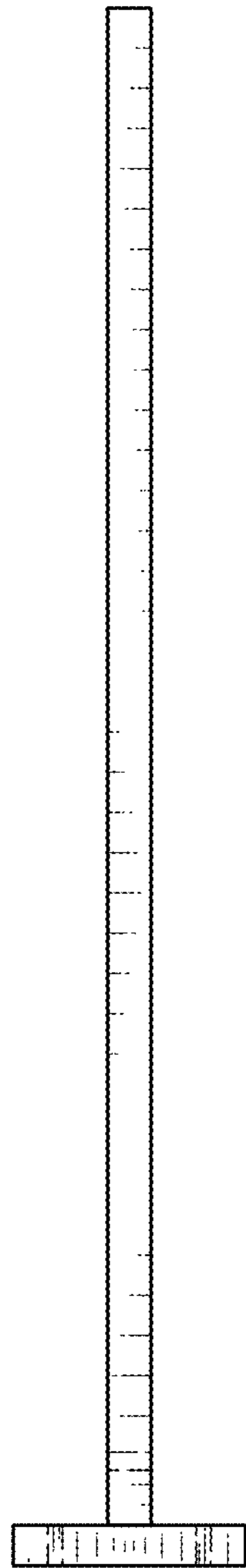


FIG. 5

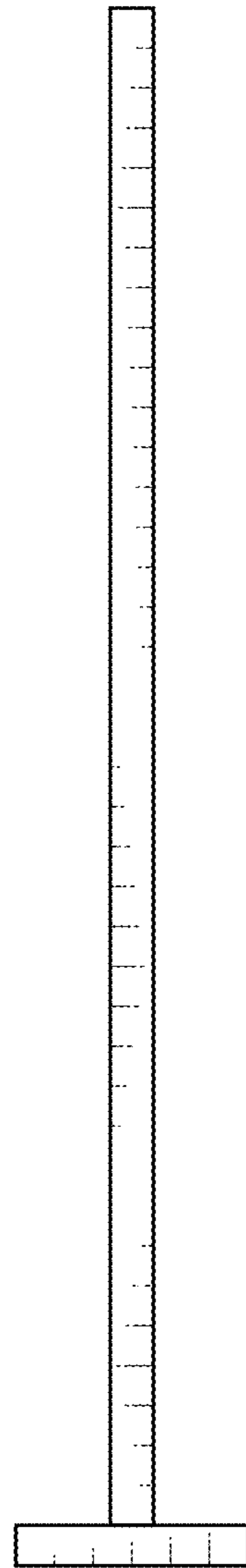


FIG. 6