



US00D981258S

(12) **United States Design Patent**  
**Wollenburg**

(10) **Patent No.:** **US D981,258 S**  
(45) **Date of Patent:** **\*\* Mar. 21, 2023**

- (54) **CLAMPING SQUARE**
- (71) Applicant: **Woodpeckers, LLC**, Strongsville, OH (US)
- (72) Inventor: **Benjamin T. Wollenburg**, North Olmsted, OH (US)
- (73) Assignee: **WOODPECKERS, LLC**, Strongsville, OH (US)

- D420,687 S \* 2/2000 Dragon ..... D10/65
  - D423,957 S \* 5/2000 Johnson ..... D10/65
  - 6,327,786 B1 \* 12/2001 Felix ..... B25H 7/00  
33/474
  - D472,825 S \* 4/2003 Davis ..... D10/64
  - 6,729,033 B2 5/2004 Jevons et al.
  - 7,055,256 B2 \* 6/2006 Alecci ..... G01C 15/10  
33/392
  - D527,292 S \* 8/2006 Kuefler ..... D10/64
  - D576,059 S \* 9/2008 Vaughn ..... D10/65
- (Continued)

(\*\*) Term: **15 Years**

- (21) Appl. No.: **29/758,467**
- (22) Filed: **Nov. 16, 2020**
- (51) **LOC (14) Cl.** ..... **10-04**
- (52) **U.S. Cl.**  
USPC ..... **D10/65**
- (58) **Field of Classification Search**  
USPC ..... D10/61-65, 70-74; D18/34.9, 9;  
D24/140  
CPC ..... G01C 1/00; B25H 7/00; B43L 7/0275;  
B43L 7/027; B43L 13/002; B43L 7/10;  
B43L 10/028; B25F 1/00; B27G 5/02  
See application file for complete search history.

(56) **References Cited**

**U.S. PATENT DOCUMENTS**

- D222,291 S \* 10/1971 Seiersen ..... D10/64
- D226,226 S \* 1/1973 Hoagland ..... D10/65
- 3,747,217 A \* 7/1973 Middelbeek ..... B43L 7/04  
D10/62
- D233,183 S \* 10/1974 Cole ..... D18/34.9
- D266,250 S \* 9/1982 Gallagher ..... D10/64
- 5,077,910 A \* 1/1992 Smith ..... G01B 3/1084  
D10/65
- D333,103 S \* 2/1993 Douglas ..... D10/65
- D349,462 S \* 8/1994 Douglas ..... D10/65
- 5,720,114 A \* 2/1998 Guerin ..... B25H 7/00  
33/429
- D398,252 S \* 9/1998 Hagen ..... D10/65
- D416,210 S \* 11/1999 Johnson ..... D10/65

**OTHER PUBLICATIONS**

Steel Clamping Square, Woodpeckers Woodworking Tools, YouTube publication date Jul. 21, 2020, (online) URL: <https://www.youtube.com/watch?v=sk5Kjb8um5w> (Year: 2020).\*

*Primary Examiner* — George D. Kirschbaum  
*Assistant Examiner* — Antoinette Martine Suiter  
(74) *Attorney, Agent, or Firm* — Sand, Sebolt & Wernow Co., LPA

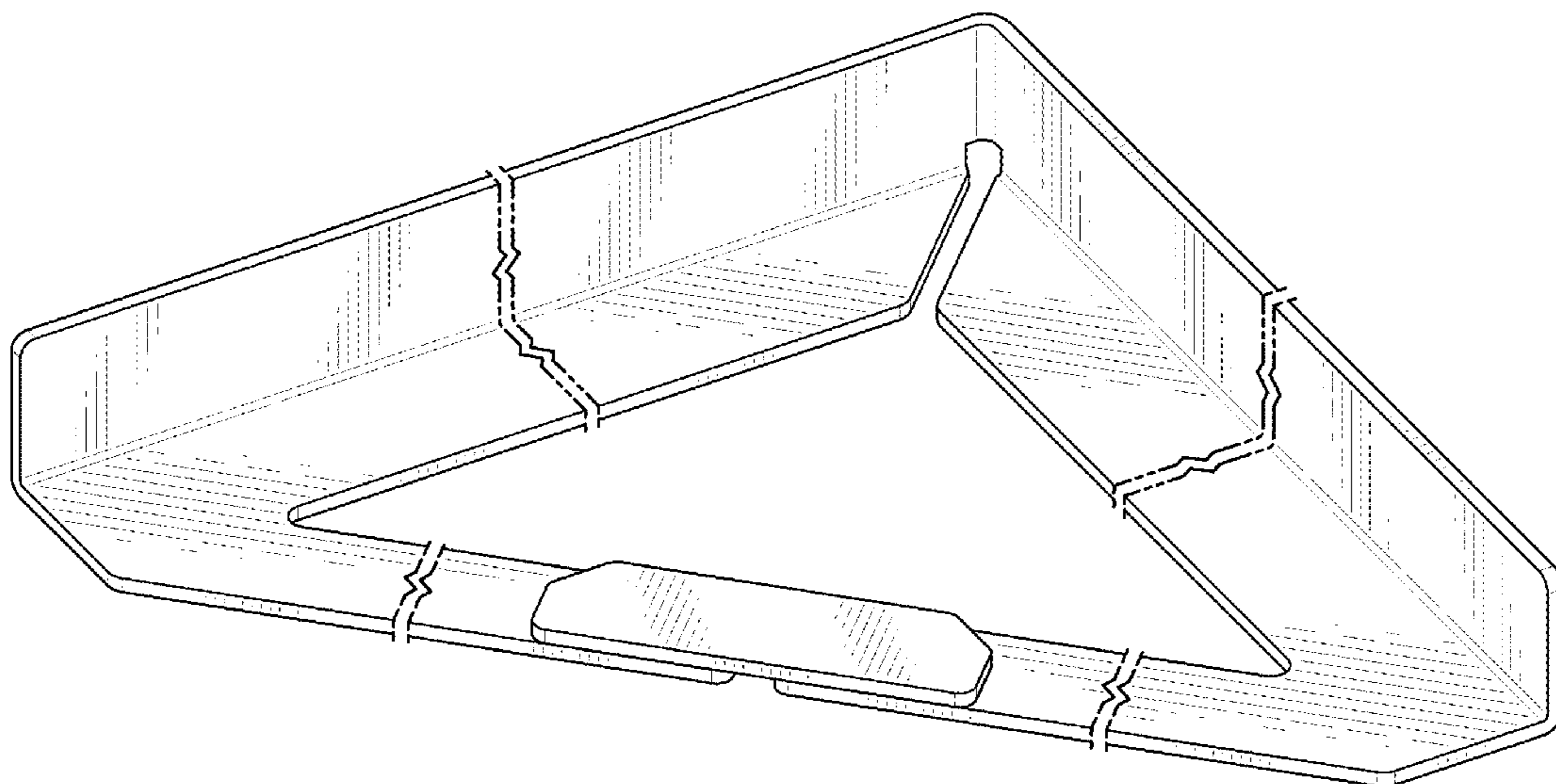
(57) **CLAIM**

The ornamental design for a clamping square, as shown and described.

**DESCRIPTION**

FIG. 1 is a top, front, isometric view of a clamping square in accordance with my design;  
FIG. 2 is a front elevation view thereof;  
FIG. 3 is a rear elevation view thereof;  
FIG. 4 is a left side elevation view thereof;  
FIG. 5 is a right side elevation view thereof;  
FIG. 6 is a top plan view thereof; and,  
FIG. 7 is a bottom plan view thereof.  
The claimed design is shown with a symbolic break in its length. The appearance of any portion of the clamping square between the dot-dot-dash break lines forms no part of the claimed design.

**1 Claim, 5 Drawing Sheets**



(56)

**References Cited**

U.S. PATENT DOCUMENTS

D653,975	S	*	2/2012	Anderson	.....	D10/74
8,146,260	B1	*	4/2012	Visser	.....	B43L 13/028 33/418
D730,760	S	*	6/2015	Weaver	.....	D10/65
D757,573	S	*	5/2016	Zinkosky, II	.....	D10/65
D790,371	S	*	6/2017	Zinkosky, II	.....	D10/65
D836,469	S	*	12/2018	Kim	.....	D10/70
D847,672	S	*	5/2019	Kennedy	.....	D10/64
D850,302	S	*	6/2019	Winans	.....	D10/65
D857,767	S	*	8/2019	Winans	.....	D10/64
10,669,729	B2	*	6/2020	Ebady	.....	E04G 21/1891
11,154,133	B2	*	10/2021	O'Halloran	.....	A47B 81/00
2004/0006880	A1	*	1/2004	Evans	.....	E04F 21/0076 33/460

\* cited by examiner

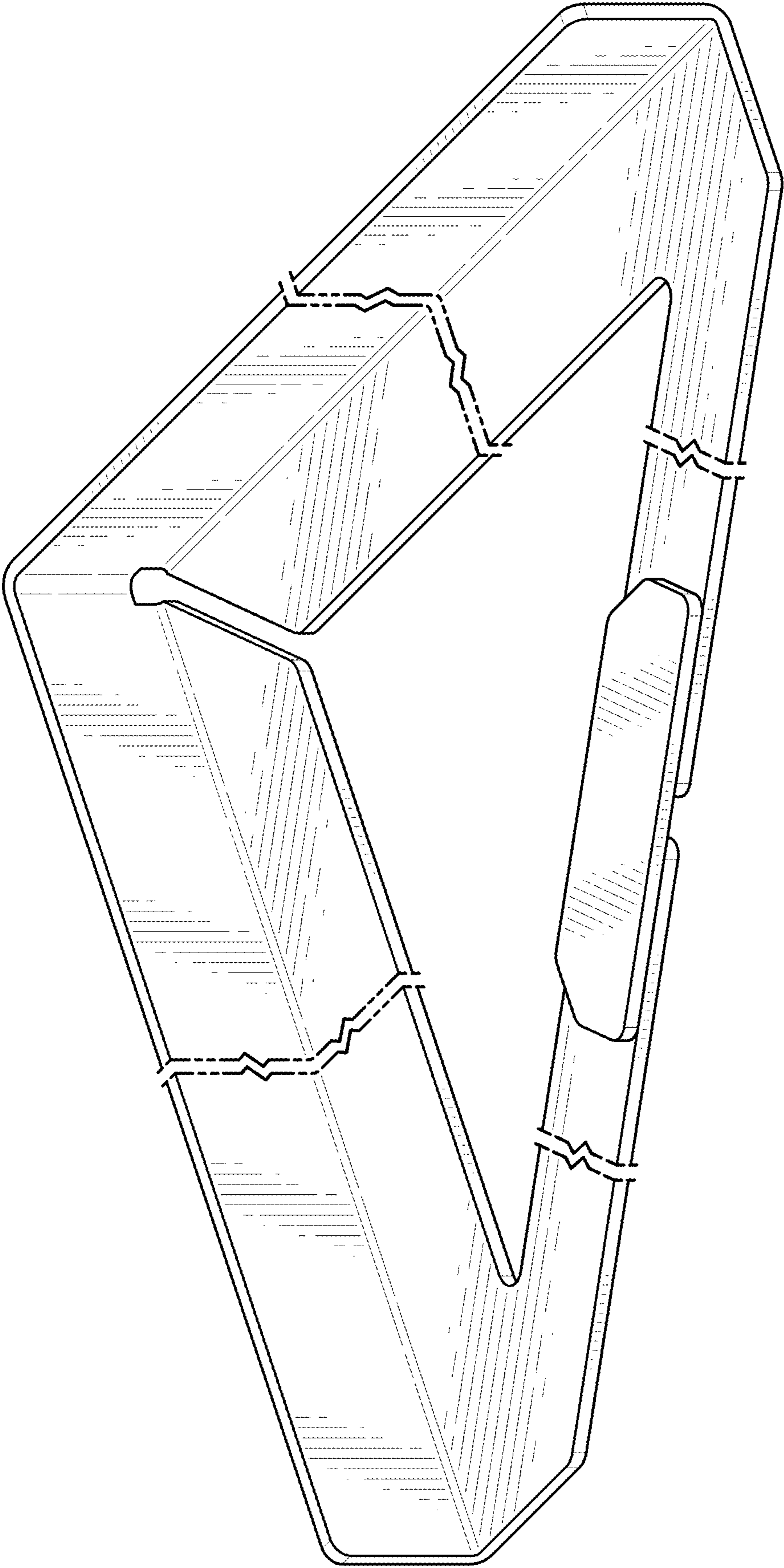


FIG. 1

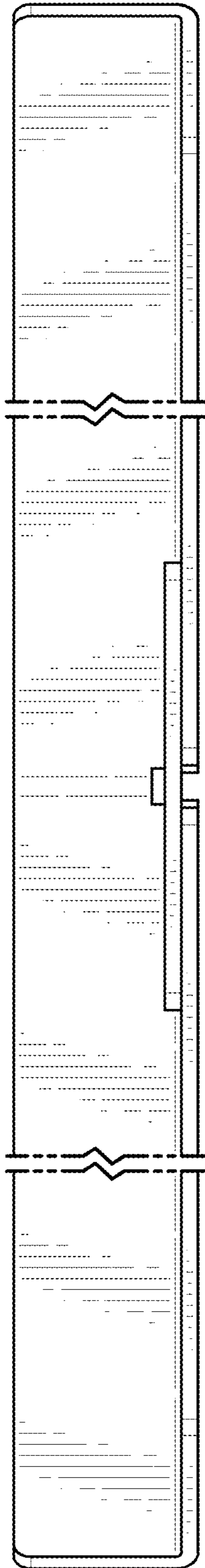


FIG. 2

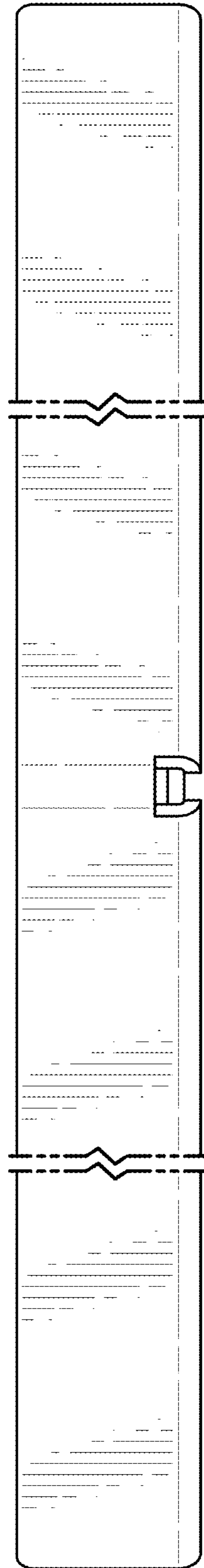


FIG. 3

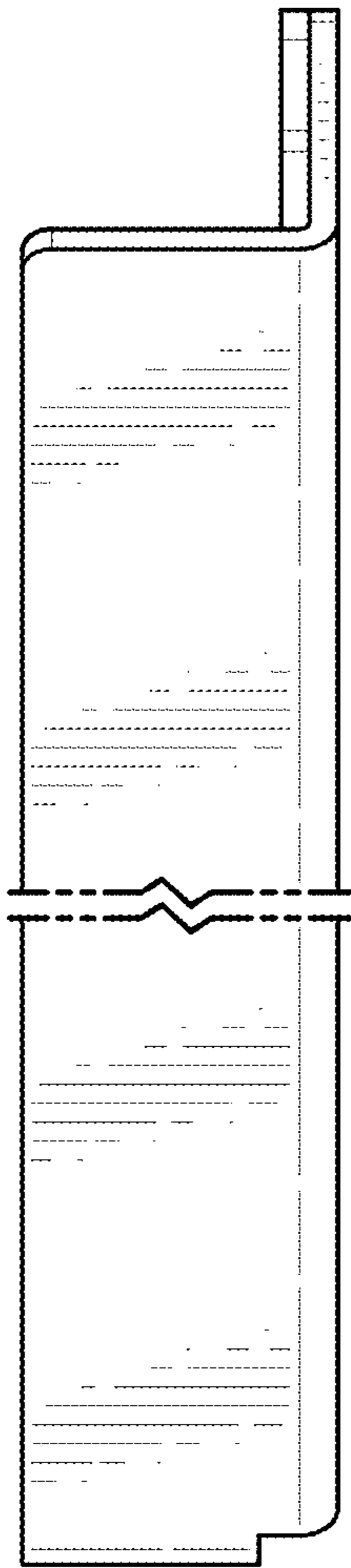


FIG. 4

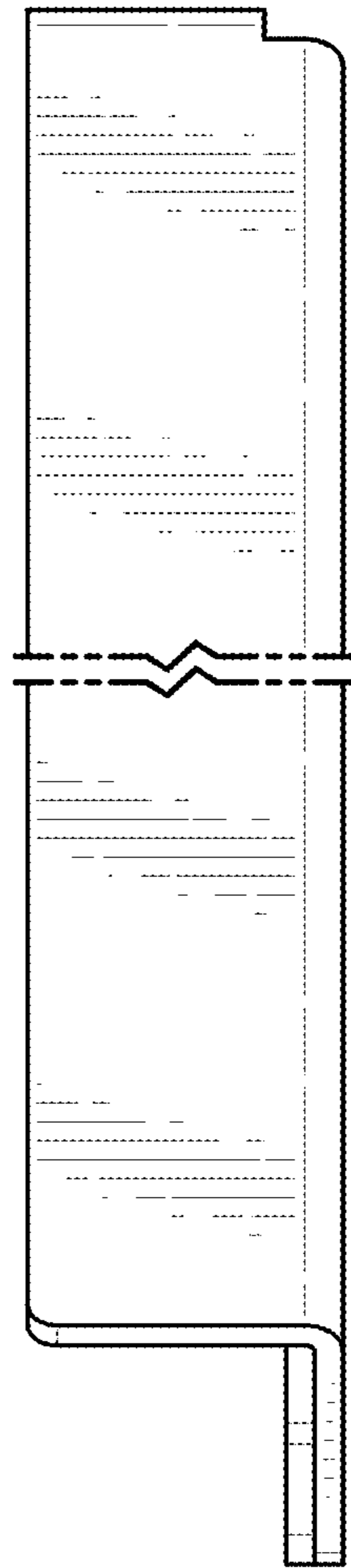


FIG. 5

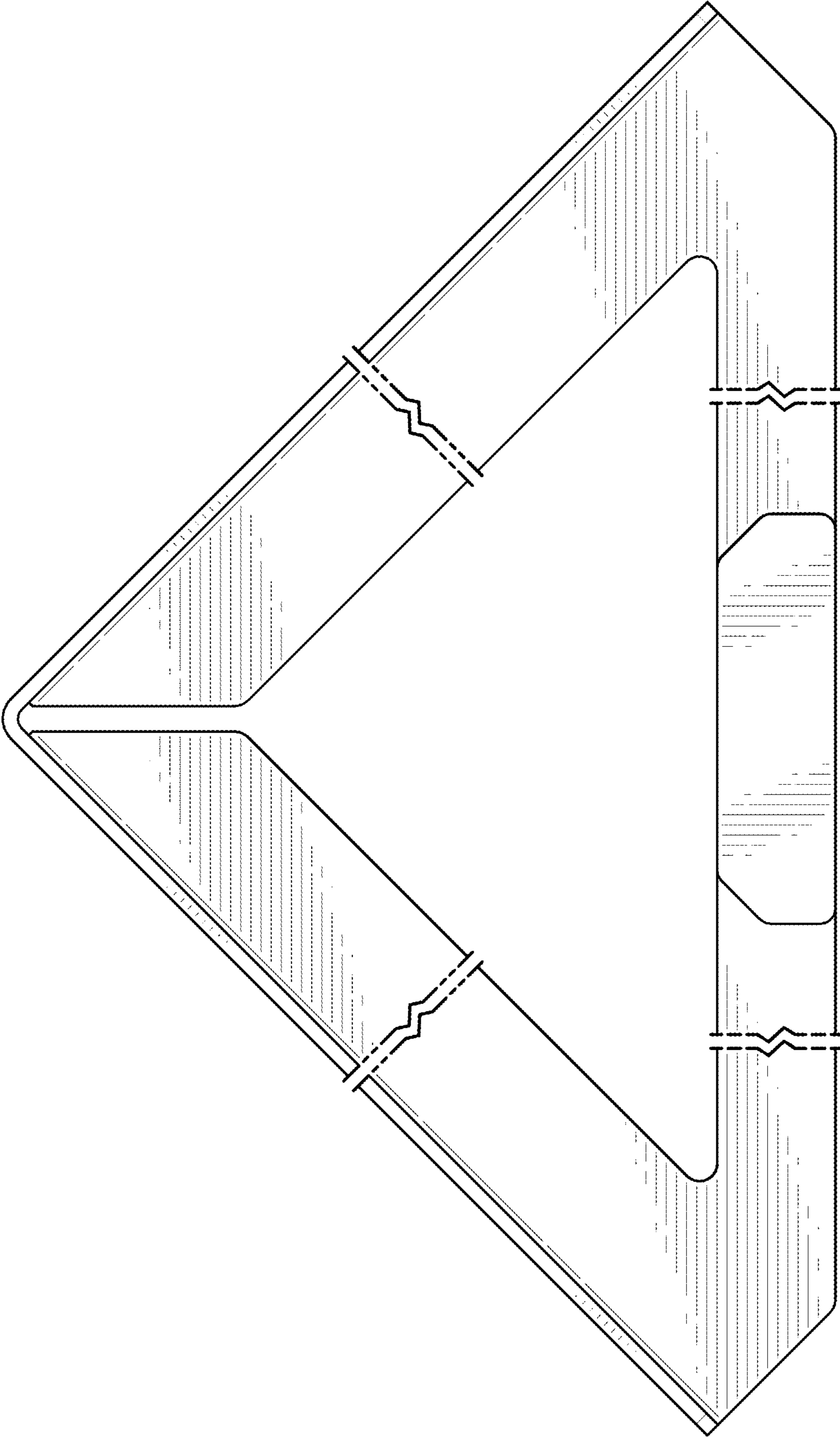


FIG. 6

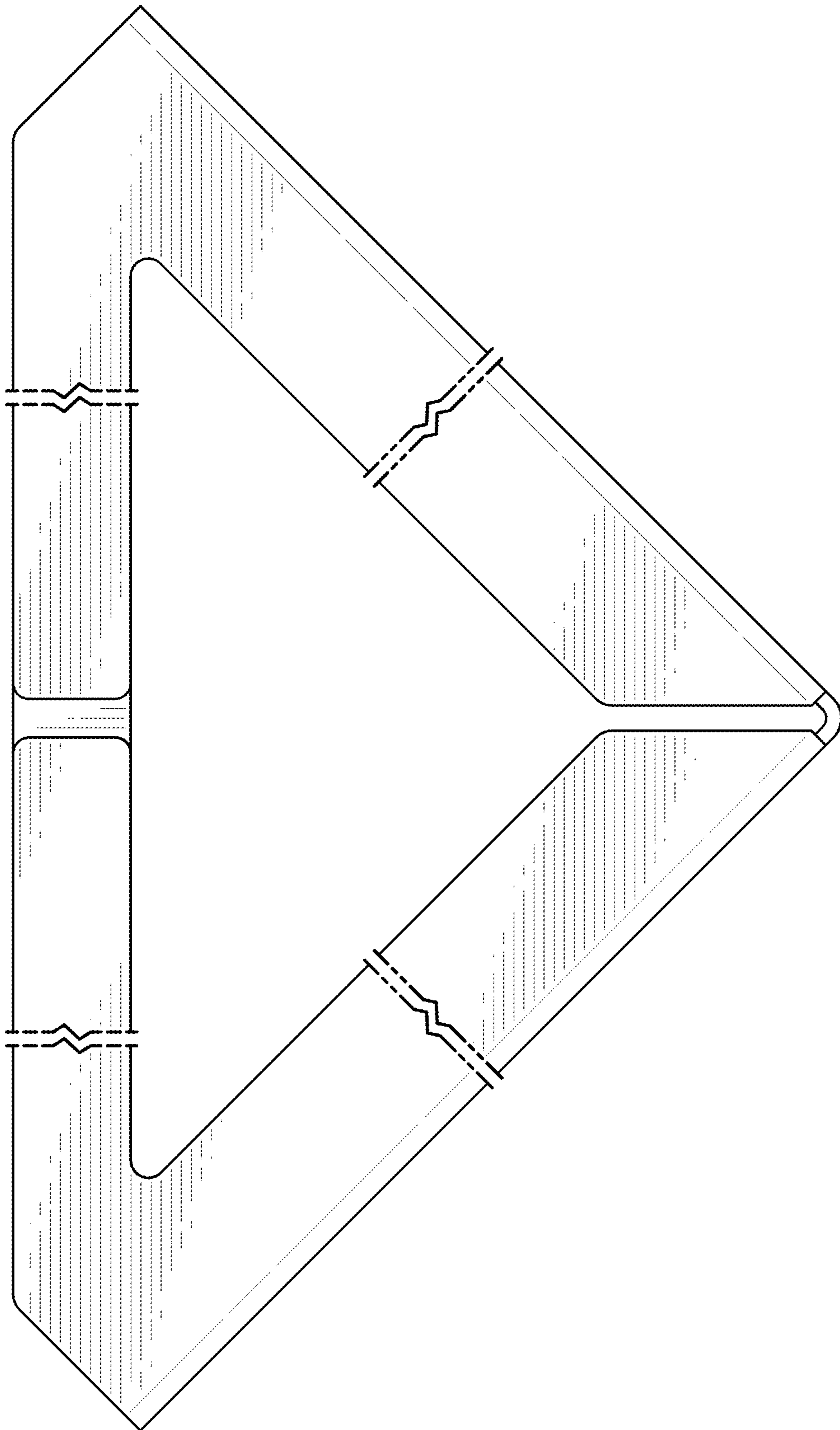


FIG. 7