



US00D981257S

(12) **United States Design Patent**
Xie et al.

(10) **Patent No.:** **US D981,257 S**
(45) **Date of Patent:** **** Mar. 21, 2023**

(54) **THERMOMETER**
(71) Applicant: **SHENZHEN YINGBOWEIYE TECHNOLOGY CO., LTD.**, Shenzhen (CN)
(72) Inventors: **Jinghua Xie**, Shenzhen (CN); **Jingru Xie**, Shenzhen (CN)
(73) Assignee: **SHENZHEN YINGBOWEIYE TECHNOLOGY CO., LTD.**, Shenzhen (CN)
(**) Term: **15 Years**

D683,634 S * 6/2013 Hayakawa D10/49
D693,311 S * 11/2013 Biller D13/162
D708,977 S * 7/2014 Corso D10/104.1
D724,462 S * 3/2015 Bould D10/106.2
D746,160 S * 12/2015 Vornbäumen D10/49
D773,948 S * 12/2016 Schneid D10/106.2
D773,949 S * 12/2016 Bolger D10/106.2
D780,605 S * 3/2017 Chen D10/49
D805,941 S * 12/2017 Jou D10/118.2
D809,942 S * 2/2018 Cool D10/49
D837,666 S * 1/2019 Butler D10/49
D843,239 S * 3/2019 Read D10/50
D849,570 S * 5/2019 Sakalowsky D10/52
D858,319 S * 9/2019 Liu D10/57
D865,556 S * 11/2019 Siminoff D10/106.1
D876,249 S * 2/2020 Bee D10/53
D879,634 S * 3/2020 Karbing D13/162

(Continued)

(21) Appl. No.: **29/845,213**
(22) Filed: **Jul. 6, 2022**
(51) **LOC (14) Cl.** **10-04**
(52) **U.S. Cl.**
USPC **D10/57**
(58) **Field of Classification Search**
USPC D10/60, 81, 106.1–106.3, 52, 15, 75,
D10/102, 49, 78; D13/133, 124;
D24/224, 223
CPC G01K 13/20; G01K 1/024; G01K 13/00;
G01K 7/18; G01K 1/065; G01K 13/02;
G01K 13/223; G01K 1/143; G01K 7/427;
G01K 15/002; G01K 7/00; G01K 5/00;
G01K 5/22; G01K 11/00; G01K 13/252;
G01K 13/10; G01K 2207/02; G01K
2207/08; G01K 1/045; G01K 17/00;
G01K 2219/00; G01K 2207/00
See application file for complete search history.

FOREIGN PATENT DOCUMENTS

EM 009082498-0001 * 7/2022
GB 6217969 * 8/2022

Primary Examiner — George D. Kirschbaum
Assistant Examiner — Antoinette Martine Suiter
(74) *Attorney, Agent, or Firm* — ScienBiziP, P.C.

(57) **CLAIM**

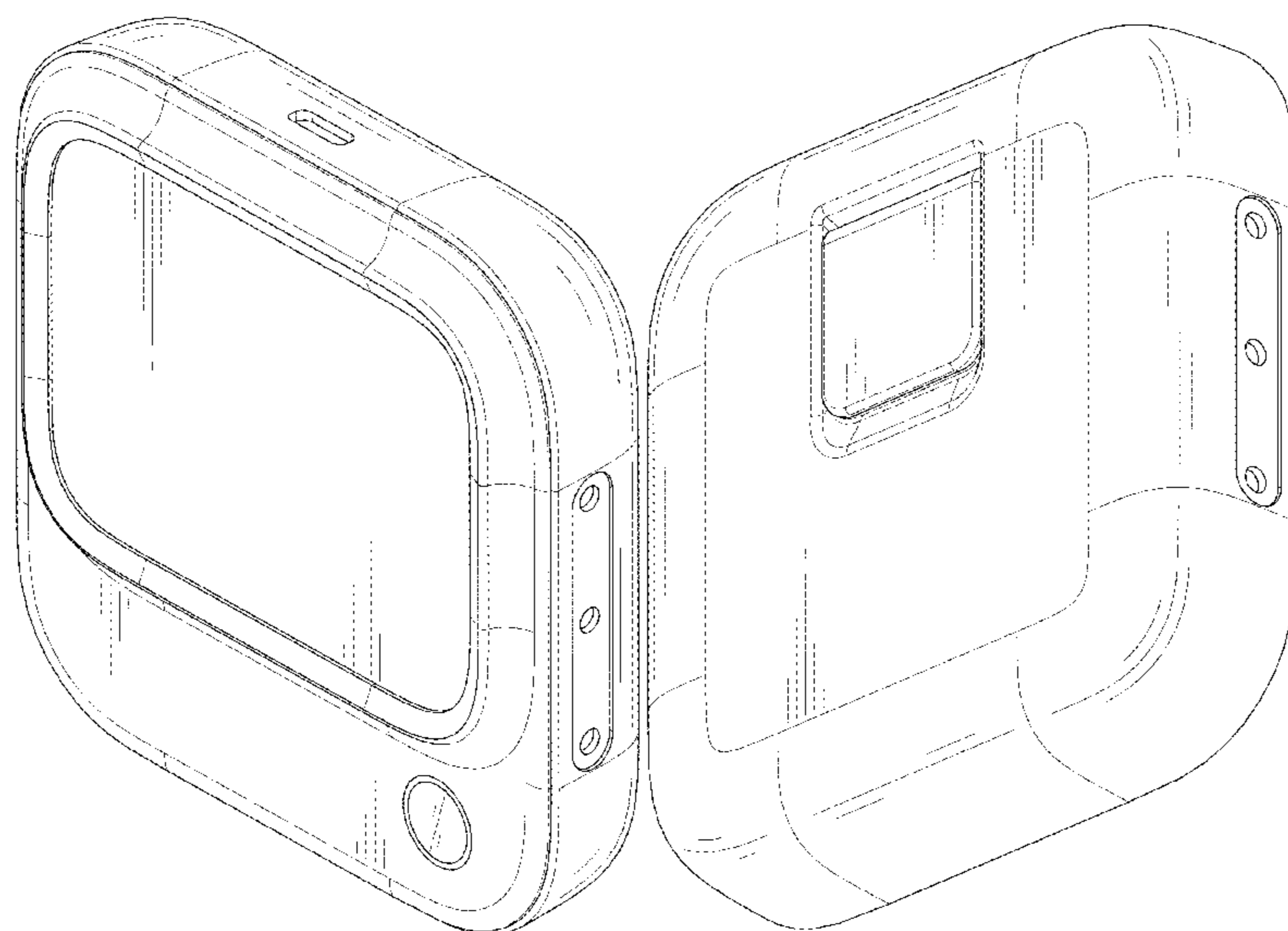
The ornamental design for a thermometer, as shown and described.

DESCRIPTION

FIG. 1 is a front, right and top perspective view of a thermometer, showing our design.
FIG. 2 is a rear, left and bottom perspective view thereof.
FIG. 3 is a front elevation view thereof.
FIG. 4 is a rear elevation view thereof.
FIG. 5 is a left side elevation view thereof.
FIG. 6 is a right side elevation view thereof.
FIG. 7 is a top plan view thereof; and,
FIG. 8 is a bottom plan view thereof.

1 Claim, 8 Drawing Sheets

(56) **References Cited**
U.S. PATENT DOCUMENTS
D255,101 S * 5/1980 Booty D10/15
D319,403 S * 8/1991 Tiedemann D10/49
D543,868 S * 6/2007 Bhavnani D10/2
D559,718 S * 1/2008 Schaeken D10/106.1



(56)

References Cited

U.S. PATENT DOCUMENTS

D888,589	S	*	6/2020	Menden	D10/49
D891,949	S	*	8/2020	Yi	D10/57
D894,022	S	*	8/2020	Guillien	D10/53
D899,947	S	*	10/2020	Liu	D10/52
D900,100	S	*	10/2020	Koo	D14/374
D902,062	S	*	11/2020	Dickman	D10/106.1
D912,532	S	*	3/2021	Yu	D10/15
D915,233	S	*	4/2021	Giessel	D10/104.1
D916,604	S	*	4/2021	Doherty	D10/57
D924,159	S	*	7/2021	Byrne	D13/133
D937,061	S	*	11/2021	Gong	D8/52
D937,103	S	*	11/2021	Park	D23/364
D938,285	S	*	12/2021	Bai	D10/2
D941,785	S	*	1/2022	Pan	D13/168
D947,044	S	*	3/2022	Wu	D10/57
D949,035	S	*	4/2022	Ye	D10/49
D952,477	S	*	5/2022	Gong	D10/52
D955,233	S	*	6/2022	Gong	D10/56
D956,596	S	*	7/2022	Siminoff	D10/106.1
D957,265	S	*	7/2022	Bai	D10/15

* cited by examiner

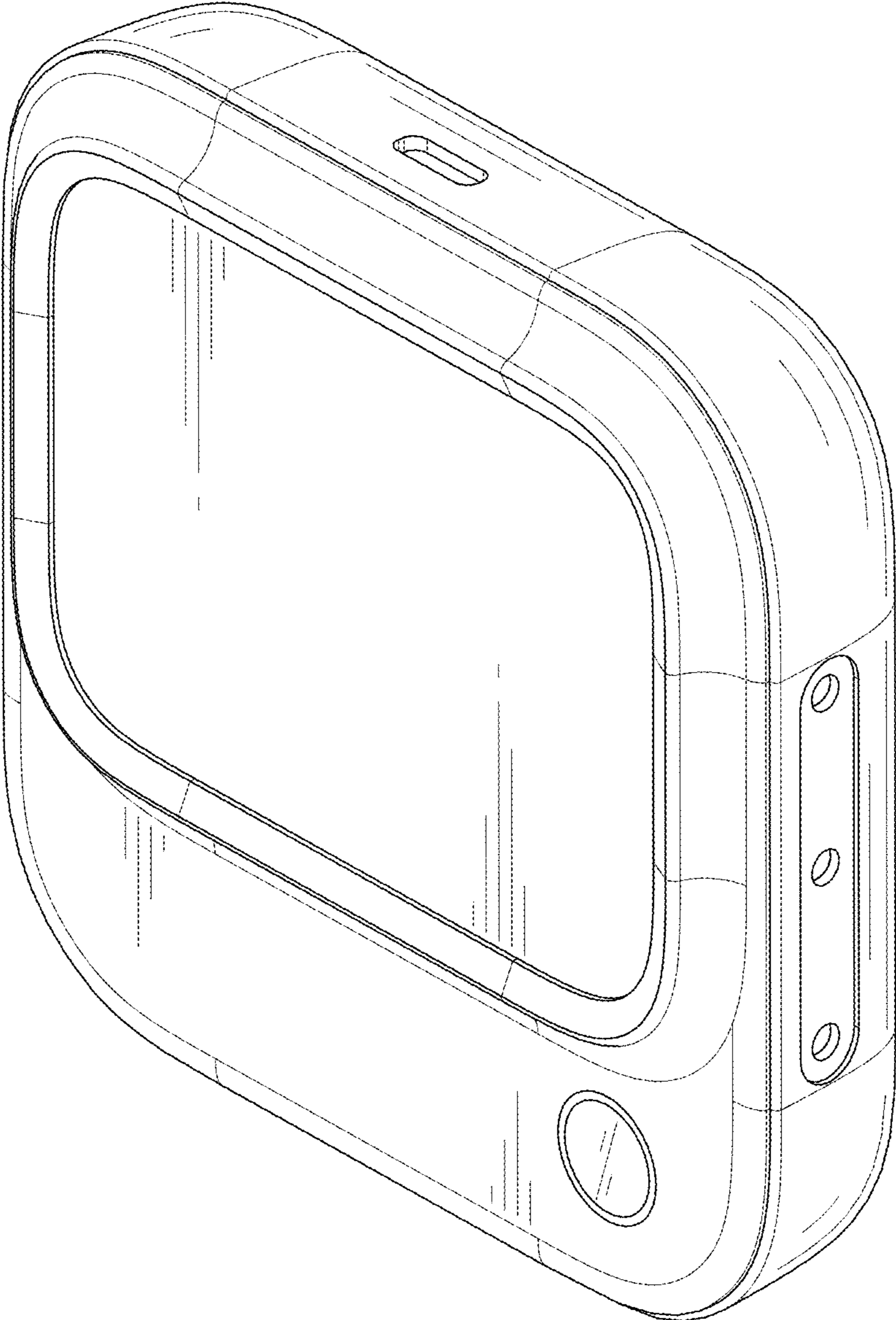


FIG. 1

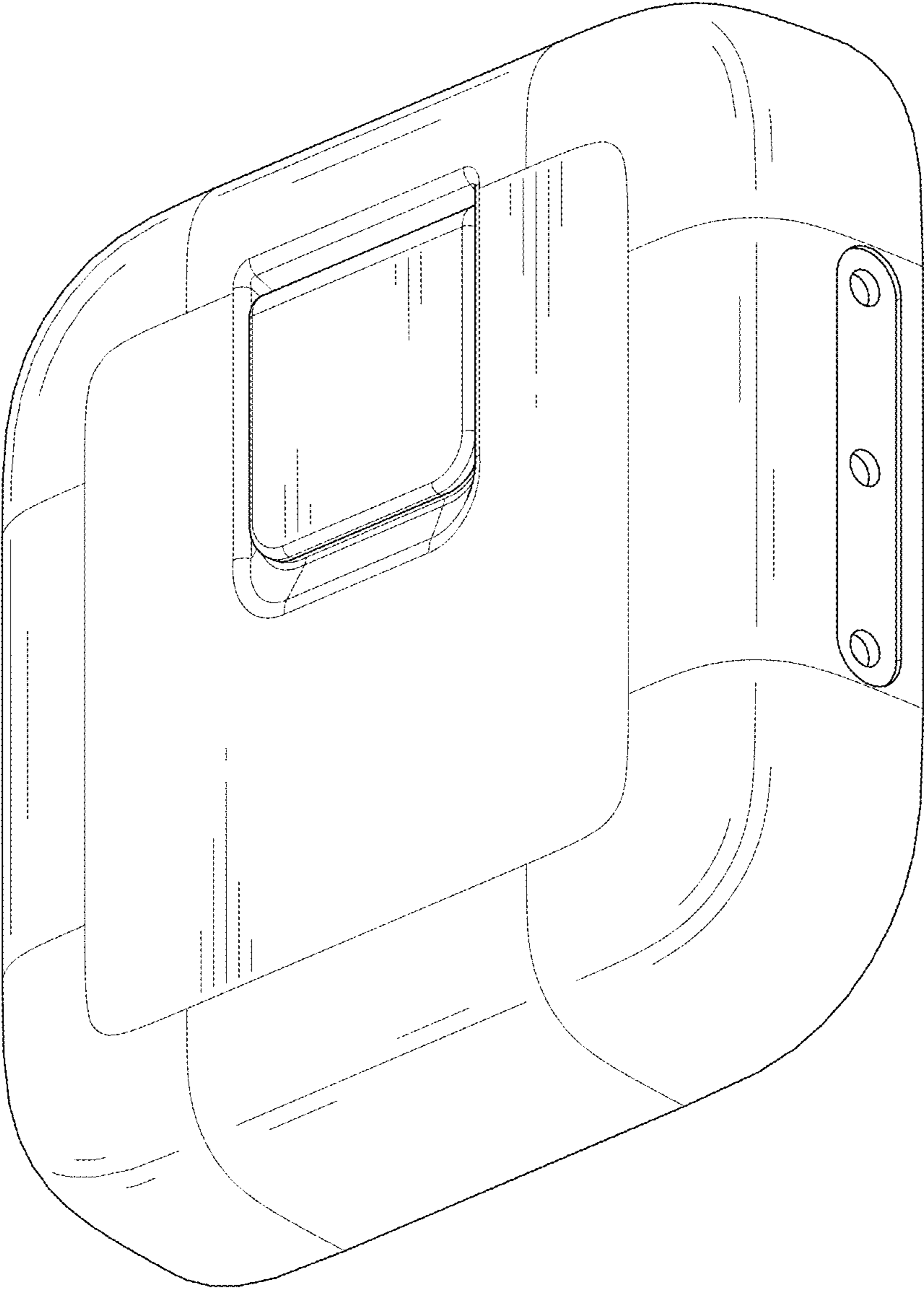


FIG. 2

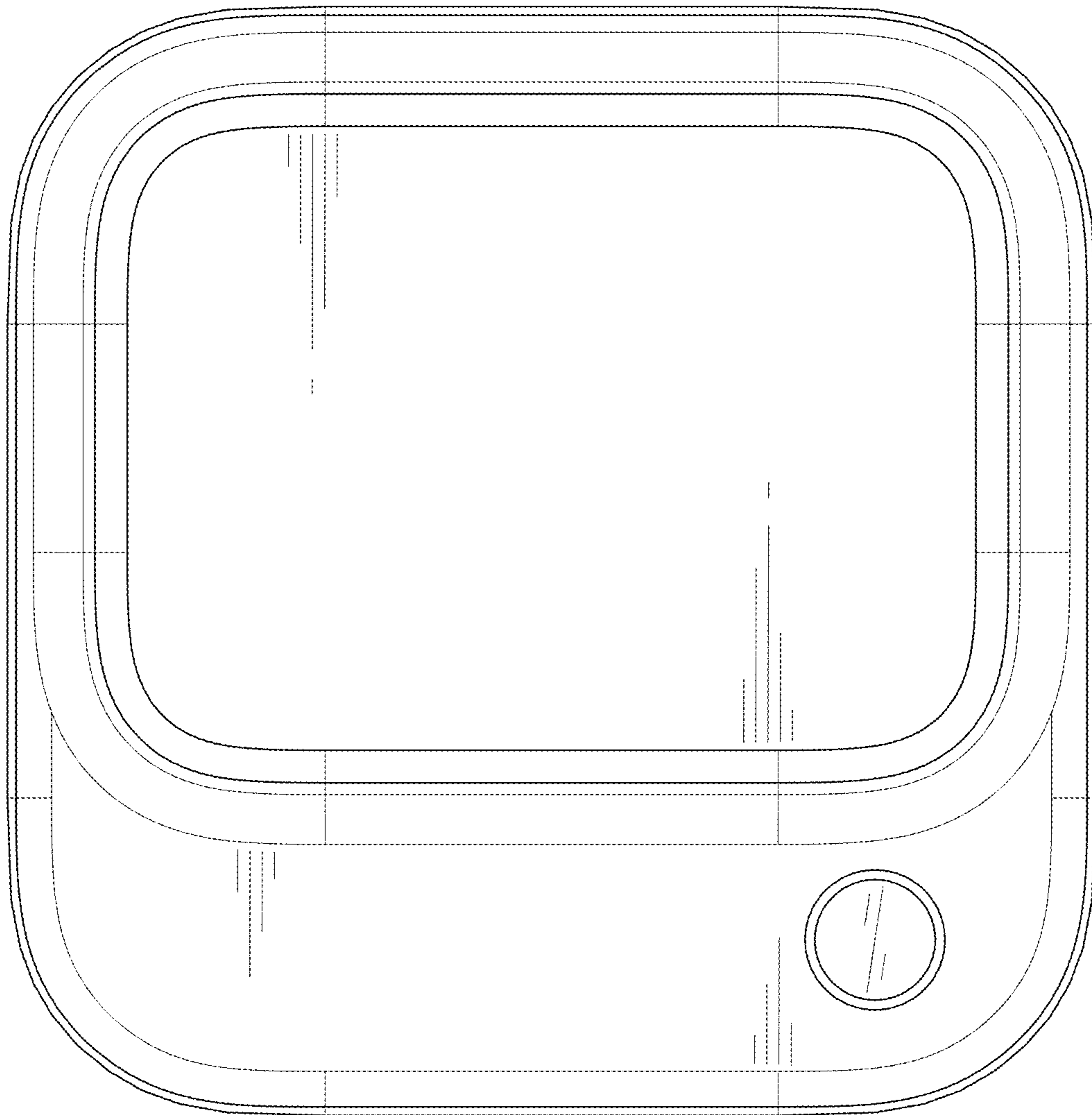


FIG.3

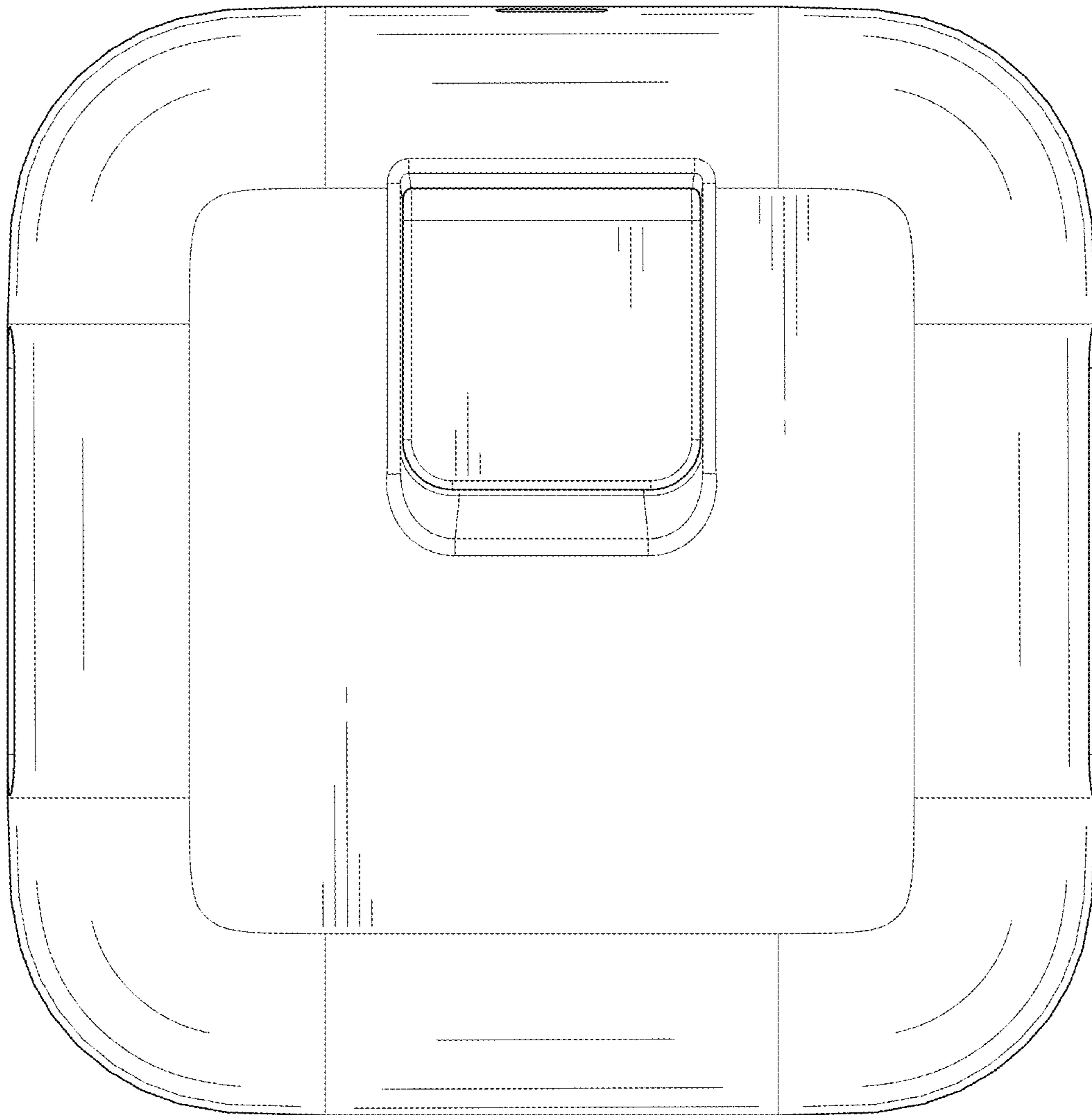


FIG. 4

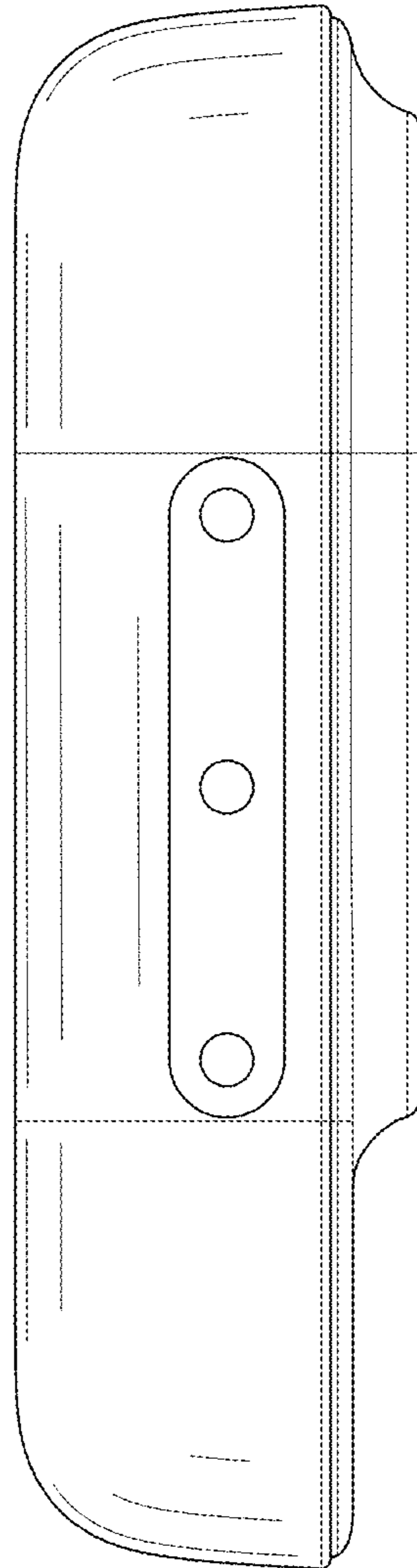


FIG. 5

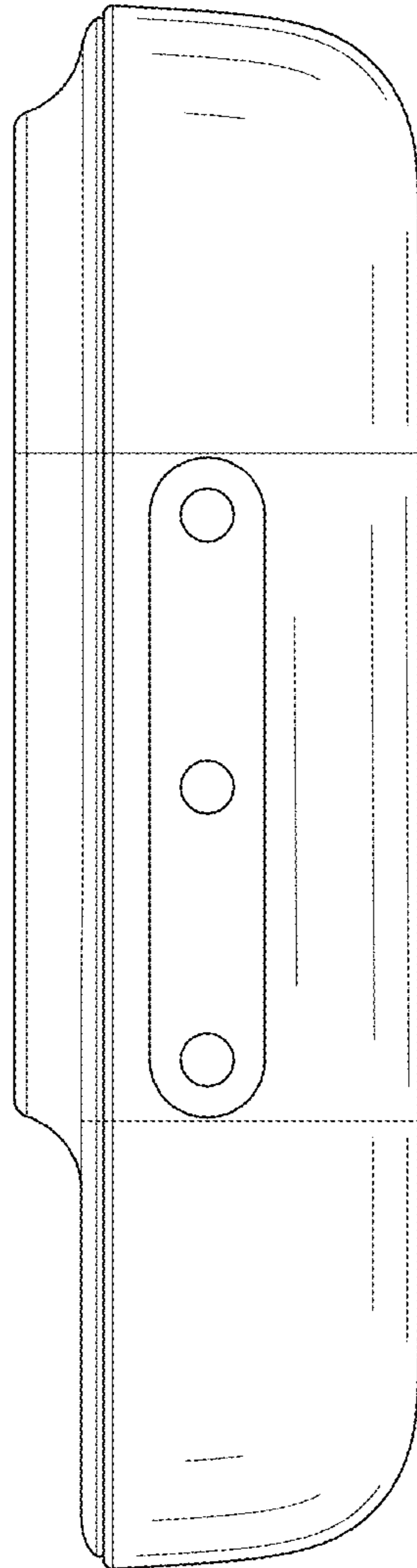


FIG. 6

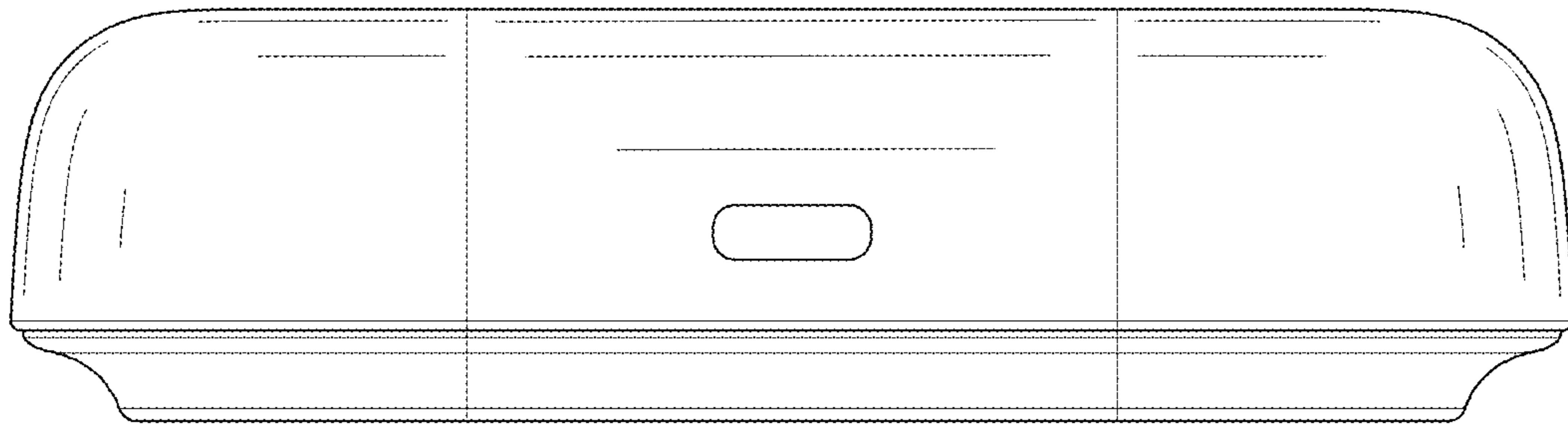


FIG. 7

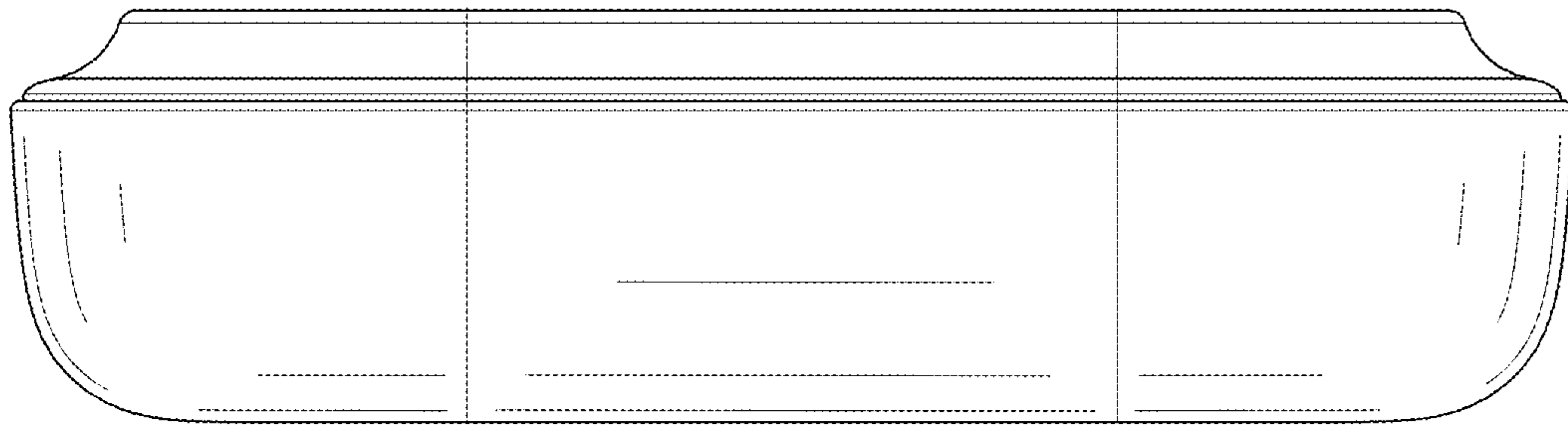


FIG. 8