



US00D981254S

(12) **United States Design Patent**
Baum

(10) **Patent No.:** **US D981,254 S**
(45) **Date of Patent:** **** Mar. 21, 2023**

(54) **STACKABLE MEDICATION CUP**

FOREIGN PATENT DOCUMENTS

(71) Applicant: **Rebecca Sylvia Baum**, Millcreek, UT
(US)

CN 305130295 * 4/2019
JP D1370457 * 10/2009

(Continued)

(72) Inventor: **Rebecca Sylvia Baum**, Millcreek, UT
(US)

OTHER PUBLICATIONS

(**) Term: **15 Years**

Amazon.com, "Kolder Mini Measure Heavy Glass," May 4, 2003,
Amazon.com, www.amazon.com/Kolder-13211-20-Incremental-
Measurements-Multi-Purpose/dp/B0000CFO3W (Year: 2003).*

(21) Appl. No.: **29/714,810**

(Continued)

(22) Filed: **Nov. 26, 2019**

(51) **LOC (14) Cl.** **10-04**

(52) **U.S. Cl.**

USPC **D10/46.2**; D24/121

(58) **Field of Classification Search**

USPC D3/202; D7/300, 392.1, 396.2, 396.4,
D7/500, 503-504, 507, 509-511, 523,
D7/536, 538, 560, 565, 589-591, 619.1,
D7/622, 900; D9/504, 520, 738, 741,
D9/742, 749, 756, 761, 773, 777, 778;
D10/46.2, 46.3; D24/121, 122, 224, 232
CPC A47G 19/22; A47G 19/2205; A47G
19/2272; A47G 19/2288; A47G 19/23;
A47J 2203/00; A47J 31/40; A47J 31/401;
A47J 31/402; A47J 31/404; A47J 31/41;
A47J 31/4467; A47J 31/46; A47J 31/56;
A47J 43/07; B44D 3/122; B65D 2203/04;
G01F 17/00

See application file for complete search history.

Primary Examiner — Joseph Kukella

Assistant Examiner — Arva P Adams

(74) *Attorney, Agent, or Firm* — Boudwin Intellectual
Property; Daniel Boudwin

(57) **CLAIM**

The ornamental design for a stackable medication cup, as
shown and described.

DESCRIPTION

FIG. 1 shows a perspective view of a stackable medication
cup.

FIG. 2 shows a front view of the stackable medication cup.

FIG. 3 shows a rear view of the stackable medication cup.

FIG. 4 shows a top plan view of the stackable medication
cup.

FIG. 5 shows a bottom plan view of the stackable medica-
tion cup.

FIG. 6 shows a right side view of the stackable medication
cup; and,

FIG. 7 shows a left side view of the stackable medication
cup.

The shade lines in the Figures show contour and not surface
ornamentation.

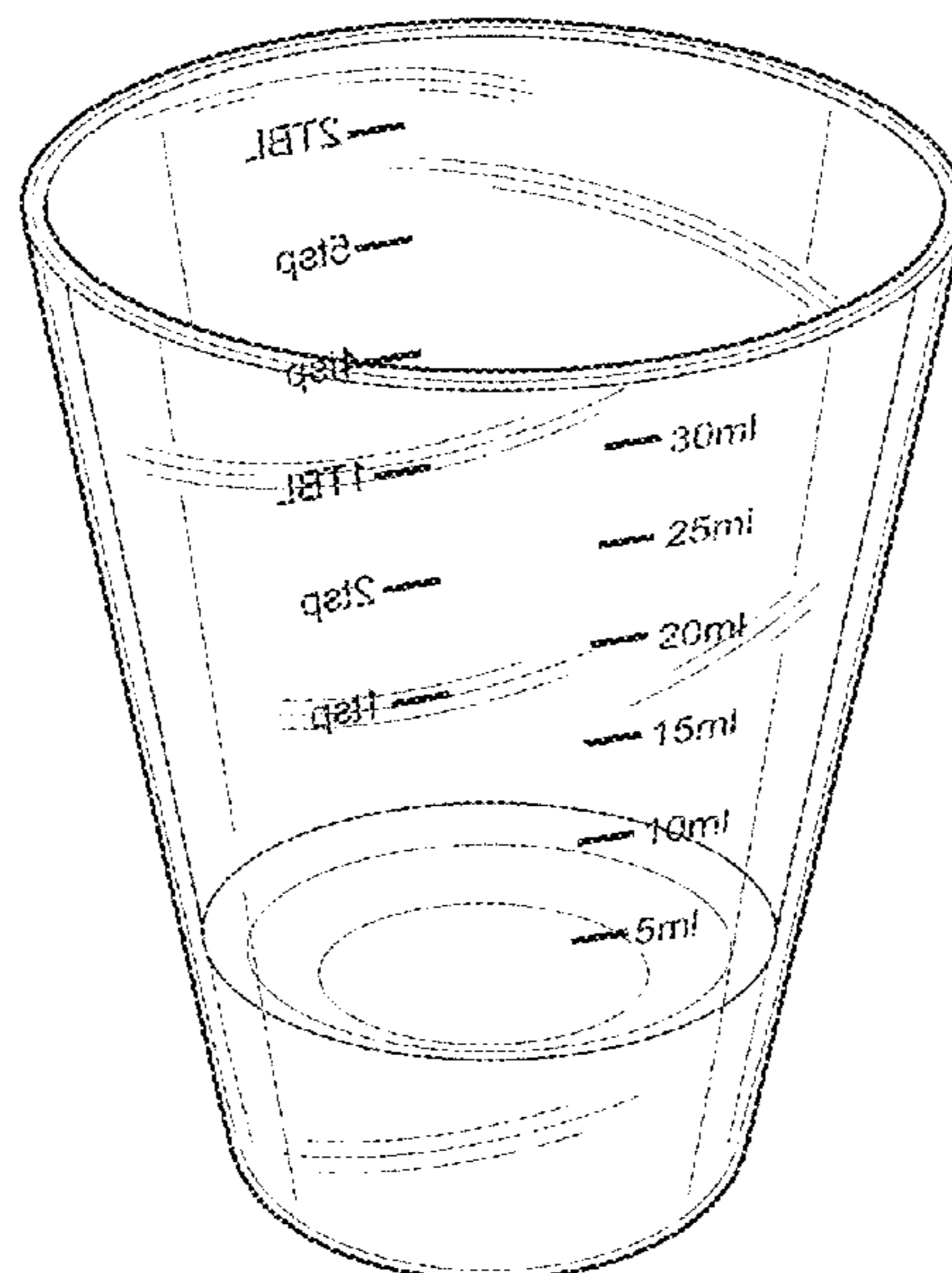
(56) **References Cited**

U.S. PATENT DOCUMENTS

870,087 A * 11/1907 Dickens B02C 2/06
241/101.3
D209,307 S * 11/1967 Schilling A61J 7/0046
D7/523
D328,492 S * 8/1992 Mathis D10/46.2

(Continued)

1 Claim, 4 Drawing Sheets



(56)

References Cited

U.S. PATENT DOCUMENTS

5,462,711 A * 10/1995 Ricottone A61L 2/025
422/1
5,699,937 A * 12/1997 Canela A47G 19/2205
222/129
D401,115 S * 11/1998 Huang D9/547
6,769,302 B1 * 8/2004 King G01F 19/00
73/426
D539,611 S * 4/2007 Wasserman G01F 19/00
D7/586
D554,941 S 11/2007 Mansfield
D636,678 S * 4/2011 Baird G01F 19/002
D9/547
D688,579 S * 8/2013 Marshall A61L 2/025
D10/46.2
D729,932 S * 5/2015 Riordan D24/121
D743,279 S * 11/2015 Schwartz D10/46.2
D759,267 S * 6/2016 Brandenburger D24/224
D799,267 S * 10/2017 Luo B65D 1/265
D7/396.4
D801,184 S * 10/2017 Trevino A47G 19/2205
D9/600
D842,494 S * 3/2019 Lee G01F 19/00
D24/224
D848,022 S * 5/2019 Park A47J 36/04
D9/523
D867,167 S * 11/2019 Foster G01F 19/00
D10/46.2
2003/0089718 A1 5/2003 Zinnbauer
2009/0264815 A1 * 10/2009 Grogan, Jr. G01F 19/00
604/77
2010/0307239 A1 * 12/2010 Goldstein A47J 36/04
73/427

2011/0048128 A1 * 3/2011 Groll G01F 19/002
73/427
2014/0272020 A1 9/2014 Wilson et al.
2014/0326068 A1 * 11/2014 Lee G01F 19/00
73/427
2015/0094650 A1 * 4/2015 Young A61J 7/0046
604/78
2016/0073810 A1 3/2016 Natale
2016/0159564 A1 * 6/2016 Smith B65D 1/265
426/112
2017/0020783 A1 1/2017 Shani et al.
2019/0336397 A1 * 11/2019 Ferrara G01F 19/00
2021/0015710 A1 * 1/2021 Baum A61J 1/03

FOREIGN PATENT DOCUMENTS

JP D1453039 * 10/2012
KR 300836050.0000 * 1/2016
TW 166439-0001 * 3/2015

OTHER PUBLICATIONS

Louiseldon, "File:Shot glass in imp. fl oz.jpg," Oct. 1, 2017, Wikimedia Commons, https://commons.wikimedia.org/wiki/File:Shot_glass_in_imp._fl_oz.jpg (Year: 2017).*
Mycyberattic, "Antique Hand Blown Etched Glass Medicinal Footed Measuring Cup with Pestle," Feb. 10, 2018, Etsy, www.etsy.com/listing/579124664/antique-hand-blown-etched-glass?show_sold_out_detail=1&ref=nla_listing_details (Year: 2018).*
Eastbuy, "Measuring Cups Glass," Apr. 22, 2019, Amazon.com, www.amazon.com/Measuring-Cups-Glass-Teaspoon-Tablespoon/dp/B07R1XJ8K8 (Year: 2019).*

* cited by examiner

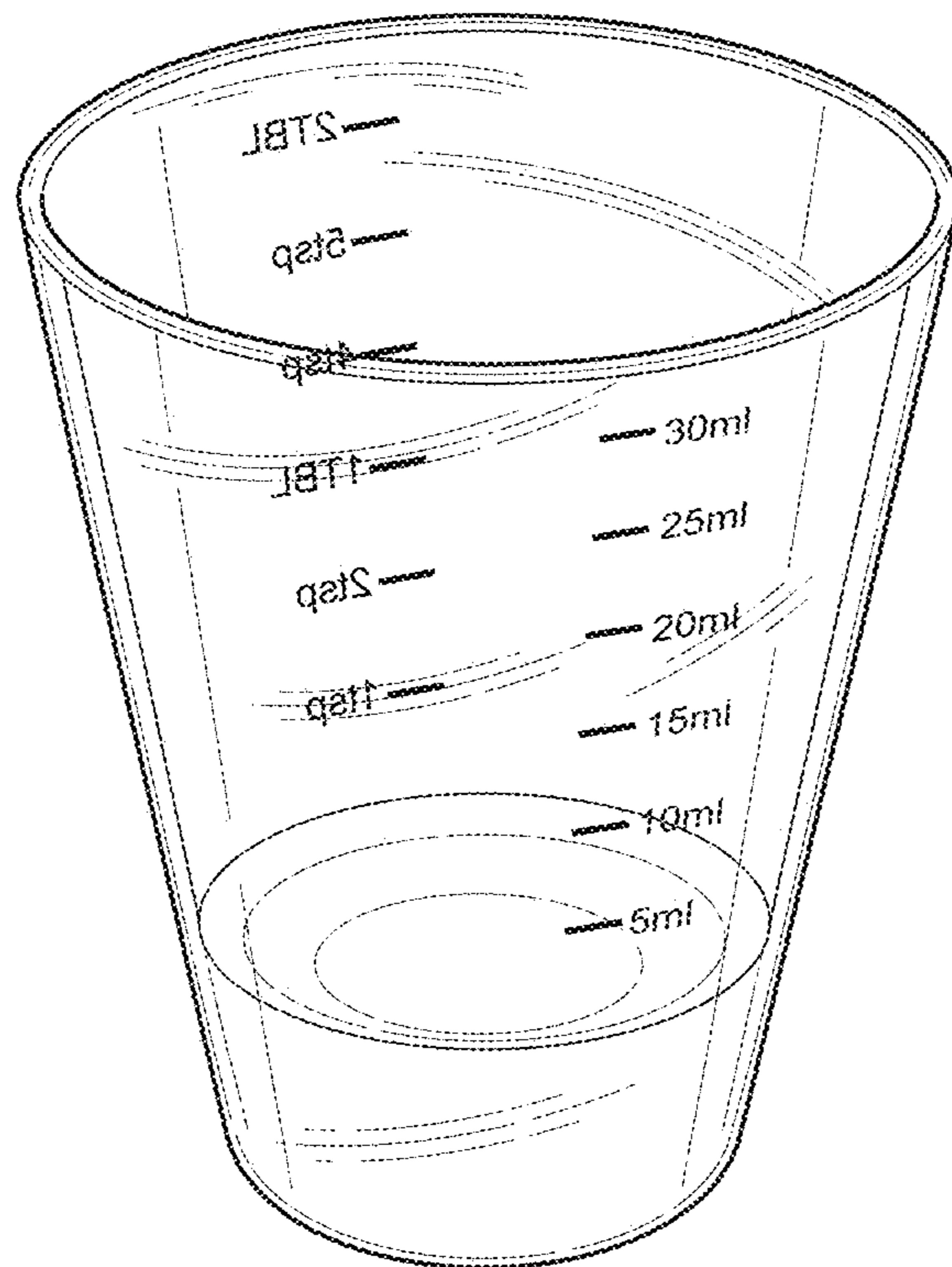


FIG. 1

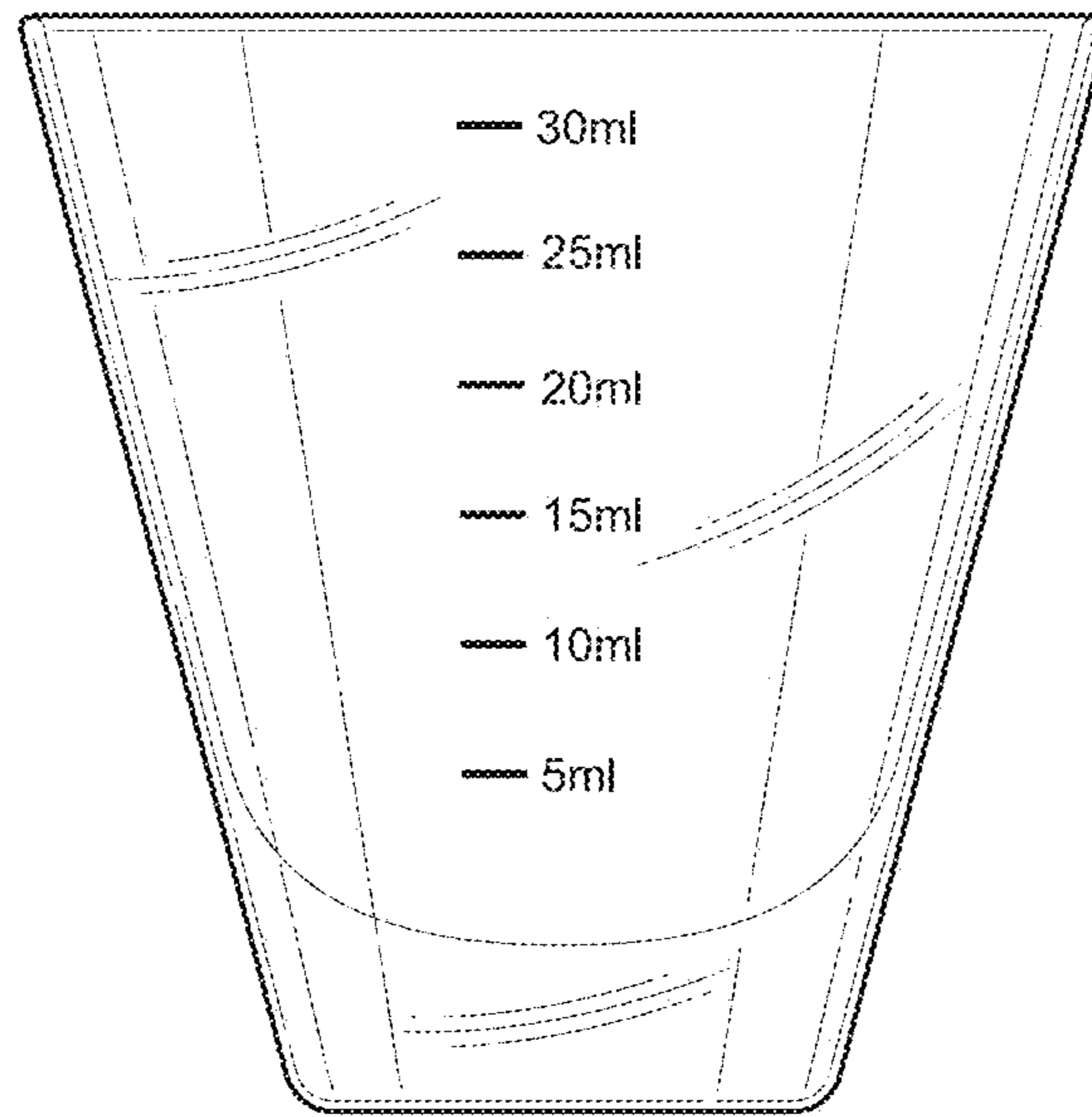


FIG. 2

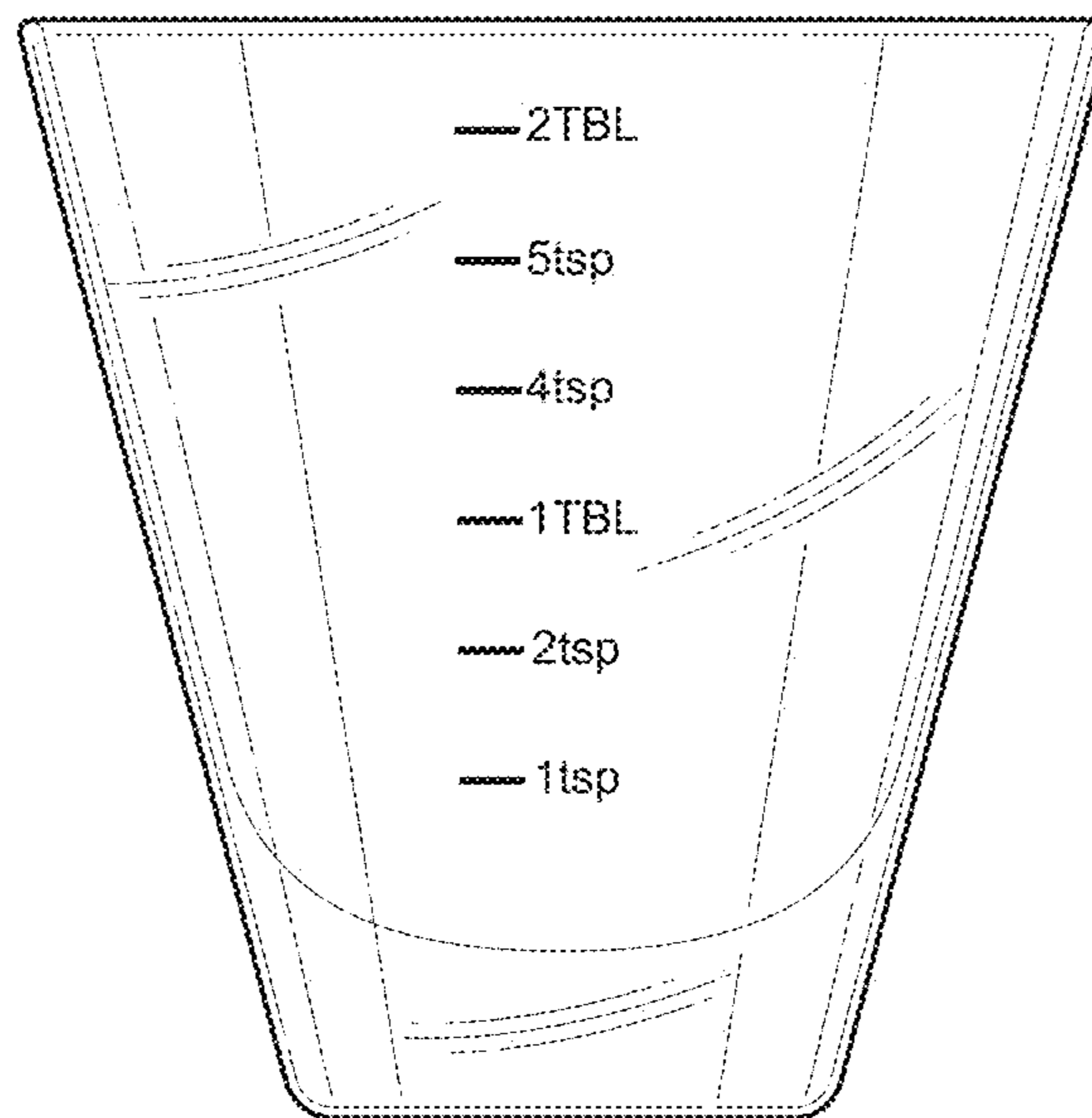


FIG. 3

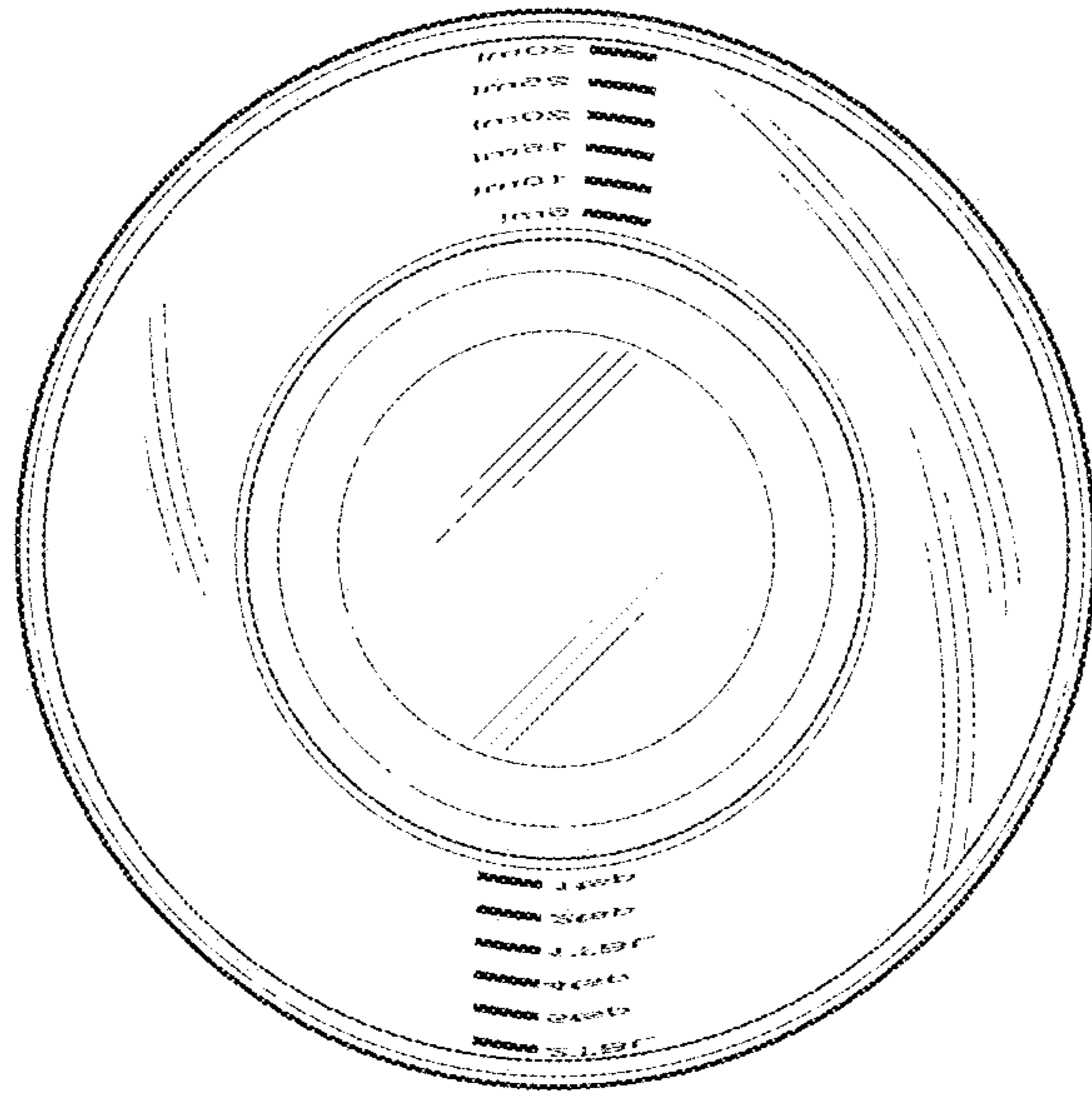


FIG. 4

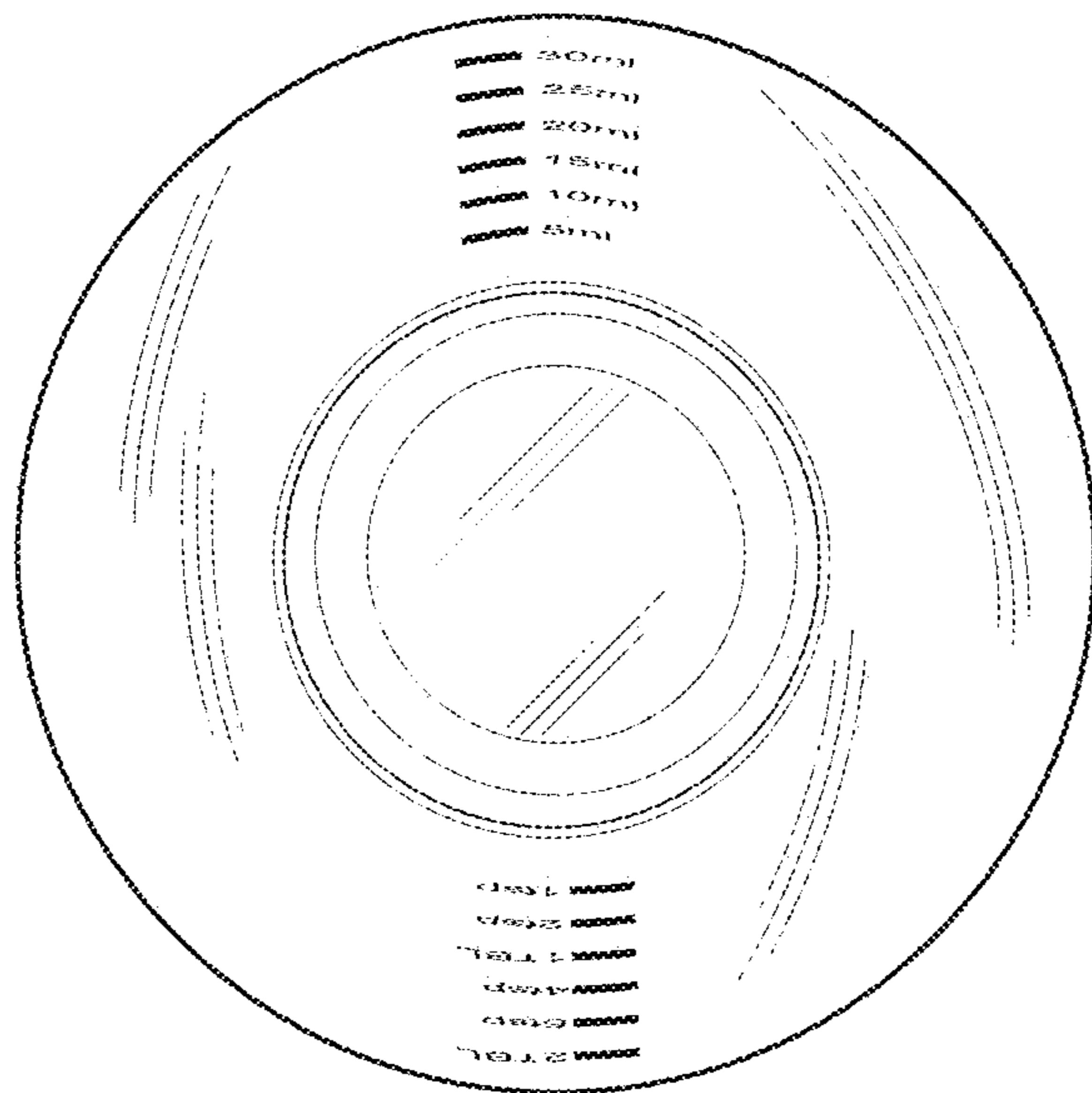


FIG. 5

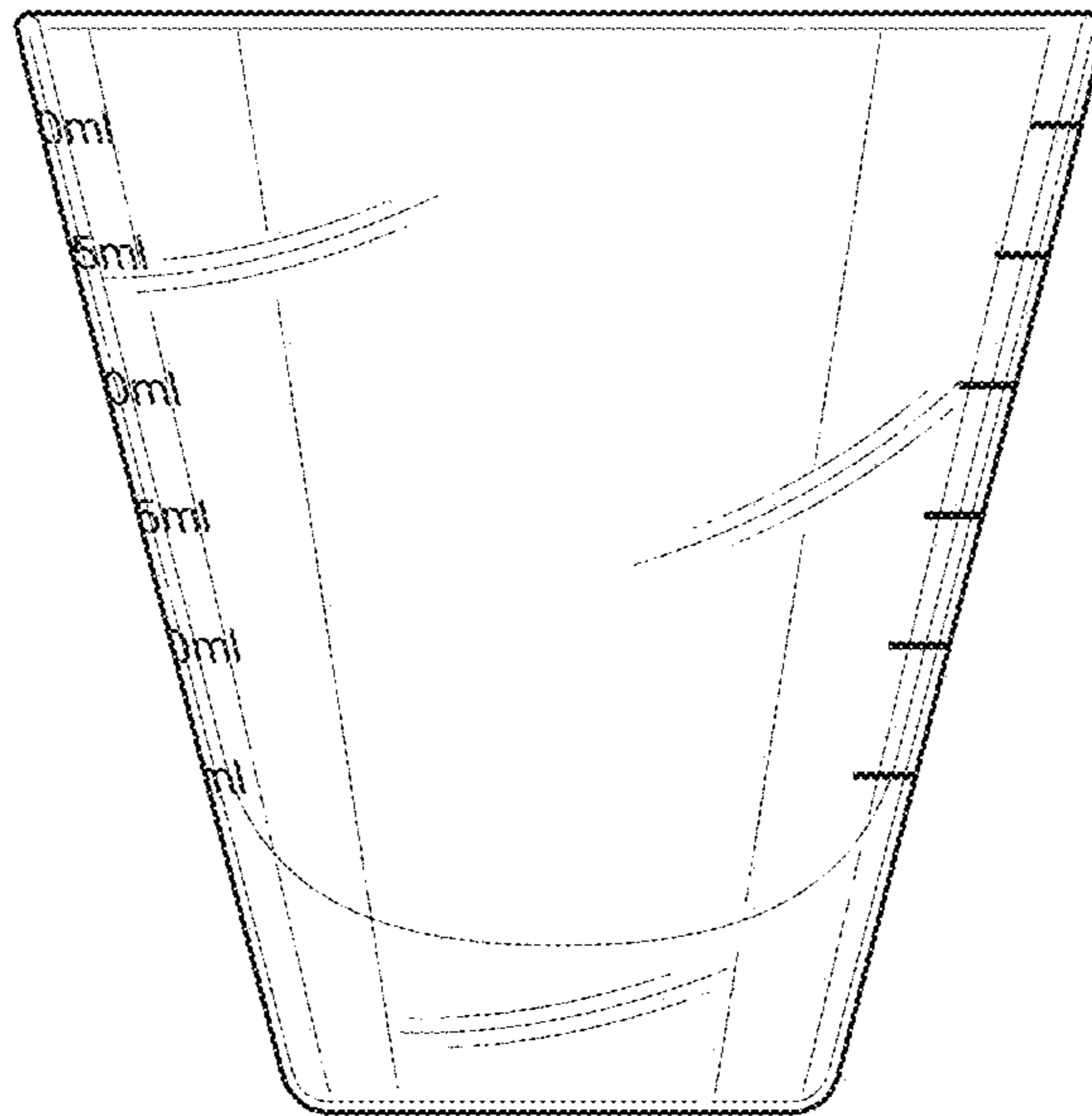


FIG. 6

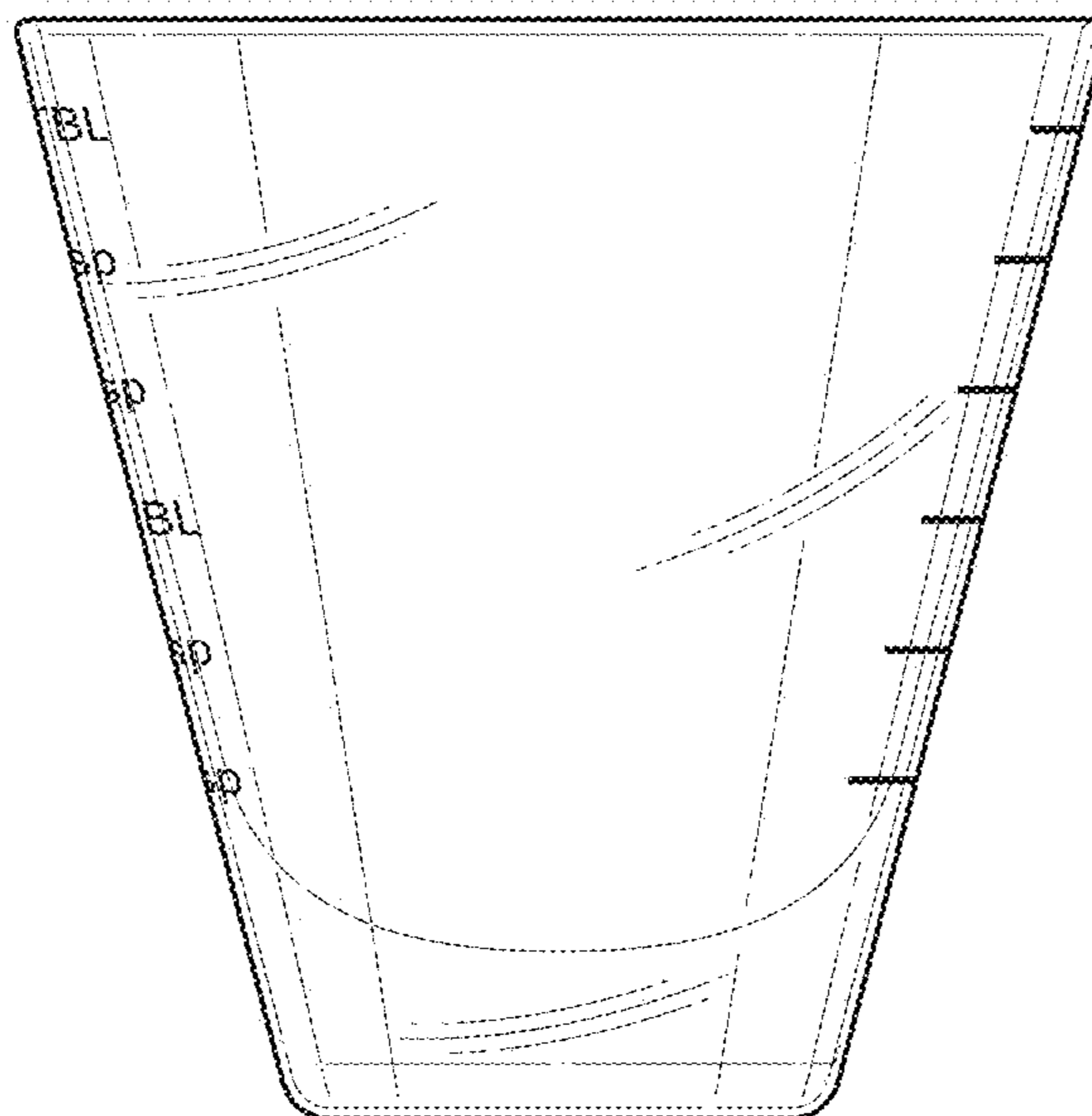


FIG. 7