



US00D981249S

(12) **United States Design Patent** (10) **Patent No.:** **US D981,249 S**  
**Andrews** (45) **Date of Patent:** **\*\* Mar. 21, 2023**

(54) **LIP GLOSS TUBE**

(71) Applicant: **Dawn Andrews**, Edinburgh, IN (US)

(72) Inventor: **Dawn Andrews**, Edinburgh, IN (US)

(\*\*) Term: **15 Years**

(21) Appl. No.: **29/802,054**

(22) Filed: **Aug. 2, 2021**

(51) **LOC (14) Cl.** ..... **09-05**

(52) **U.S. Cl.**  
USPC ..... **D9/711**

(58) **Field of Classification Search**

USPC ..... D9/702-714, 695-699, 435, 440, 521,  
D9/454, 544, 723-724, 499, 449,  
D9/727-728, 442, 447, 504; D28/91.1,  
D28/76-78, 82, 88; D24/114; D3/202,  
D3/205, 203.2, 270, 271.1-271.4;  
D7/510, 514-520, 599, 601-602,  
D7/612-615, 619.2, 628-629  
CPC ..... B65D 1/0223; B65D 1/02; B65D 1/10;  
B65D 1/46; B65D 23/00; B65D 2585/00;  
B65D 2585/08; B65D 81/60; B65D  
81/365; B65D 81/366; B65D 81/368;  
B65D 81/18; B65D 81/3876; B65D  
81/3886; F25D 3/08; F25D 3/02; A45C  
11/20; A45F 3/18; A47G 23/0241; A47G  
23/0266; A47B 55/00; A47B 55/02; A47B  
73/00; A47B 73/006; A47B 73/008; A47B  
69/00

See application file for complete search history.

(56) **References Cited**

U.S. PATENT DOCUMENTS

D378,350 S \* 3/1997 Halm ..... D9/697  
D885,199 S \* 5/2020 Roesler ..... D9/711  
D923,487 S \* 6/2021 Hwang ..... D9/711

\* cited by examiner

*Primary Examiner* — Abraham Bahta

(74) *Attorney, Agent, or Firm* — Brannon Sowers & Cracraft PC

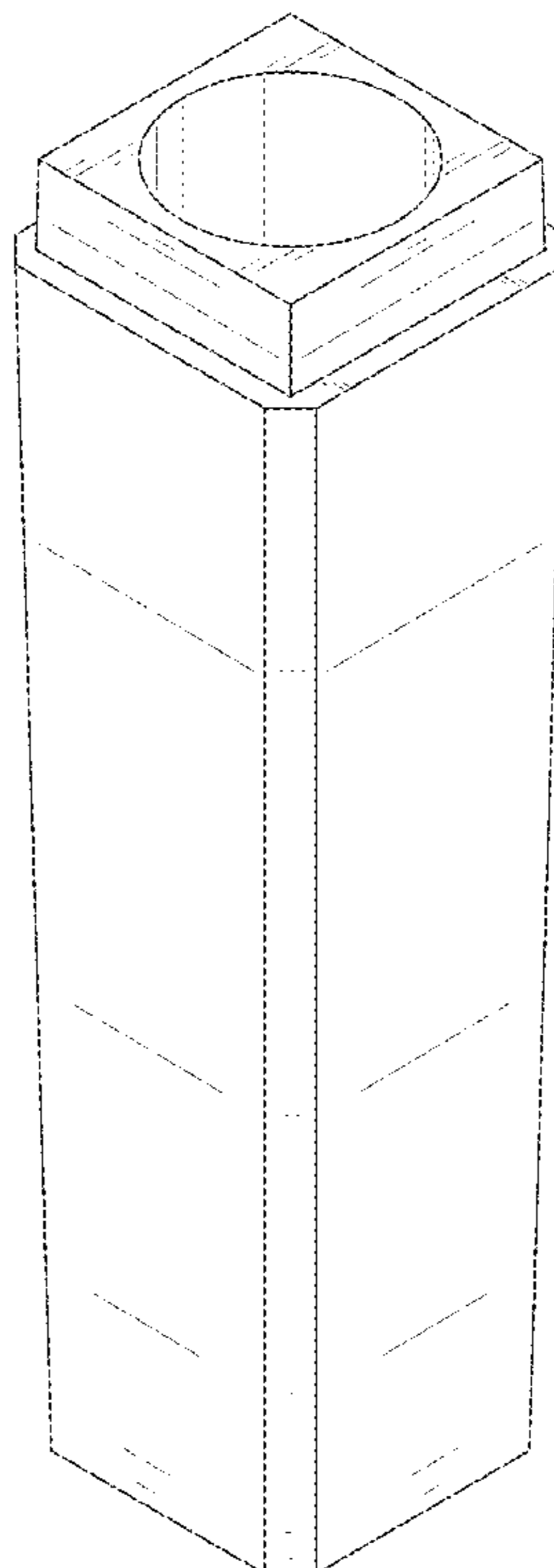
(57) **CLAIM**

The ornamental design for a lip gloss tube, as shown and described.

**DESCRIPTION**

FIG. 1 is a top perspective view of a lip gloss tube, showing my new design;  
FIG. 2 is a front side elevation view thereof;  
FIG. 3 is a back side elevation view thereof;  
FIG. 4 is a left side elevation view thereof;  
FIG. 5 is a right side elevation view thereof;  
FIG. 6 is a top plan view thereof;  
FIG. 7 is a bottom plan view thereof;  
FIG. 8 is a section view thereof taken about line 8-8 in FIG. 6;  
FIG. 9 is a top perspective view thereof; and,  
FIG. 10 is a top perspective view thereof, showing an exploded view of example environmental structure in broken lines.  
The broken lines form no part of the claimed design.

**1 Claim, 7 Drawing Sheets**



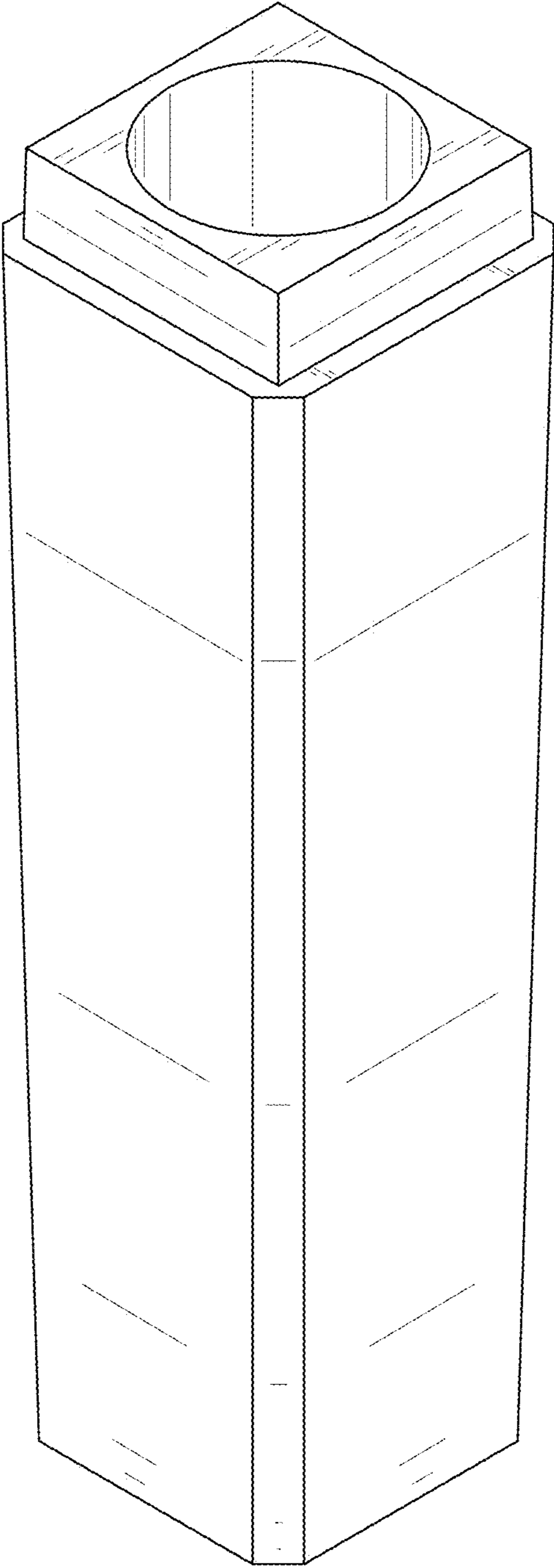


FIG. 1

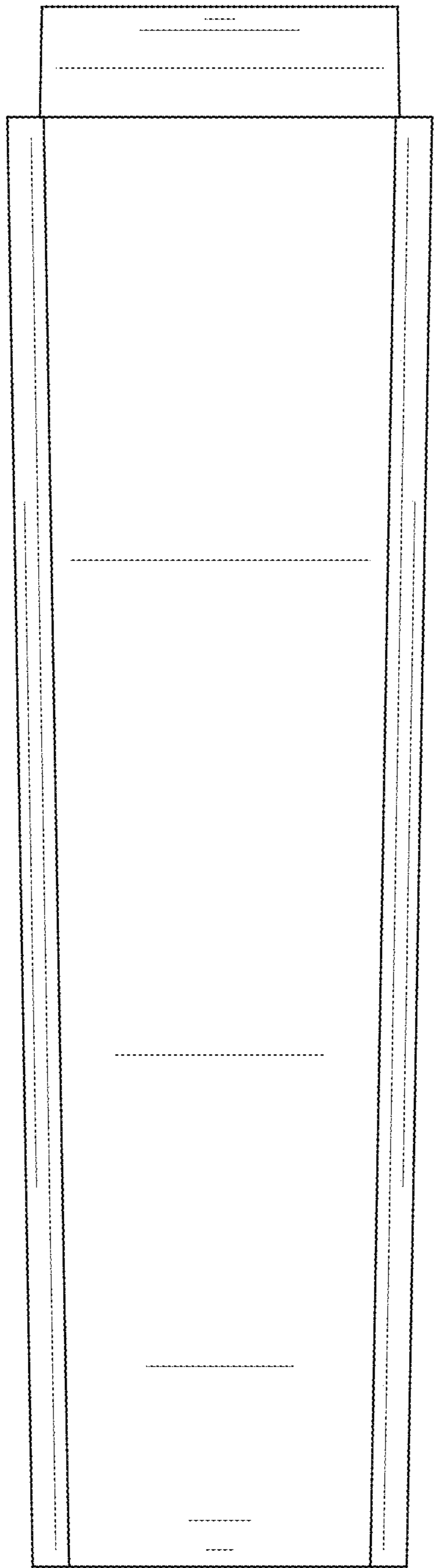


FIG. 2

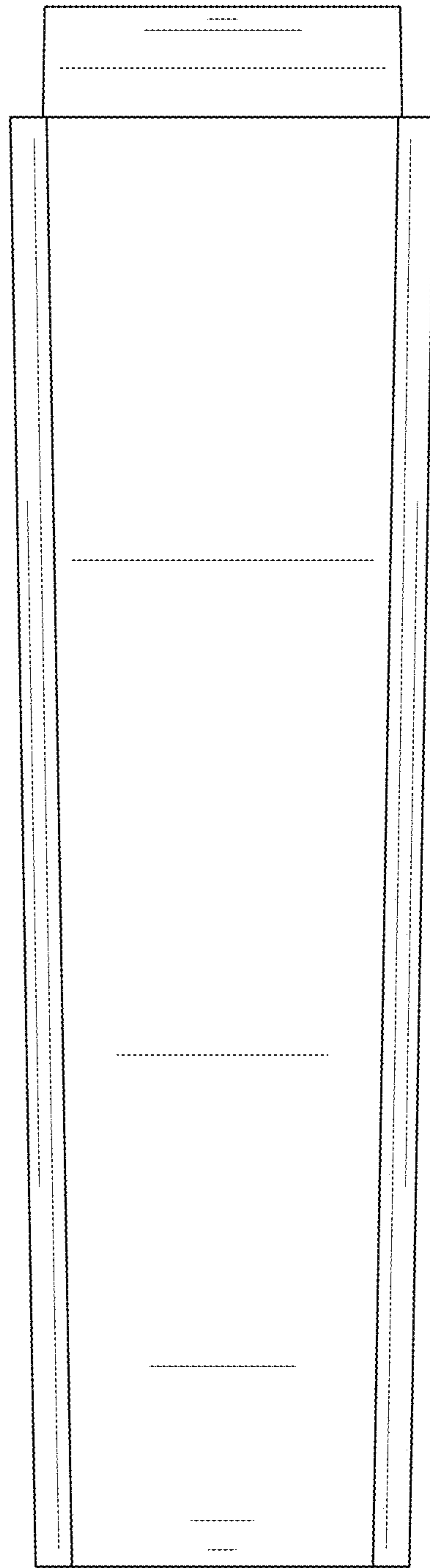


FIG. 3

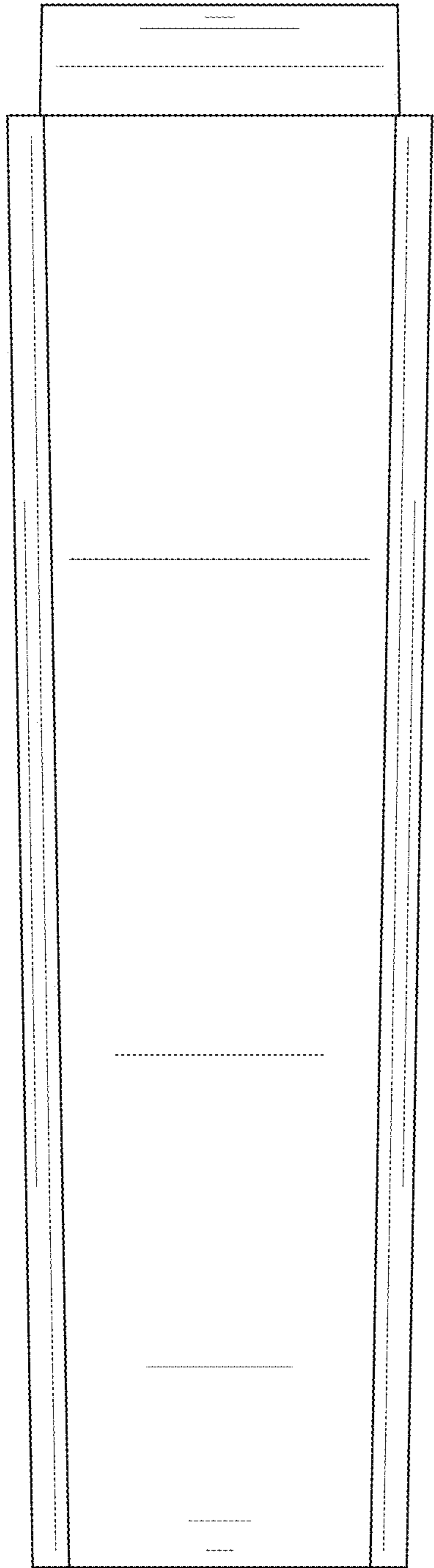


FIG. 4

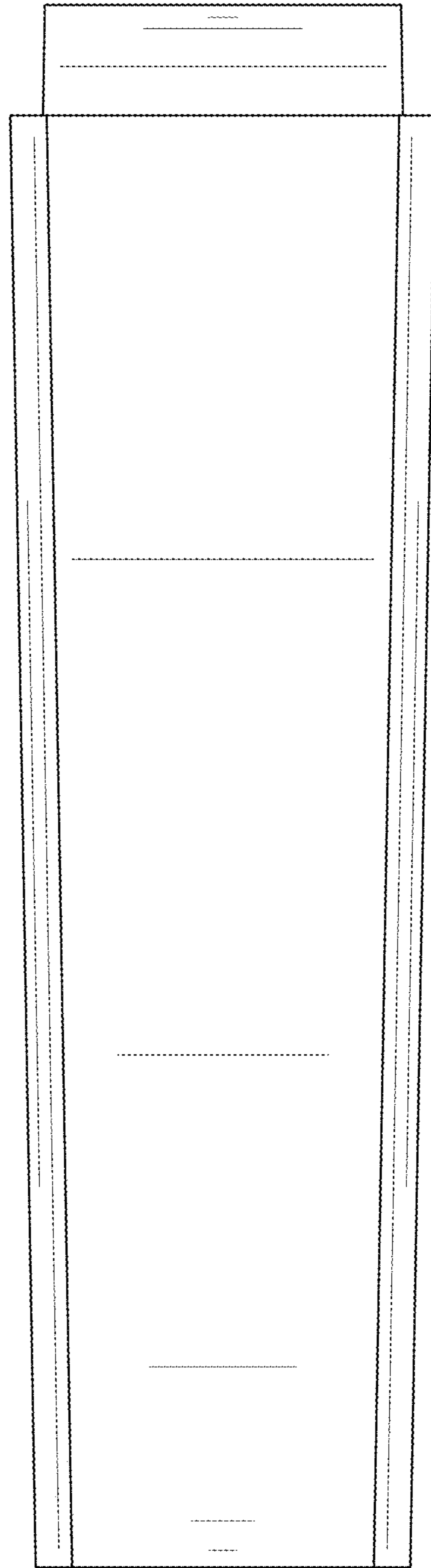


FIG. 5

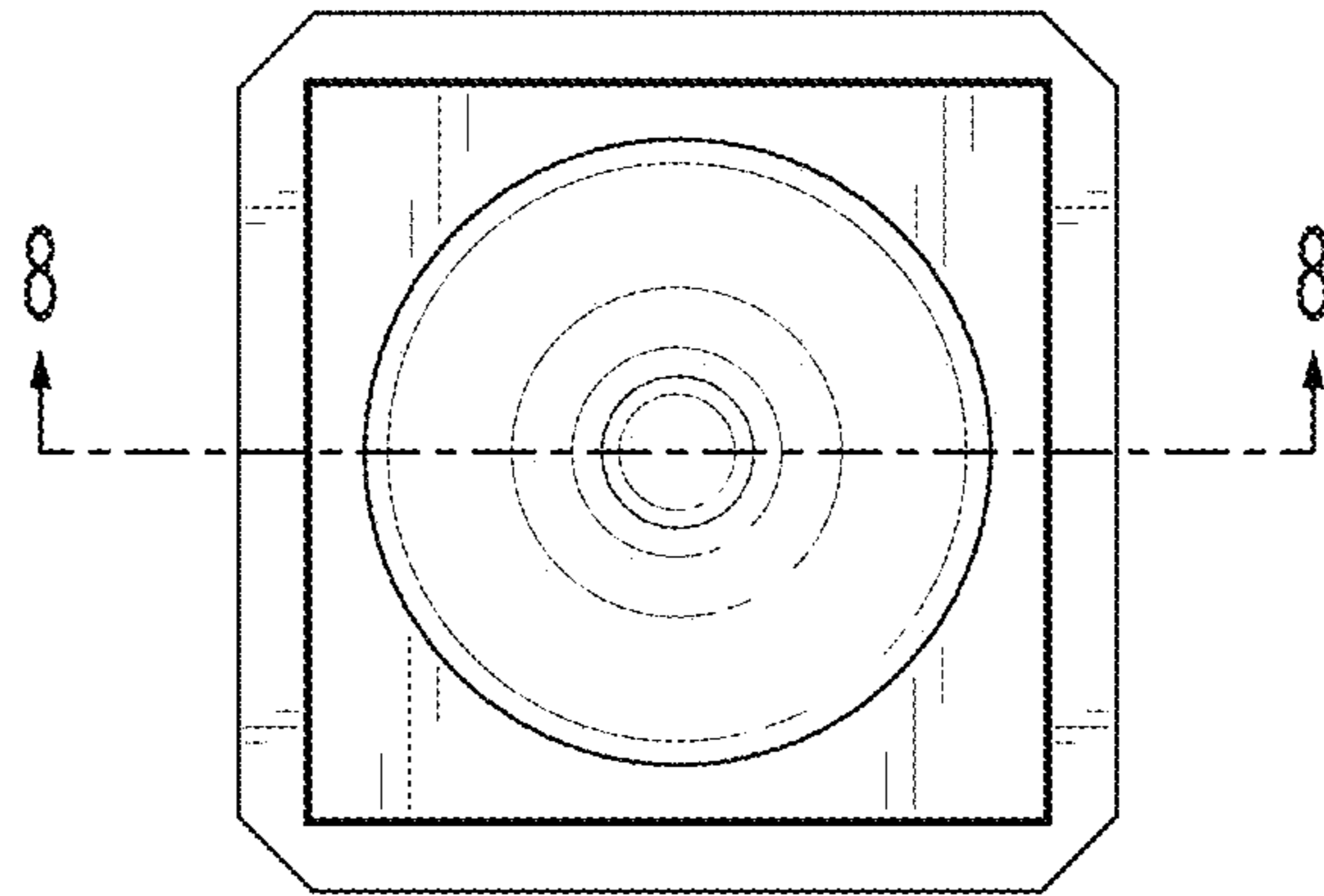


FIG. 6

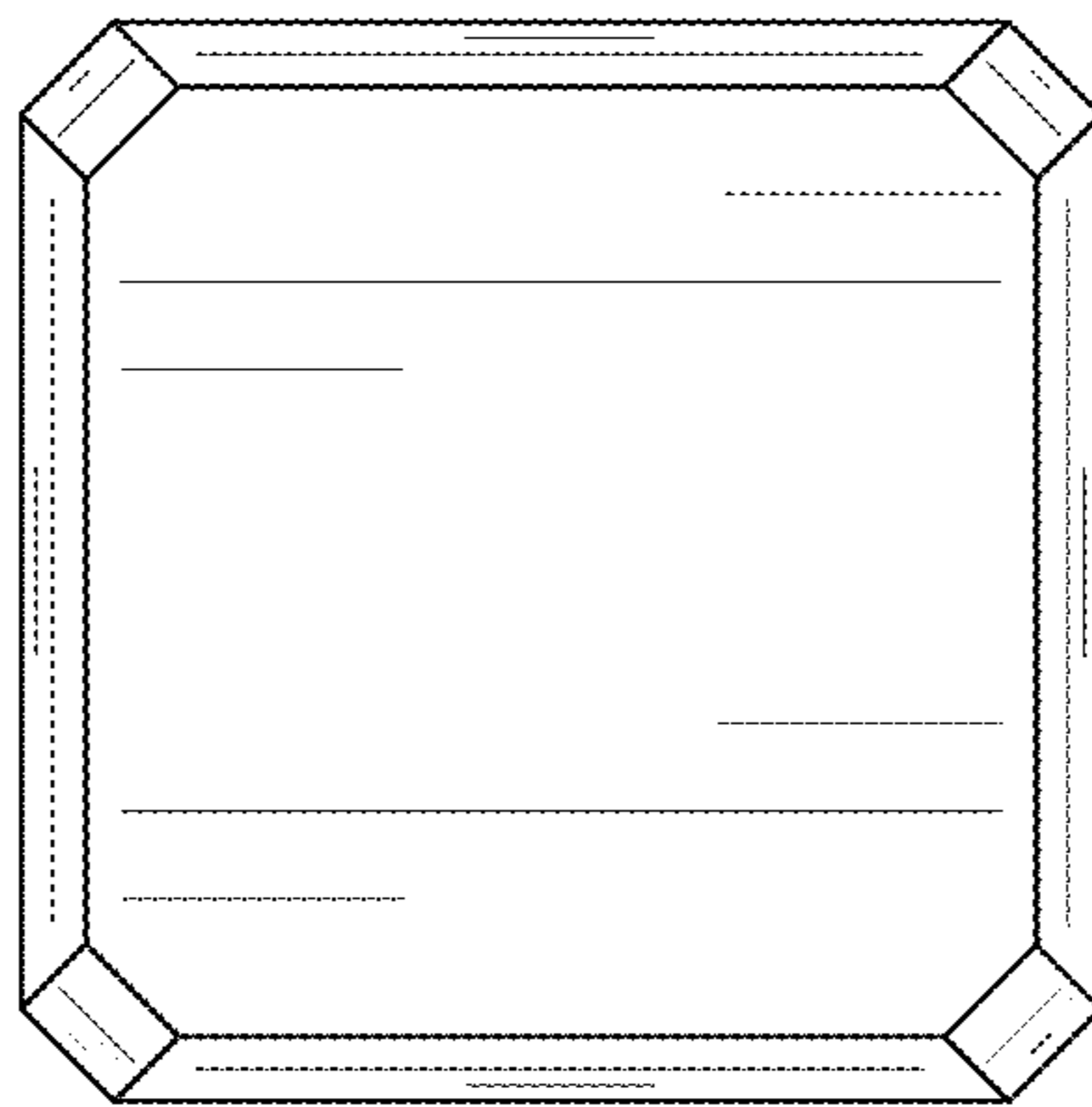


FIG. 7

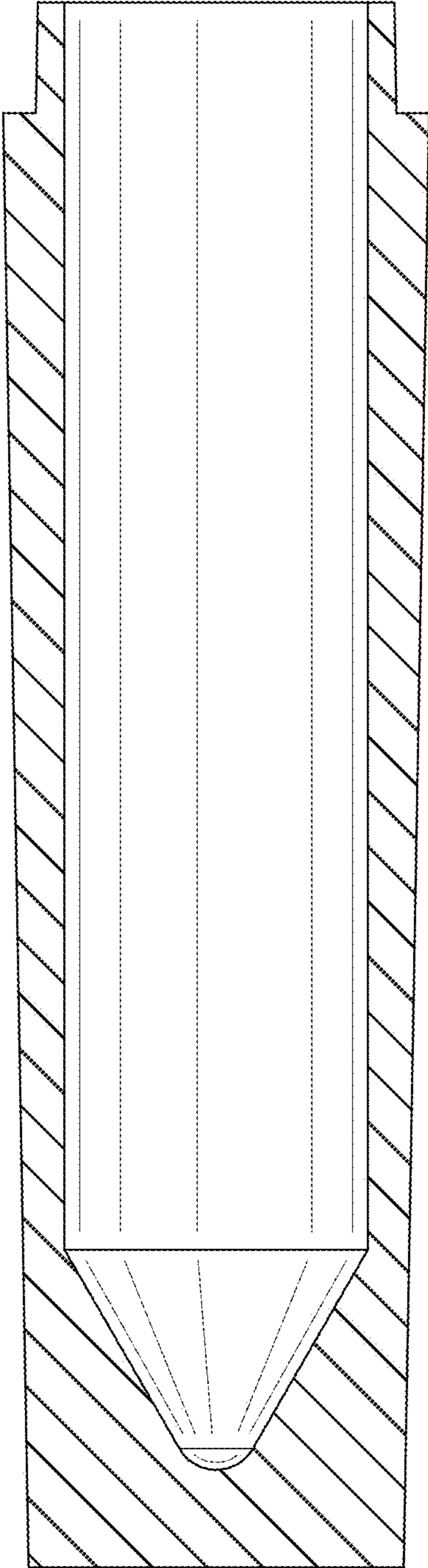


FIG. 8

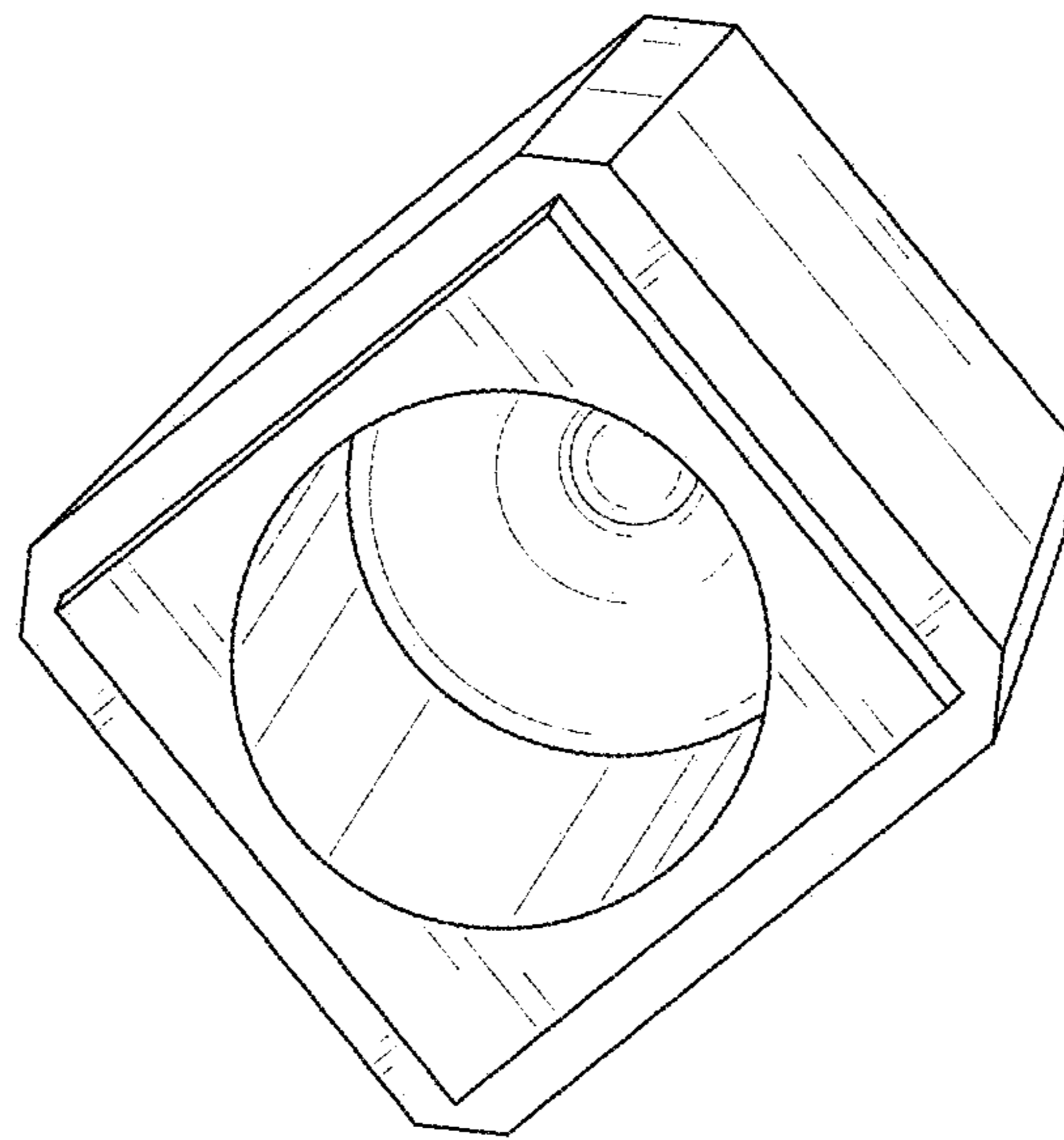


FIG. 9

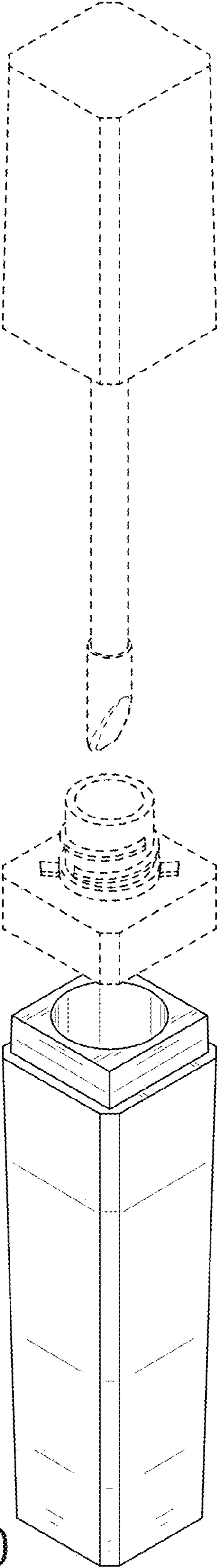


FIG. 10