



US00D981247S

(12) **United States Design Patent** (10) **Patent No.:** **US D981,247 S**  
**Chung et al.** (45) **Date of Patent:** **\*\* Mar. 21, 2023**

(54) **TUBE PACKAGING CONTAINER**  
(71) Applicant: **CTK COSMETICS CO., LTD.**, Seoul (KR)  
(72) Inventors: **In Yong Chung**, Seoul (KR); **Sun Young Choi**, Seoul (KR); **Jae Hui Lee**, Suwon-si (KR); **Tae Young Kim**, Goyang-si (KR)  
(73) Assignee: **CTK COSMETICS CO., LTD.**, Seoul (KR)  
(\*\*) Term: **15 Years**  
(21) Appl. No.: **35/511,896**  
(22) Filed: **Nov. 20, 2020**  
(80) **Hague Agreement Data**  
Int. Filing Date: **Nov. 20, 2020**  
Int. Reg. No.: **DM/211845**  
Int. Reg. Date: **Nov. 20, 2020**  
Int. Reg. Pub. Date: **May 21, 2021**

(30) **Foreign Application Priority Data**  
Jul. 23, 2020 (KR) ..... 30-2020-0034176  
(51) **LOC (14) Cl.** ..... **09-05**  
(52) **U.S. Cl.**  
USPC ..... **D9/697**  
(58) **Field of Classification Search**  
USPC ..... D9/695-699, 702-714; D28/4-8.2  
CPC ..... B65D 35/00; B65D 35/28; B65D 35/02;  
B65D 35/04; B65D 35/08; B65D 35/36;  
B65D 35/38; B65D 5/00; B65D 5/001  
See application file for complete search history.

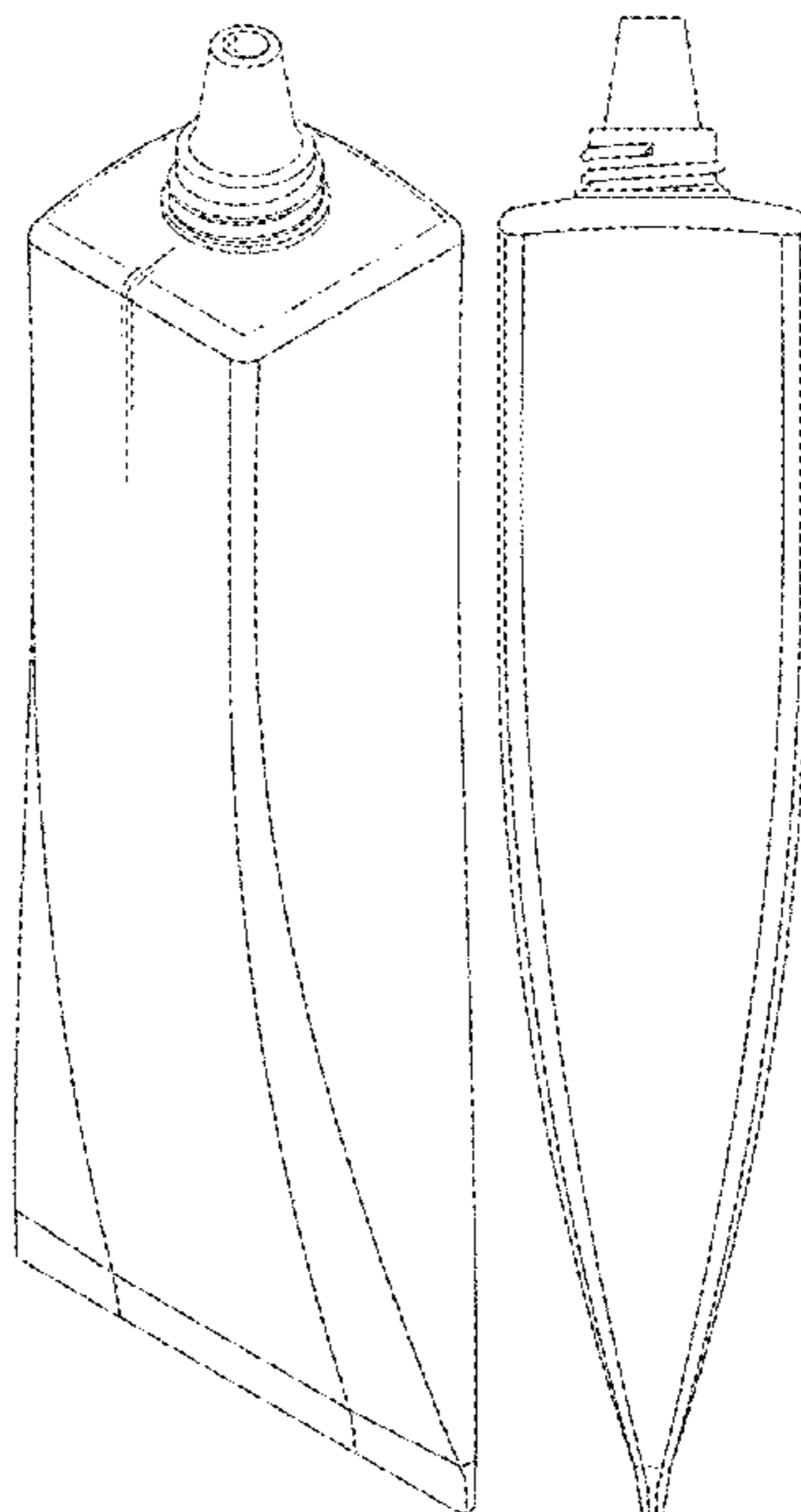
(56) **References Cited**  
U.S. PATENT DOCUMENTS  
4,126,249 A \* 11/1978 Wood ..... B65D 35/08  
222/92  
D376,975 S \* 12/1996 Hiro ..... D9/697  
D397,608 S \* 9/1998 Fiore ..... D9/520  
D414,104 S \* 9/1999 Klauke ..... D9/695  
D501,409 S \* 2/2005 Wass ..... D9/695  
D512,647 S \* 12/2005 Py ..... D9/695  
D546,196 S \* 7/2007 Py ..... D9/695  
D555,508 S \* 11/2007 Py ..... D9/695  
D558,061 S \* 12/2007 Py ..... D9/695  
D570,708 S \* 6/2008 Kerman ..... D9/697  
D584,641 S \* 1/2009 Domoy ..... D9/695  
D603,275 S \* 11/2009 Py ..... D9/695  
D850,280 S \* 6/2019 Yoshioka ..... D9/697  
D908,282 S \* 1/2021 Kim ..... D28/7

\* cited by examiner  
*Primary Examiner* — Michael A. Pratt  
(74) *Attorney, Agent, or Firm* — Novick, Kim & Lee, PLLC; Jae Youn Kim; Jihun Kim

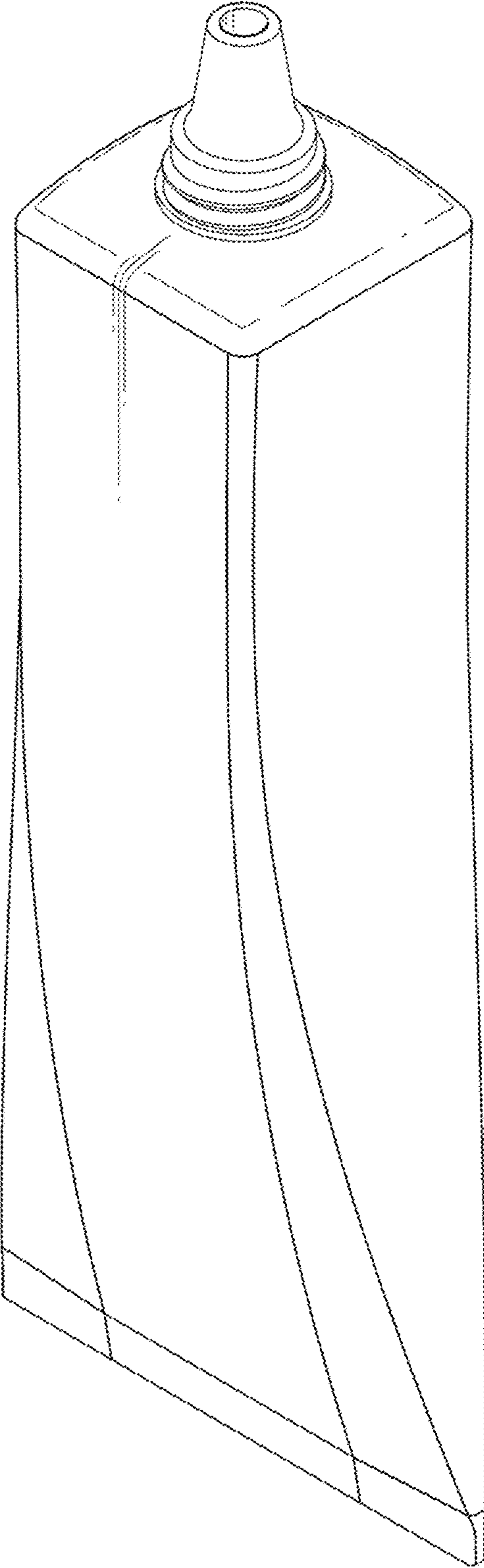
(57) **CLAIM**  
The ornamental design for a tube packaging container, as shown and described.

**DESCRIPTION**  
1. Tube packaging container  
1.1 : Perspective  
1.2 : Front  
1.3 : Back  
1.4 : Top  
1.5 : Bottom  
1.6 : Left  
1.7 : Right  
Materials include a synthetic resin; the subject design is a tube packaging container for cosmetics used to store cosmetics.

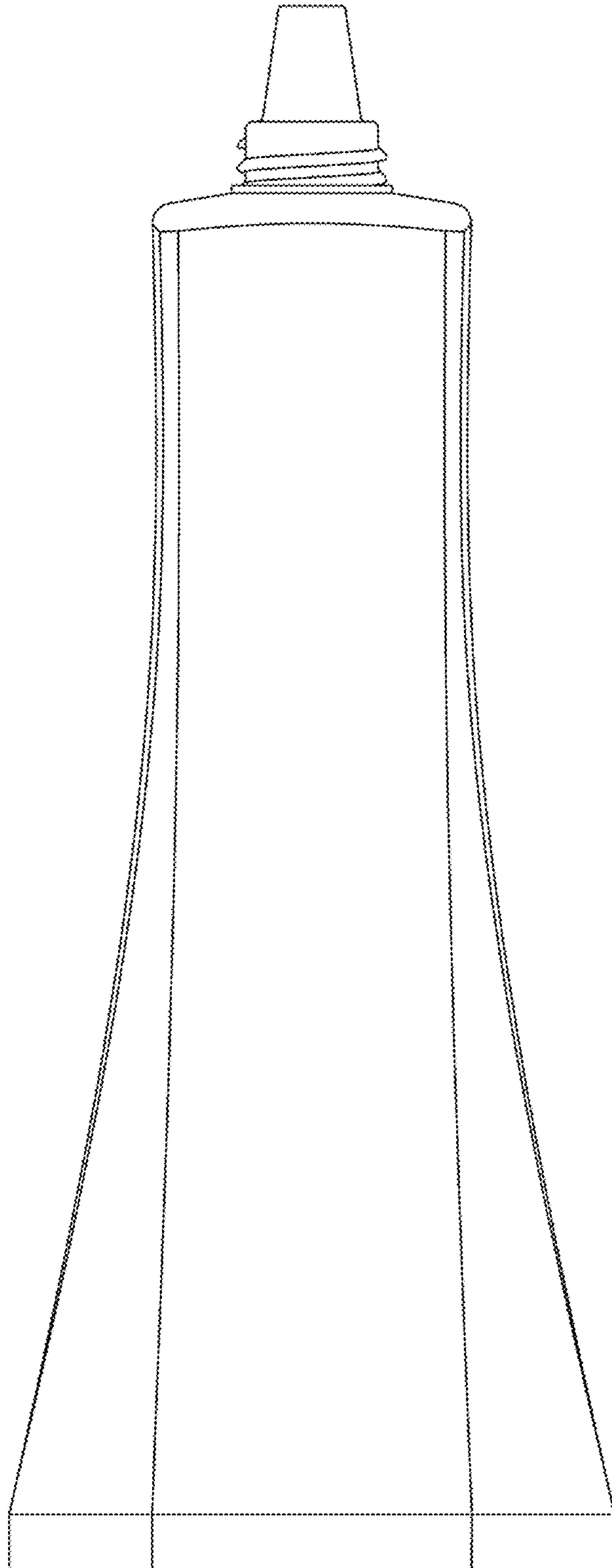
**1 Claim, 7 Drawing Sheets**



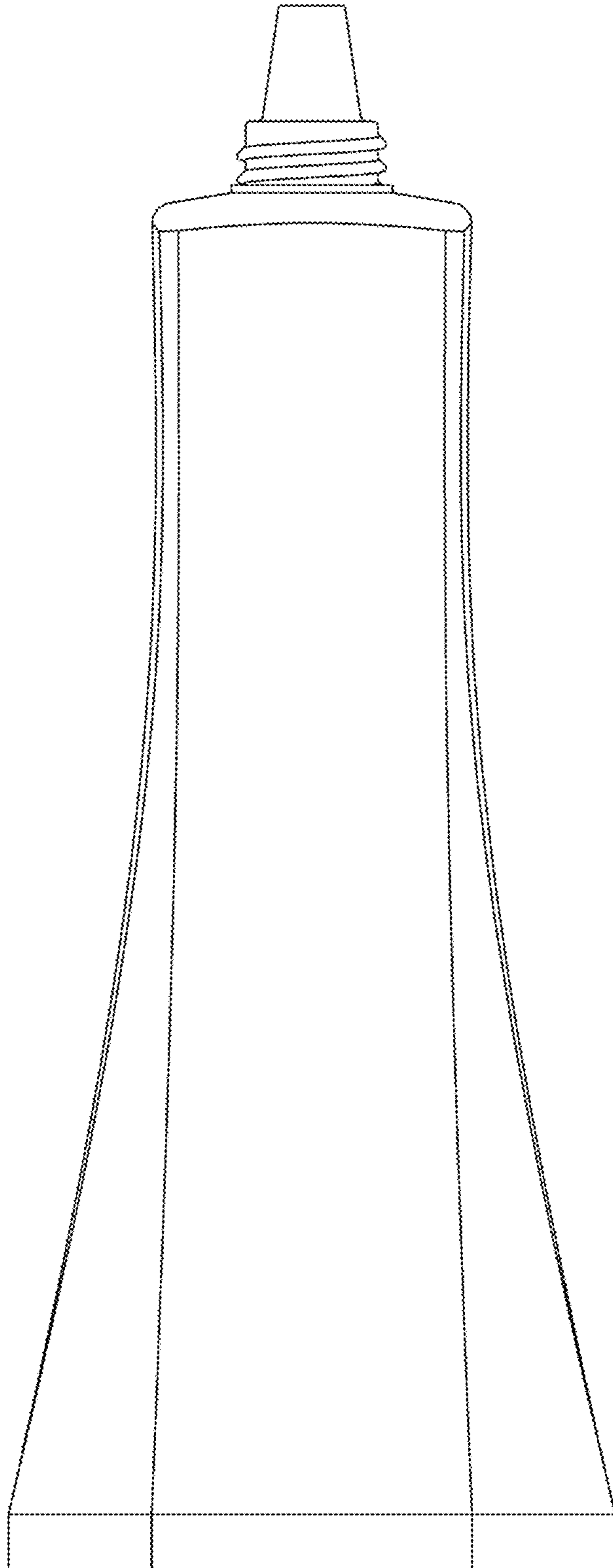
1.1



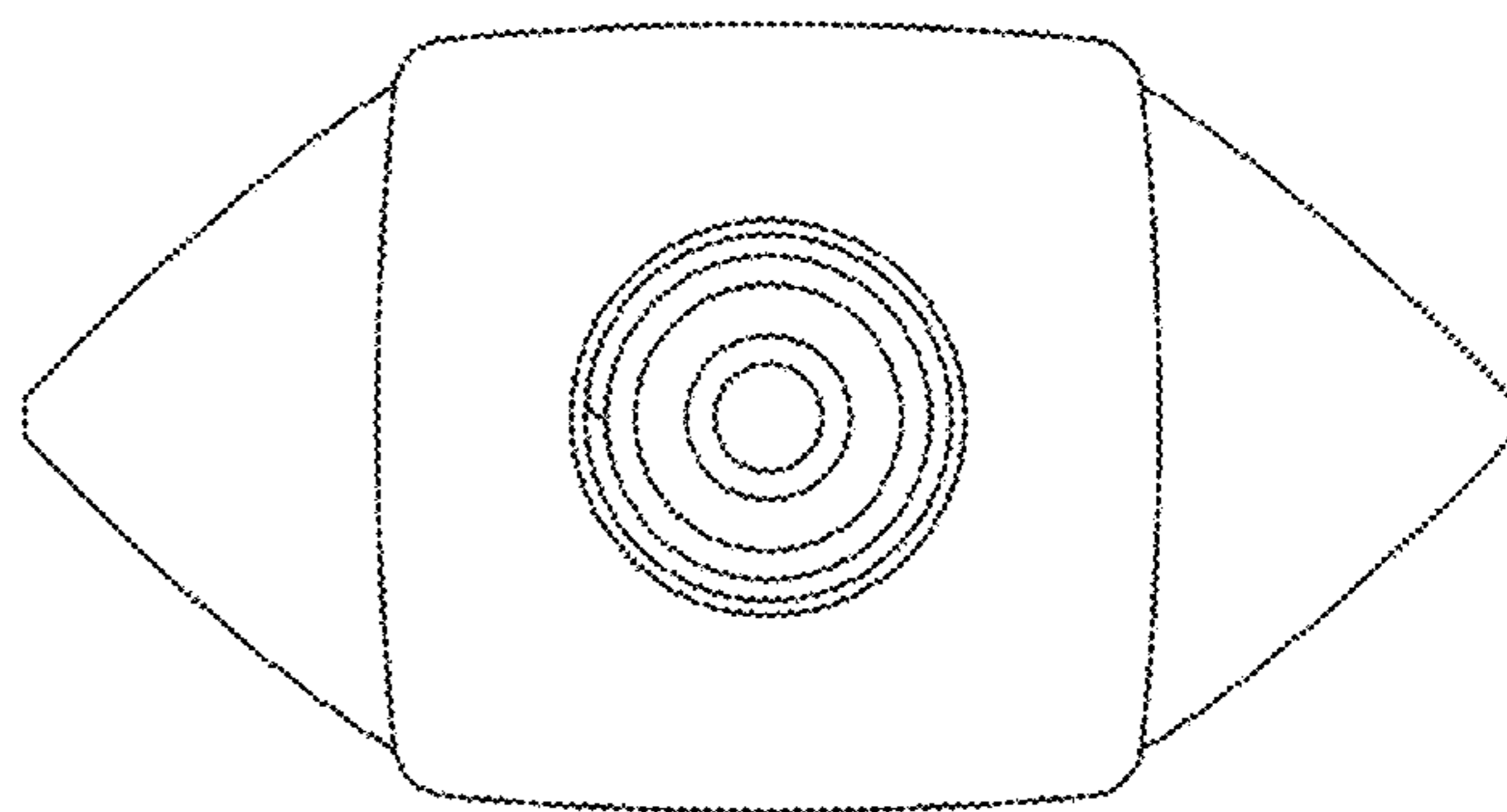
1.2



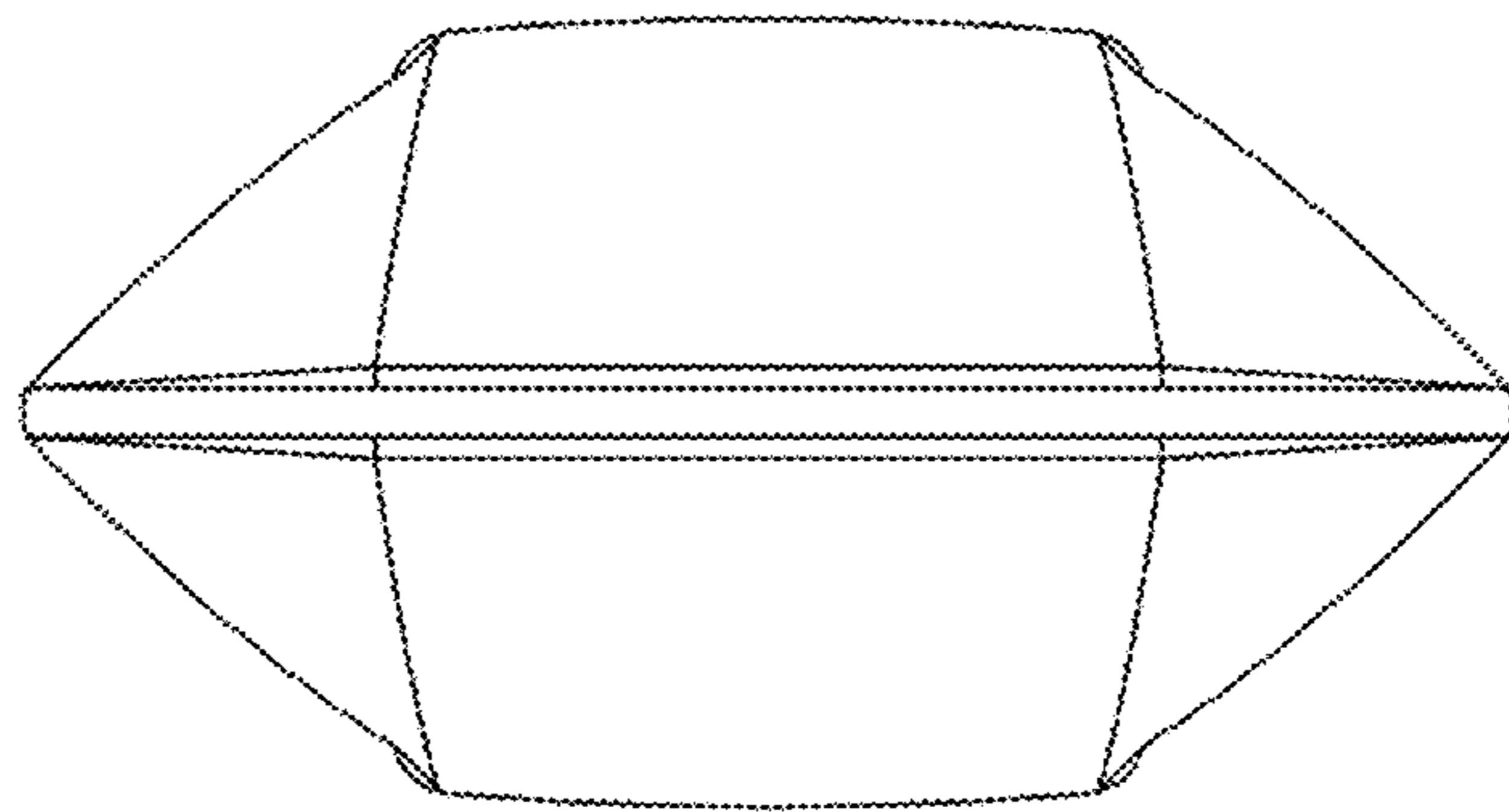
1.3



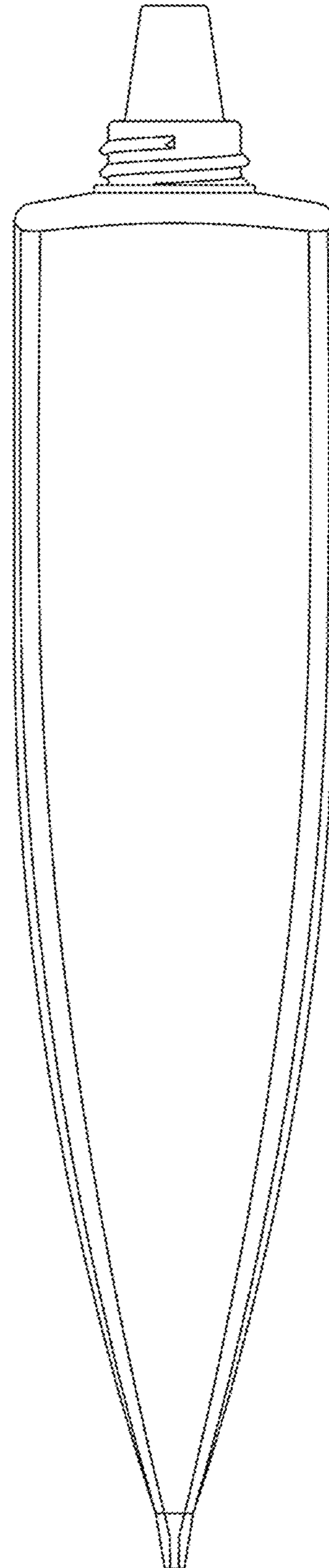
1.4



1.5



1.6



1.7

