



US00D981240S

(12) **United States Design Patent**  
**Hsu**

(10) **Patent No.:** **US D981,240 S**  
(45) **Date of Patent:** **\*\* Mar. 21, 2023**

- (54) **CANDLE JAR**
- (71) Applicant: **Uni President Glass Industrial Co., Ltd., Tainan (TW)**
- (72) Inventor: **Chun-Chi Hsu, Tainan (TW)**
- (73) Assignee: **Uni President Glass Industrial Co., Ltd., Tainan (TW)**
- (\*\*) Term: **15 Years**

6,431,389 B1 \* 8/2002 Jerstroem ..... A47J 36/02  
220/574.3  
D474,672 S \* 5/2003 Fields ..... D8/310  
D565,356 S \* 4/2008 Mellen ..... D7/376  
D599,169 S \* 9/2009 Stalions ..... D7/510  
D606,405 S \* 12/2009 Takata ..... D9/500  
D613,291 S \* 4/2010 Carver ..... D14/218  
D628,443 S \* 12/2010 McTaggart ..... D7/545  
D651,865 S \* 1/2012 Smyers ..... D7/630  
D660,679 S \* 5/2012 Han ..... D8/310  
D689,730 S \* 9/2013 Goto ..... D7/354  
D723,418 S \* 3/2015 Thuma ..... D11/143

(Continued)

- (21) Appl. No.: **29/734,752**
- (22) Filed: **May 15, 2020**
- (51) **LOC (14) Cl.** ..... **09-03**
- (52) **U.S. Cl.**  
USPC ..... **D9/500**
- (58) **Field of Classification Search**  
USPC ..... D9/428, 500, 503, 516, 537, 538, 549,  
D9/716, 738, 772, 783; D7/354, 509,  
D7/523, 524, 533, 537, 554.2, 601, 602,  
D7/603, 605, 608, 610, 612, 619.1;  
D11/143, 144, 146, 152; D23/366;  
D26/6, 9, 10, 11, 12, 13, 14, 15, 16, 17,  
D26/18, 19, 20, 21, 22, 23, 96  
CPC . A01G 9/02; A01G 9/024; A47G 7/00; A47G  
19/22; A47G 19/2205; A47G 19/2255;  
A47G 19/23; B65D 1/10; B65D 1/265;  
B65D 13/02; B65D 2543/00509; B65D  
43/14; B65D 21/00; B65D 21/02; B65D  
23/10; B65D 23/102; B65D 25/00; B65D  
25/108; F21V 35/00; F21V 37/00; F21V  
33/0028; F23D 3/16; F21W 2121/00  
See application file for complete search history.

(56) **References Cited**  
U.S. PATENT DOCUMENTS

D383,646 S \* 9/1997 Jeppesen ..... D7/545  
D394,513 S \* 5/1998 Davis ..... D7/584  
D407,606 S \* 4/1999 Carrere ..... D7/603

**OTHER PUBLICATIONS**

Hausware Scented Candles, posted at Amazon.co.uk on Jan. 11, 2020, [site visited May 20, 2022]. Available from internet, URL: <<https://www.amazon.co.uk/dp/B083RDTGHS/>> (Year: 2020).\*

(Continued)

*Primary Examiner* — Andrew Kerr  
*Assistant Examiner* — Chariton Alexakis  
(74) *Attorney, Agent, or Firm* — Saidman DesignLaw Group, LLC

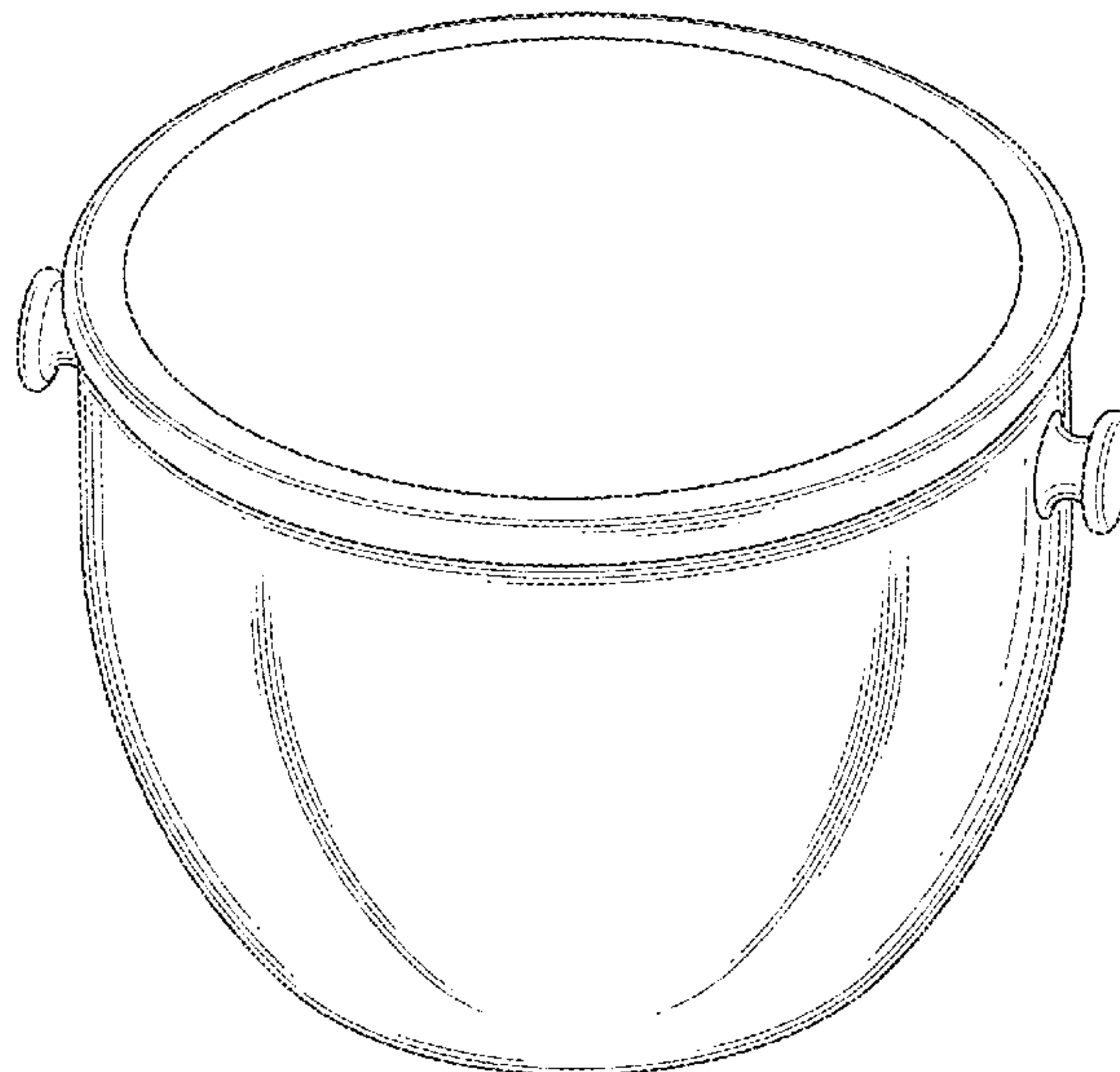
(57) **CLAIM**

The ornamental design for a candle jar, as shown and described.

**DESCRIPTION**

FIG. 1 is a top, front perspective view of a candle jar showing my new design;  
FIG. 2 is a front view thereof;  
FIG. 3 is a rear view thereof;  
FIG. 4 is a left side view thereof;  
FIG. 5 is a right side view thereof;  
FIG. 6 is a top view thereof; and,  
FIG. 7 is a bottom view thereof.  
The broken lines depict structure or features which form no part of the claimed design.

**1 Claim, 7 Drawing Sheets**



(56)

**References Cited**

U.S. PATENT DOCUMENTS

D732,898 S \* 6/2015 Katterheinrich ..... D7/603  
D750,420 S \* 3/2016 Hu ..... D7/354  
D866,389 S \* 11/2019 Yamane ..... D11/153  
D918,040 S \* 5/2021 Blomberg ..... D9/504  
D922,618 S \* 6/2021 Newson ..... D26/6

OTHER PUBLICATIONS

Chef Time Cabinet Knob, posted at Amazon.com on Apr. 4, 2020,  
[site visited May 20, 2022]Available from internet, URL: <<https://www.amazon.com/Kitchen-Cabinet-Brushed-Nickel-Silver/dp/B086S4L1NZ/>> (Year: 2020).\*

\* cited by examiner

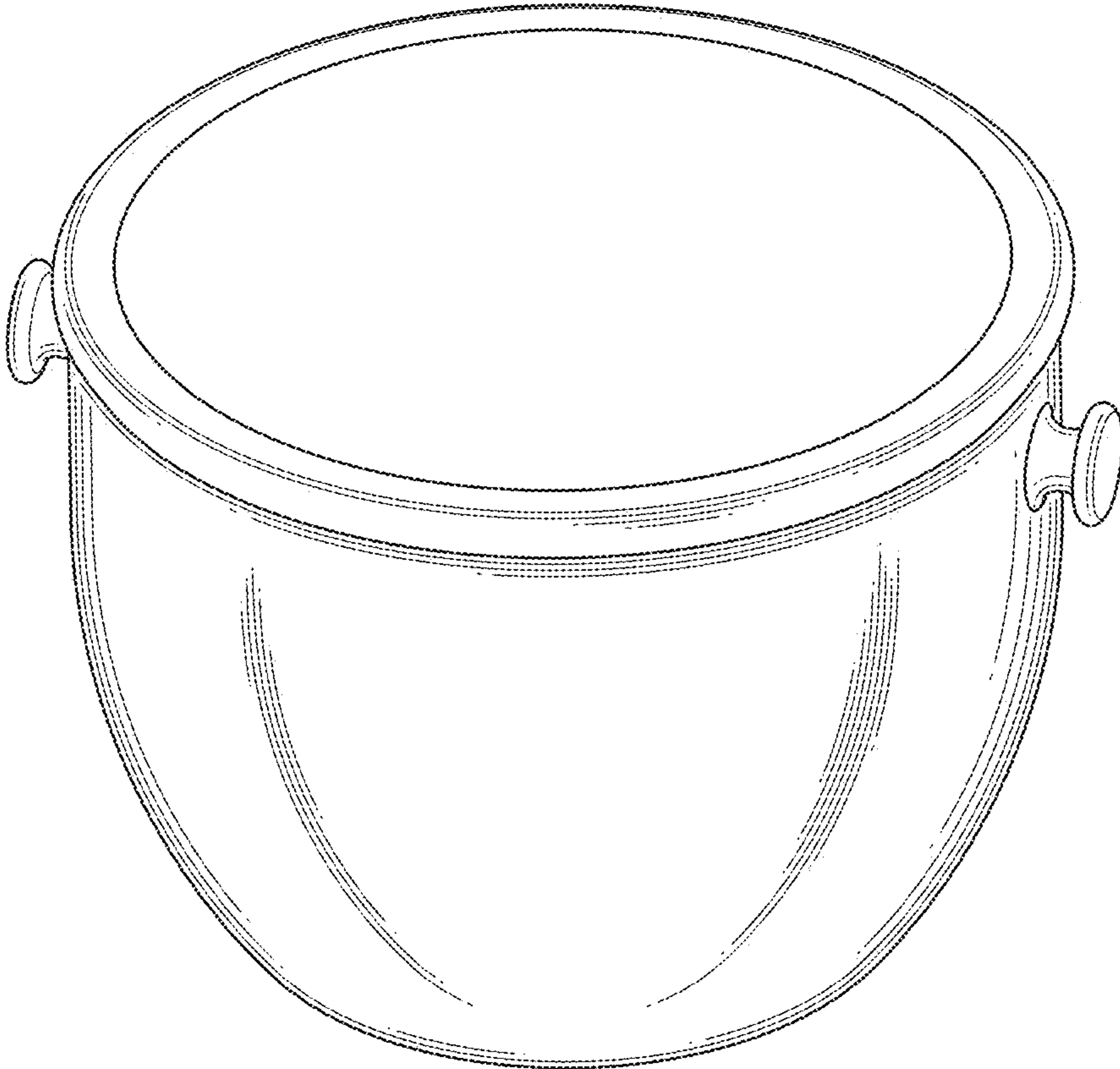


FIG. 1

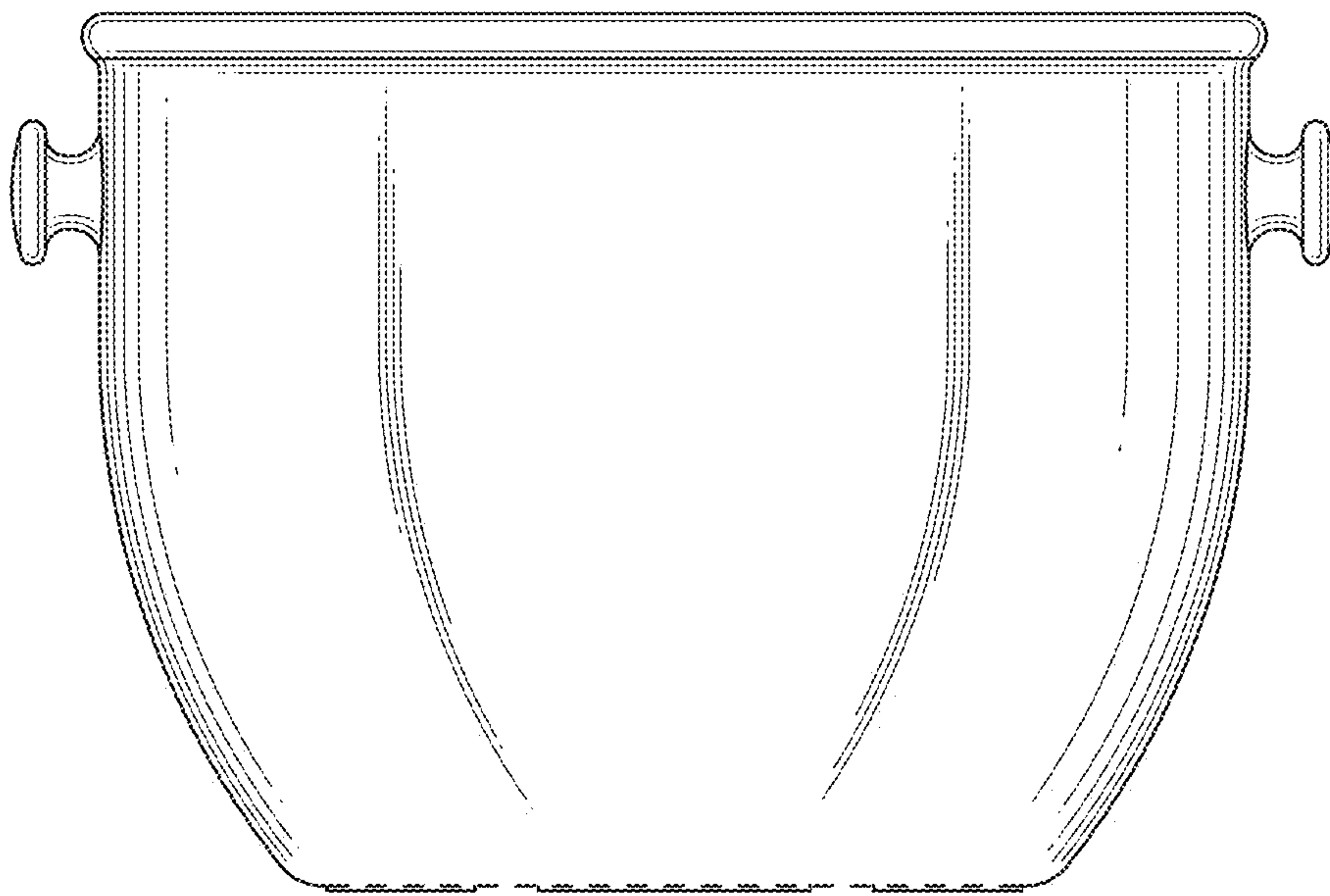


FIG. 2

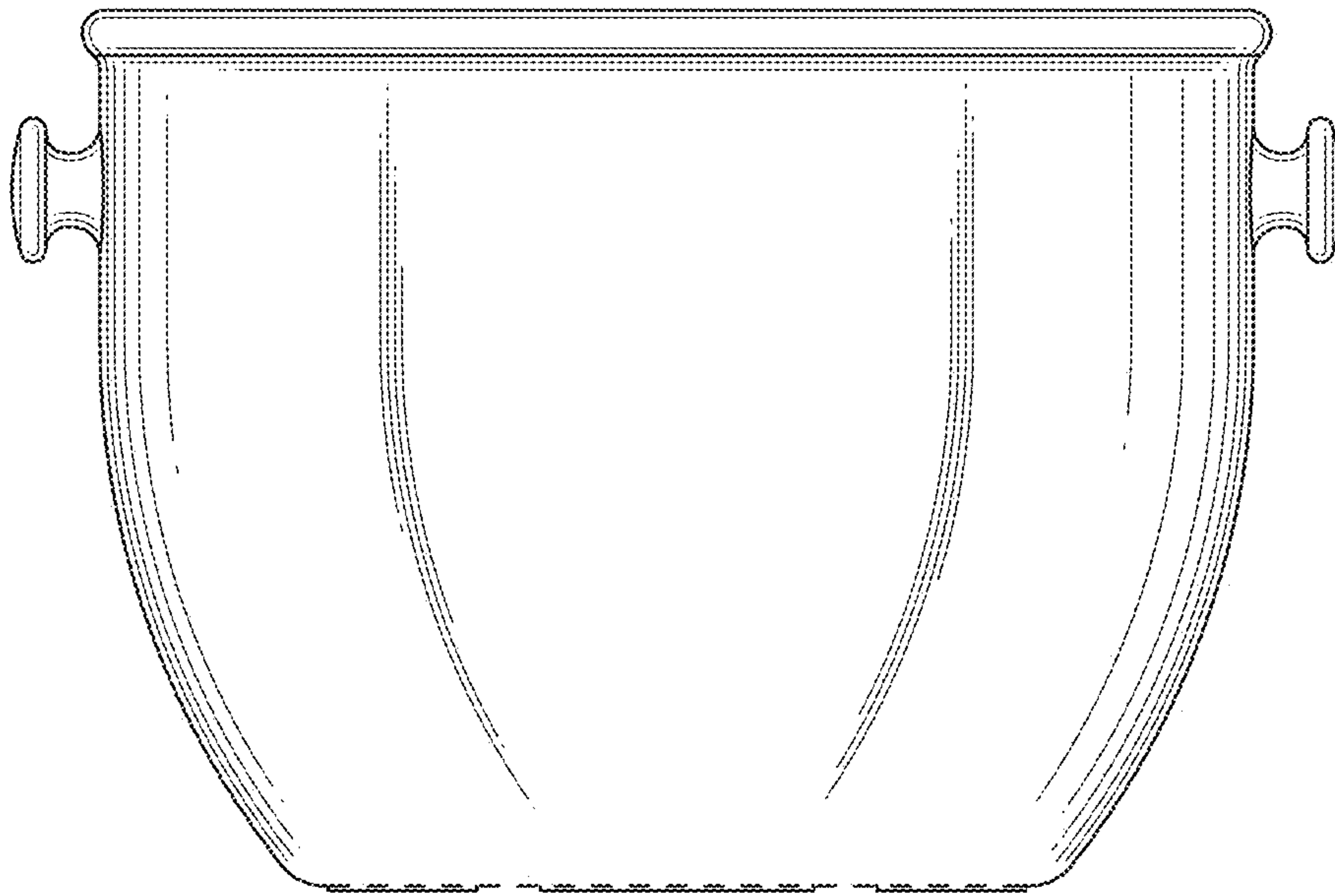


FIG. 3

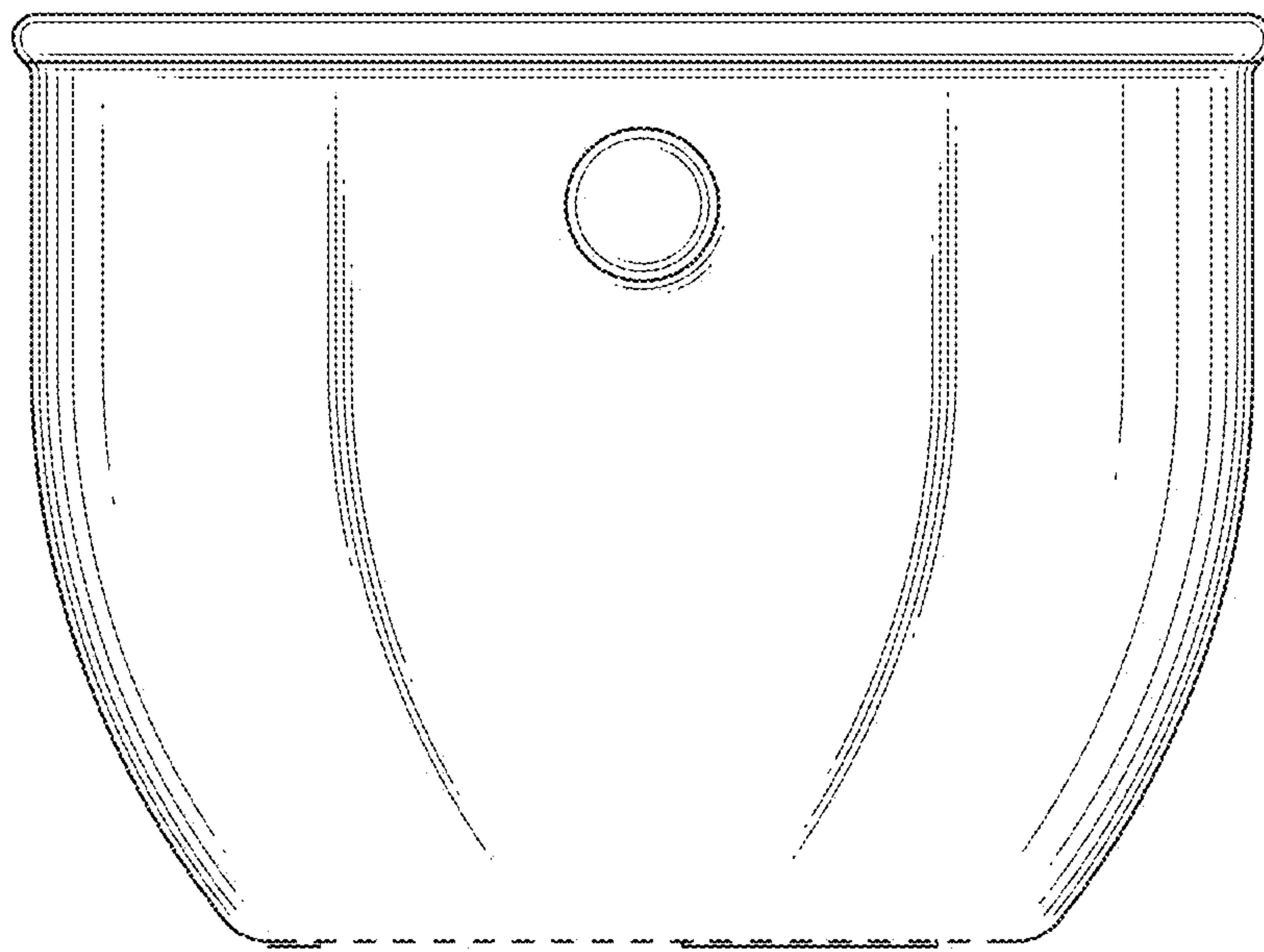


FIG. 4



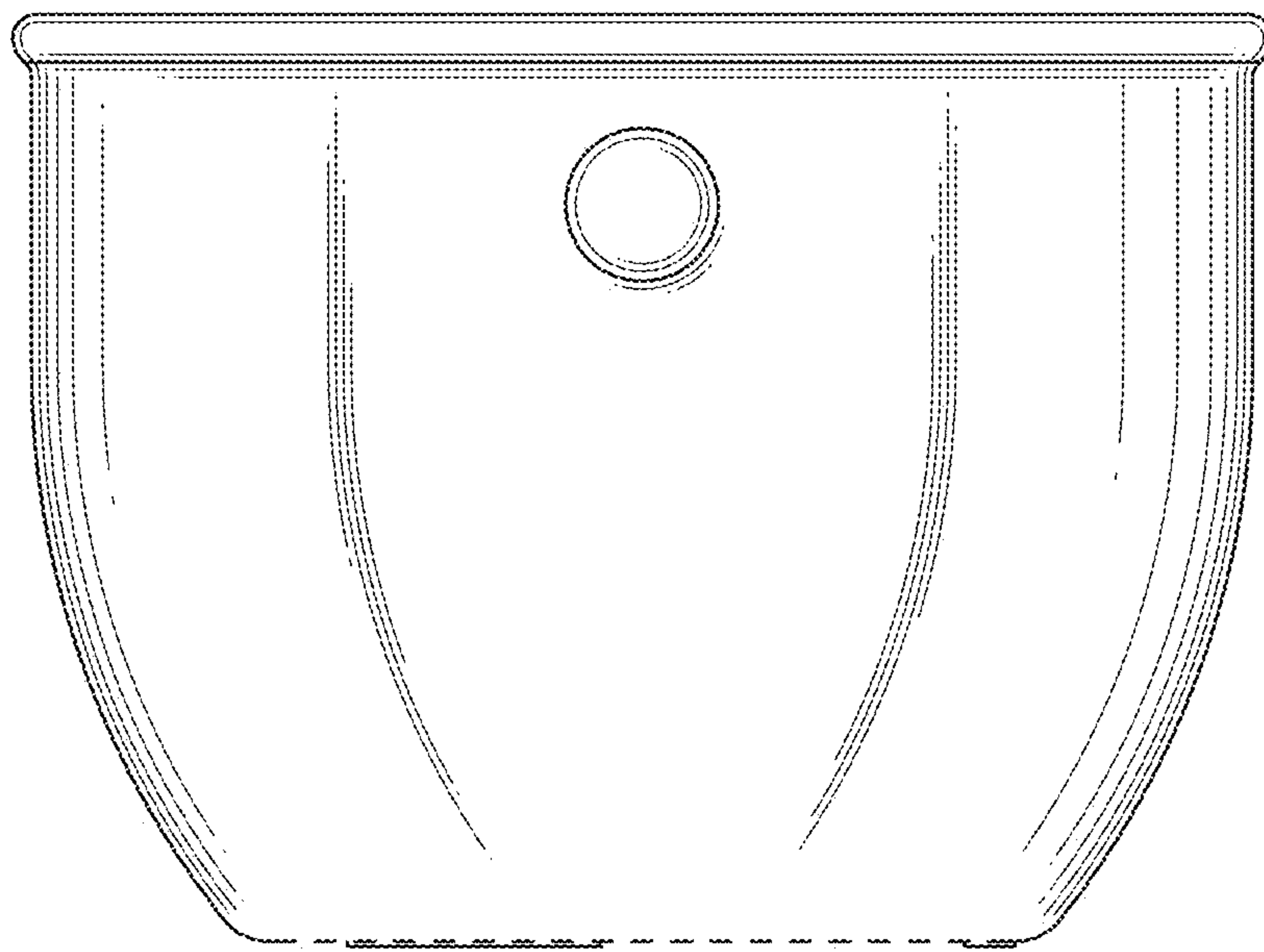


FIG. 5

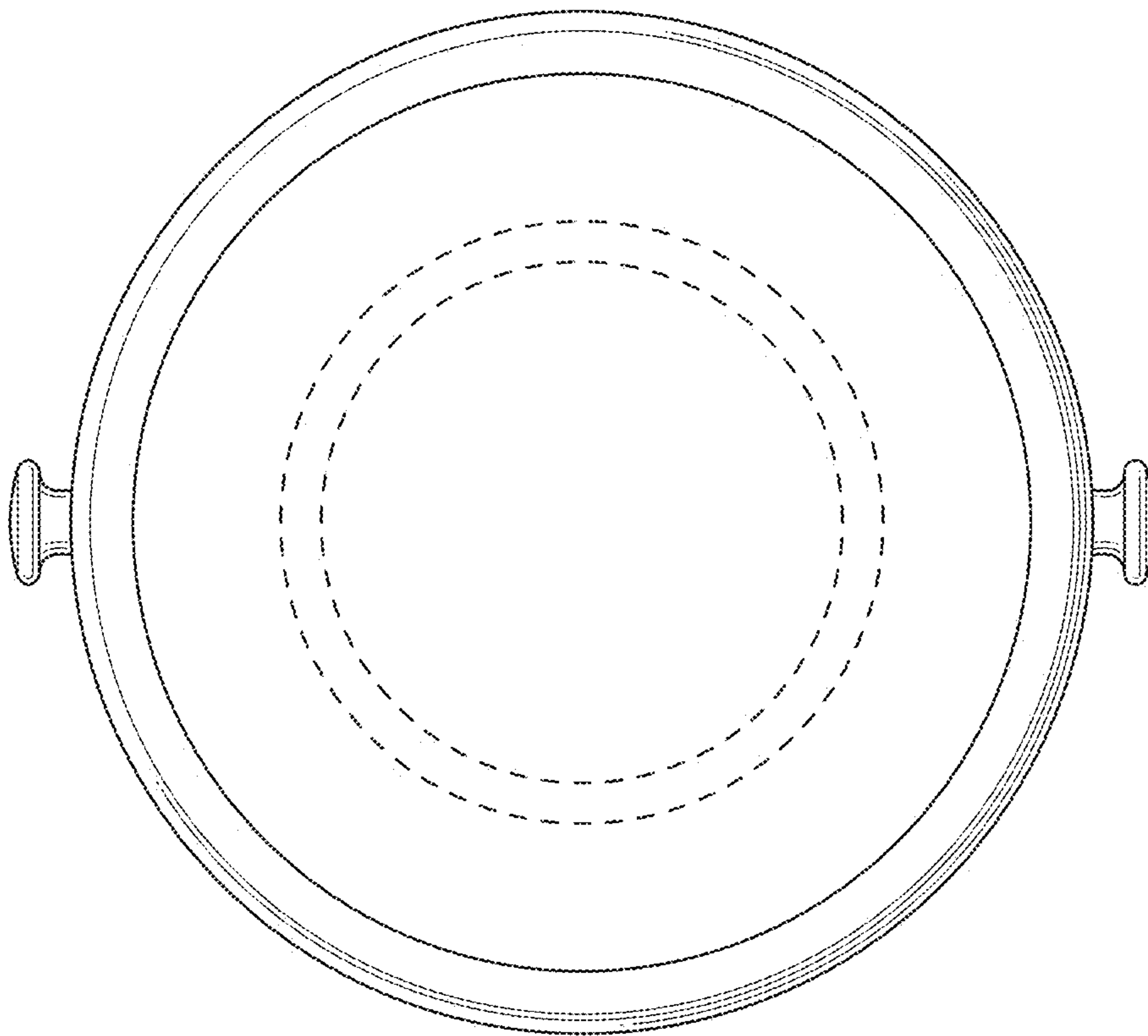


FIG. 6



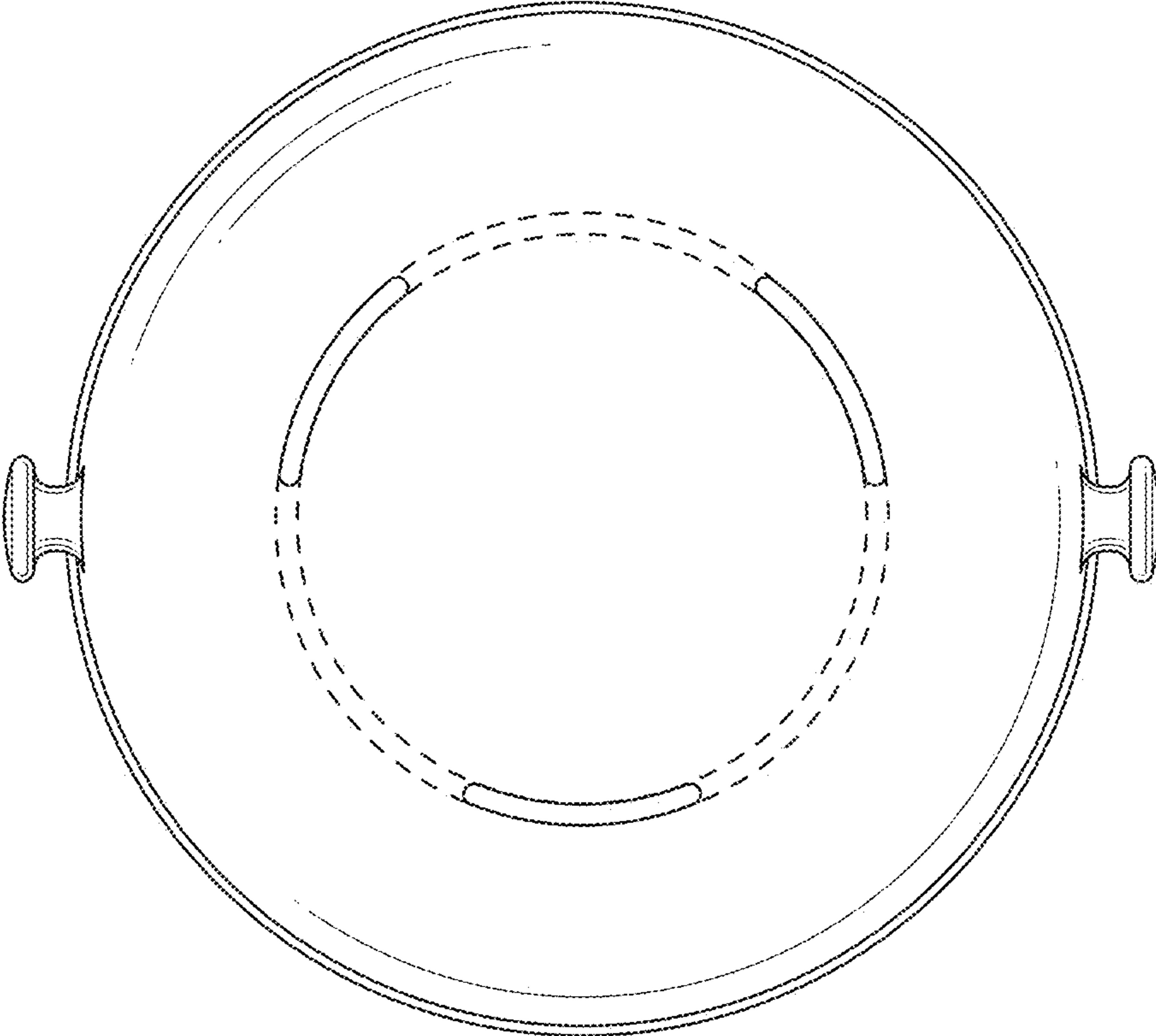


FIG. 7