



US00D981236S

(12) **United States Design Patent**  
**Chin**

(10) **Patent No.:** **US D981,236 S**

(45) **Date of Patent:** **\*\* Mar. 21, 2023**

(54) **BOTTLE HOLDER**

(71) Applicant: **Peter Chin**, Fontana, CA (US)

(72) Inventor: **Peter Chin**, Fontana, CA (US)

(\*\*) Term: **15 Years**

(21) Appl. No.: **29/809,513**

(22) Filed: **Sep. 28, 2021**

(51) **LOC (14) Cl.** ..... **09-07**

(52) **U.S. Cl.**  
USPC ..... **D9/455; D9/425**

(58) **Field of Classification Search**  
USPC ..... D9/424, 425, 455, 456, 719, 722, 736,  
D9/749, 751, 755, 756, 758, 759, 760,  
D9/761, 430, 432  
CPC .. B65D 1/34; B65D 2543/00194; B29C 51/00  
See application file for complete search history.

(56) **References Cited**

**U.S. PATENT DOCUMENTS**

D196,392 S *	9/1963	Politis .....	D9/425
3,443,741 A *	5/1969	Stockdale .....	B65D 77/2024 229/123.1
3,483,964 A *	12/1969	Muehling .....	B65D 77/2068 D9/425
4,280,648 A	7/1981	Boursier	
D282,908 S	3/1986	Panazzolo	
D283,676 S	5/1986	Kochling	
D285,514 S *	9/1986	Ritman .....	D9/425
D288,055 S *	2/1987	Alexander .....	D7/354
D317,567 S *	6/1991	Lane, Sr. ....	D9/425
5,083,699 A *	1/1992	Bulcher .....	B65D 1/34 229/125.17
D341,057 S *	11/1993	Lundberg .....	D7/354
D384,275 S	9/1997	DuBois et al.	
D392,884 S *	3/1998	Hayes .....	D9/431
D418,750 S *	1/2000	Blin .....	D9/430
D552,423 S *	10/2007	Friedland .....	D7/545
D578,880 S *	10/2008	Friedland .....	D9/425

D578,882 S *	10/2008	Friedland .....	D9/425
D584,945 S *	1/2009	Friedland .....	D9/425
D588,450 S *	3/2009	Snedden .....	D9/424
D610,448 S *	2/2010	Drozek .....	D9/424
D640,921 S *	7/2011	Caldwell .....	D9/430
D642,907 S *	8/2011	Samartgis .....	D9/424
D645,737 S *	9/2011	Oakes .....	D9/425
D683,623 S *	6/2013	Chen .....	D9/426
D684,466 S *	6/2013	Wichmann .....	D9/426
D688,126 S *	8/2013	Snedden .....	D9/452
D695,106 S *	12/2013	Yang .....	D9/425
D706,622 S *	6/2014	Bischoff .....	D9/425
D731,304 S *	6/2015	Bischoff .....	D9/425
D738,718 S *	9/2015	Yang .....	D9/425

(Continued)

**OTHER PUBLICATIONS**

SpaceBetweenYourJeep, available Aug. 5, 2020, [online], [site visited Jan. 5, 2023]. Available from internet, URL: <https://motobilt.com/blogs/first-blog/space-between-your-jeep-jl-jt-cup-holders> (Year: 2020).\*

*Primary Examiner* — W. A. Teddy Falloway

*Assistant Examiner* — Amanda K Birdwell

(74) *Attorney, Agent, or Firm* — Clement Cheng

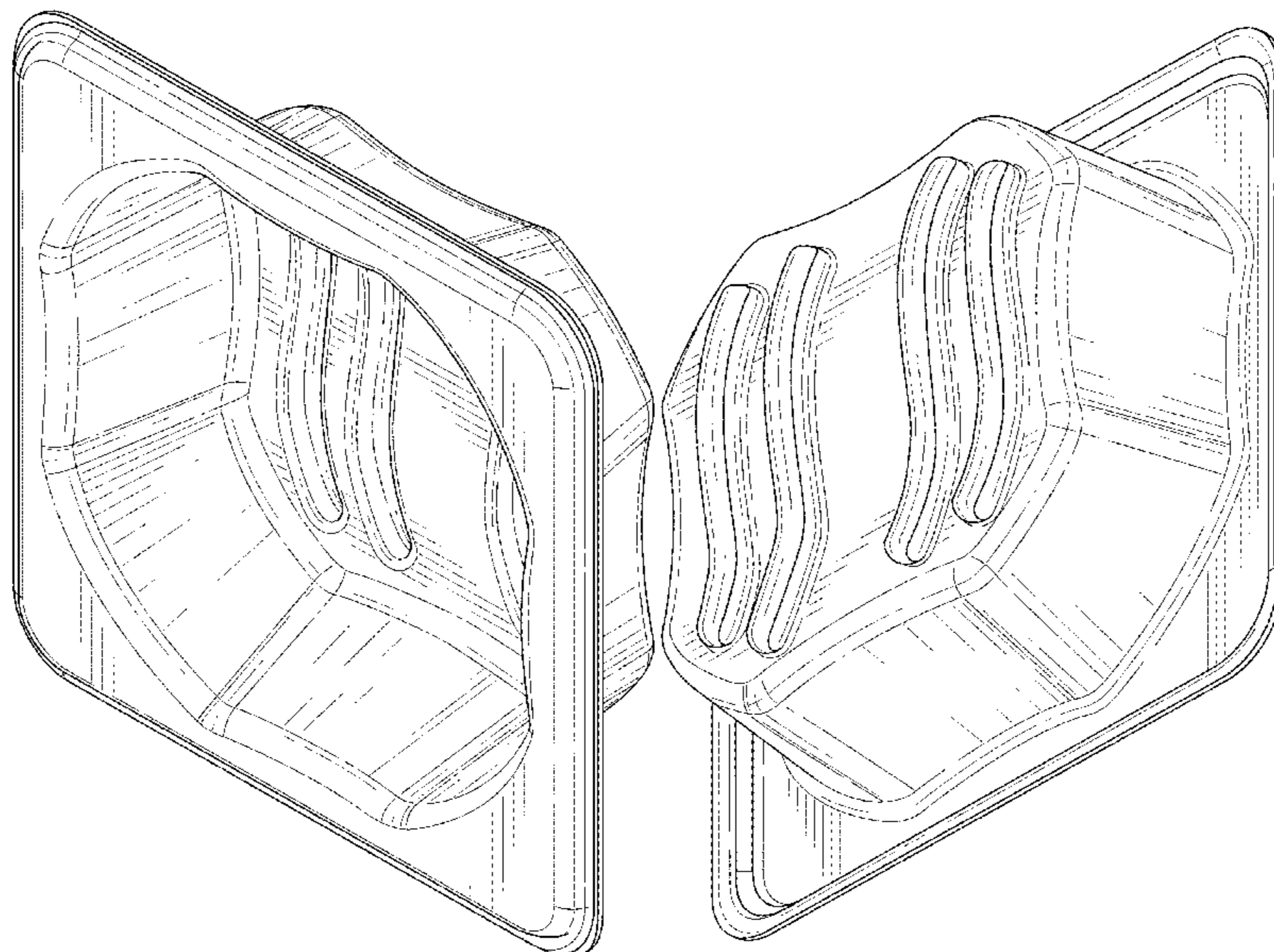
(57) **CLAIM**

The ornamental design for a bottle holder, as shown and described.

**DESCRIPTION**

FIG. 1 is a top perspective view.  
FIG. 2 is a bottom perspective view.  
FIG. 3 is a front view.  
FIG. 4 is a back side view.  
FIG. 5 is a right view.  
FIG. 6 is a left view;  
FIG. 7 is a top view; and,  
FIG. 8 is a bottom view.

**1 Claim, 6 Drawing Sheets**



(56)

**References Cited**

U.S. PATENT DOCUMENTS

D741,166	S *	10/2015	Tyberghein .....	D9/425
D774,901	S *	12/2016	Geheran .....	D9/423
D789,195	S *	6/2017	Pickard .....	D9/425
D793,817	S *	8/2017	Chen .....	D7/602
D797,551	S *	9/2017	Chatterton .....	D9/425
D798,143	S *	9/2017	Chatterton .....	D9/425
D811,212	S *	2/2018	Pickard .....	D9/425
D814,293	S *	4/2018	Tyberghein .....	D9/425
D831,502	S	10/2018	Borg et al.	
D856,799	S *	8/2019	Dominion .....	D9/425
D874,263	S *	2/2020	Wouters .....	D9/426
10,611,548	B2 *	4/2020	Pickard .....	B65D 1/40
D886,589	S *	6/2020	Takemura .....	D9/425
D886,591	S *	6/2020	Dominion .....	D9/425
D904,877	S *	12/2020	Bontrager .....	D9/425
D972,929	S *	12/2022	Marcoux .....	D9/414
2004/0144781	A1 *	7/2004	Dees .....	B65D 43/0204 220/4.24
2005/0012009	A1	1/2005	Sweeney	
2007/0012708	A1 *	1/2007	Send .....	B29C 66/8322 220/784
2009/0045190	A1 *	2/2009	Gutierrez .....	H05B 6/6494 219/730
2015/0001127	A1 *	1/2015	Nelson .....	B65B 5/026 264/161
2020/0407920	A1 *	12/2020	Chung .....	B65D 1/42

\* cited by examiner

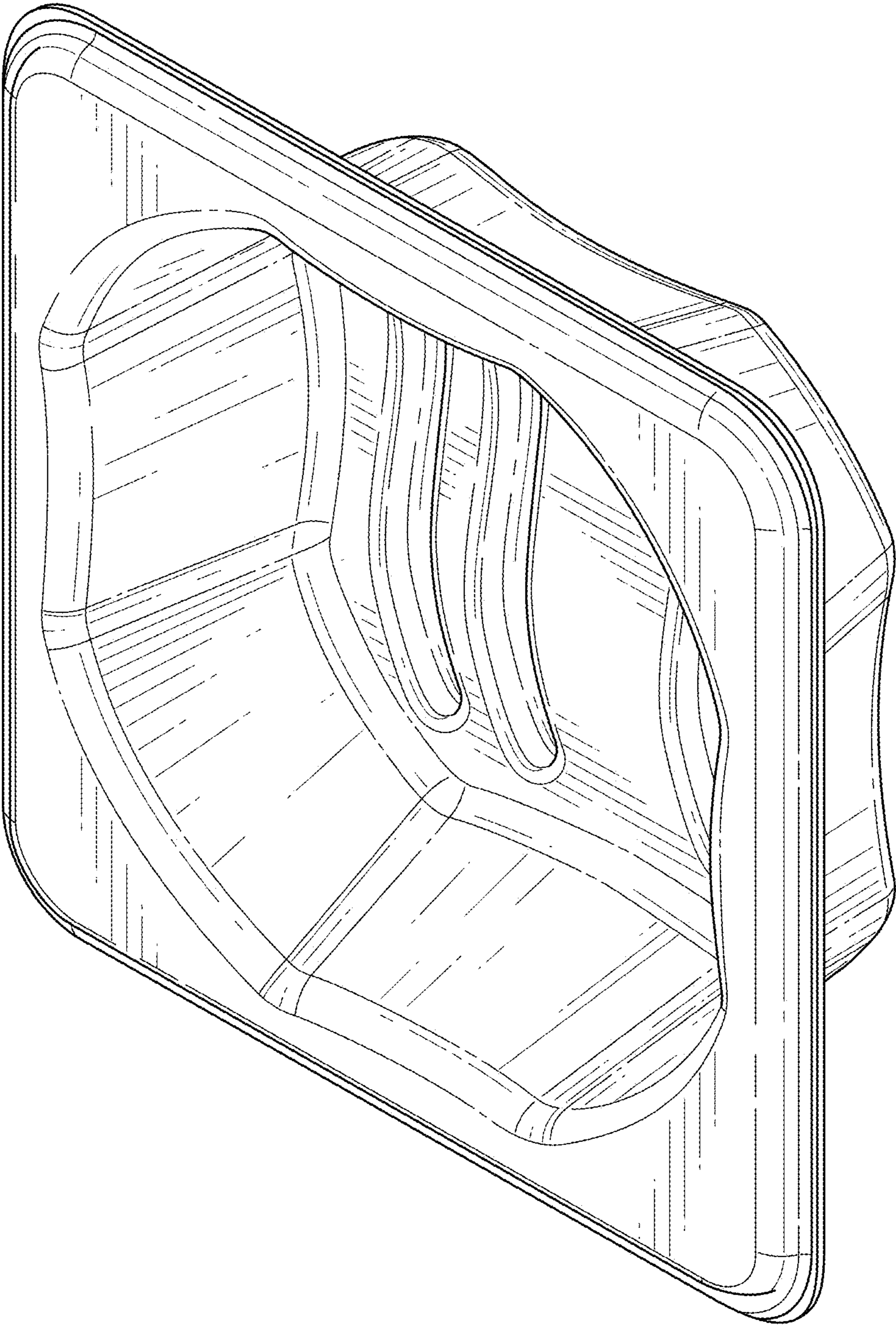


FIG. 1

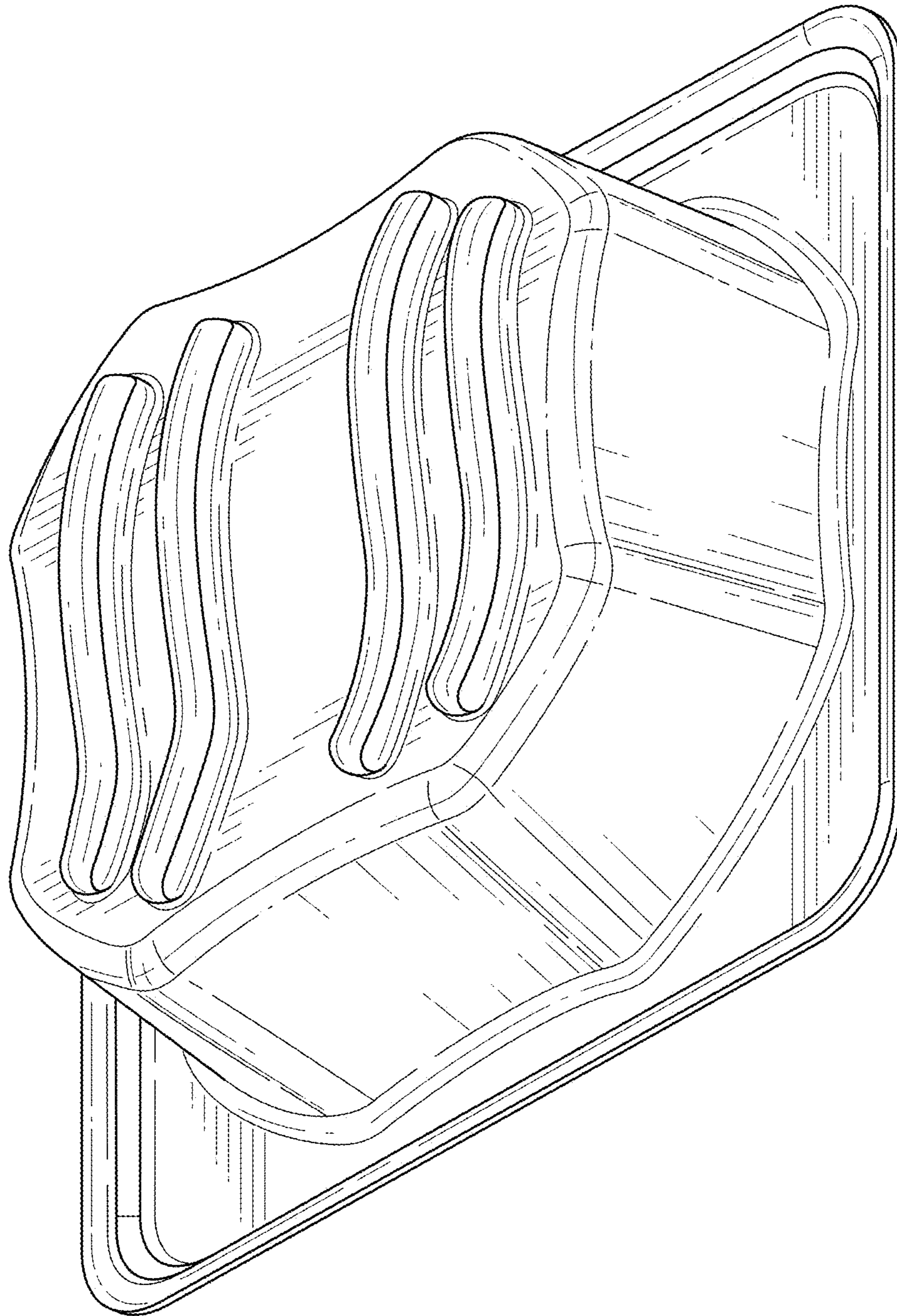


FIG. 2

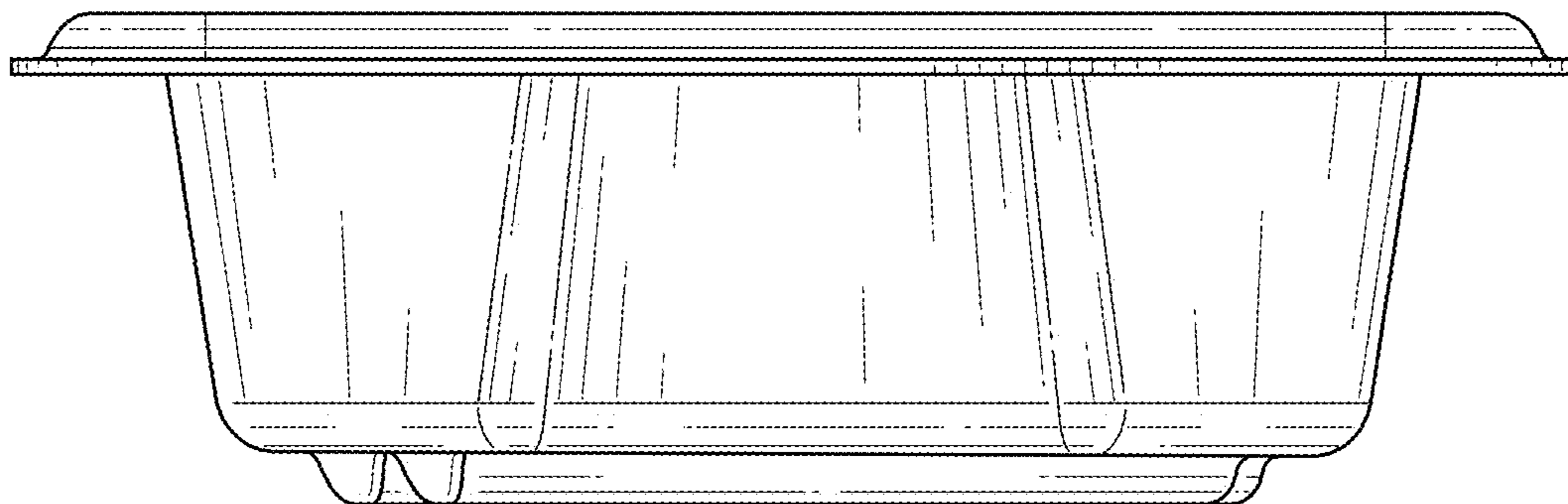


FIG. 3

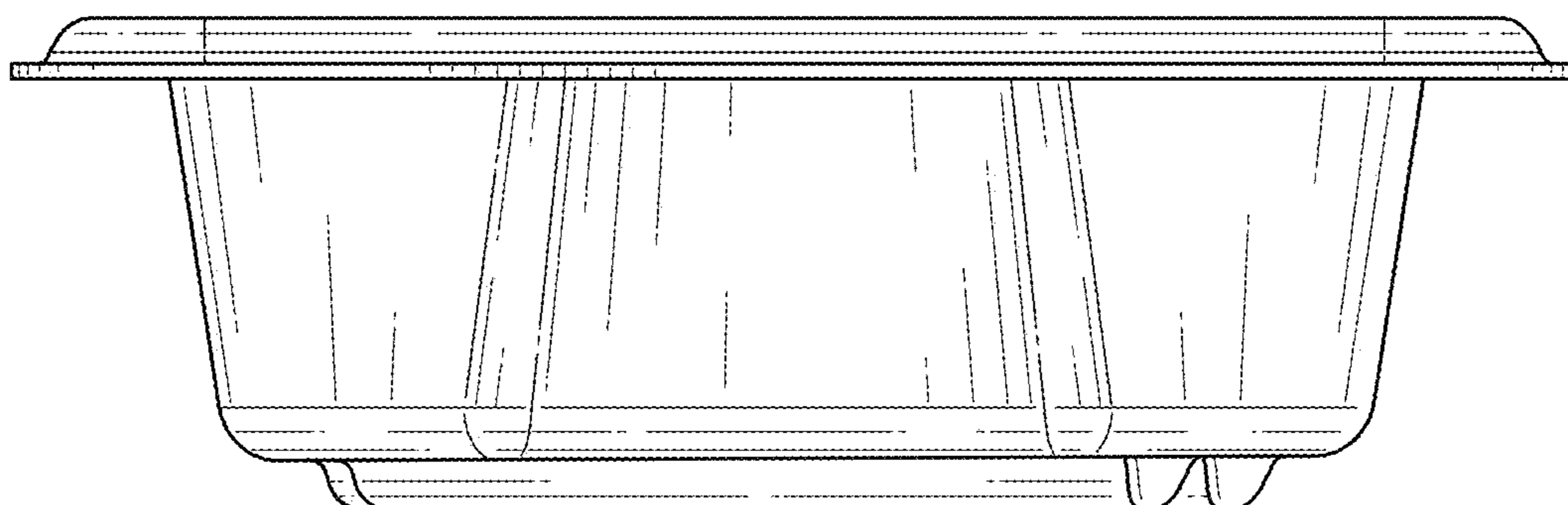


FIG. 4

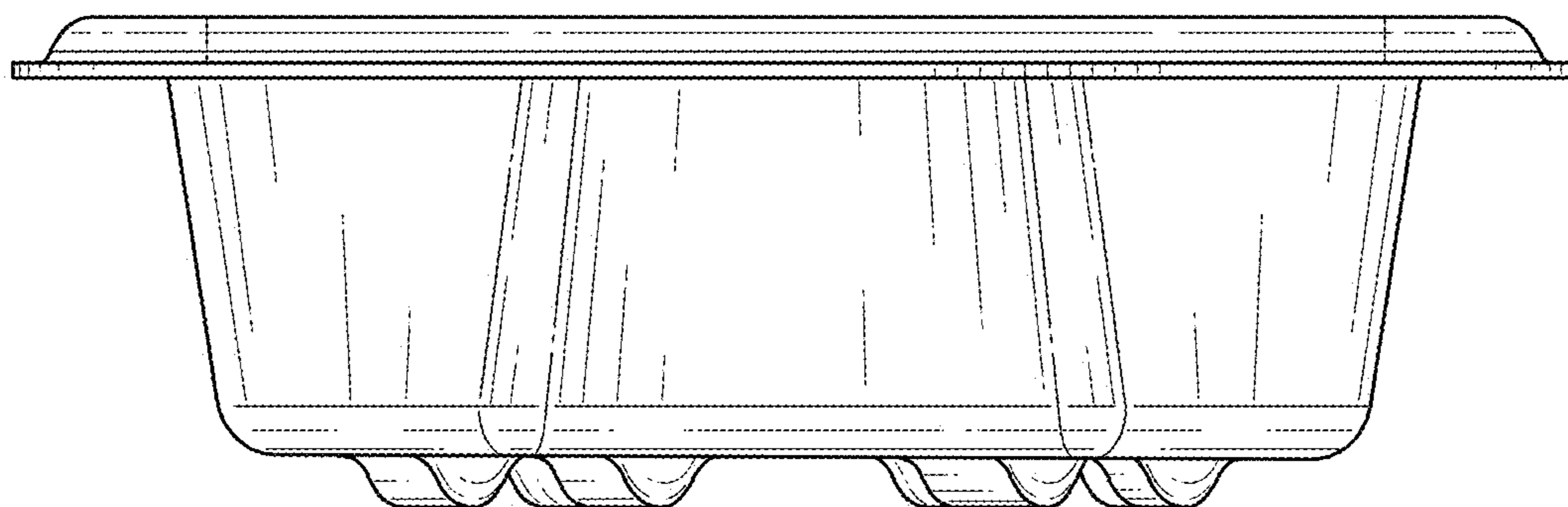


FIG. 5

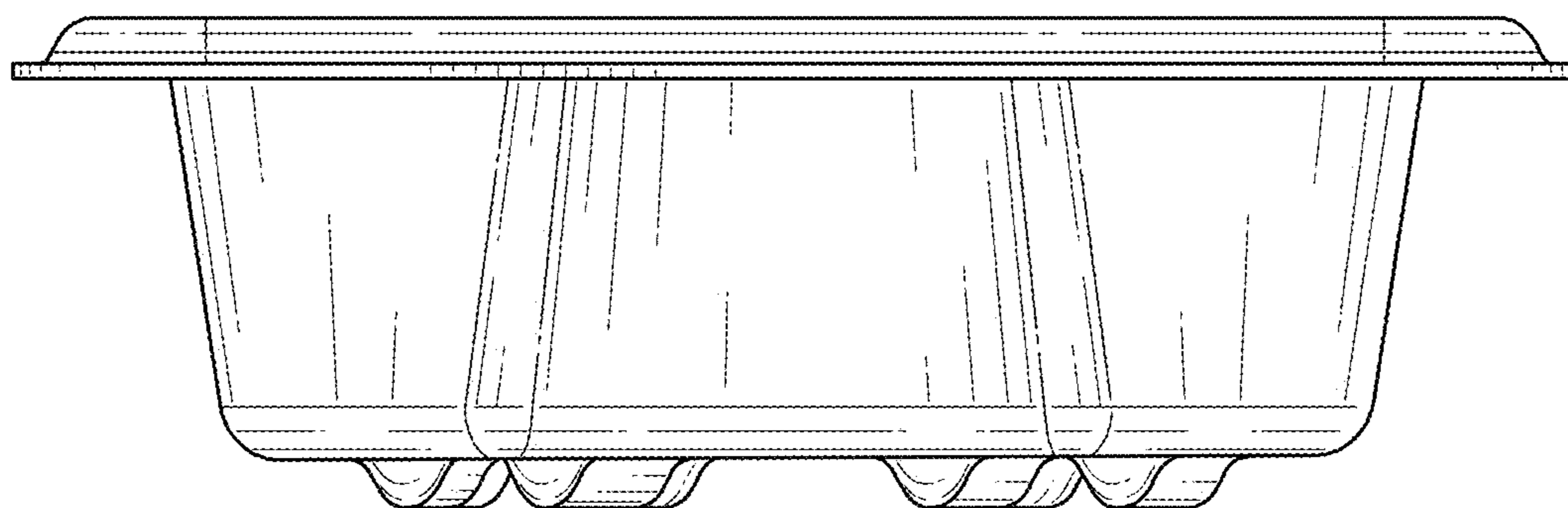


FIG. 6

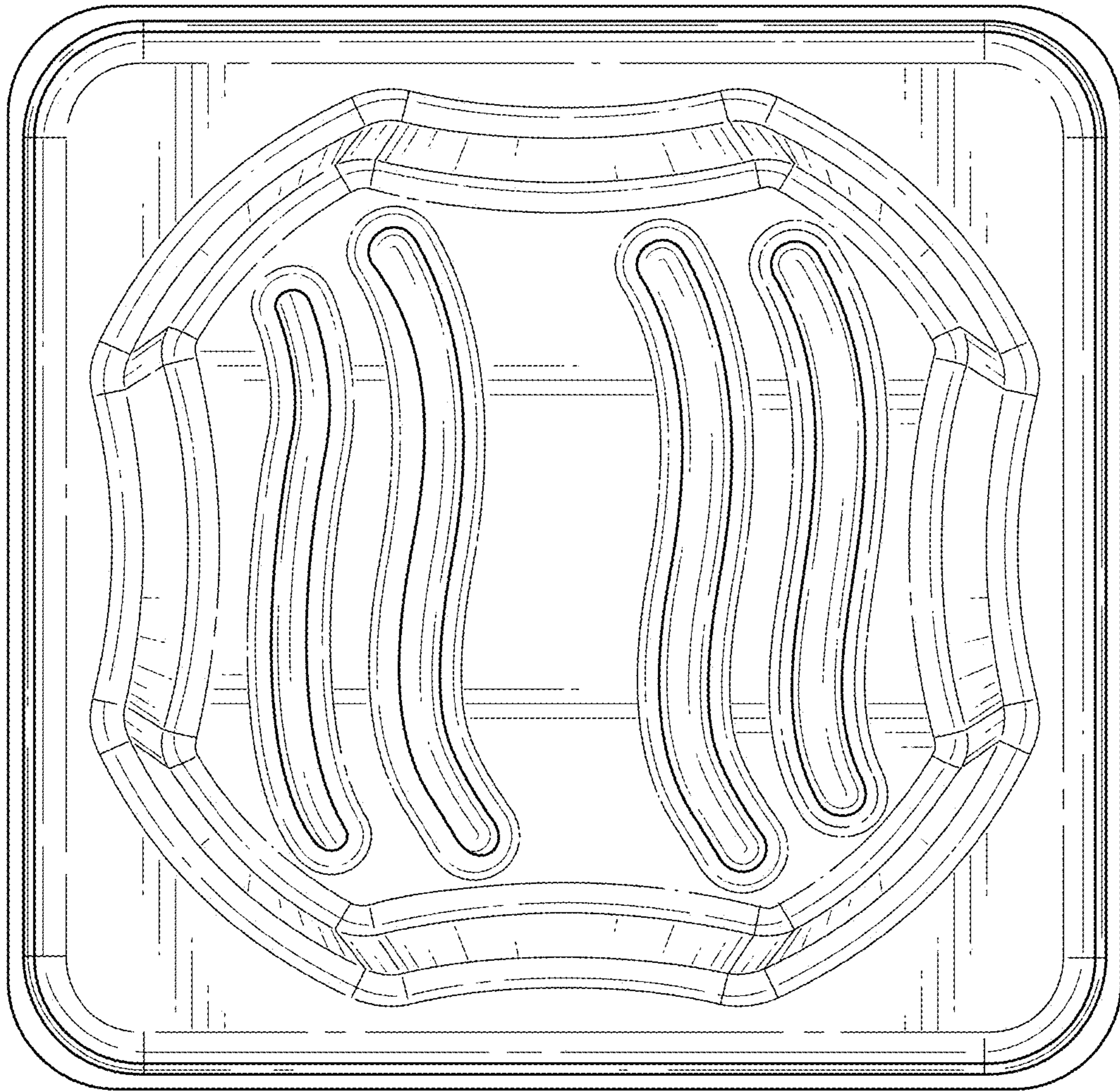


FIG. 7

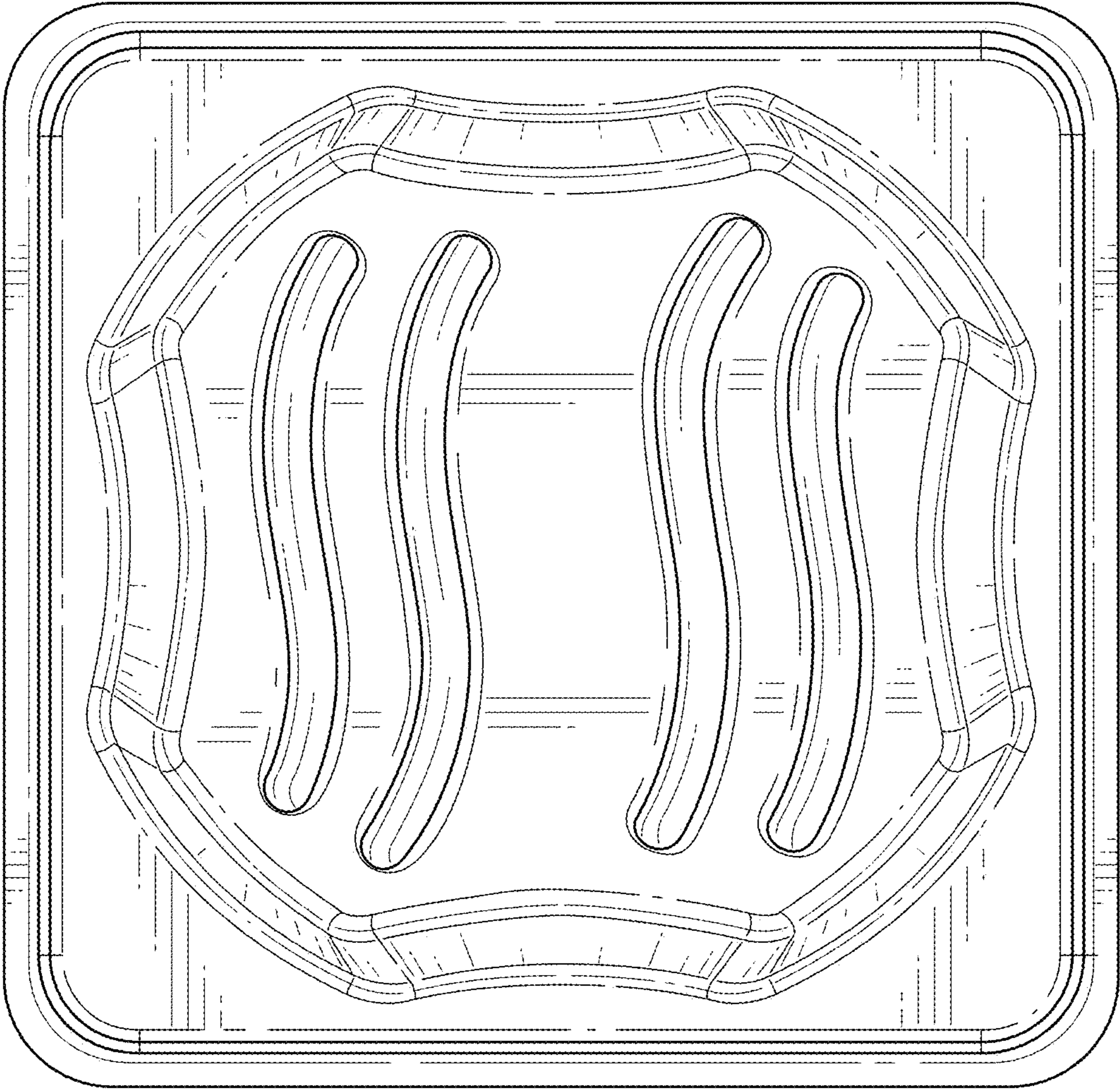


FIG. 8