



US00D981235S

(12) **United States Design Patent**
Hendricks

(10) **Patent No.:** **US D981,235 S**
(45) **Date of Patent:** **** Mar. 21, 2023**

(54) **SPRAY CLIP**

(71) Applicant: **Dean Hendricks**, Sorrento, FL (US)

(72) Inventor: **Dean Hendricks**, Sorrento, FL (US)

(**) Term: **15 Years**

(21) Appl. No.: **29/808,743**

(22) Filed: **Sep. 22, 2021**

(51) **LOC (14) Cl.** **09-07**

(52) **U.S. Cl.**
USPC **D9/455**

(58) **Field of Classification Search**
USPC D7/387, 391, 392, 392.1, 396.2, 393,
D7/395; D9/434-436, 440, 443, 447,
D9/499, 455, 446; D8/300, 303, 306,
D8/307, 311, 312, 315, 317, 321
CPC .. A45F 3/16; B65D 41/56; B65D 3/24; B65D
83/205; A47G 19/2272

See application file for complete search history.

(56) **References Cited**

U.S. PATENT DOCUMENTS

D110,559 S	*	7/1938	Bernhardt	D7/392
D141,351 S	*	5/1945	Bernhardt	D7/392
D142,245 S	*	8/1945	Ramsthal	D8/DIG. 3
D143,028 S	*	11/1945	Reynolds	D8/DIG. 4
D159,596 S	*	8/1950	Bushman	D9/443
D209,485 S	*	12/1967	Muller	D9/443
D384,243 S	*	9/1997	Nicollet	D7/395
D449,993 S	*	11/2001	Schumann	D9/434
D475,887 S	*	6/2003	Vostrejs	D7/398
D505,328 S	*	5/2005	Chou	D9/455
D508,200 S	*	8/2005	Cagle	D9/434
D562,063 S	*	2/2008	Munari	D7/395
D564,303 S	*	3/2008	Zell	D7/619.1
D625,137 S	*	10/2010	Sabadicci	D7/300

D652,685 S	*	1/2012	Carter	D9/434
D654,307 S	*	2/2012	Loaiza	D7/395
D686,874 S	*	7/2013	Rae	D7/395
D693,171 S	*	11/2013	Munari	D7/395
D729,002 S	*	5/2015	Barberi	D7/395
D746,679 S	*	1/2016	Jasso Gomez	D9/443
D831,418 S	*	10/2018	Kastner	D7/395
D935,839 S	*	11/2021	Spivey	D7/387
D958,593 S	*	7/2022	Bahremand	D7/394

OTHER PUBLICATIONS

Amazon. Pot Handle Universal Kitchen Accessories Long Anti Scalding Ergonomic Cookware Dismountable Removable Pan Bake-lite Grip Durable Household Replacement. Sep. 20, 2019. <https://www.amazon.com/Universal-Accessories-Ergonomic-Dismountable-Replacement/dp/B07Y5SS8VX> (Year: 2019).*

(Continued)

Primary Examiner — Darcey E Gottschalk
(74) *Attorney, Agent, or Firm* — Jason T. Daniel, Esq.; Daniel Law Offices, P.A.

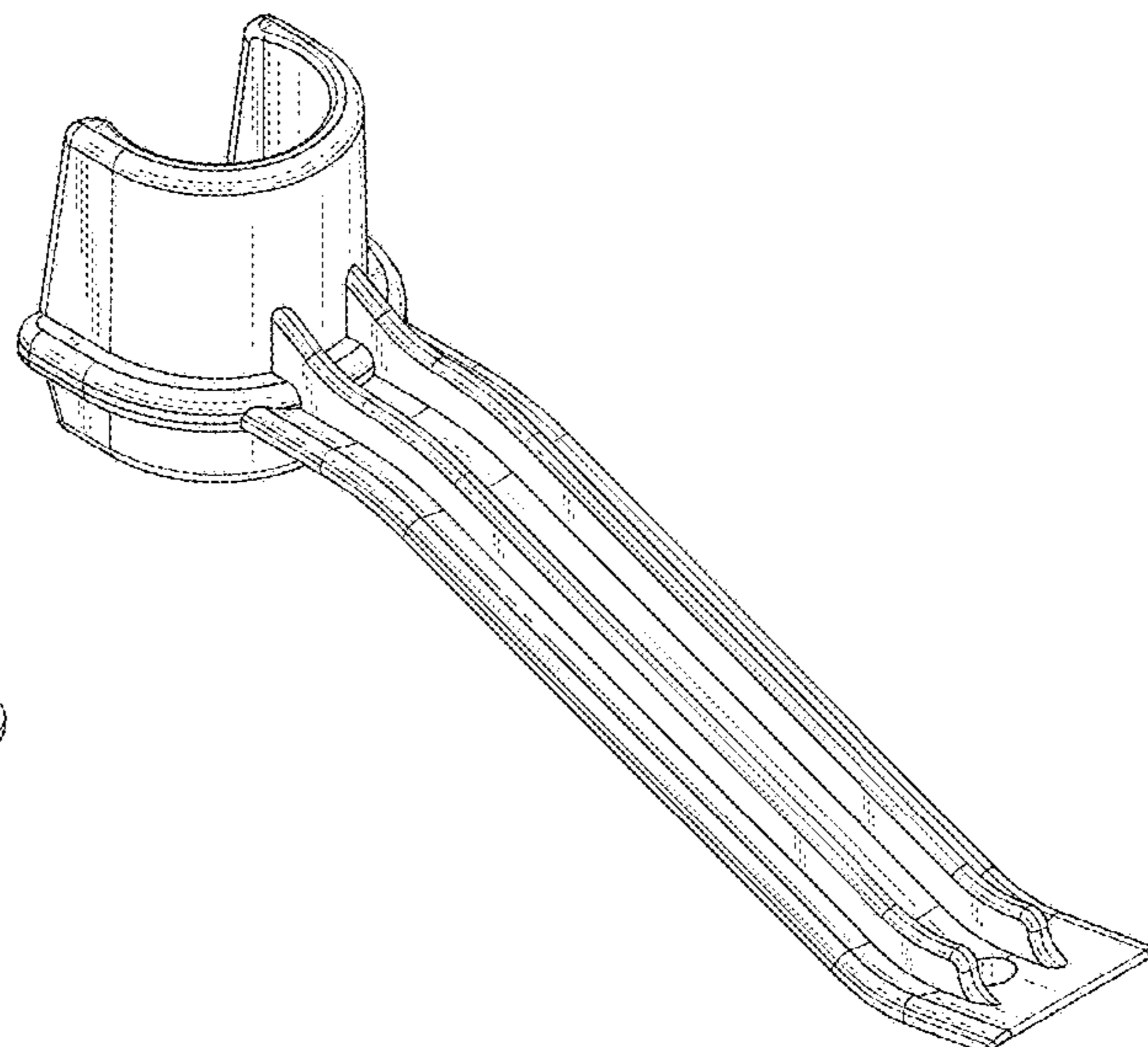
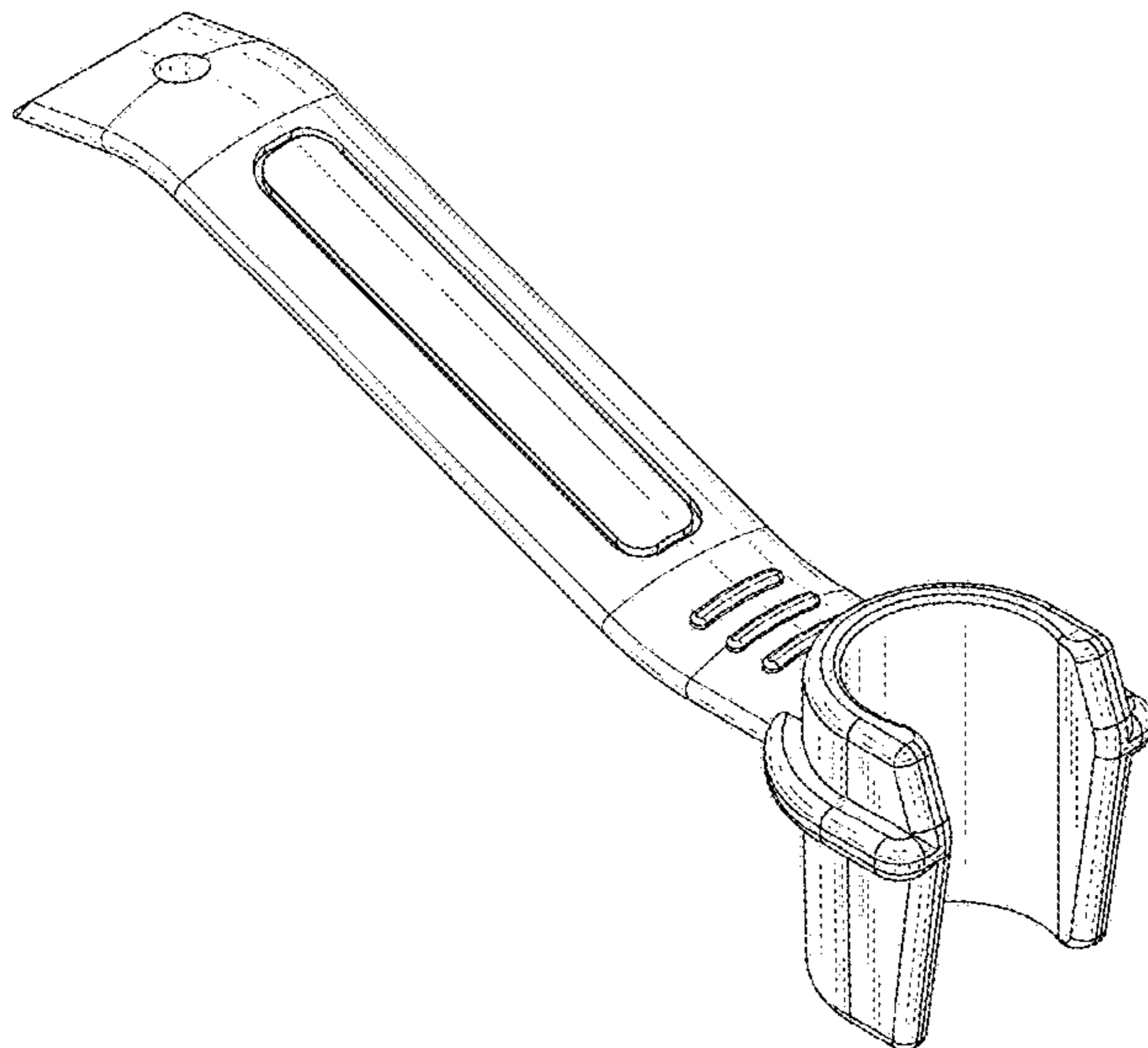
(57) **CLAIM**

The ornamental design for a spray clip, as shown and described.

DESCRIPTION

FIG. 1 is a top perspective view of my design for a spray clip,
FIG. 2 is a bottom perspective view thereof,
FIG. 3 is a front side view thereof,
FIG. 4 is a back side view thereof,
FIG. 5 is a left side view thereof,
FIG. 6 is a top side view thereof; and,
FIG. 7 is a bottom side view thereof.
The right side is a mirror image of the left side.

1 Claim, 5 Drawing Sheets



(56)

References Cited

OTHER PUBLICATIONS

AliExpress. AUXPhome Trigger Gun Sprayer Handle Spray Switch Wand for Electric Weed Sprayer Rechargeable Backpack Sprayer Farm Garden Pump L. No date specified, https://www.aliexpress.us/item/2255800744808273.html?gatewayAdapt=glo2usa4itemAdapt&_randl_shipto=US (Year: 0).*

AliExpress. 0.3mm airbrush mini spray gun gravity spray gun suitable for nail art/car spraying/cake/body painting. No date specified. https://www.aliexpress.us/item/2255801172134677.html?gatewayAdapt=glo2usa4itemAdapt&_randl_shipto=US (Year: 0).*

* cited by examiner

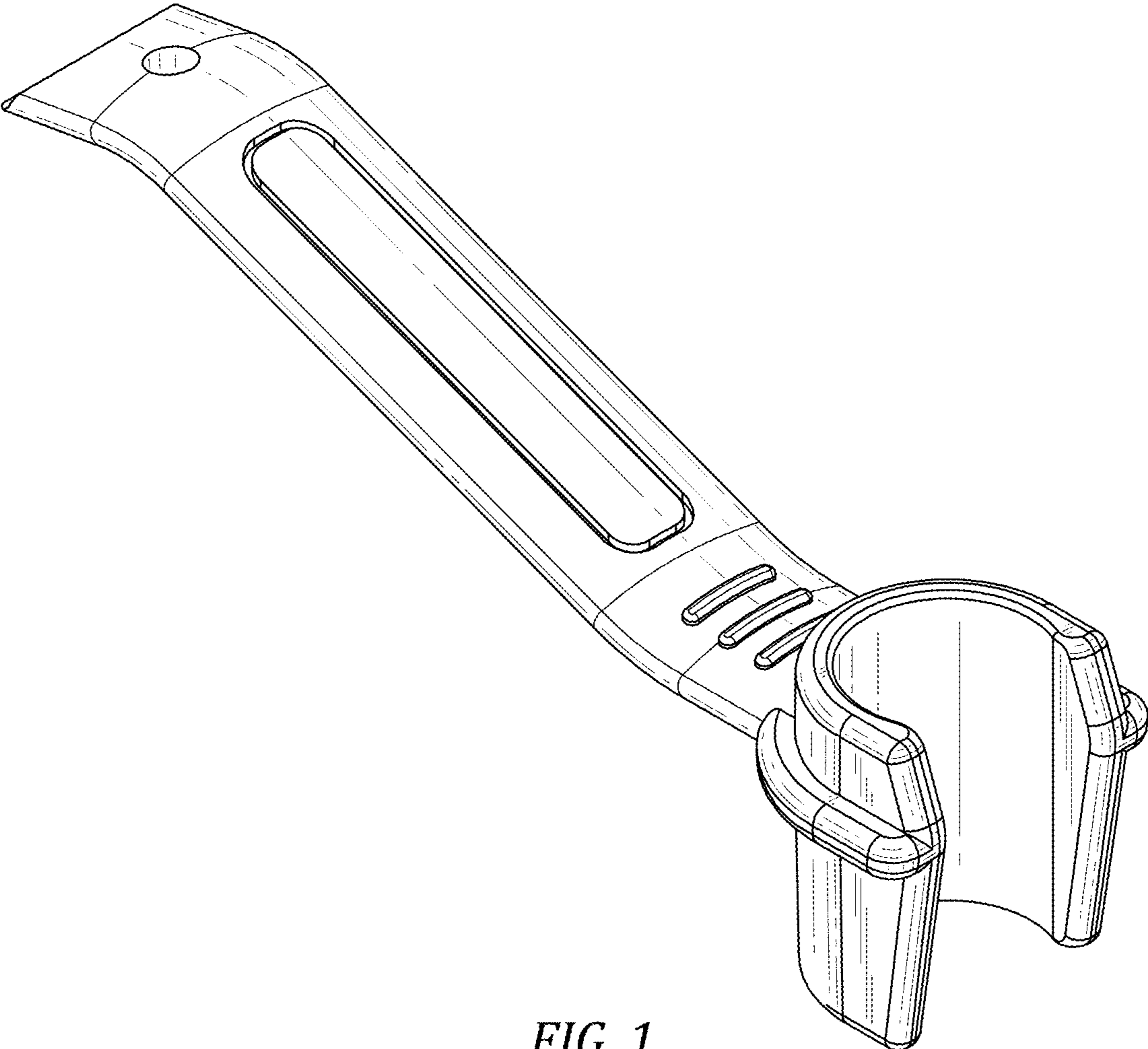


FIG. 1

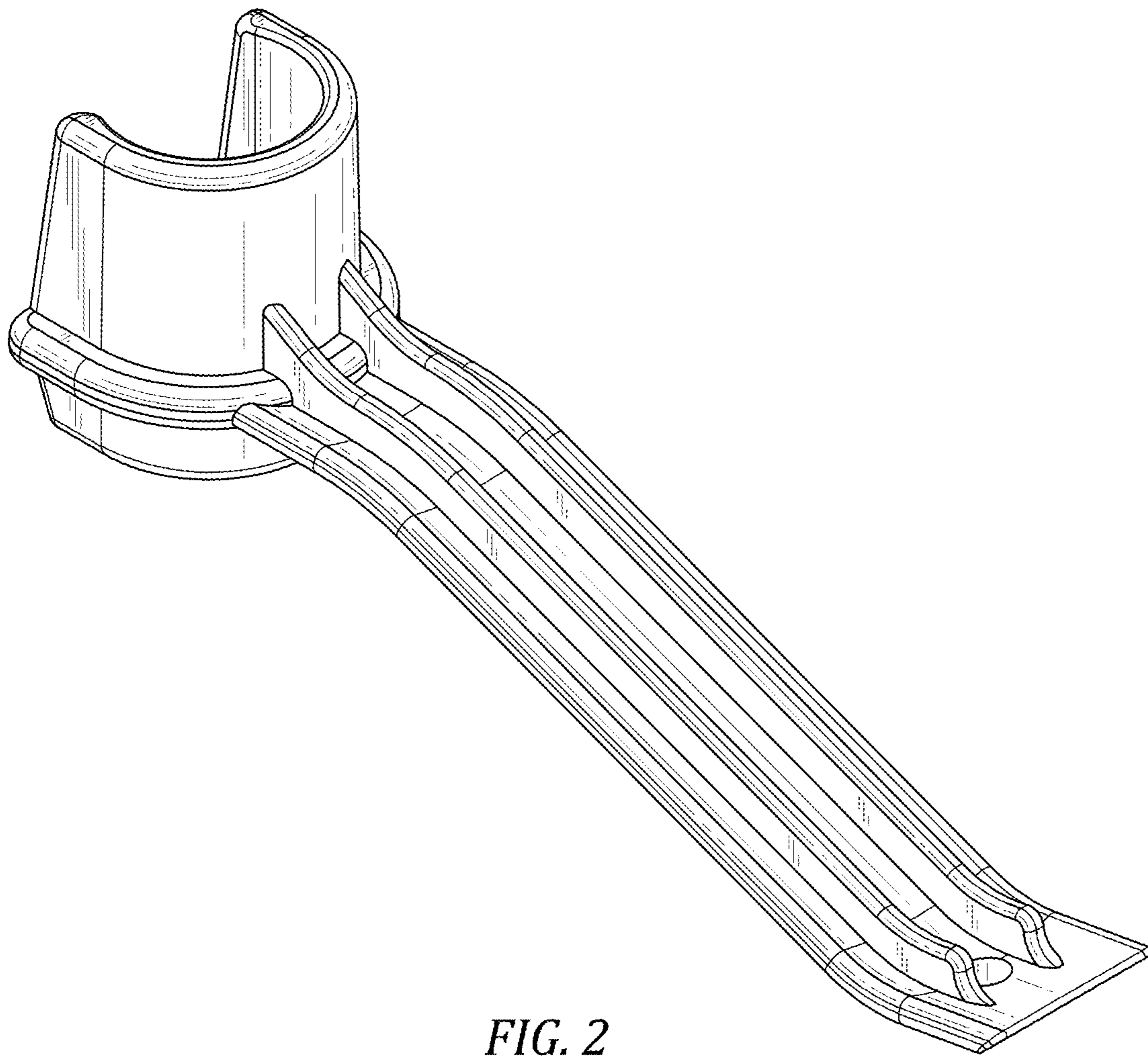


FIG. 2

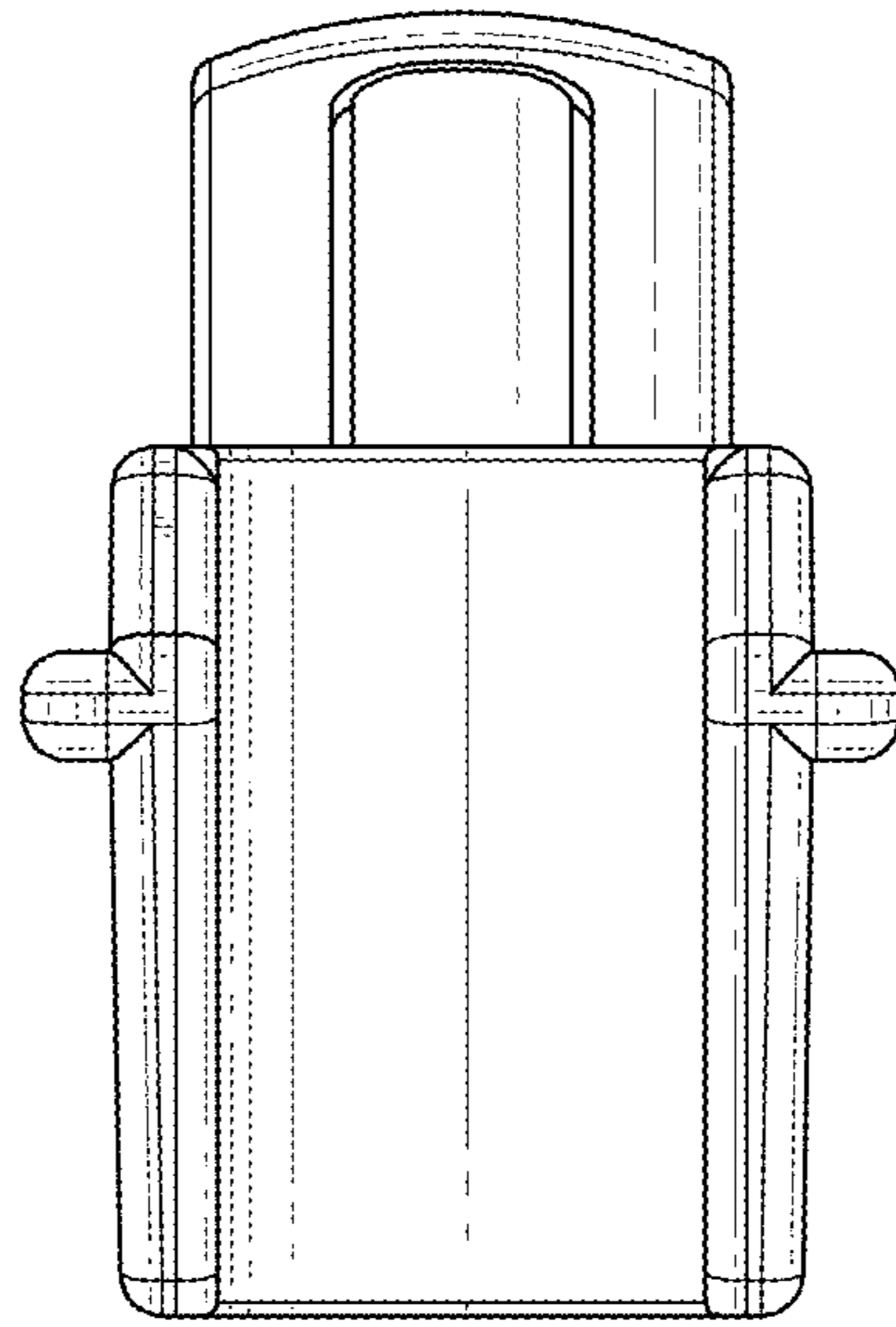


FIG. 3

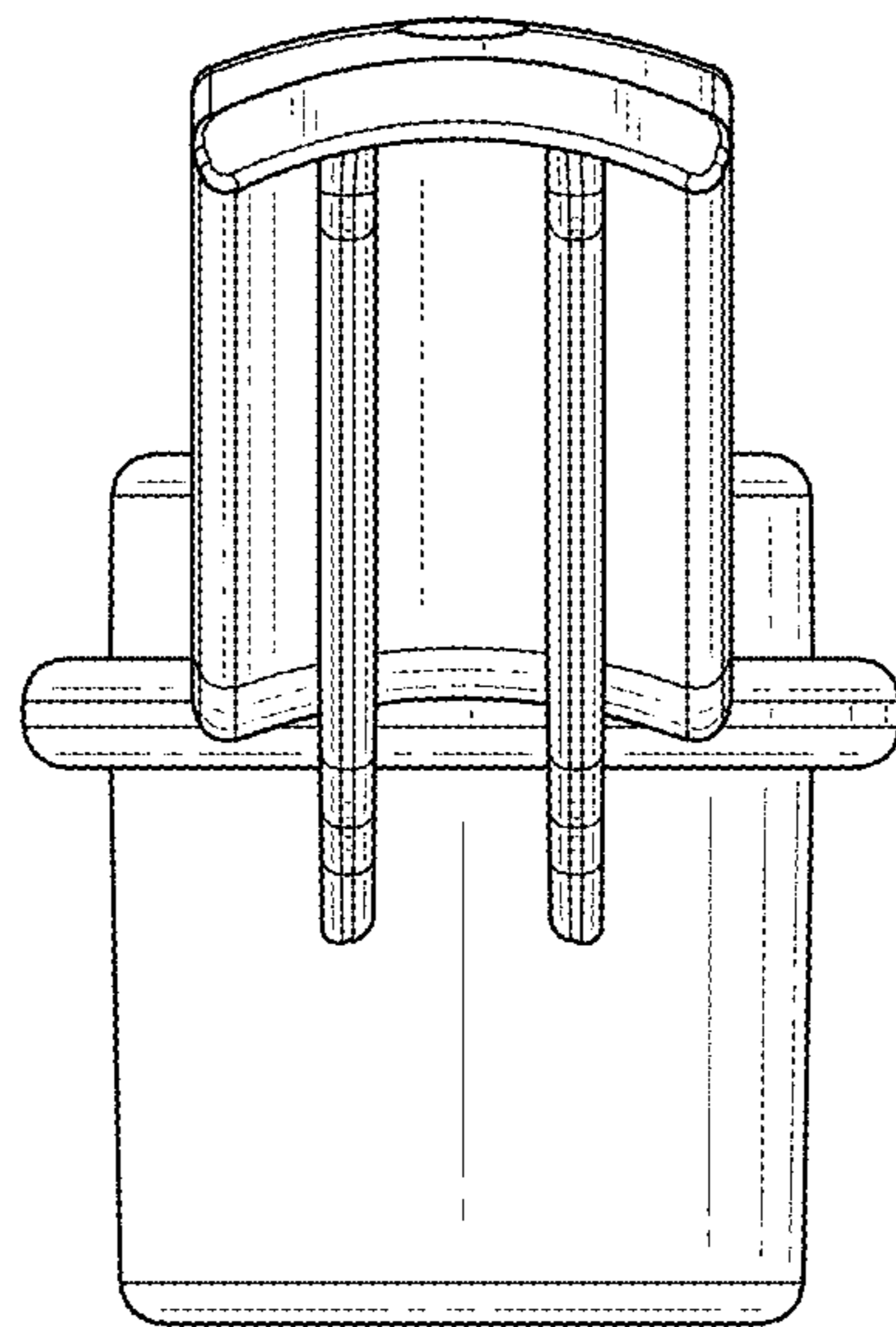


FIG. 4

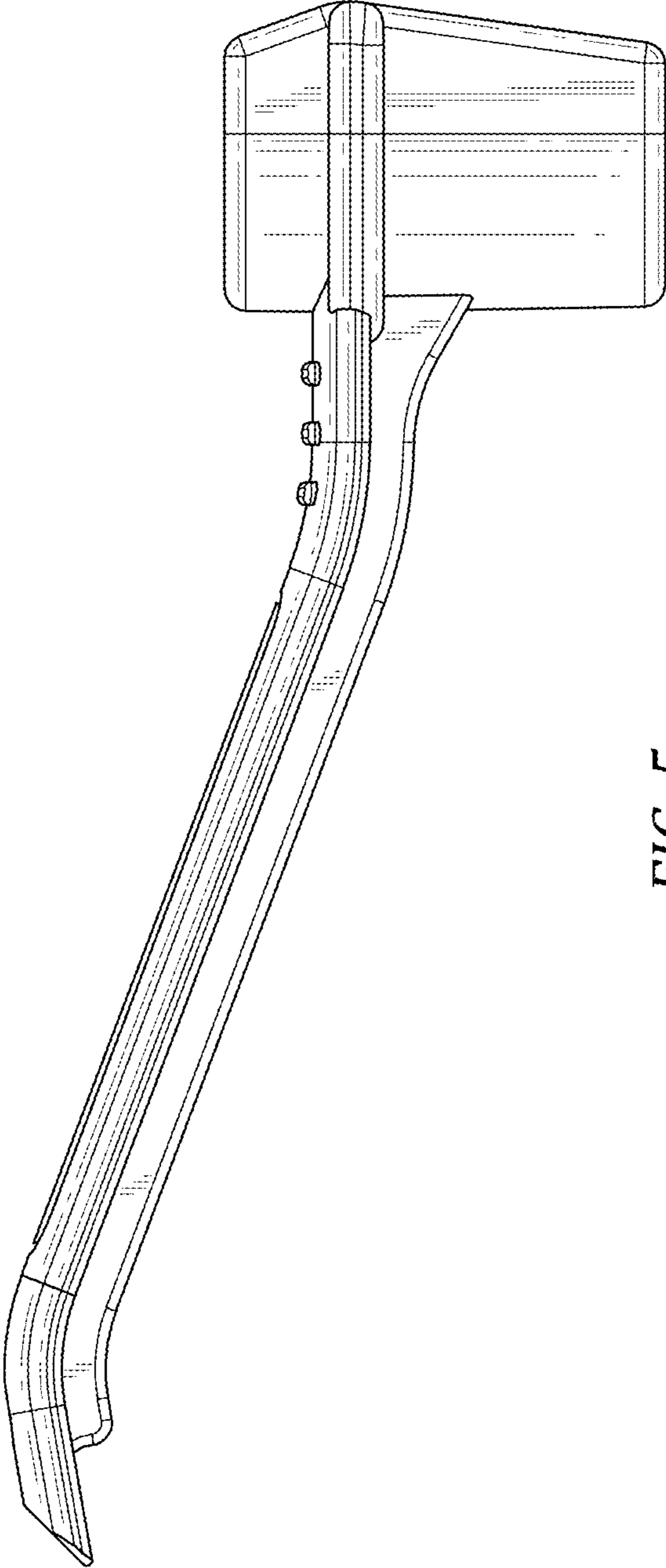


FIG. 5

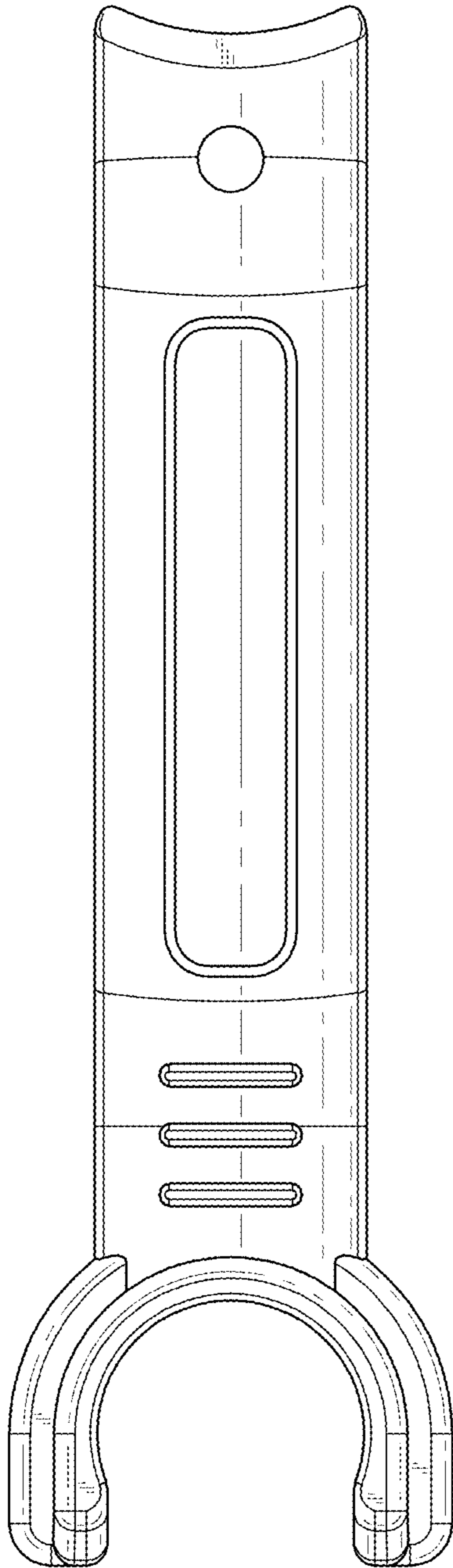


FIG. 6

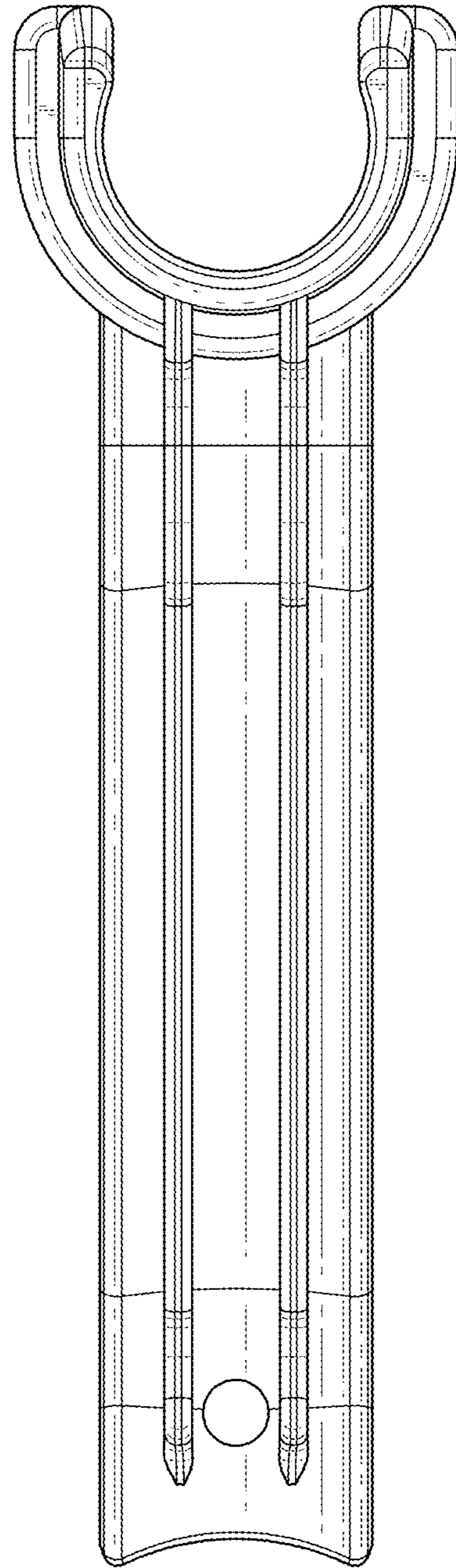


FIG. 7