



US00D981234S

(12) **United States Design Patent** (10) **Patent No.:** **US D981,234 S**  
**Konger** (45) **Date of Patent:** **\*\* Mar. 21, 2023**

(54) **CLOSURE**  
(71) Applicant: **Closure Systems International Inc.**,  
Indianapolis, IN (US)  
(72) Inventor: **Ryan Konger**, Brownsburg, IN (US)  
(73) Assignee: **Closure Systems International Inc.**,  
Indianapolis, IN (US)  
(\*\*) Term: **15 Years**  
(21) Appl. No.: **29/807,878**  
(22) Filed: **Sep. 15, 2021**  
(51) **LOC (14) Cl.** ..... **09-07**  
(52) **U.S. Cl.**  
USPC ..... **D9/454**  
(58) **Field of Classification Search**  
USPC ..... D9/454, 453, 447, 449, 434, 420, 443,  
D9/557, 503; D28/82; D3/273  
CPC ..... B65D 51/18; B65D 41/3428; B65D  
43/0212; B65D 21/0217; B65D 50/043;  
B65D 47/103  
See application file for complete search history.

D407,979 S \* 4/1999 Zemlo ..... D9/454  
5,915,574 A 6/1999 Adams  
6,016,931 A 1/2000 Ohmi  
6,116,445 A 9/2000 Ikemori  
6,247,605 B1 6/2001 Fujie  
6,574,848 B2 6/2003 Fujie  
6,776,314 B2 8/2004 Odet  
6,793,101 B2 9/2004 Shinozaki  
D530,603 S 10/2006 Lohrman  
D547,184 S 7/2007 Kim  
7,308,988 B2 12/2007 Yashima  
D588,915 S 3/2009 Lohrman  
D608,196 S \* 1/2010 Beilke ..... D9/449  
D608,199 S 1/2010 Gross  
D610,454 S 2/2010 Lohrman  
7,832,579 B2 11/2010 Lohrman  
D640,556 S \* 6/2011 Bragg ..... D9/449  
D663,202 S \* 7/2012 Biesecker ..... D9/449  
D702,551 S \* 4/2014 Wisniewski ..... D9/449

(Continued)

*Primary Examiner* — Rhea Shields  
(74) *Attorney, Agent, or Firm* — Nixon Peabody LLP

(57) **CLAIM**

The ornamental design for a closure, as shown and described.

**DESCRIPTION**

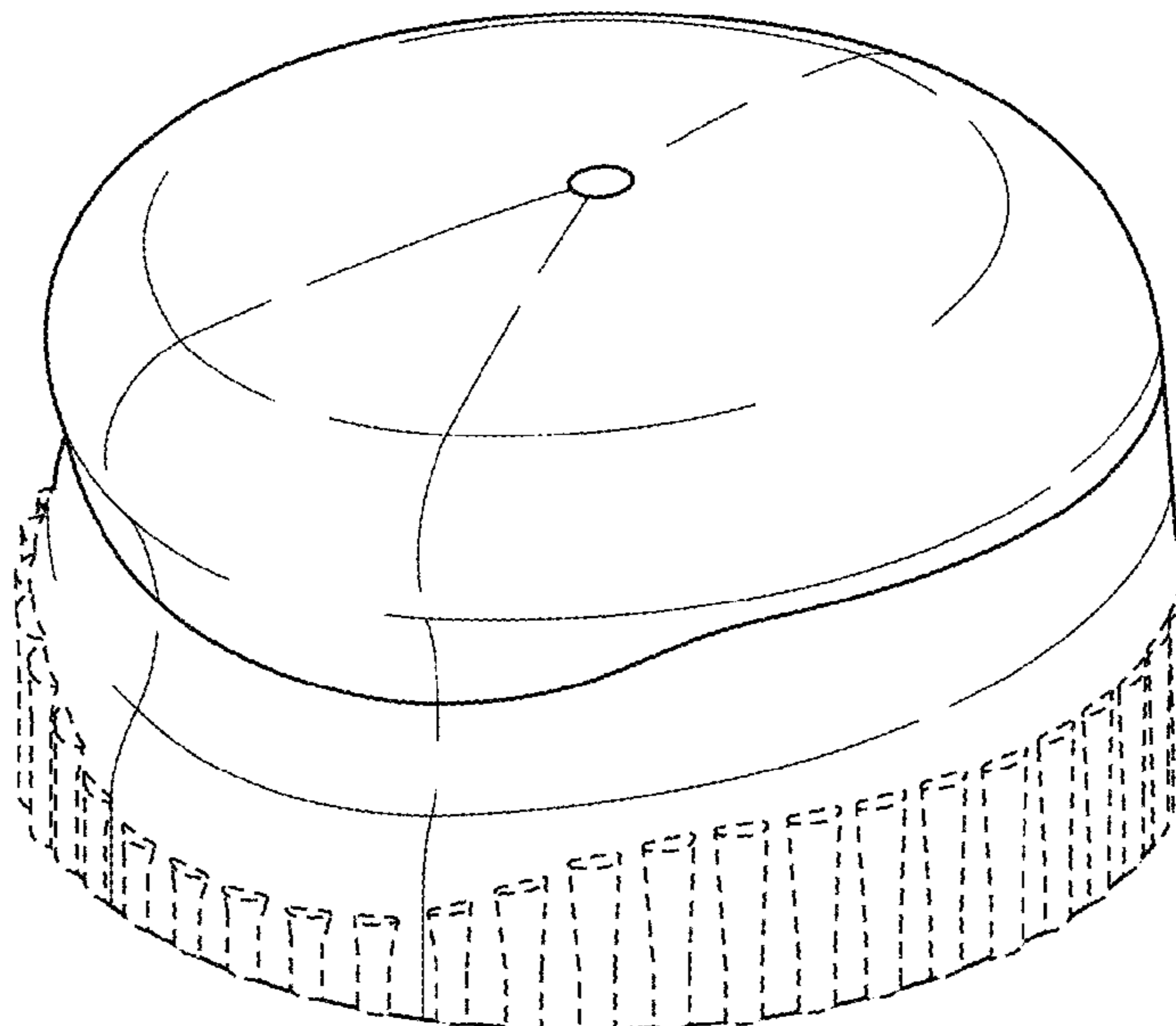
FIG. 1 is a top perspective view of a closure, showing our new design.  
FIG. 2 is a front view of the closure of FIG. 1.  
FIG. 3 is a back view of the closure of FIG. 1.  
FIG. 4 is a first side view of the closure of FIG. 1.  
FIG. 5 is a second side view of the closure of FIG. 1, which is the opposite of the first side view.  
FIG. 6 is a top view of the closure of FIG. 1; and,  
FIG. 7 is a bottom view of the closure of FIG. 1.  
The broken lines are shown for the purpose of illustrating parts of the article that form no part of the claim.

**1 Claim, 4 Drawing Sheets**

(56) **References Cited**

**U.S. PATENT DOCUMENTS**

3,160,327 A \* 12/1964 Porcelli ..... B65D 47/103  
220/837  
3,282,477 A 11/1966 Henchert  
RE29,850 E 11/1978 Labarre  
4,171,749 A 10/1979 Obrist  
4,533,062 A 8/1985 Krautkramer  
4,682,702 A 7/1987 Gach  
5,301,849 A 4/1994 Guglielmini  
5,735,426 A 4/1998 Babcock  
5,755,360 A 5/1998 Elliott  
5,785,209 A 7/1998 Guglielmini  
5,810,207 A 9/1998 Hayashida  
5,875,942 A 3/1999 Ohmi



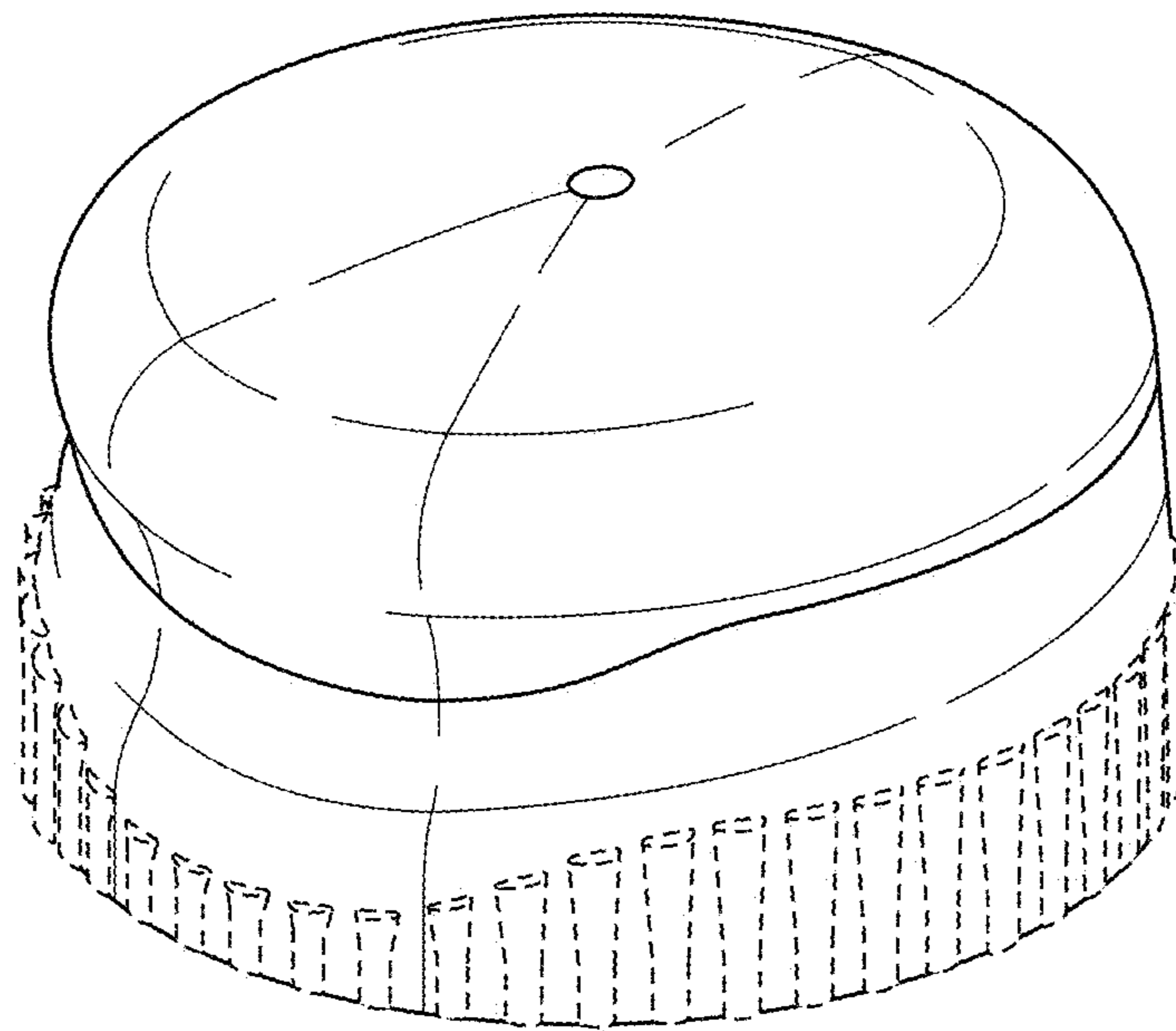
(56)

## References Cited

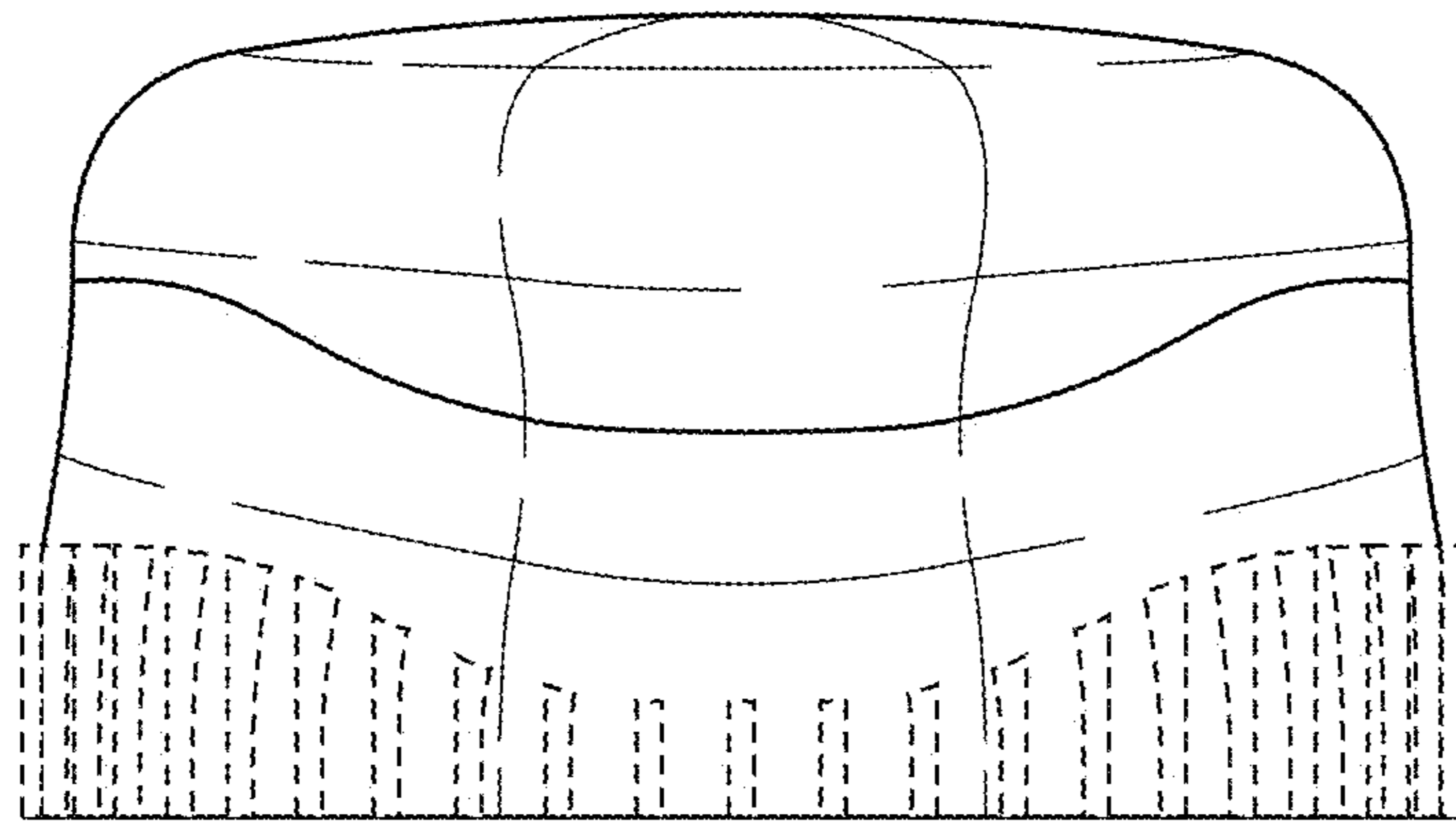
## U.S. PATENT DOCUMENTS

8,763,830 B2 \* 7/2014 Sadiq ..... B65D 41/3428  
215/901  
D732,740 S \* 6/2015 Yoon ..... D28/82  
D743,790 S \* 11/2015 Hussain ..... D9/447  
D755,048 S \* 5/2016 Baissero ..... D9/449  
D789,200 S \* 6/2017 Deringer ..... D9/449  
D795,698 S \* 8/2017 Perdue ..... D9/503  
D807,738 S \* 1/2018 Giraud ..... D9/420  
D817,181 S \* 5/2018 Tran ..... D9/557  
D823,686 S \* 7/2018 Beaudouin ..... D9/449  
D847,633 S 5/2019 Berge  
D859,143 S \* 9/2019 Perdue ..... D9/503  
D871,904 S 1/2020 Berge  
D871,905 S 1/2020 Kim  
10,822,148 B2 \* 11/2020 Sterling ..... B65D 50/043  
D930,474 S \* 9/2021 Faragher ..... D9/453  
D949,687 S \* 4/2022 Flaherty ..... D9/434  
D949,689 S \* 4/2022 Wiebenga ..... D9/449  
D957,253 S \* 7/2022 Johnson ..... D9/453  
D961,387 S \* 8/2022 Milan ..... B65D 51/18  
D9/447  
D962,644 S \* 9/2022 Ren ..... D3/273  
D962,767 S \* 9/2022 Lupberger ..... D9/453  
D964,167 S \* 9/2022 Sterling ..... D9/443  
2001/0011649 A1 8/2001 Fujie  
2001/0015355 A1 8/2001 Adams  
2004/0065665 A1 4/2004 Mahdi  
2011/0011821 A1 1/2011 Lohrman  
2018/0319556 A1 \* 11/2018 Straughan ..... B65D 43/0212  
2021/0114783 A1 \* 4/2021 Sibley ..... B65D 21/0217

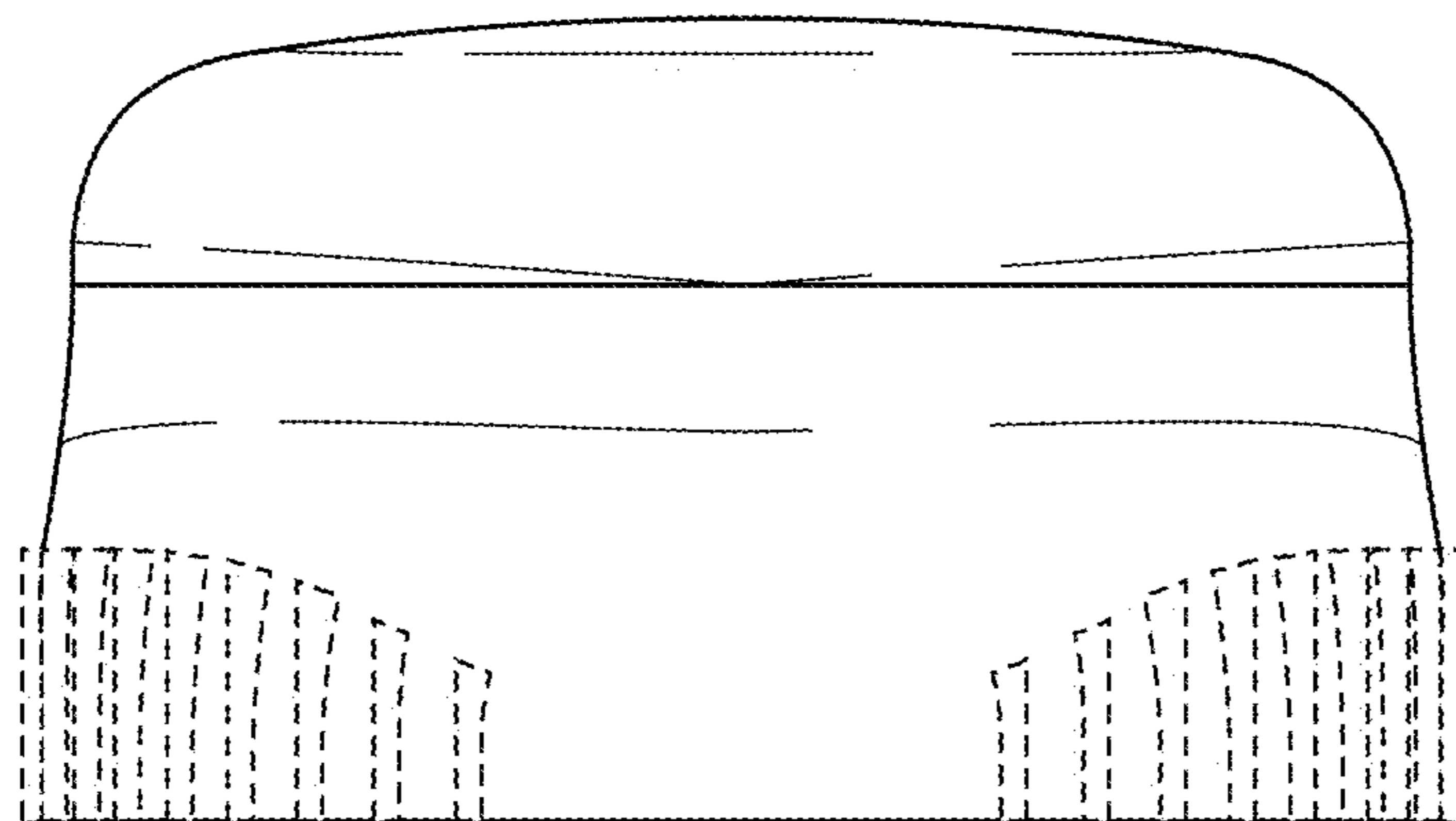
\* cited by examiner



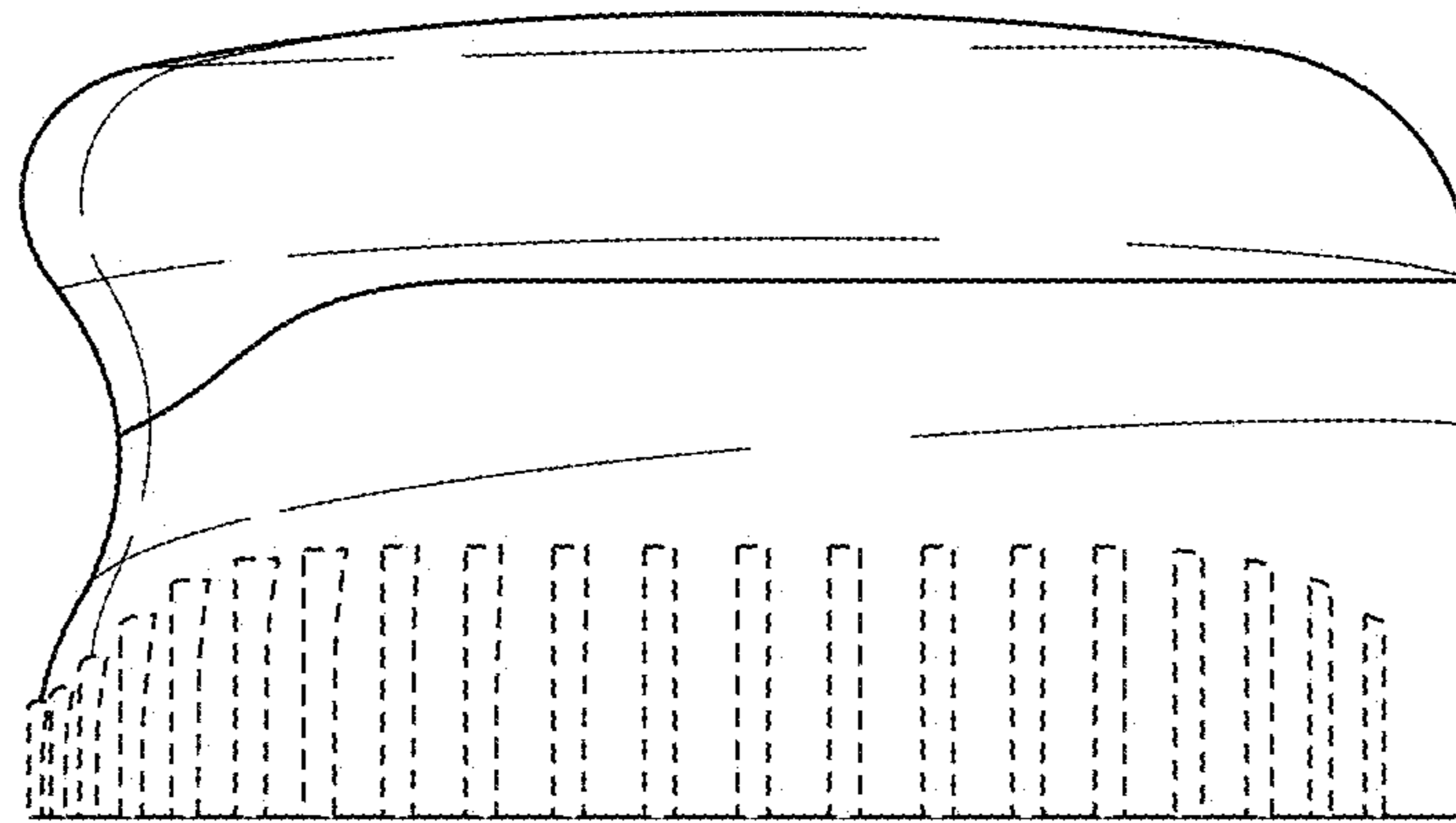
*Fig. 1*



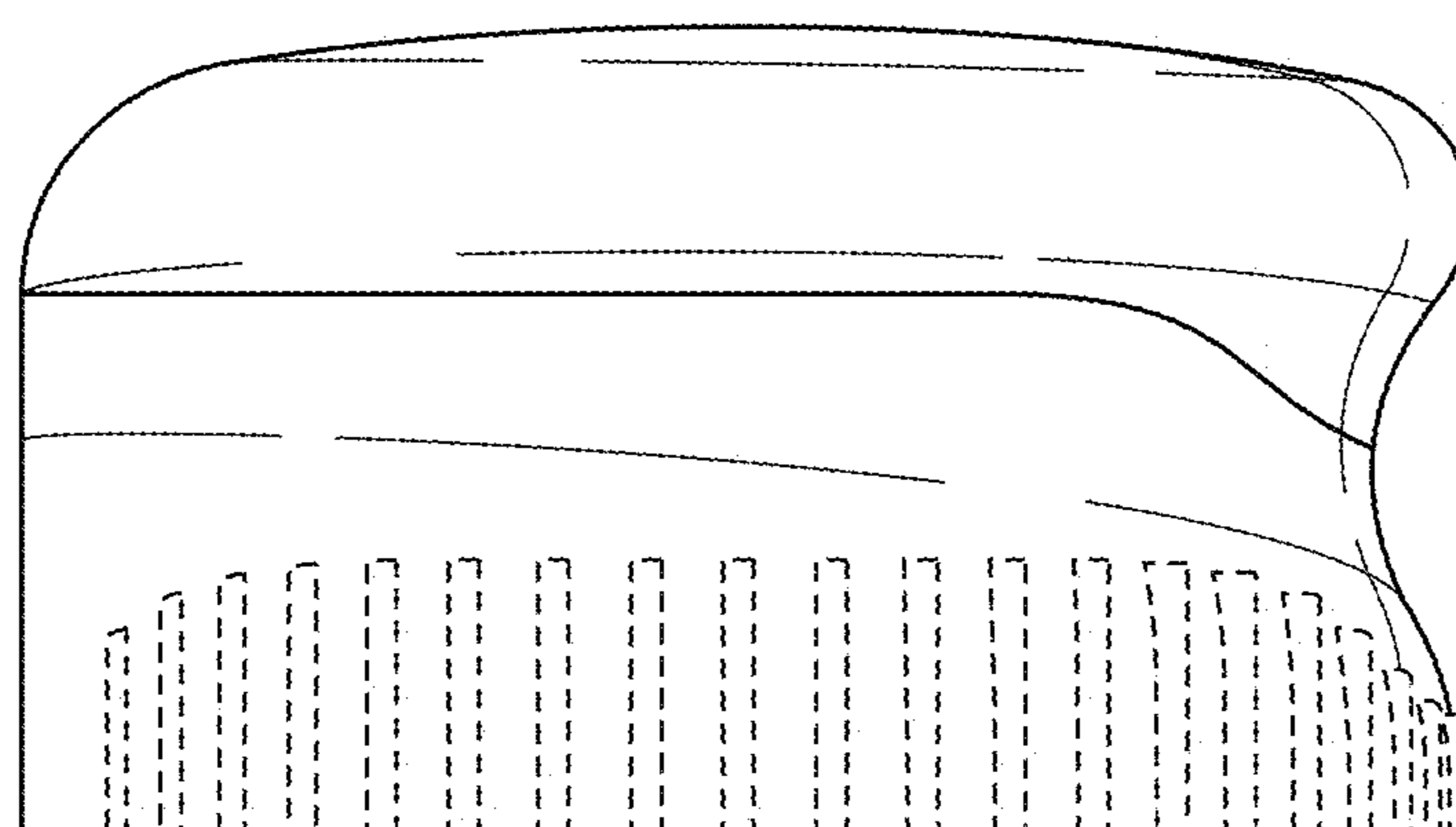
*Fig. 2*



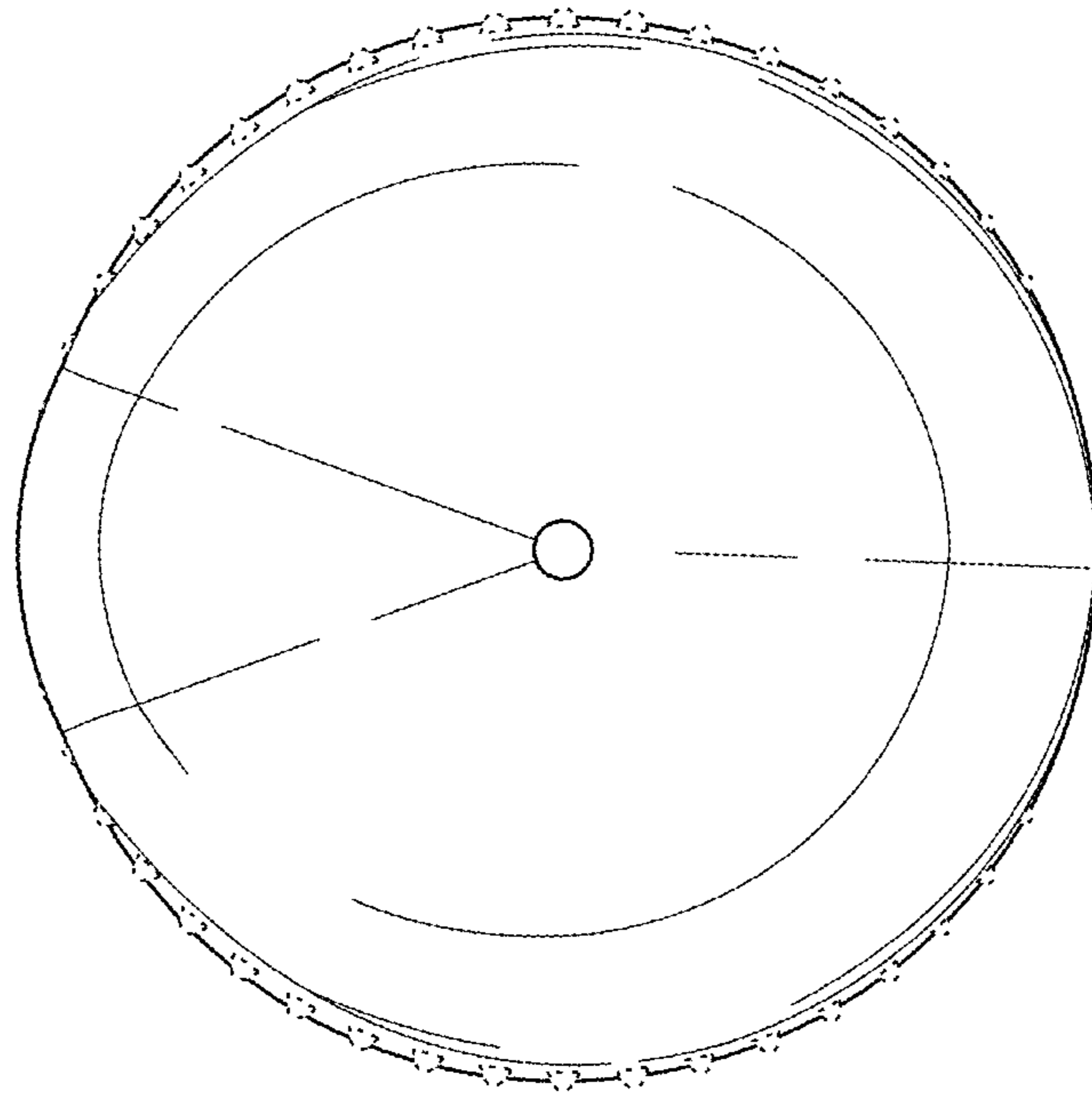
*Fig. 3*



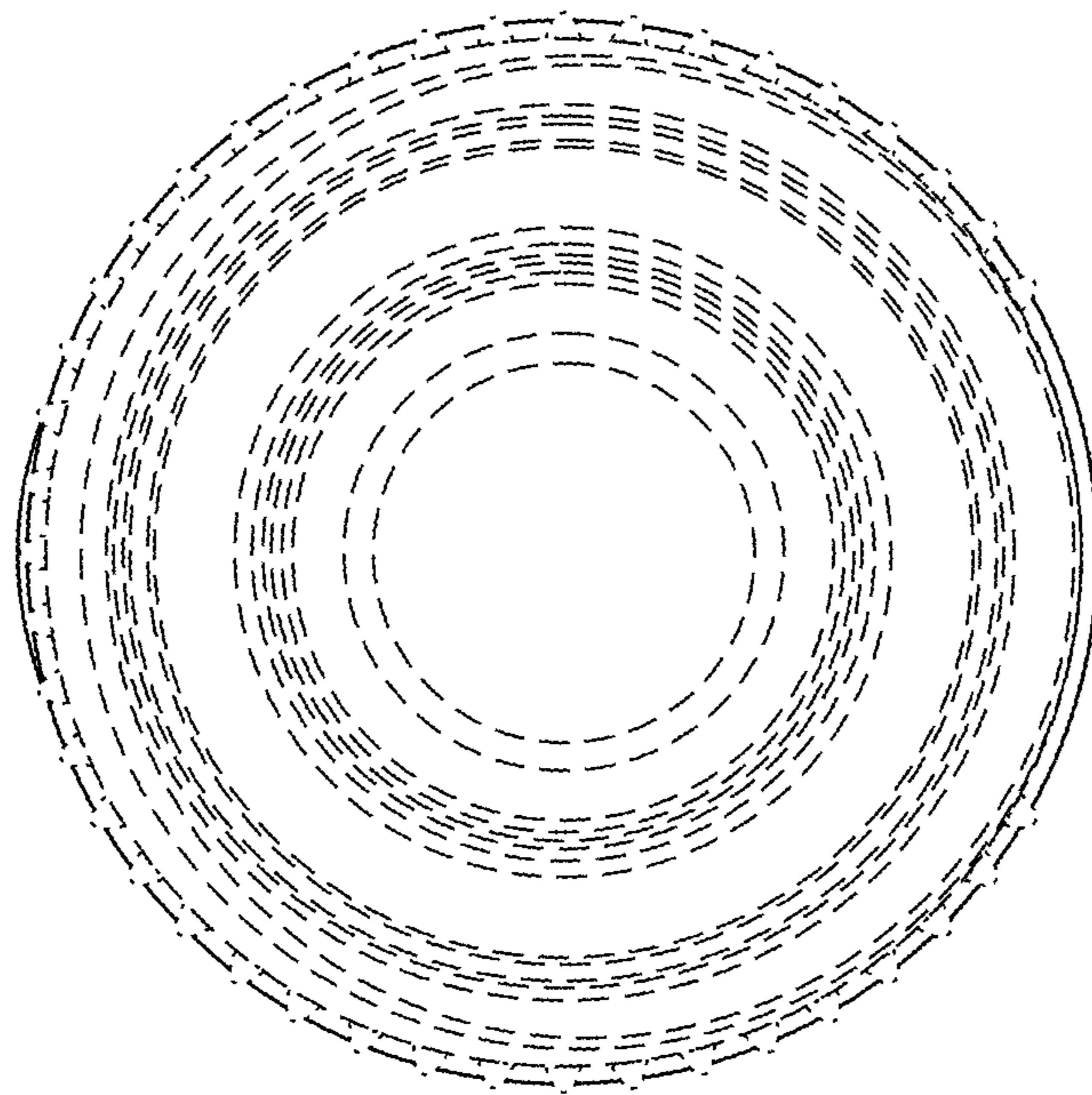
*Fig. 4*



*Fig. 5*



*Fig. 6*



*Fig. 7*