



US00D981232S

(12) **United States Design Patent**
Kachanov

(10) **Patent No.:** **US D981,232 S**
(45) **Date of Patent:** **** Mar. 21, 2023**

(54) **CLOSURE FOR BEVERAGE BOTTLES**

(71) Applicant: **UAB “RETAL Baltic Films”, Klaipeda (LT)**

(72) Inventor: **Olexandr Kachanov, Vilnius (LT)**

(73) Assignee: **UAB “RETAL Baltic Films”, Klaipeda (LT)**

(**) Term: **15 Years**

(21) Appl. No.: **35/513,755**

(22) Filed: **Feb. 9, 2022**

(80) **Hague Agreement Data**

Int. Filing Date: **Feb. 9, 2022**
Int. Reg. No.: **DM/219160**
Int. Reg. Date: **Feb. 9, 2022**
Int. Reg. Pub. Date: **Mar. 4, 2022**

(51) **LOC (14) Cl.** **09-07**

(52) **U.S. Cl.**
USPC **D9/443**

(58) **Field of Classification Search**
USPC D9/434–436, 499, 443, 453, 454, 452
CPC B65D 41/0421; B65D 41/34; B65D 41/26
See application file for complete search history.

(56) **References Cited**

U.S. PATENT DOCUMENTS

3,467,272 A * 9/1969 Hendrickson B65D 41/0492
220/288
4,257,526 A * 3/1981 Weits B65D 41/17
215/331
D470,050 S * 2/2003 Renz D9/434
D712,740 S * 9/2014 Antal D9/435
D762,115 S * 7/2016 Corvaglia D9/443
D869,274 S * 12/2019 Kim D9/453
D871,905 S * 1/2020 Kim B65D 41/3428
D9/453
D885,897 S * 6/2020 Edie D9/452
10,744,223 B2 * 8/2020 Griffis B29C 48/0011

D922,199 S * 6/2021 Kim D9/453
D926,576 S * 8/2021 Hartley D7/391
D970,341 S * 11/2022 Yoshida D9/454
D972,932 S * 12/2022 Borg D9/453
2008/0067142 A1 * 3/2008 Druitt B65D 41/04
215/324
2015/0122769 A1 * 5/2015 Taber B65D 51/145
215/350
2019/0062007 A1 * 2/2019 Kim B67B 3/18
2019/0071222 A1 * 3/2019 Druitt B65D 41/325

OTHER PUBLICATIONS

Food Bev Media. Retal’s new high grip closure reduces plastic use for beverages by Harriet Jachec. Dec. 24, 2018. <https://www.foodbev.com/news/retals-new-high-grip-closure-reduces-plastic-use-for-beverages/> (Year: 2018).*

Delfi. New “Retal Baltic Films” lab supports sustainable packaging by Delfi En. Nov. 9, 2020. <https://www.delfi.lt/en/business/new-retal-baltic-films-lab-supports-sustainable-packaging.d?id=85683541> (Year: 2020).*

* cited by examiner

Primary Examiner — Darcey E Gottschalk

(74) *Attorney, Agent, or Firm* — AAA Law

(57) **CLAIM**

The ornamental design for a closure for beverage bottles, as shown and described.

DESCRIPTION

1. Closure for beverage bottles

1.1 : Bottom perspective

1.2 : Bottom perspective

1.3 : Bottom perspective

1.4 : Front view

1.5 : Cross-sectional view

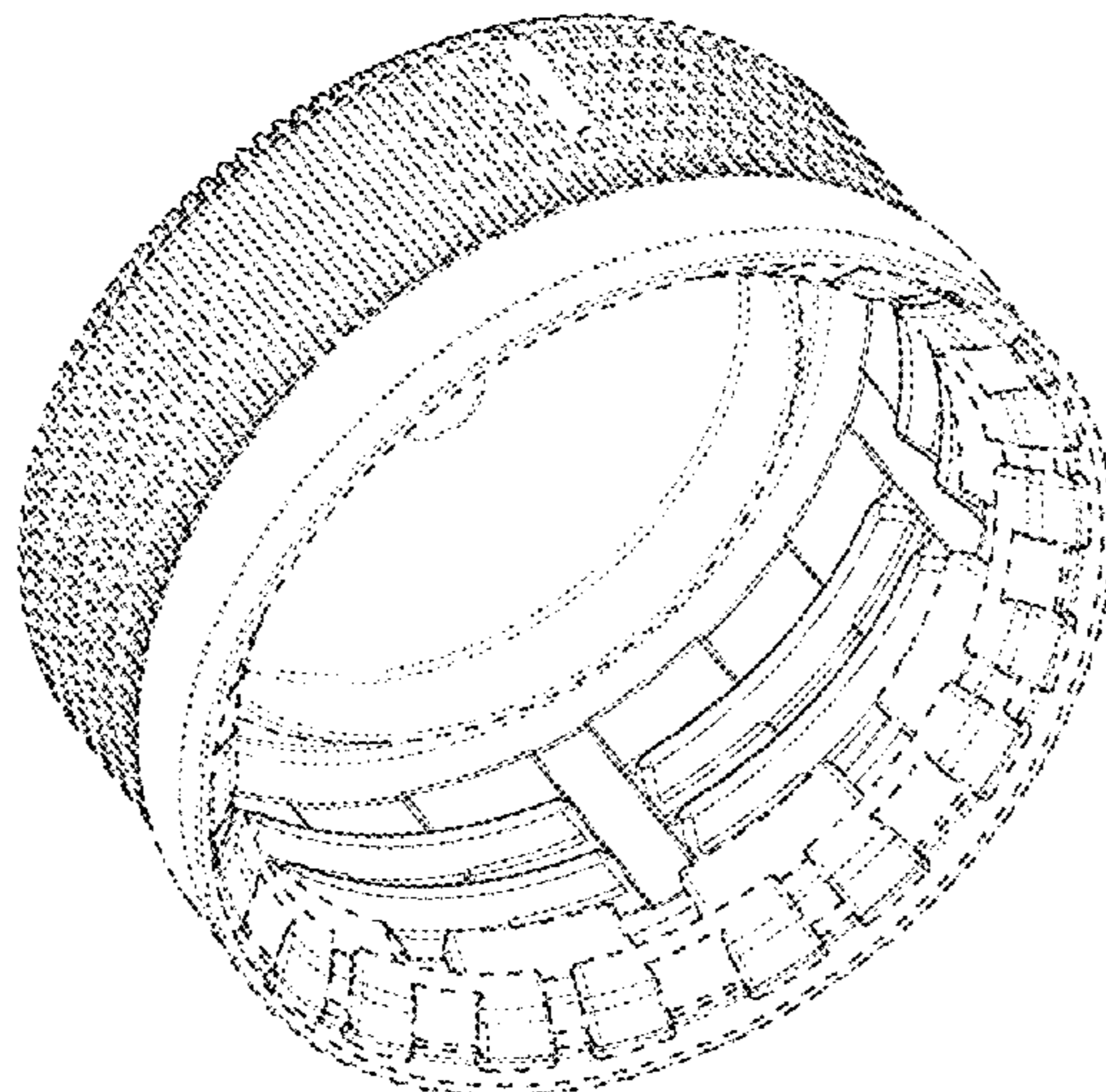
1.6 : Cross-sectional view

1.7 : Bottom view

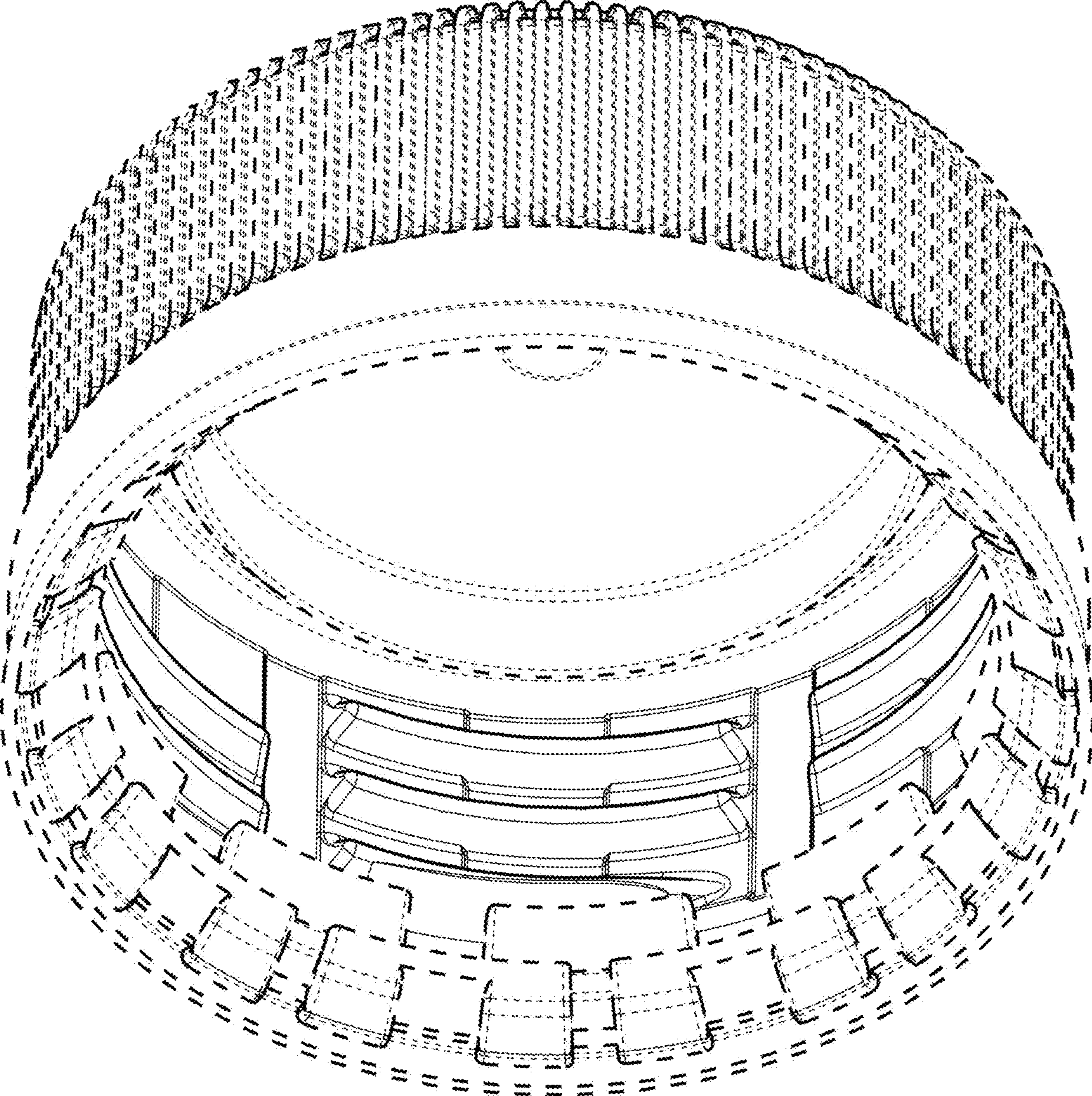
1.8 : Top view

In the drawings, the broken lines show portions of a closure for beverage bottles that form no part of the claim.

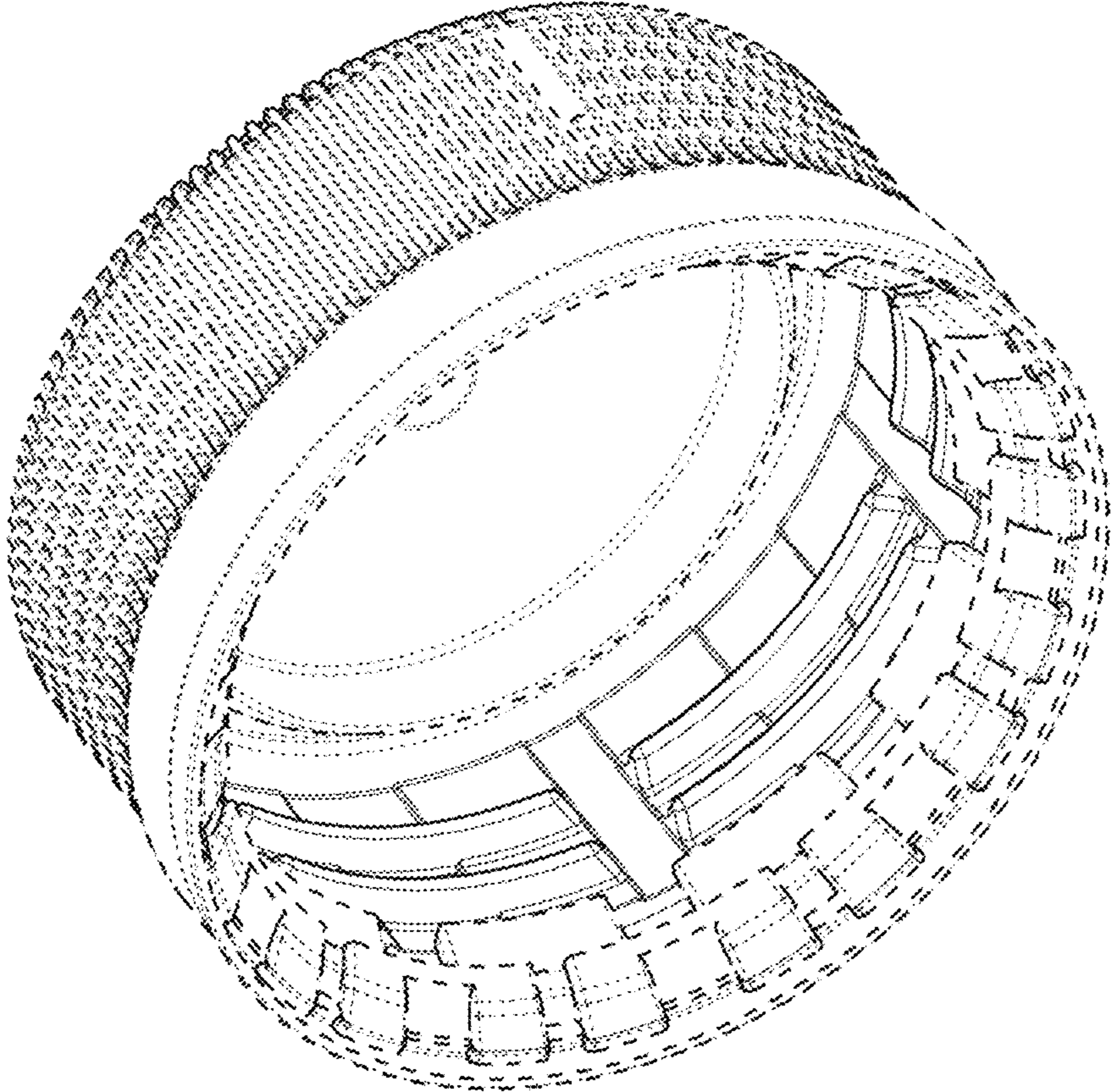
1 Claim, 8 Drawing Sheets



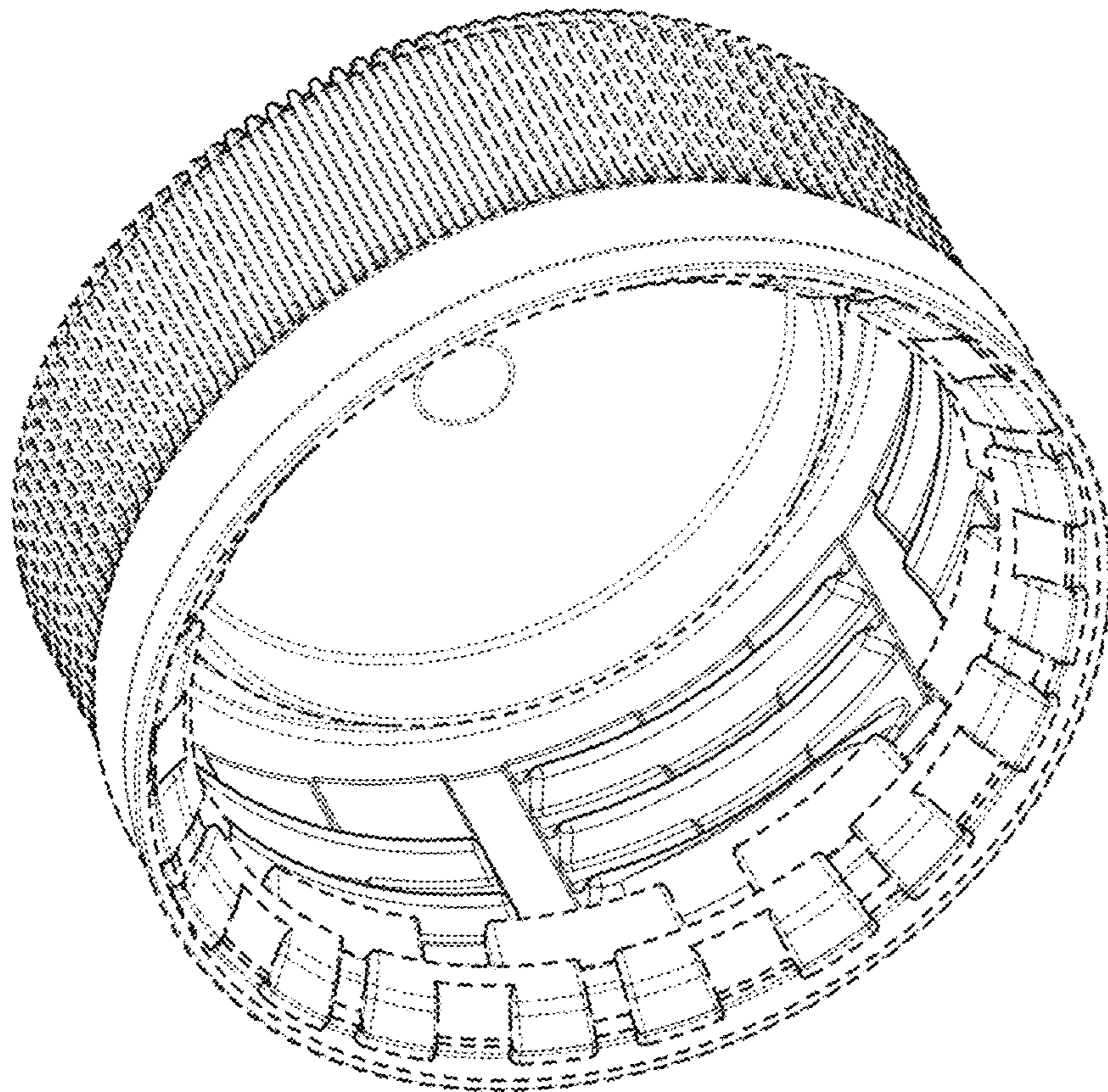
1.1



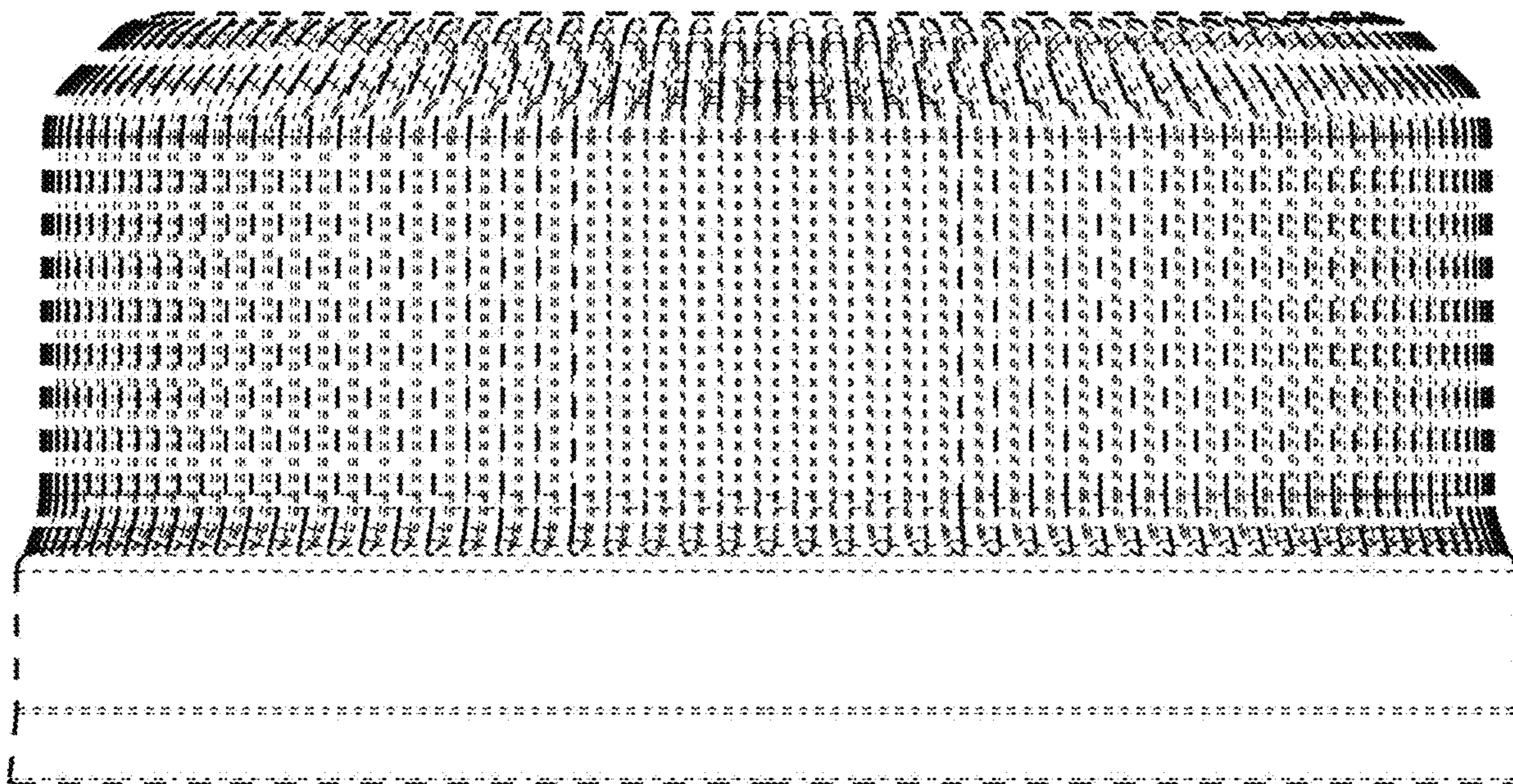
1.2



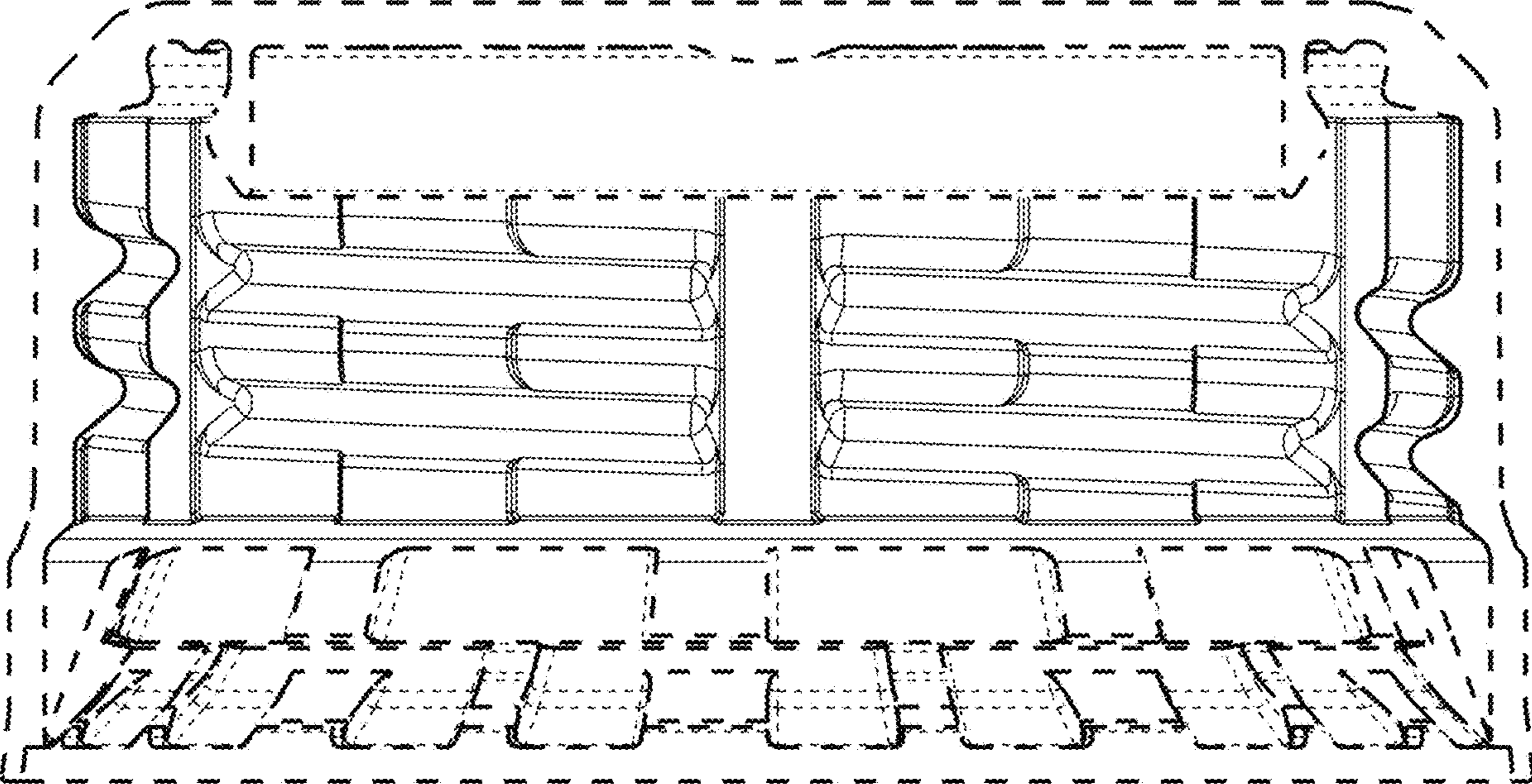
1.3



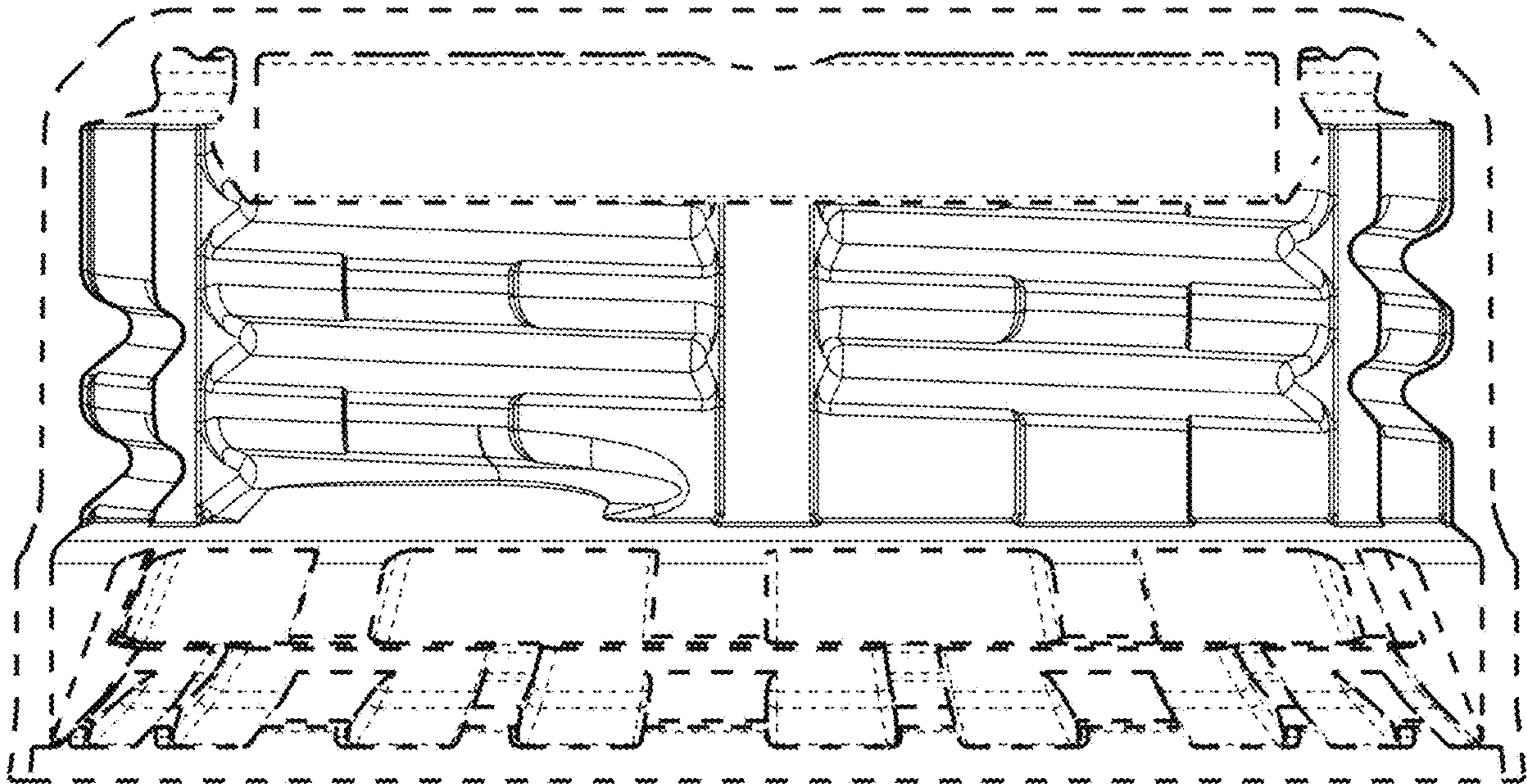
1.4



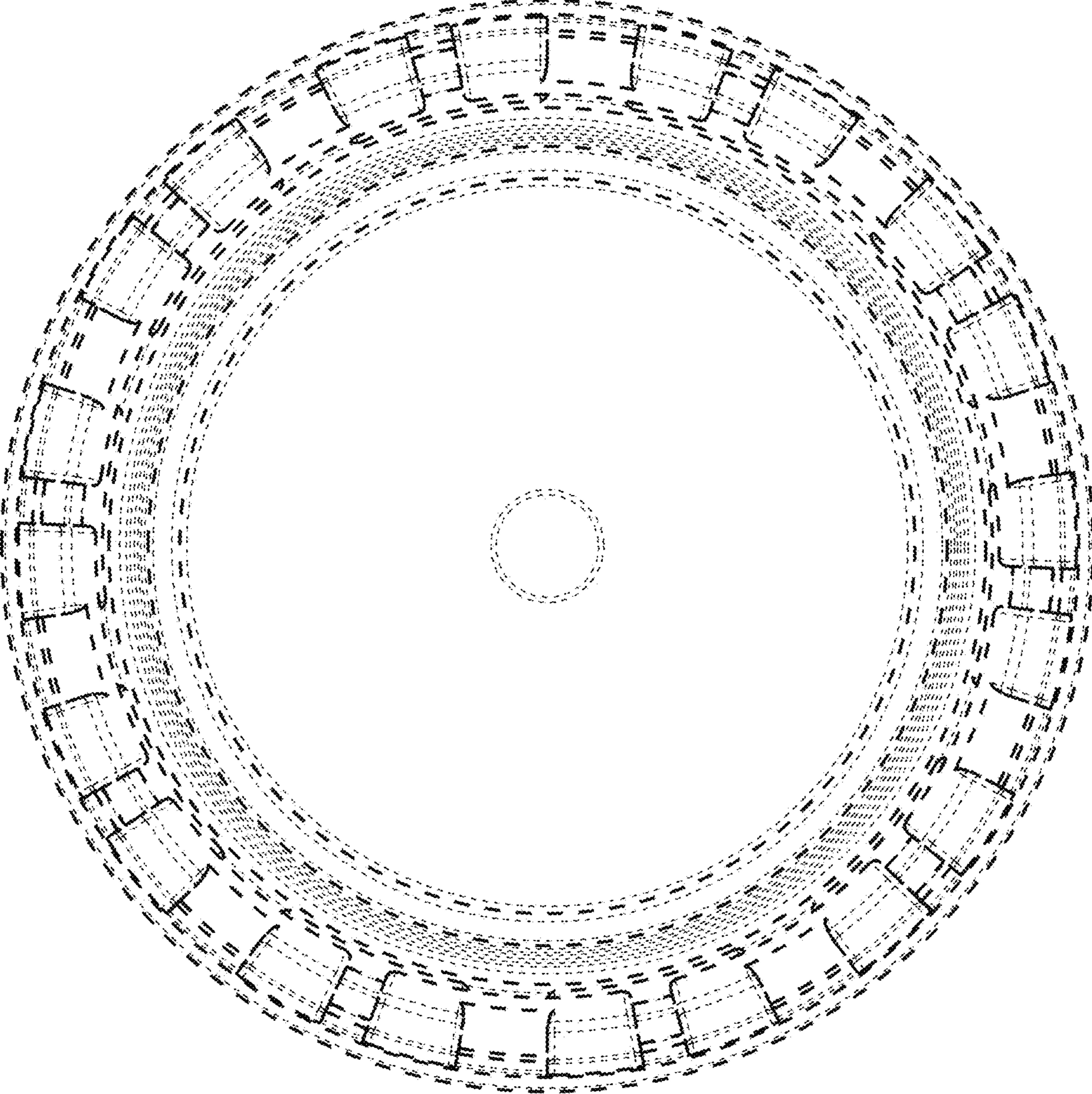
1.5



1.6



1.7



1.8

