



US00D981231S

(12) **United States Design Patent** (10) **Patent No.:** **US D981,231 S**
Milbrandt (45) **Date of Patent:** **** Mar. 21, 2023**

(54) **PACKAGING FASTENER** 3,164,250 A * 1/1965 Paxton B65B 51/043
206/820
(71) Applicant: **Bedford Industries, Inc.**, Worthington, MN (US) D200,574 S * 3/1965 Howell D32/66
3,417,912 A * 12/1968 Paxton B65D 33/1625
24/30.5 R
(72) Inventor: **Jay A. Milbrandt**, Worthington, MN (US) 4,361,935 A * 12/1982 Paxton B65D 33/1625
24/561
4,519,178 A * 5/1985 Crabb, Jr. B65B 13/022
100/9
(73) Assignee: **BEDFORD INDUSTRIES, INC.**, Worthington, MN (US) 4,896,366 A * 1/1990 Oxman B65D 33/1625
24/30.5 S
D306,043 S * 2/1990 Hickmott D20/27
D335,897 S * 5/1993 Huckeba D20/22
5,311,646 A * 5/1994 Eischen, Sr. B65D 33/1625
24/30.5 R
(**) Term: **15 Years**
(21) Appl. No.: **29/837,575**
(22) Filed: **May 6, 2022**

(Continued)

Related U.S. Application Data

(62) Division of application No. 29/667,053, filed on Oct. 18, 2018, now Pat. No. Des. 957,937.
(51) **LOC (14) Cl.** **09-01**
(52) **U.S. Cl.**
USPC **D9/443**; D20/27
(58) **Field of Classification Search**
USPC D9/435, 443, 711, 713, 714; D20/11, 22, D20/23, 25, 27, 28, 29, 40, 43; D19/1; D8/382
CPC F16B 2/02; F16B 2/10; F16B 2/20; F16B 2/205; F16B 2/22; F16B 2/24; G09F 1/02; G09F 1/04; G09F 2003/0216; G09F 3/14; G09F 3/08; G09F 3/0288; G09F 3/0289; B65D 33/1625; B65D 33/165
See application file for complete search history.

References Cited

U.S. PATENT DOCUMENTS

1,348,899 A * 8/1920 Sargent G09F 1/04
40/310
2,847,774 A * 8/1958 Brooks G09F 3/04
40/666

FOREIGN PATENT DOCUMENTS

JP D1180493 * 7/2003
JP D1487378 * 1/2014
JP D1593466 * 12/2017

Primary Examiner — Sheryl Lane
Assistant Examiner — Ieisha N Price
(74) *Attorney, Agent, or Firm* — James L. Young;
Westman, Champlin & Koehler P.A.

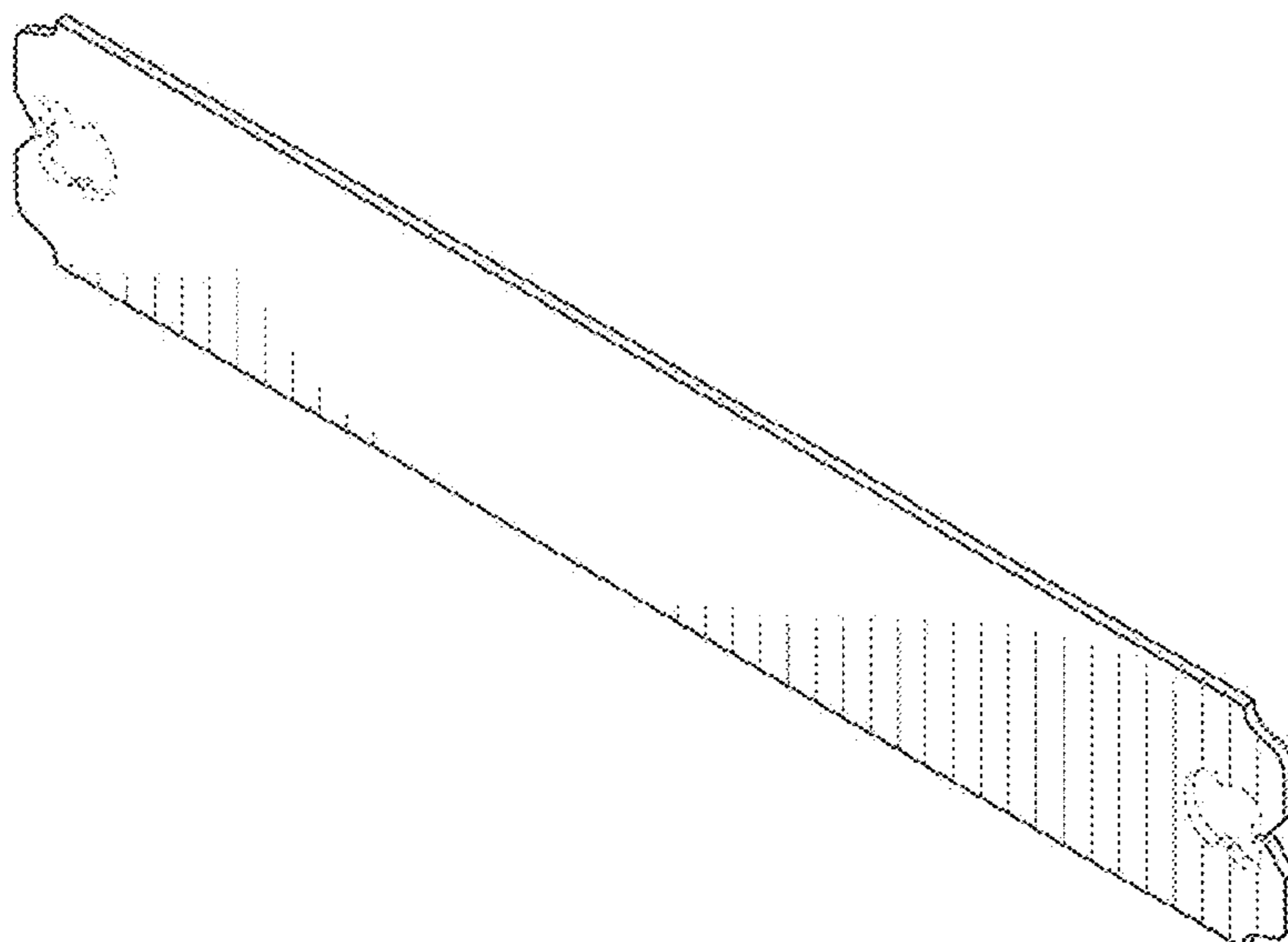
CLAIM

(57) The ornamental design for a packaging fastener, as shown and described.

DESCRIPTION

FIG. 1 is a perspective view of a packaging fastener;
FIG. 2 is a front view thereof;
FIG. 3 is a rear view thereof;
FIG. 4 is a right side view thereof;
FIG. 5 is a left side view thereof;
FIG. 6 is a top view thereof; and,
FIG. 7 is a bottom view thereof.
The broken lines in the drawings illustrate portions of the packaging fastener and form no part of the claimed design.

1 Claim, 2 Drawing Sheets



(56)

References Cited

U.S. PATENT DOCUMENTS

D356,600 S *	3/1995	Hibbs	D20/22	D823,696 S *	7/2018	O'Neill	D9/711
5,704,144 A *	1/1998	Groth	G09F 3/10	D828,745 S *	9/2018	Vowels	D8/382
				40/306	D871,212 S *	12/2019	Hamel	D9/443
6,058,639 A *	5/2000	Tinklenberg	G09F 3/04	10,519,697 B1 *	12/2019	Zamansky	G09F 3/0341
				40/637	D880,296 S *	4/2020	Hamel	D9/443
D491,057 S *	6/2004	Weiss	D9/435	D880,988 S *	4/2020	Takahashi	D8/356
D563,602 S *	3/2008	Armentrout	D29/101.1	10,647,475 B2 *	5/2020	Milbrandt	B65D 71/504
D570,921 S *	6/2008	Egros	D20/27	10,723,532 B2 *	7/2020	Milbrandt	B65D 75/585
D611,545 S *	3/2010	Williams	D20/28	D905,552 S *	12/2020	Milbrandt	D9/443
D681,832 S *	5/2013	Samlaska	D24/189	D906,793 S *	1/2021	Tunney	D8/382
8,550,423 B2 *	10/2013	Taylor	G09F 23/14	D910,755 S *	2/2021	Milbrandt	D20/22
				248/690	10,984,682 B2 *	4/2021	Schiller	B32B 7/12
D707,553 S *	6/2014	Vantrease	D9/435	D924,976 S *	7/2021	Milbrandt	D20/22
D709,953 S *	7/2014	Williams	D20/22	D928,232 S *	8/2021	Wass	D20/22
D712,154 S *	9/2014	Schiller	G09F 3/08	D931,613 S *	9/2021	Schiller	G09F 3/08
				D3/328					D3/318
D721,402 S *	1/2015	Harvey Pennaz	D20/22	11,198,540 B2 *	12/2021	Hamel	B65D 33/1625
D721,945 S *	2/2015	Underkofler	D8/382	D953,427 S *	5/2022	Huang	D20/11
D723,359 S *	3/2015	O'Connor	D8/382	D957,937 S *	7/2022	Milbrandt	D20/28
D732,670 S *	6/2015	Dwyer	D24/162	2010/0122436 A1 *	5/2010	Takahashi	B65D 33/1625
D756,073 S *	5/2016	Mahoney	D2/877					24/30.5 P
9,403,610 B2 *	8/2016	O'Donnell	G09F 3/06	2011/0086194 A1 *	4/2011	Williams	G09F 3/10
D770,278 S *	11/2016	Woodring	D9/443					428/43
9,481,492 B2 *	11/2016	Vantrease	B65D 33/16	2014/0096347 A1 *	4/2014	Rokvic	E04F 11/1853
9,569,987 B2 *	2/2017	de Jong	G09F 3/206					24/552
D796,320 S *	9/2017	Woodring	D9/443	2015/0213739 A1 *	7/2015	de Jong	G09F 3/0295
9,815,595 B2 *	11/2017	O'Donnell	B32B 37/1284					40/645
					2018/0151092 A1 *	5/2018	Becker	G09F 3/005
					2018/0350275 A1 *	12/2018	Milbrandt	G09F 3/04

* cited by examiner

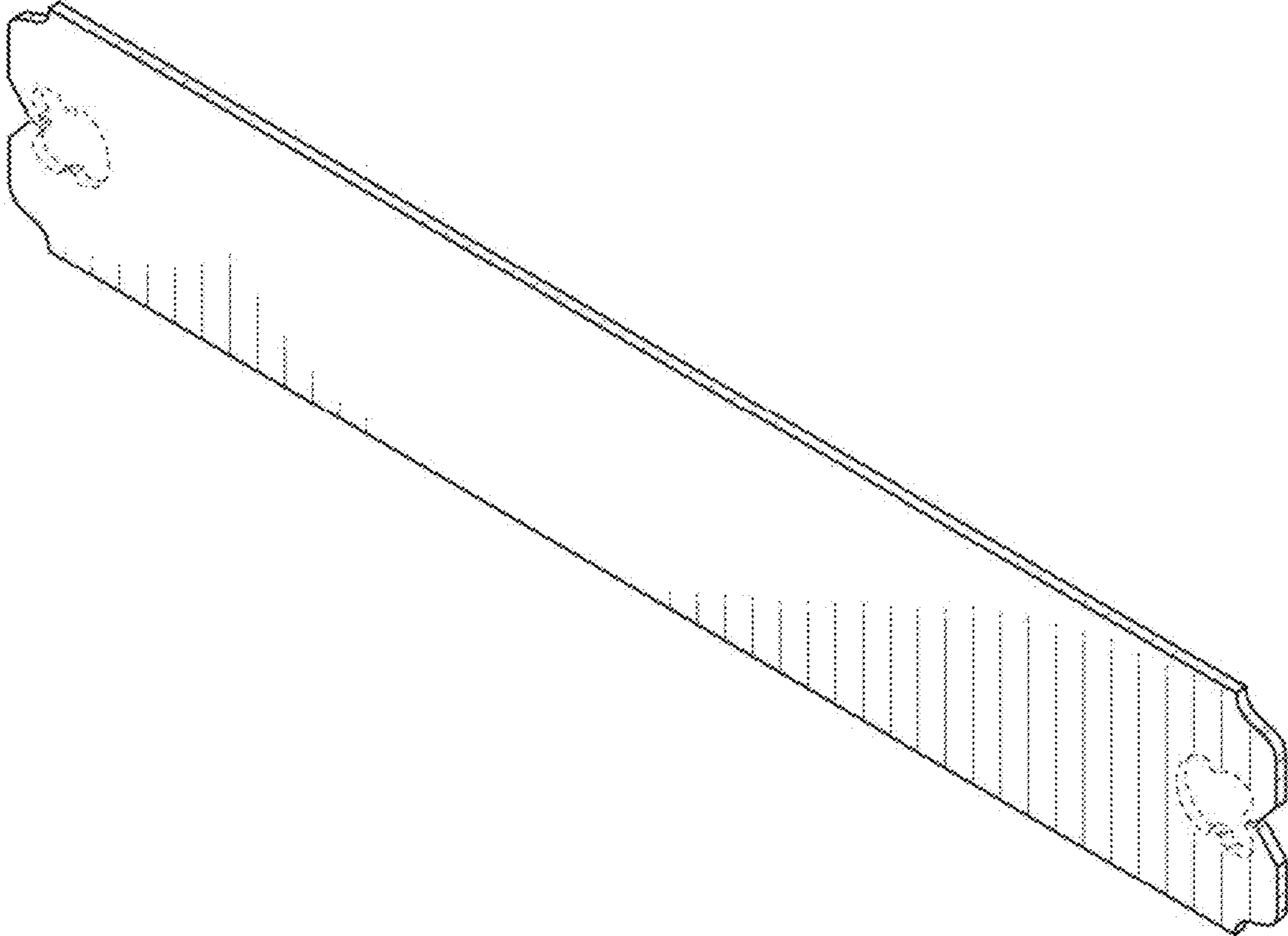


FIG. 1



FIG. 2



FIG. 3



FIG. 4



FIG. 5

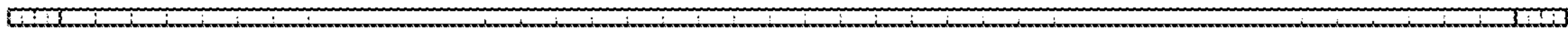


FIG. 6



FIG. 7