



US00D981228S

(12) **United States Design Patent**
McGrath

(10) **Patent No.:** **US D981,228 S**
(45) **Date of Patent:** **** Mar. 21, 2023**

(54) **COSMETIC BOX**

(71) Applicant: **Pat McGrath Cosmetics LLC**

(72) Inventor: **Patricia McGrath**, New York, NY
(US)

(73) Assignee: **PAT MCGRATH COSMETICS LLC.**,
New York, NY (US)

(**) Term: **15 Years**

(21) Appl. No.: **29/820,681**

(22) Filed: **Dec. 23, 2021**

Related U.S. Application Data

(62) Division of application No. 29/688,568, filed on Apr.
23, 2019.

(51) **LOC (14) Cl.** **09-03**

(52) **U.S. Cl.**
USPC **D9/432**

(58) **Field of Classification Search**

USPC D3/20, 202, 203, 203.2, 203.6, 203.7,
D3/207, 242, 318; D9/414-423,
(Continued)

(56) **References Cited**

U.S. PATENT DOCUMENTS

1,625,756 A * 4/1927 Winters B65D 5/00
229/152
D136,489 S * 10/1943 Gefner D9/430
(Continued)

OTHER PUBLICATIONS

Blitztrance LipstickL Announced Aug. 25, 2019 [online]. Site
visited [Feb. 11, 2022. Available from Internet URL: <https://www.patmcgrath.com/products/blitztrance-lipsticks?variant=19629282132037>.*

Primary Examiner — Catherine S Posthauer

(74) *Attorney, Agent, or Firm* — Ziegler IP Law Group,
LLC

(57) **CLAIM**

The ornamental design for a cosmetic box, as shown and
described.

DESCRIPTION

FIG. 1 is a perspective view of a first embodiment of a
cosmetic box showing the new design, the cosmetic box
being shown in a closed state;

FIG. 2 is a front view thereof;

FIG. 3 is a back view thereof;

FIG. 4 is a side view thereof;

FIG. 5 is a side view thereof;

FIG. 6 is an end view thereof;

FIG. 7 is an end view thereof;

FIG. 8 is another perspective view of the cosmetic box of
FIG. 1 shown in a partially open state, revealing the insert
feature;

FIG. 9 is another perspective view thereof, shown in an open
state, and showing the insert feature removed and partially
open;

FIG. 10 is a top plan view of the insert feature thereof,
shown in a flattened state, and shown separately from the
cosmetic box to show aspects of the design not visible when
combined;

FIG. 11 is a perspective view of a second embodiment of a
cosmetic box showing the new design, the cosmetic box
being shown in a closed state;

FIG. 12 is a front view thereof;

FIG. 13 is a back view thereof;

FIG. 14 is a side view thereof;

FIG. 15 is a side view thereof;

FIG. 16 is an end view thereof;

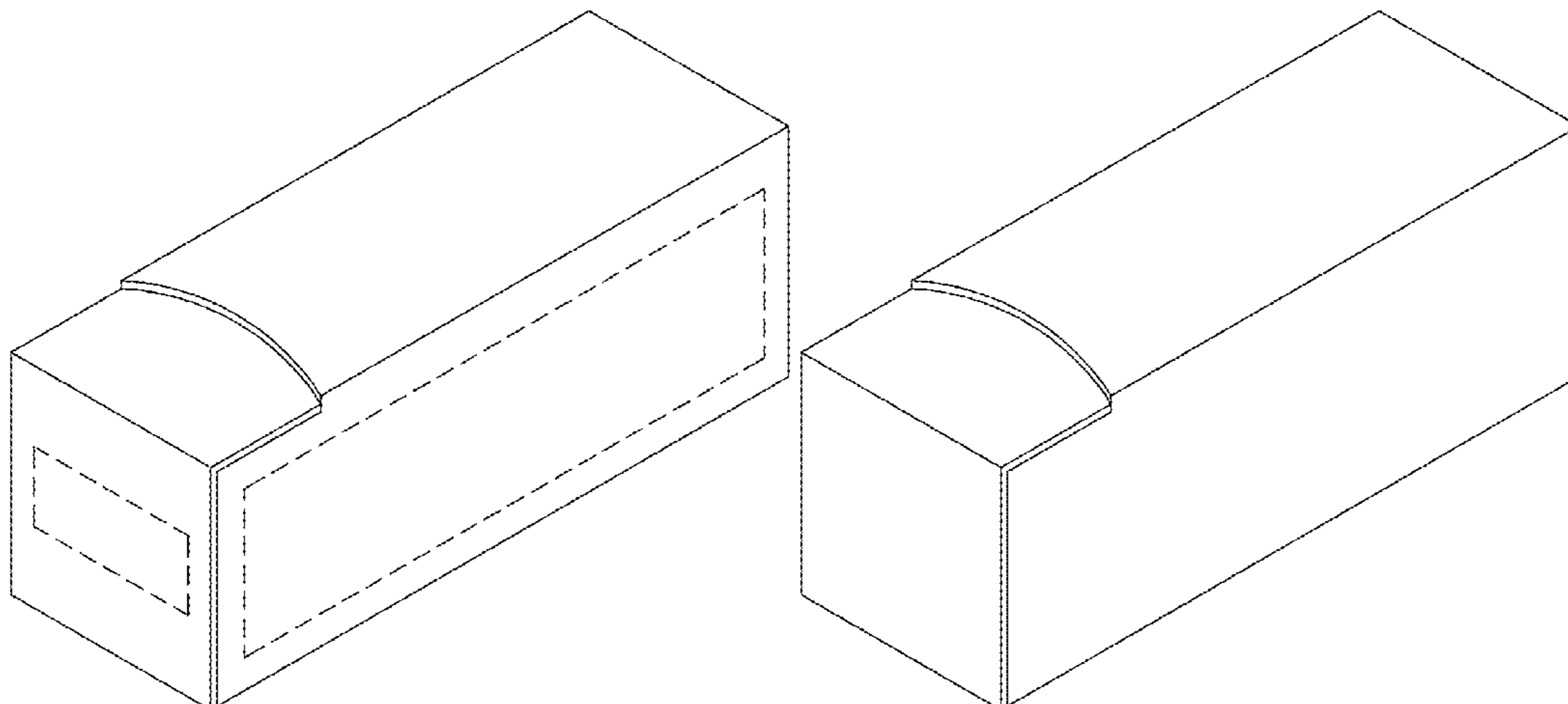
FIG. 17 is an end view thereof;

FIG. 18 is another perspective view of the cosmetic box of
FIG. 11 shown in a partially open state, revealing the insert
feature;

FIG. 19 is another perspective view thereof, shown in an
open state, and showing the insert feature removed and
partially open; and,

FIG. 20 is a top plan view of the insert feature thereof,
shown in a flattened state, and shown separately from the
cosmetic box to show aspects of the design not visible when
combined.

(Continued)



The broken lines are shown for the purpose of illustrating parts of the article that form no part of the claimed design.

(56)

References Cited

U.S. PATENT DOCUMENTS

1 Claim, 20 Drawing Sheets

(58) **Field of Classification Search**

USPC D9/430-433, 434, 443, 456, 457, 711,
 D9/713, 721-722, 737, 756, 758, 759,
 D9/760; D20/10, 11, 22, 23, 27, 28, 40,
 D20/42, 44
 CPC B65D 5/22; B65D 5/4245; B65D 43/153;
 B65D 43/22; B65D 81/264; B65D 33/18;
 B65D 33/08; B65D 33/12; B65D
 2401/15; B65D 17/4014; B65D 17/0014;
 B65D 17/0025; B65D 17/0044; B65D
 23/10; B65D 5/54; B65D 5/4212; B65D
 5/4608; B65D 5/60; B65D 5/00; B65D
 5/02; B65D 5/18; B65D 5/20; B65D
 2203/00; A45D 33/18; A45D 34/00;
 A45D 2034/007; A45D 2040/0012; A01N
 1/0263; A47J 45/077; A47J 45/07; A63H
 27/001

See application file for complete search history.

D255,995	S	*	7/1980	Kinslow	D9/423
D604,602	S	*	11/2009	Kohno	D9/418
D683,242	S	*	5/2013	Logue	D9/721
D684,049	S	*	6/2013	McCarthy	D9/432
D711,734	S	*	8/2014	Kim	D9/415
D764,903	S	*	8/2016	Sanfilippo	D9/416
D832,115	S	*	10/2018	Fitchett	D3/307
D854,410	S	*	7/2019	Hoshikawa	D9/423
D879,602	S	*	3/2020	Ahlgren	D9/416
D900,466	S	*	11/2020	McGrath	D3/203.3
D901,294	S	*	11/2020	McGrath	D9/420
D905,549	S	*	12/2020	McGrath	D9/420
D918,477	S	*	5/2021	McGrath	D28/83
D918,478	S	*	5/2021	McGrath	D28/83
D925,127	S	*	7/2021	McGrath	D28/76
D932,297	S	*	10/2021	McGrath	D9/420
D942,264	S	*	2/2022	Marotti	D9/418
2010/0120594	A1	*	5/2010	Little	B65D 5/0075 493/56
2013/0319963	A1	*	12/2013	Coon	B65D 5/22 493/51
2020/0307854	A1	*	10/2020	McGrath	B65D 5/6602

* cited by examiner

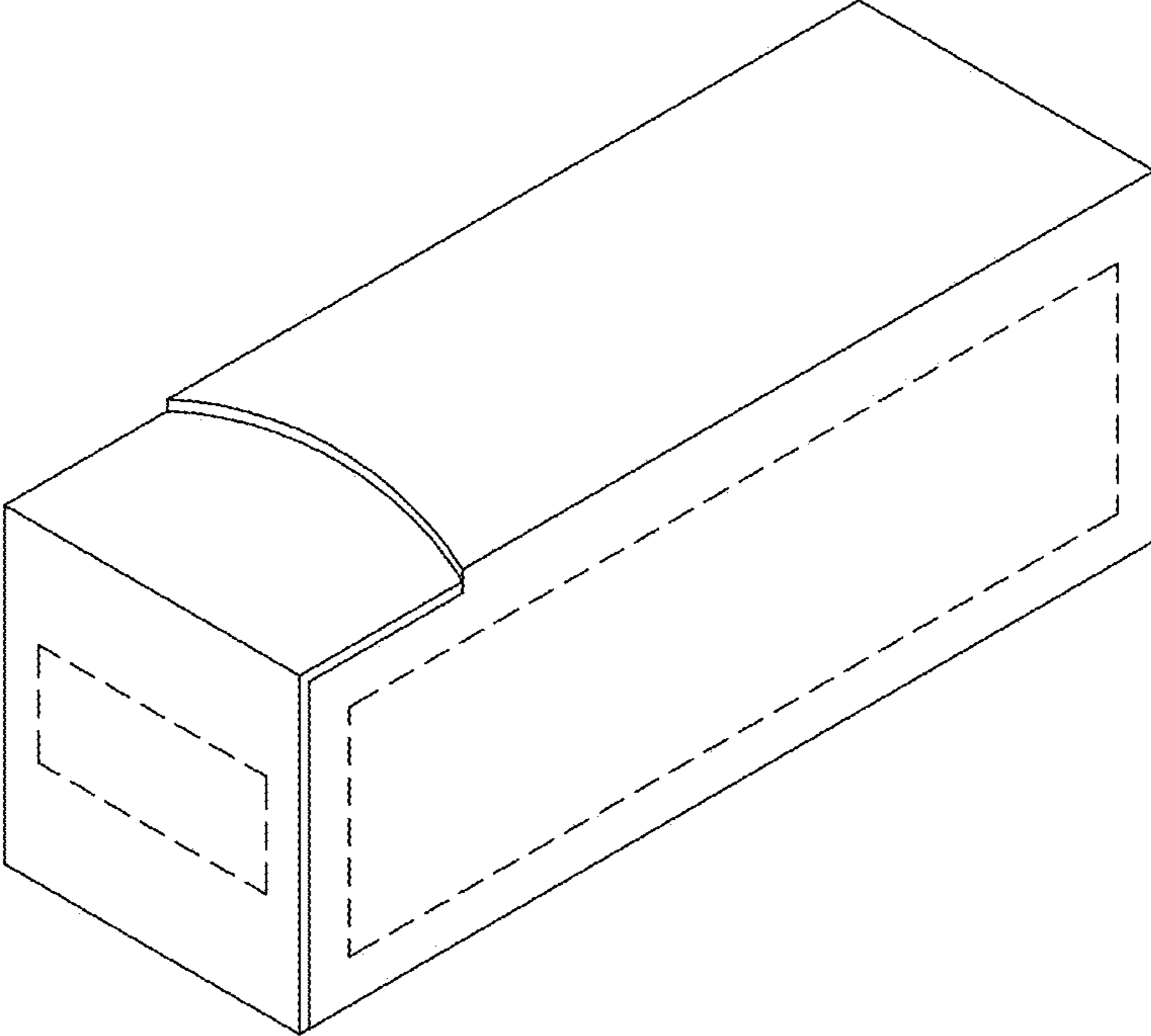


FIG. 1

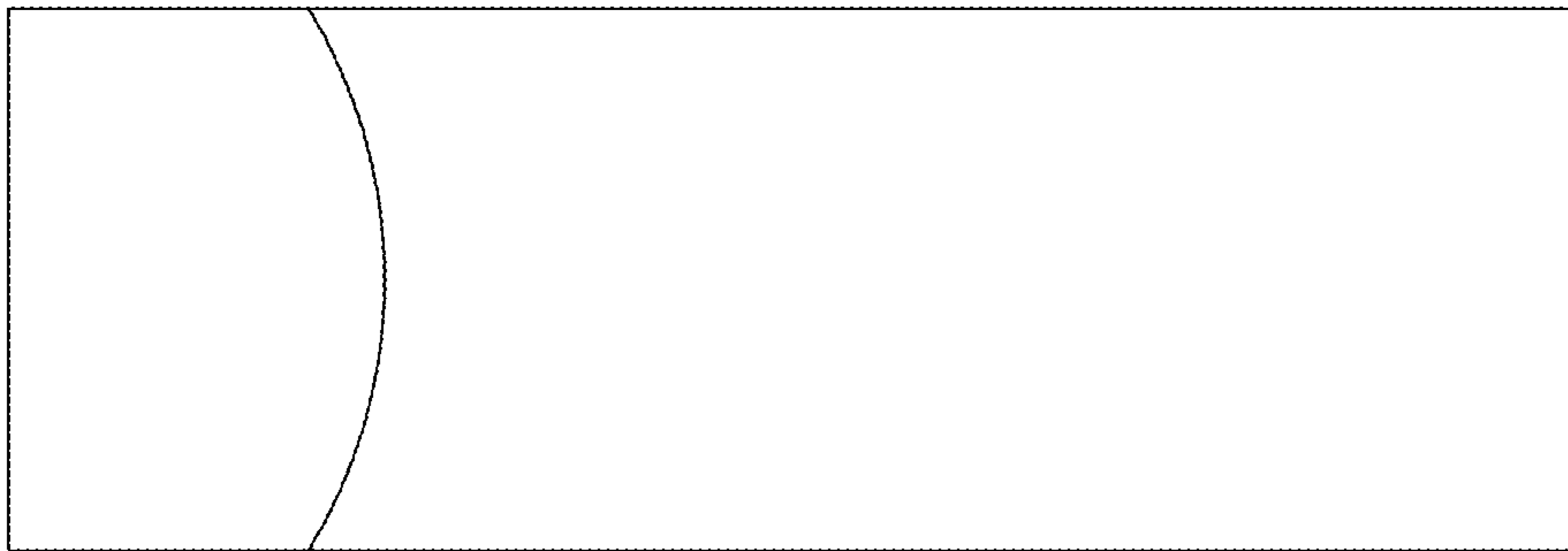


FIG. 2

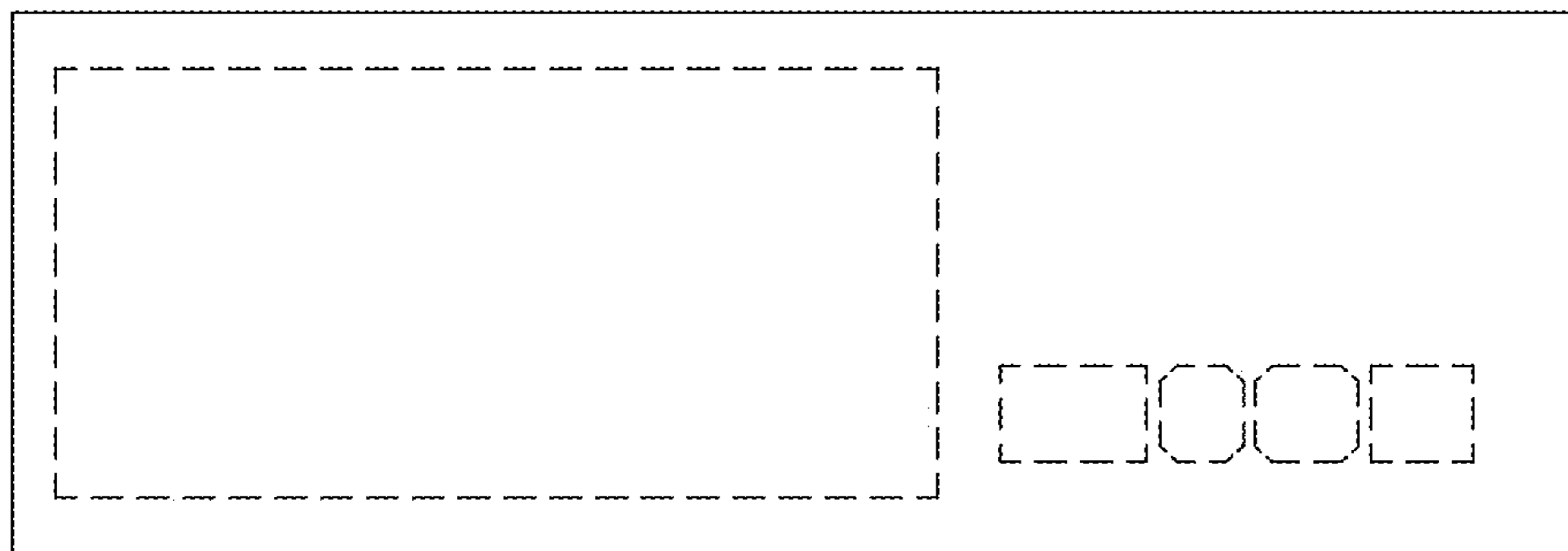


FIG. 3

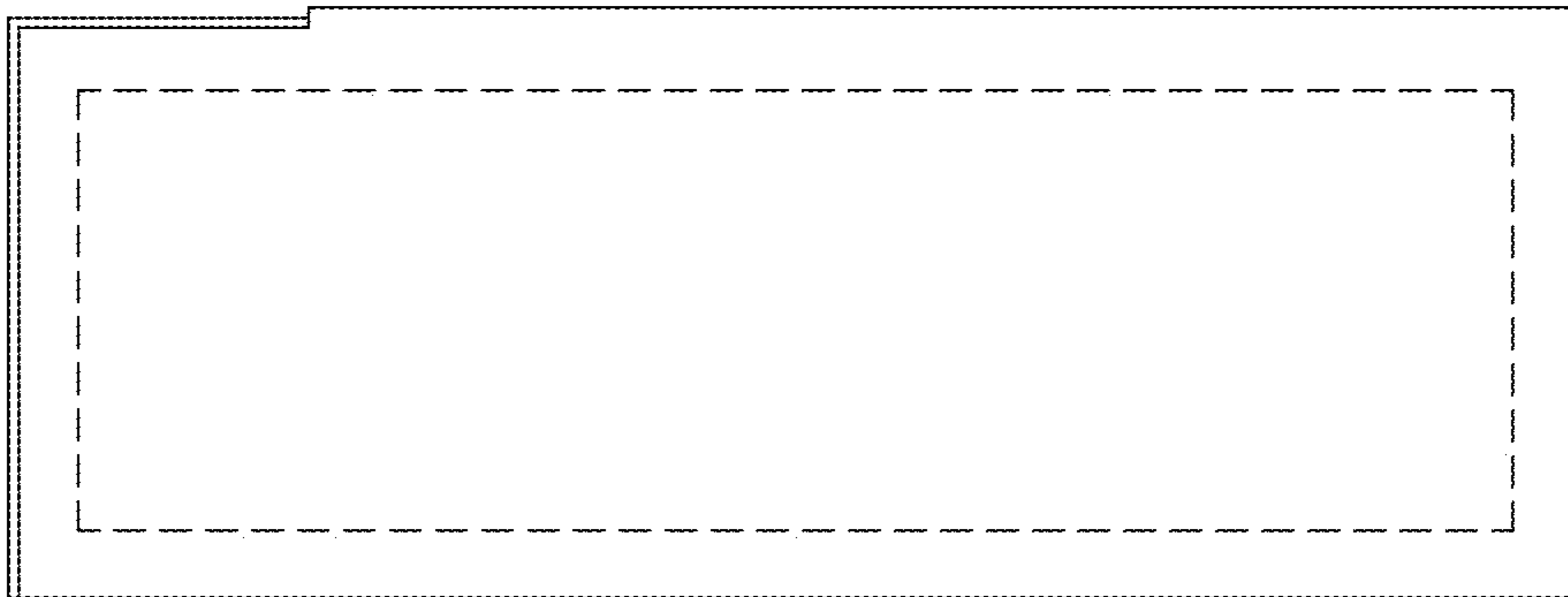


FIG. 4

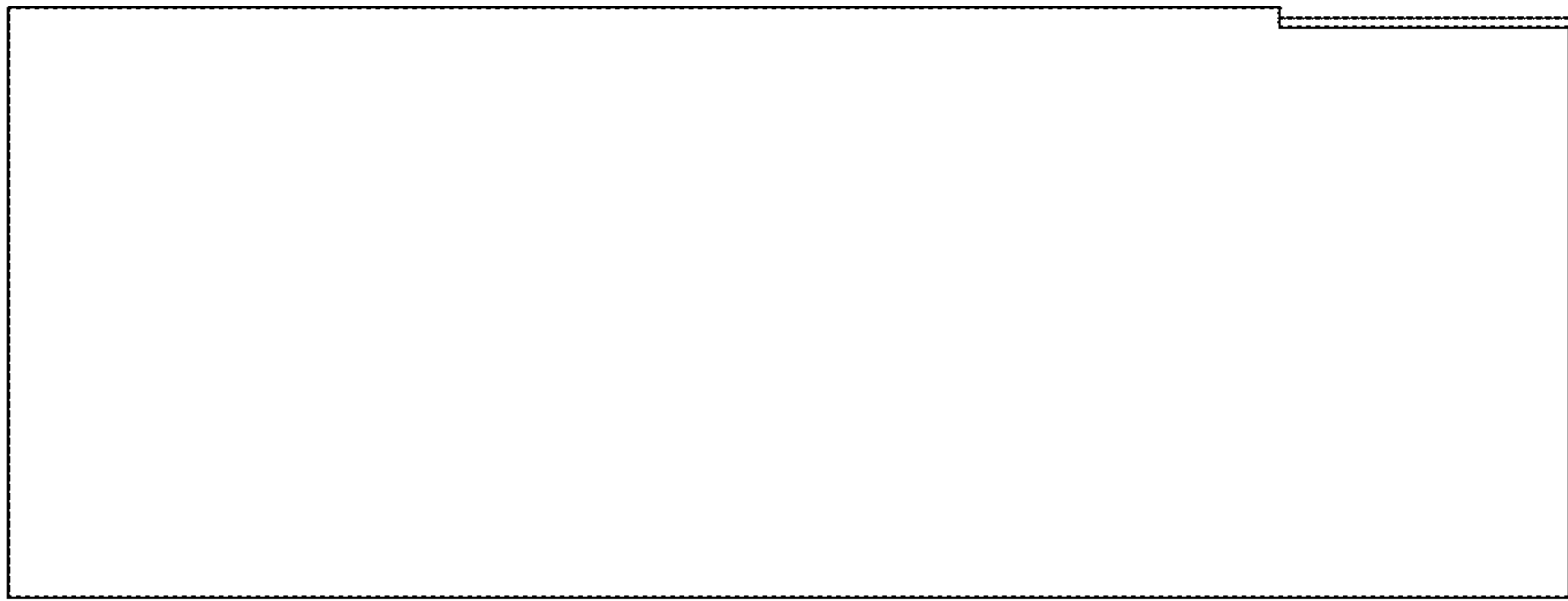


FIG. 5

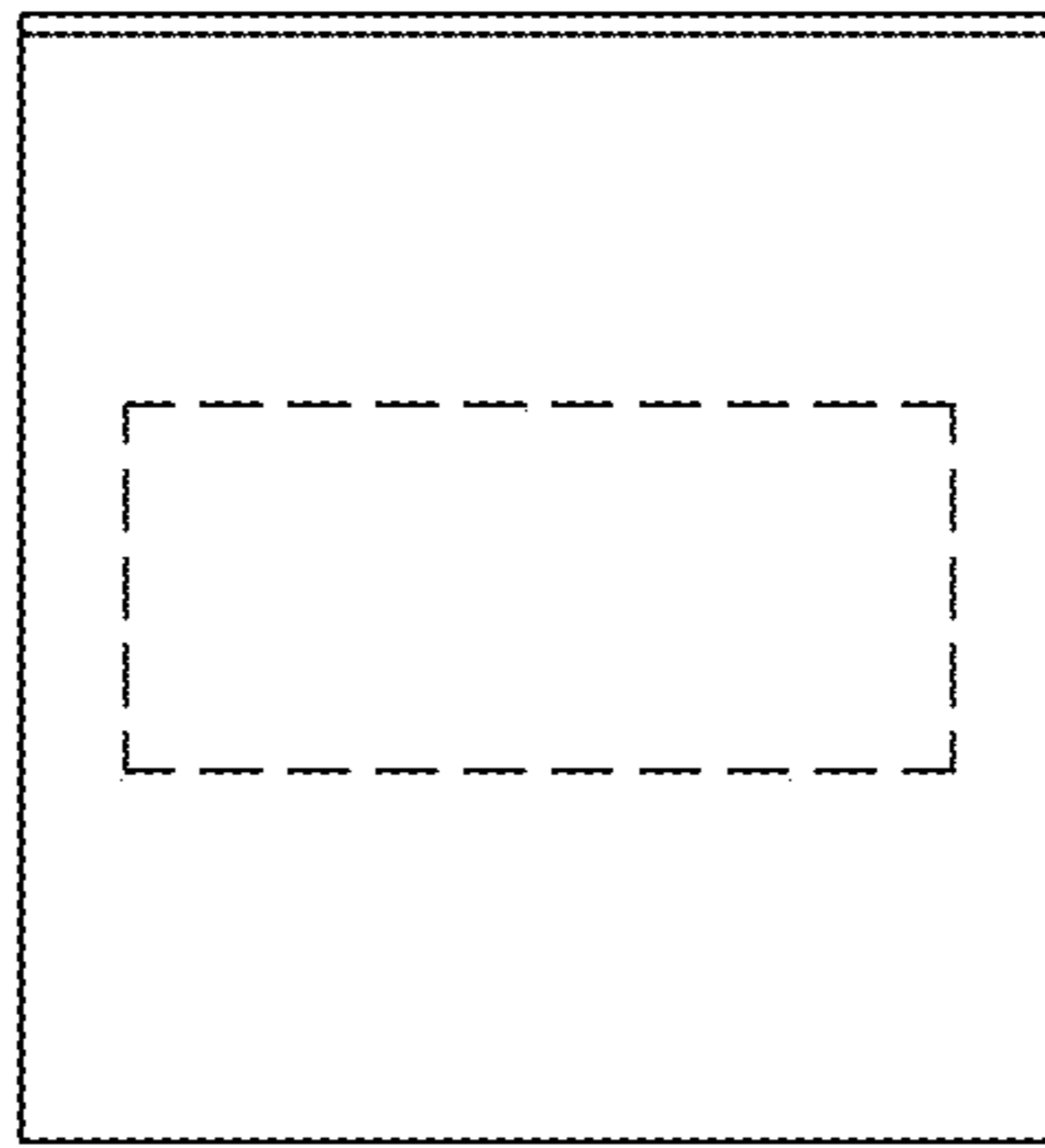


FIG. 6

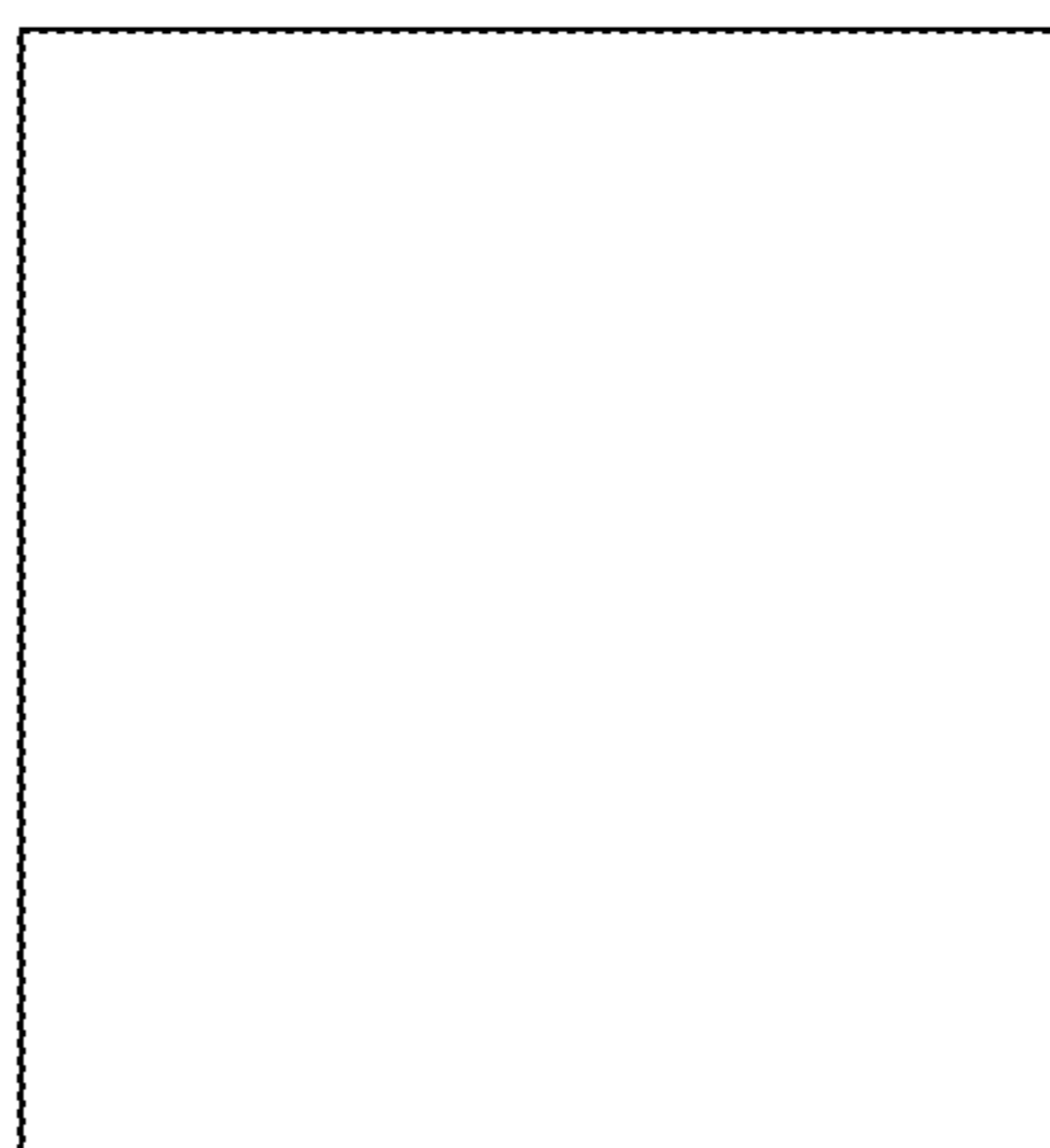


FIG. 7

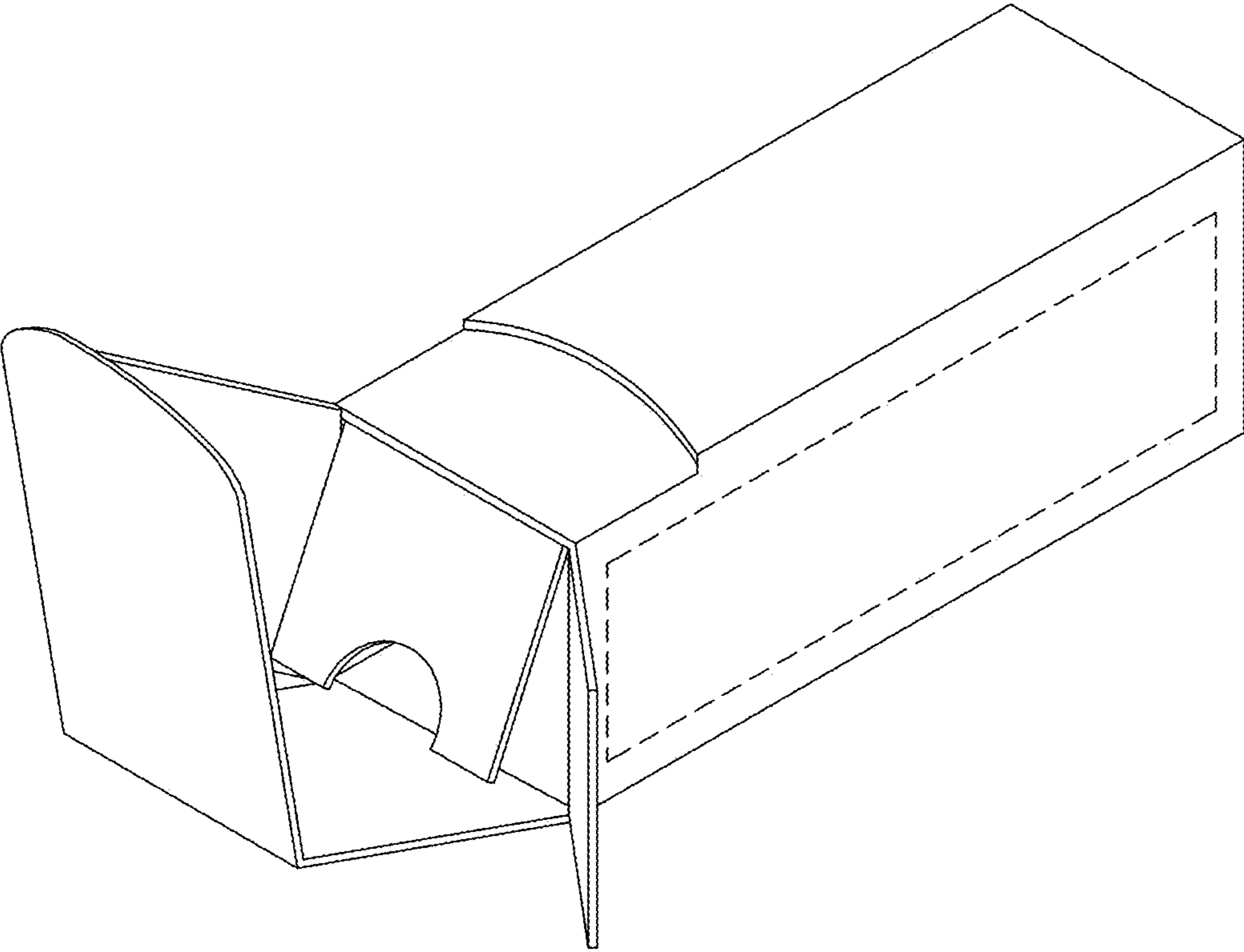


FIG. 8

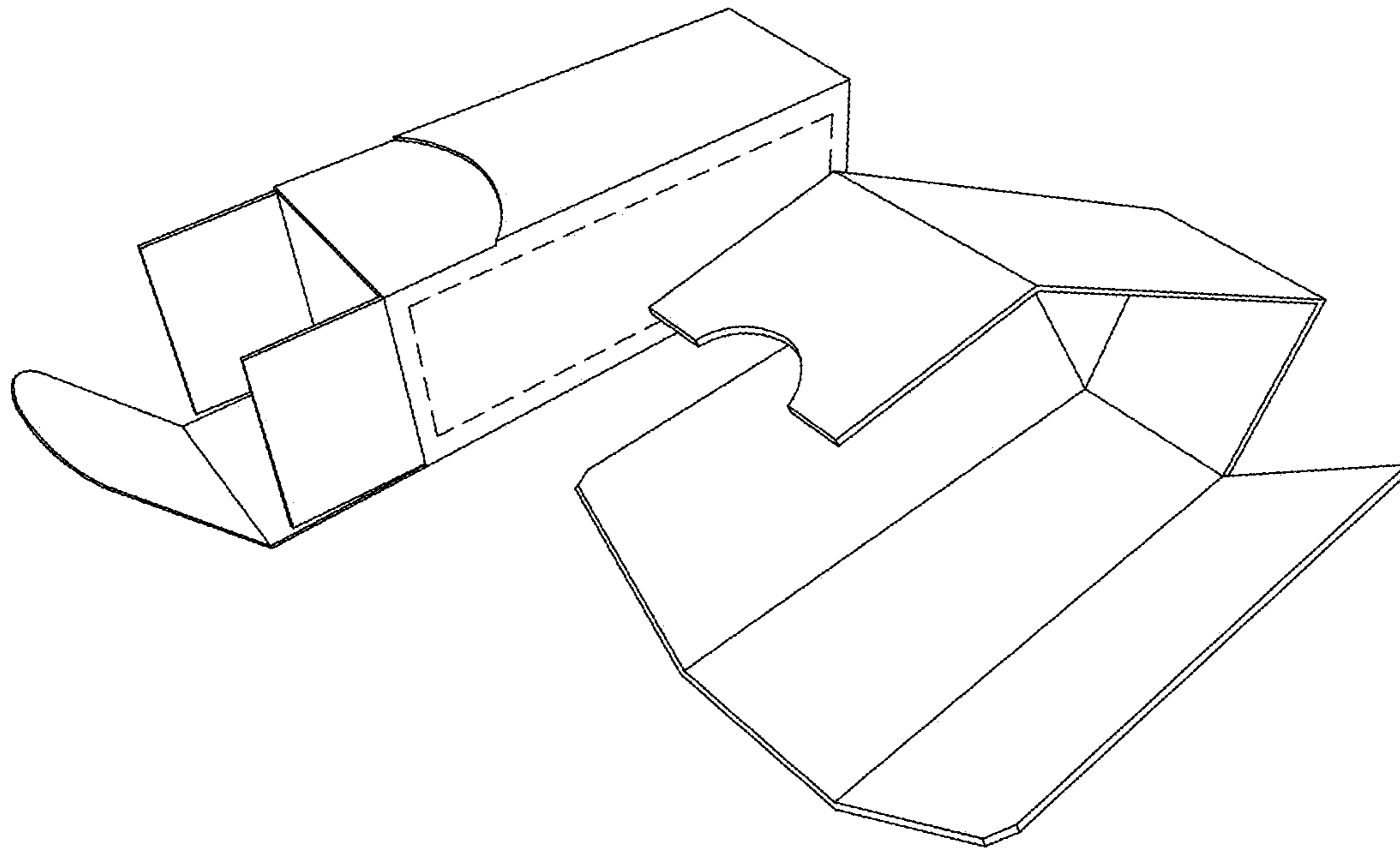


FIG. 9

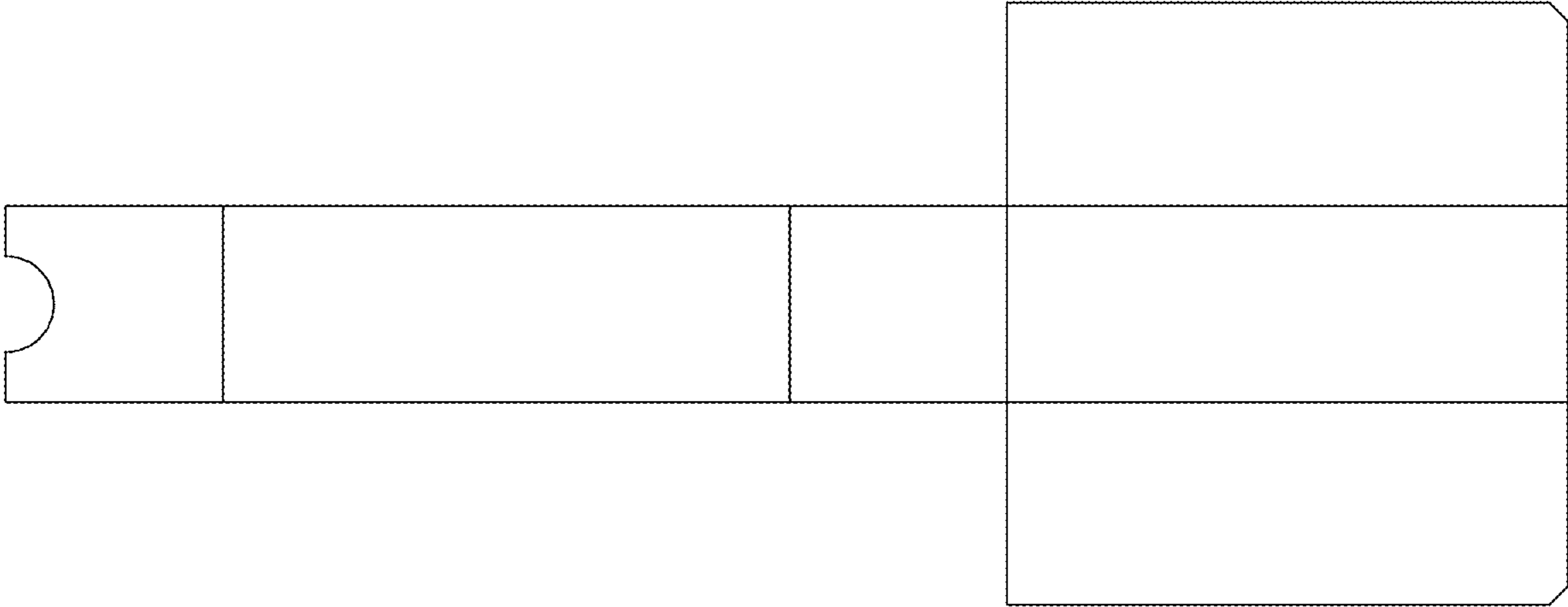


FIG. 10

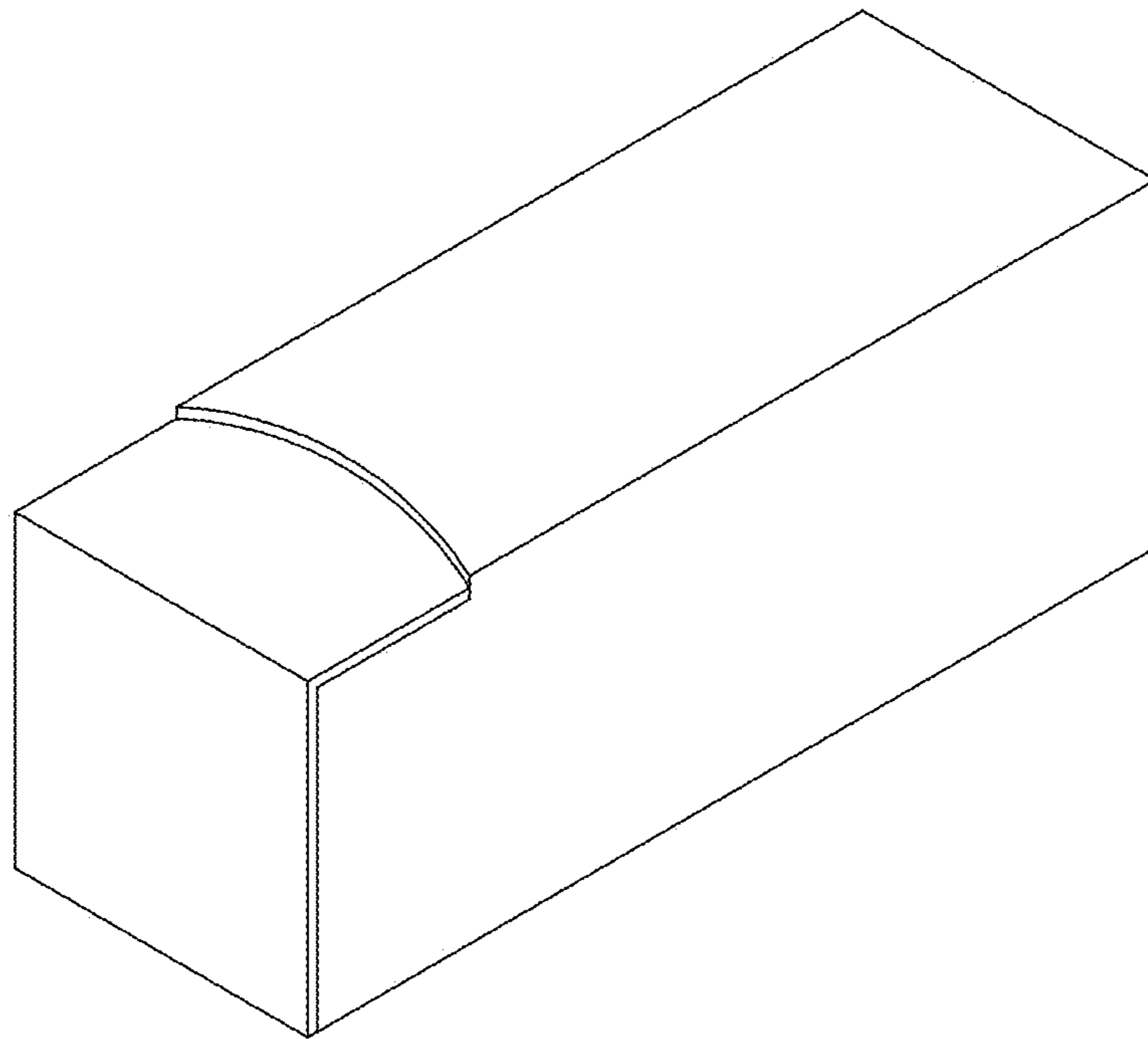


FIG. 11

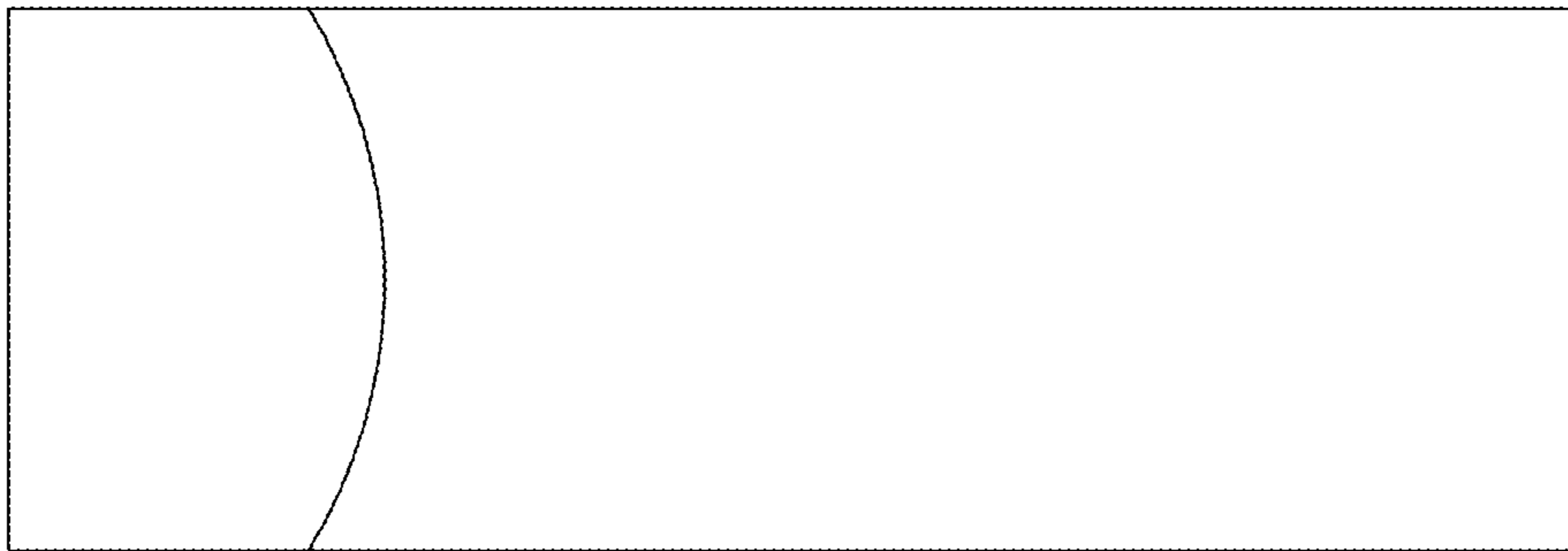


FIG. 12



FIG. 13



FIG. 14

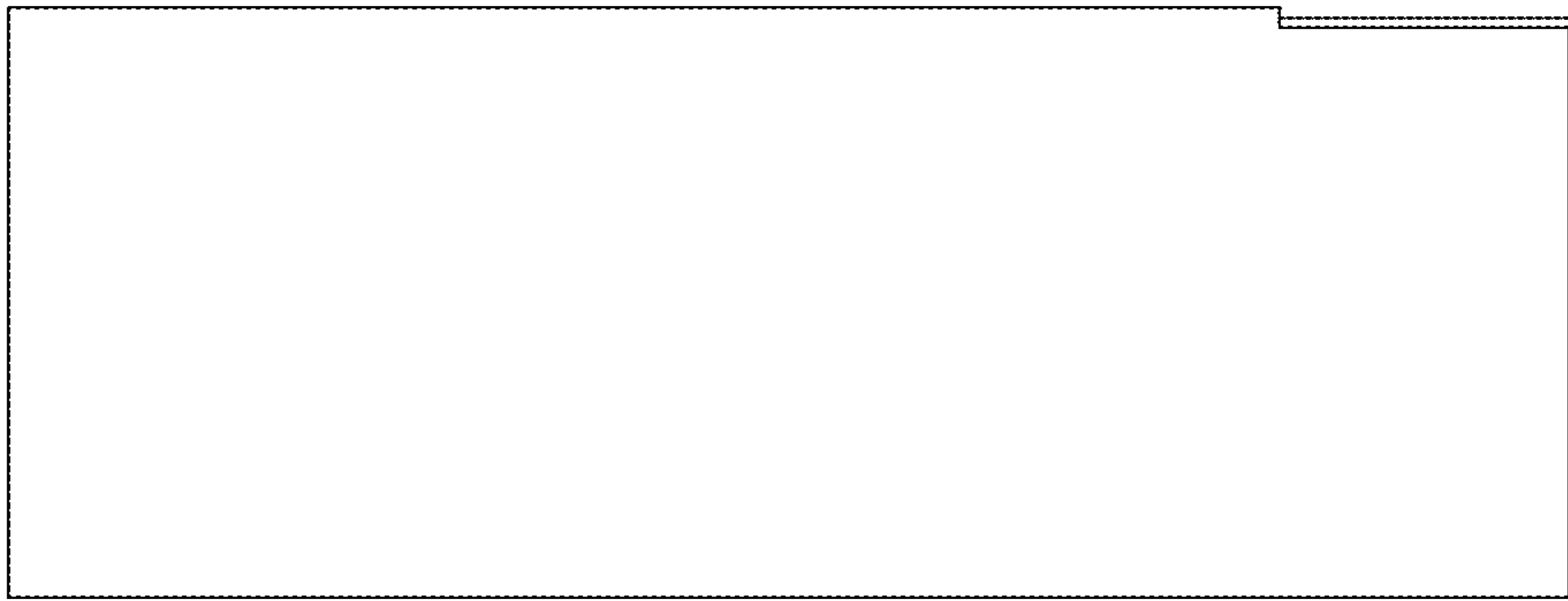


FIG. 15

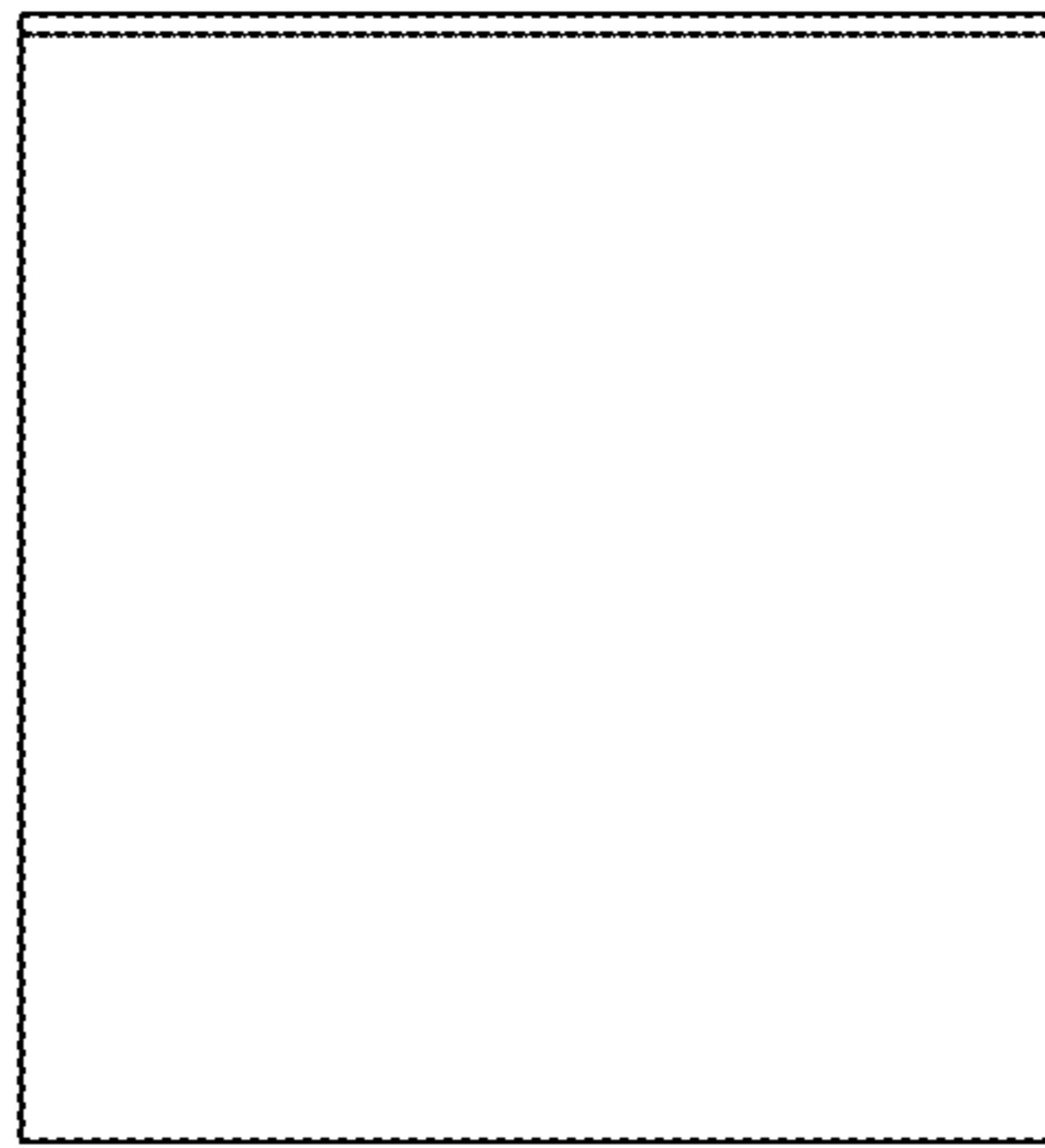


FIG. 16

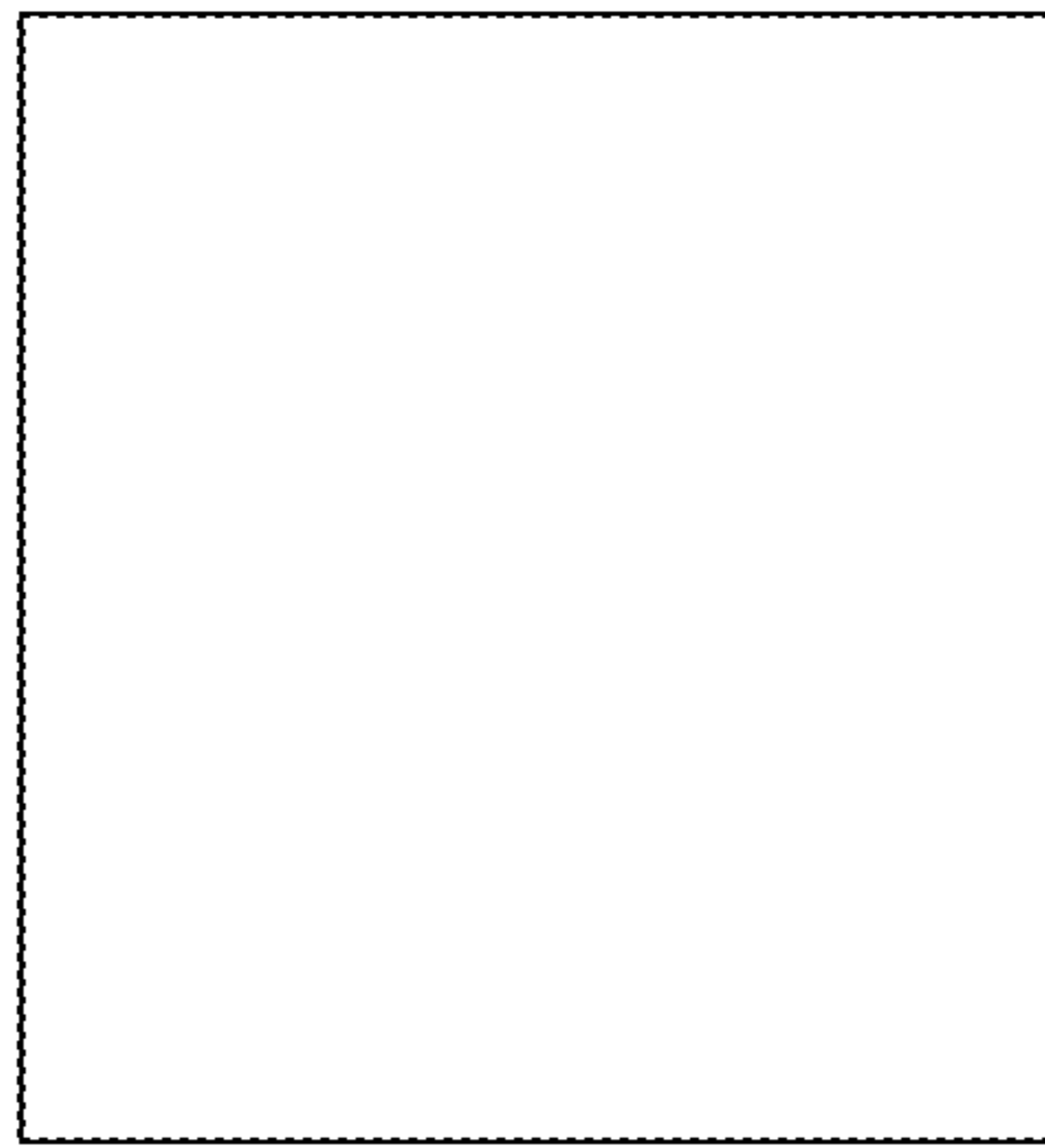


FIG. 17

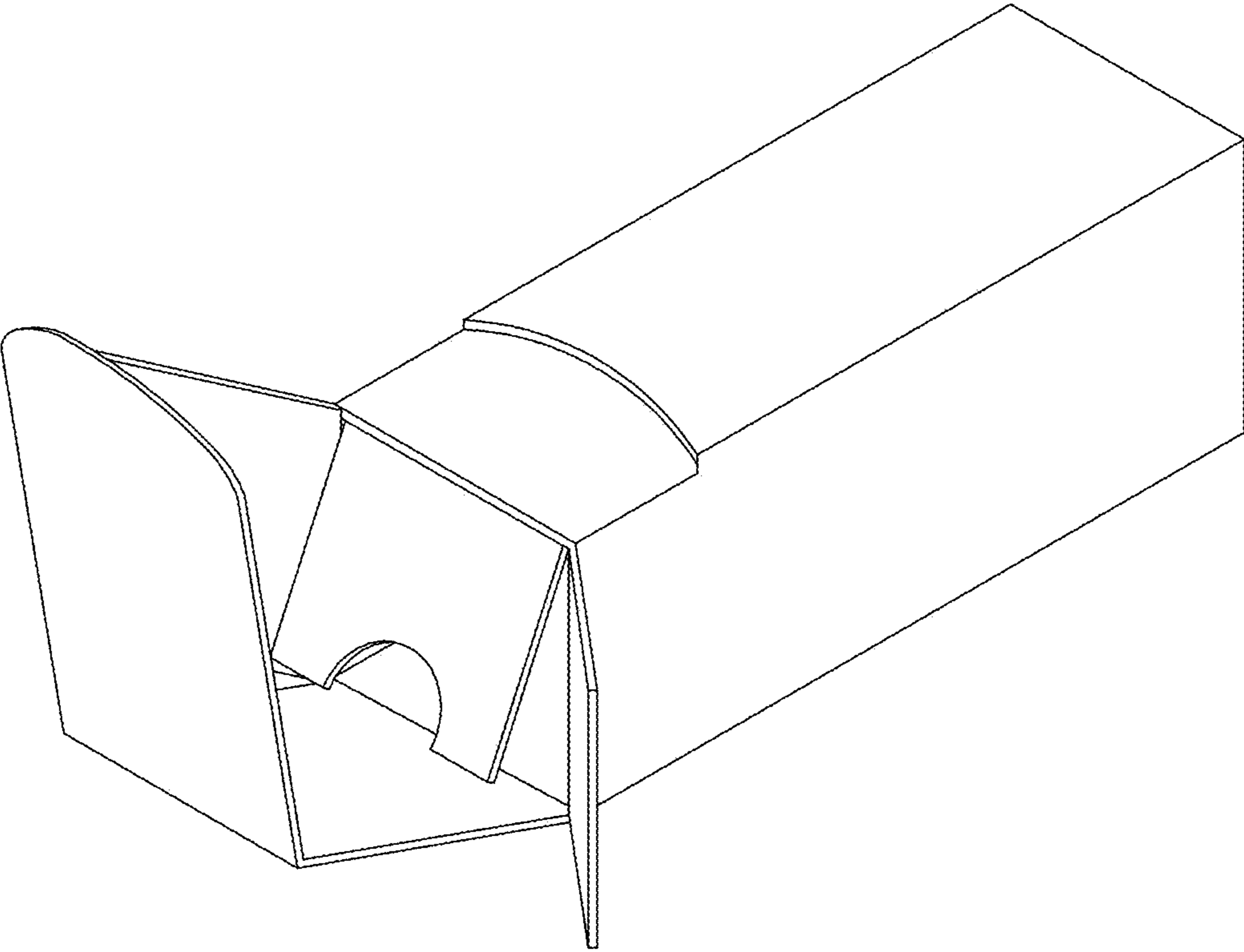


FIG. 18

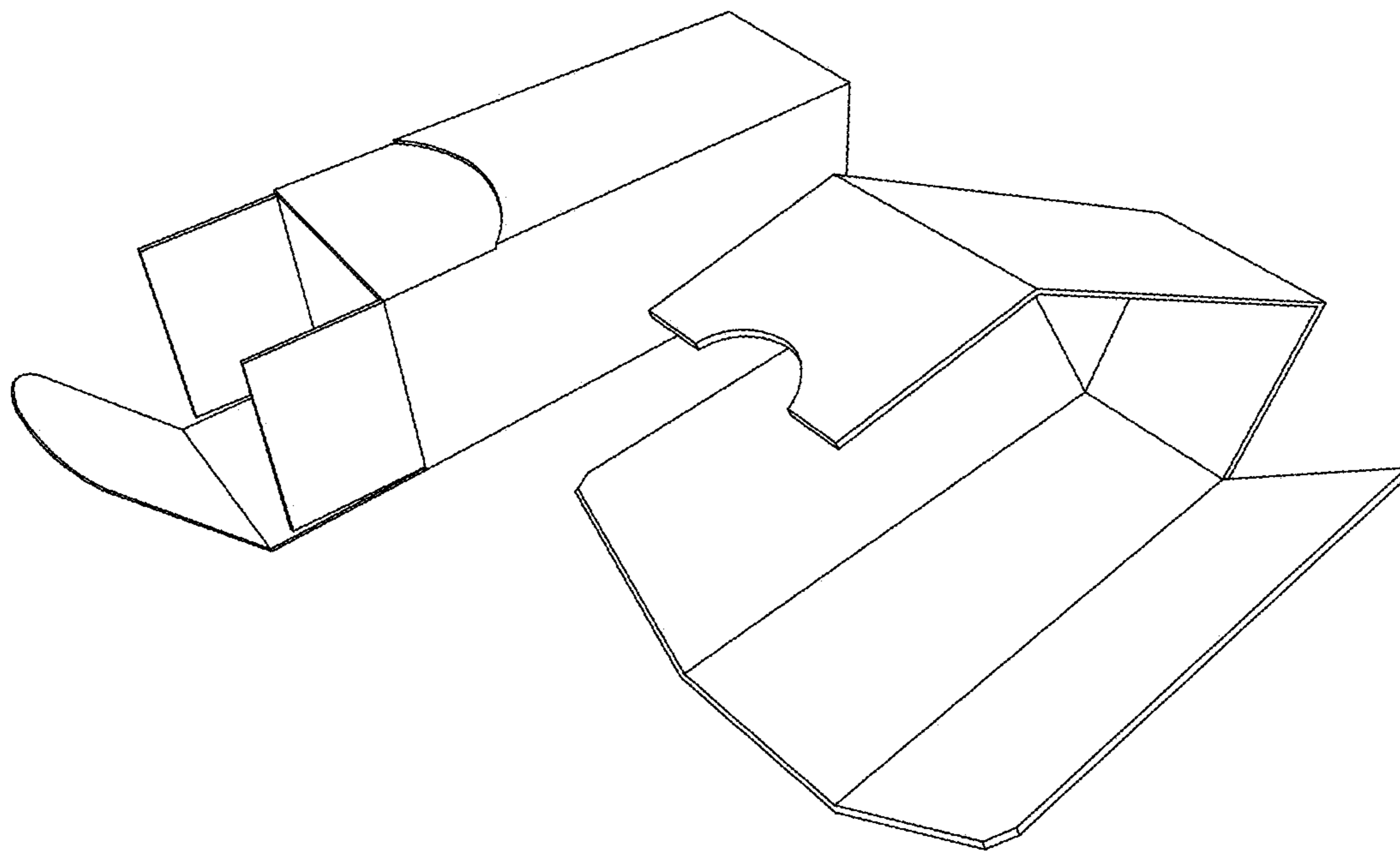


FIG. 19

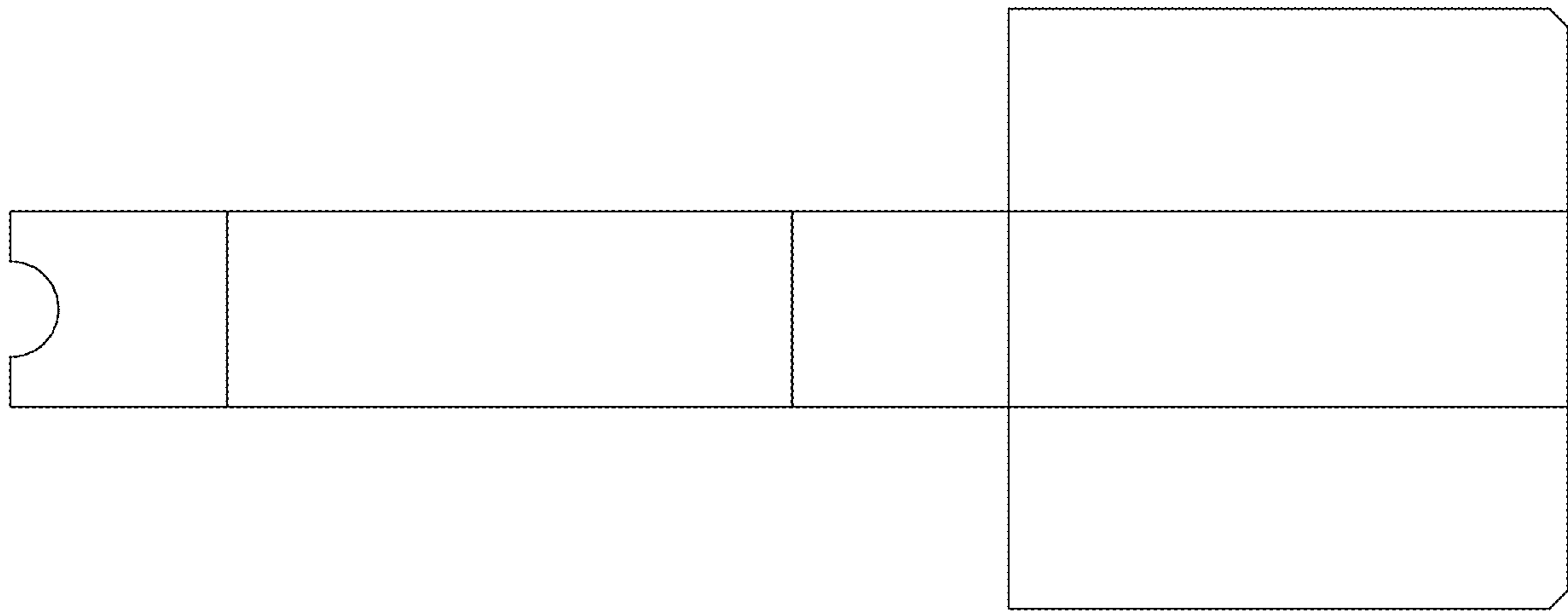


FIG. 20