



US00D981227S

(12) **United States Design Patent**
McGrath

(10) **Patent No.:** **US D981,227 S**
(45) **Date of Patent:** **** Mar. 21, 2023**

(54) **COSMETIC BOX**

(71) Applicant: **Pat McGrath Cosmetics LLC**, New York, NY (US)

(72) Inventor: **Patricia McGrath**, New York, NY (US)

(73) Assignee: **Pat McGrath Cosmetics LLC**, New York, NY (US)

(**) Term: **15 Years**

(21) Appl. No.: **29/688,568**

(22) Filed: **Apr. 23, 2019**

(30) **Foreign Application Priority Data**

Oct. 24, 2018 (GB) 6047046

(51) **LOC (14) Cl.** **09-03**

(52) **U.S. Cl.**
USPC **D9/432**

(58) **Field of Classification Search**
USPC D3/20, 202, 203, 203.2, 203.6, 203.7,
D3/207, 242, 318; D9/414-423,
(Continued)

(56) **References Cited**

U.S. PATENT DOCUMENTS

1,625,756 A * 4/1927 Winters B65D 5/00
229/103.2

D136,489 S * 10/1943 Geffner D9/430
(Continued)

OTHER PUBLICATIONS

Blitztrance Lipstick: Announced Aug. 25, 2019 [online]. Site Visited [Oct. 18, 2021]. Available from Internet URL: <https://www.patmcgrath.com/products/blitztrance-lipsticks>.*

Primary Examiner — Catherine S Posthauer

(74) *Attorney, Agent, or Firm* — Ziegler IP Law Group LLC

(57) **CLAIM**

The ornamental design for a cosmetic box, as shown and described.

DESCRIPTION

FIG. 1 is a perspective view of a first embodiment of a cosmetic box showing the new design, the cosmetic box being shown in a closed state;

FIG. 2 is a front view thereof;

FIG. 3 is a back view thereof;

FIG. 4 is a side view thereof;

FIG. 5 is a side view thereof;

FIG. 6 is an end view thereof;

FIG. 7 is an end view thereof;

FIG. 8 is another perspective view of the cosmetic box of FIG. 1 shown in a partially open state, revealing the insert feature;

FIG. 9 is another perspective view thereof, shown in an open state, and showing the insert feature removed and partially open.

FIG. 10 is a top plan view of the insert feature thereof, shown in a flattened state, and shown separately from the cosmetic box to show aspects of the design not visible when combined;

FIG. 11 is a perspective view of a second embodiment of a cosmetic box showing the new design, the cosmetic box being shown in a closed state;

FIG. 12 is a front view thereof;

FIG. 13 is a back view thereof;

FIG. 14 is a side view thereof;

FIG. 15 is a side view thereof;

FIG. 16 is an end view thereof;

FIG. 17 is an end view thereof;

FIG. 18 is another perspective view of the cosmetic box of FIG. 11 shown in a partially open state, revealing the insert feature;

FIG. 19 is another perspective view thereof, shown in an open state, and showing the insert feature removed and partially open.

(Continued)

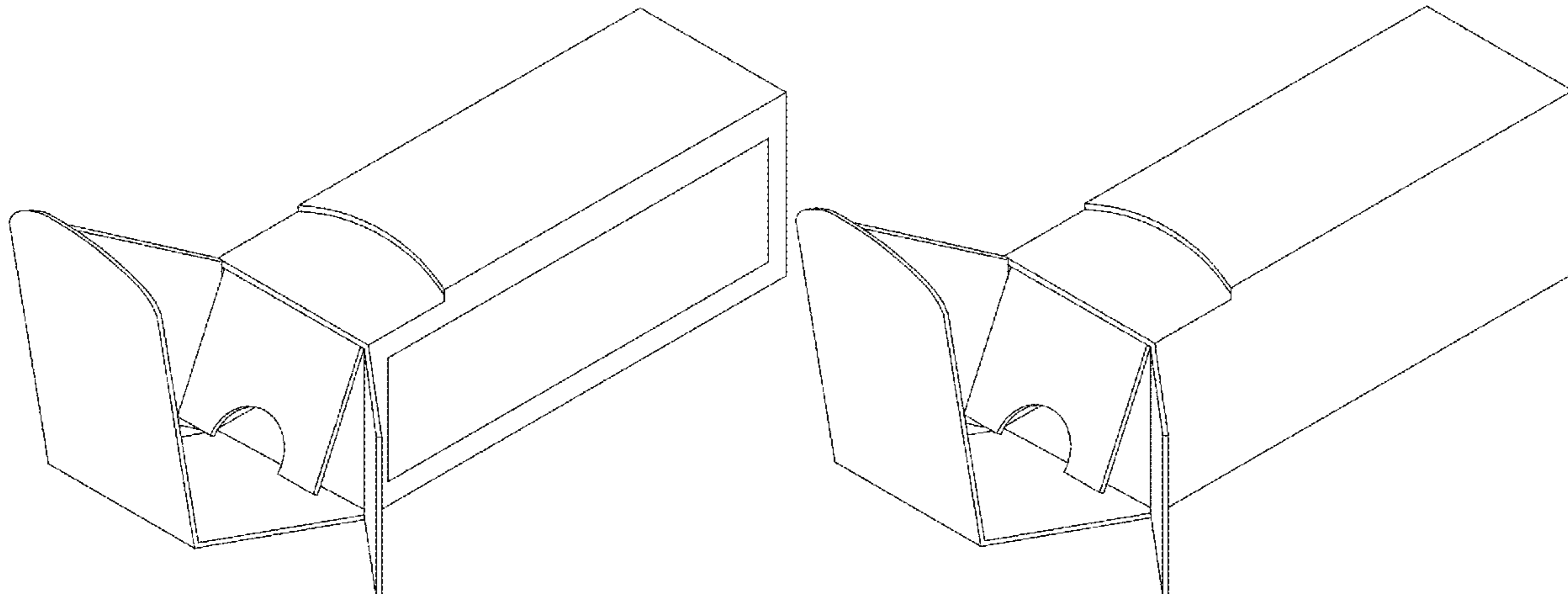


FIG. 20 is a top plan view of the insert feature thereof, shown in a flattened state, and shown separately from the cosmetic box to show aspects of the design not visible when combined;

FIG. 21 is a perspective view of a third embodiment of a cosmetic box showing the new design, the cosmetic box being shown in a closed state;

FIG. 22 is a front view thereof;

FIG. 23 is a back view thereof;

FIG. 24 is a side view thereof;

FIG. 25 is a side view thereof;

FIG. 26 is an end view thereof;

FIG. 27 is an end view thereof;

FIG. 28 is another perspective view of the cosmetic box of FIG. 21 shown in a partially open state, revealing the insert feature;

FIG. 29 is another perspective view thereof, shown in an open state, and showing the insert feature removed and partially open;

FIG. 30 is a top plan view of the insert feature thereof, shown in a flattened state, and shown separately from the cosmetic box to show aspects of the design not visible when combined;

FIG. 31 is a perspective view of a fourth embodiment of a cosmetic box showing the new design, the cosmetic box being shown in a closed state;

FIG. 32 is a front view thereof;

FIG. 33 is a back view thereof;

FIG. 34 is a side view thereof;

FIG. 35 is a side view thereof;

FIG. 36 is an end view thereof;

FIG. 37 is an end view thereof;

FIG. 38 is another perspective view of the cosmetic box of FIG. 31 shown in a partially open state, revealing the insert feature;

FIG. 39 is a perspective view thereof, shown in an open state, and showing the insert removed and partially open; and,

FIG. 40 is a top plan view of the insert feature thereof, shown in a flattened state, and shown separately from the cosmetic box to show aspects of the design not visible when combined.

The broken lines are shown for the purpose of illustrating parts of the article that form no part of the claimed design.

1 Claim, 40 Drawing Sheets

(58) **Field of Classification Search**

USPC D9/430-433, 434, 443, 456, 457, 711, D9/713, 721-722, 737, 756, 758, 759, D9/760; D20/10, 11, 22, 23, 27, 28, 40, D20/42, 44

CPC B65D 5/22; B65D 5/4245; B65D 43/153; B65D 43/22; B65D 81/264; B65D 33/18; B65D 33/08; B65D 33/12; B65D 2401/15; B65D 17/4014; B65D 17/0014; B65D 17/0025; B65D 17/0044; B65D 23/10; B65D 5/54; B65D 5/4212; B65D 5/4608; B65D 5/60; B65D 5/00; B65D 5/02; B65D 5/18; B65D 5/20; B65D 2203/00; A45D 33/18; A45D 34/00; A45D 2034/007; A45D 2040/0012; A01N 1/0263; A47J 45/077; A47J 45/07; A63H 27/001

See application file for complete search history.

(56) **References Cited**

U.S. PATENT DOCUMENTS

D255,995	S	*	7/1980	Kinslow	D9/423
D604,602	S	*	11/2009	Kohno	D9/418
D683,242	S	*	5/2013	Logue	D9/721
D684,049	S	*	6/2013	McCarthy	D9/432
D711,734	S	*	8/2014	Kim	D9/415
D764,903	S	*	8/2016	Sanfilippo	D9/416
D832,115	S	*	10/2018	Fitchett	D9/711
D854,410	S	*	7/2019	Hoshikawa	D9/423
D879,602	S	*	3/2020	Ahlgren	D9/416
D900,466	S	*	11/2020	McGrath	D3/203.3
D901,294	S	*	11/2020	McGrath	D9/432
D905,549	S	*	12/2020	McGrath	D9/432
D918,477	S	*	5/2021	McGrath	D28/83
D918,478	S	*	5/2021	McGrath	D28/83
D925,127	S	*	7/2021	McGrath	D28/89
D932,297	S	*	10/2021	McGrath	D9/432
2010/0120594	A1	*	5/2010	Little	B65D 5/0075 493/56
2013/0319963	A1	*	12/2013	Coon	B65D 5/002 211/149
2020/0307854	A1	*	10/2020	McGrath	B31B 50/004

* cited by examiner

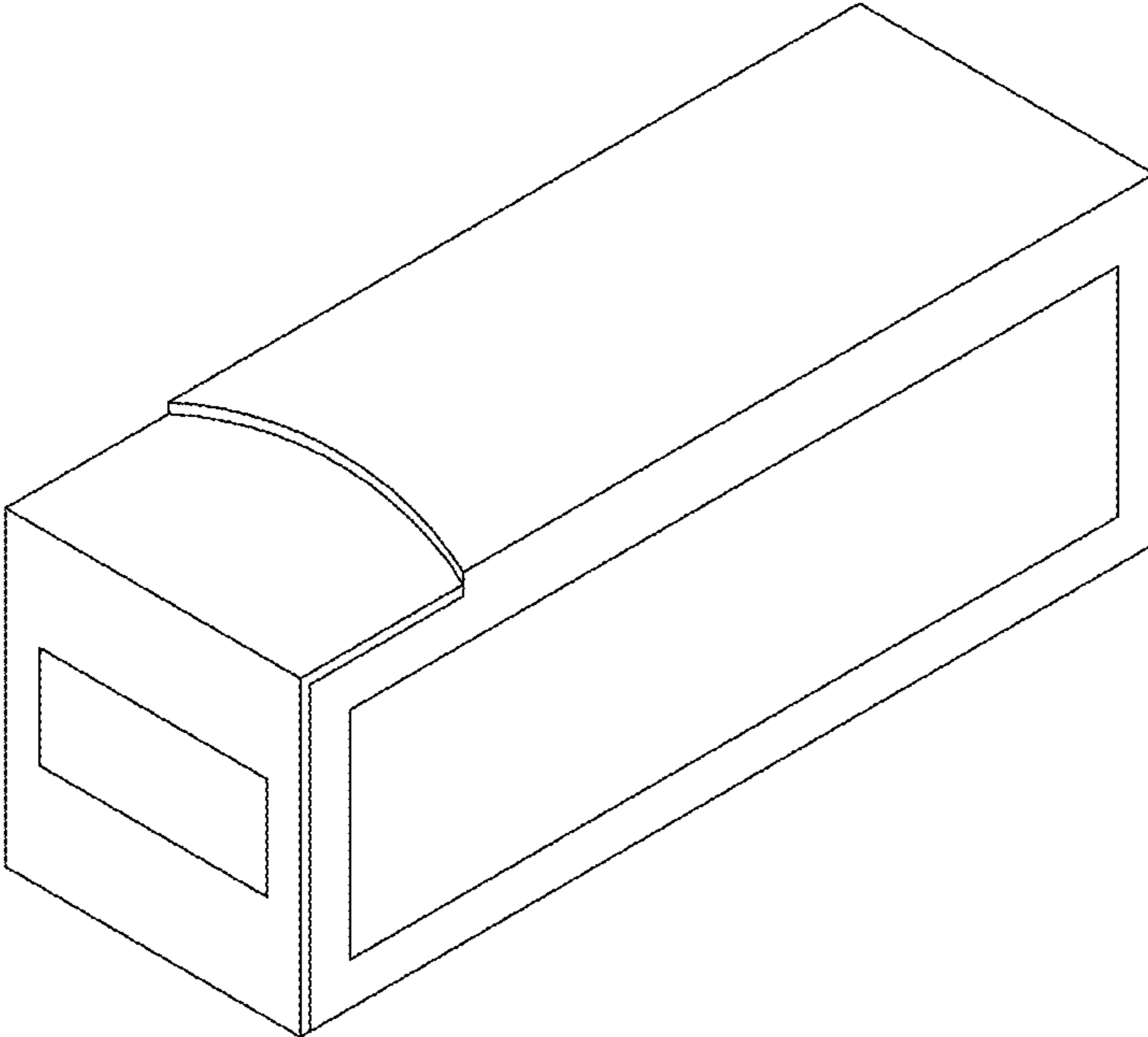


FIG. 1

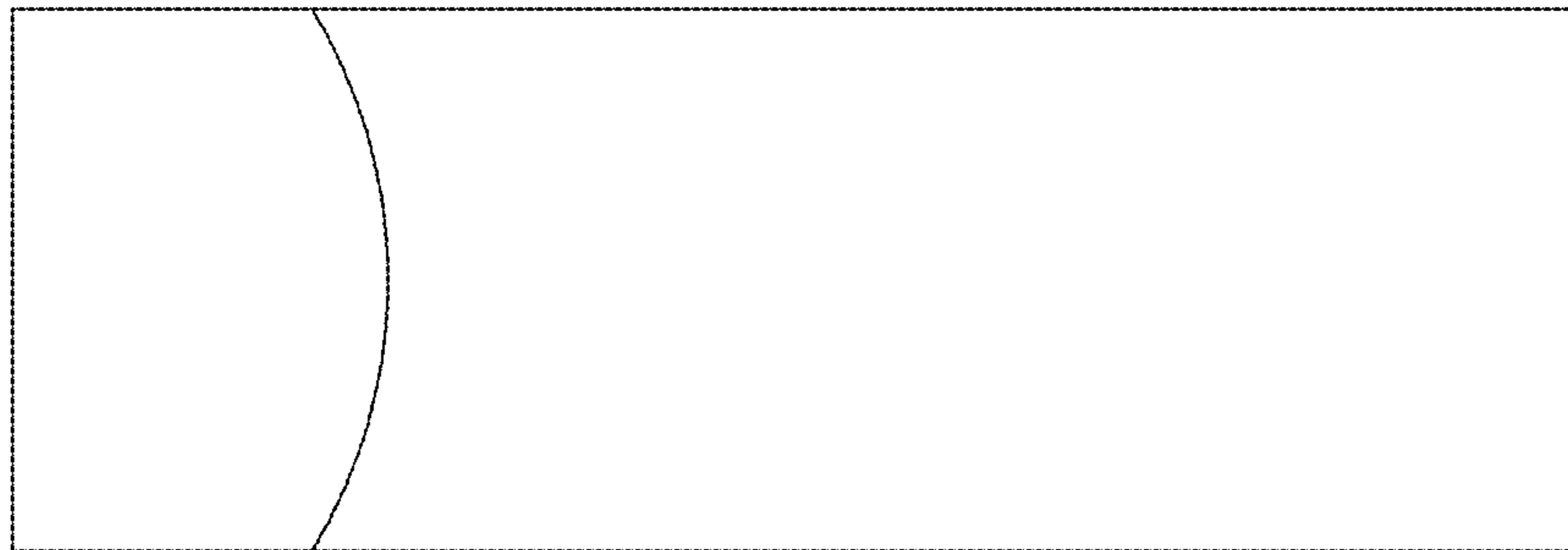


FIG. 2

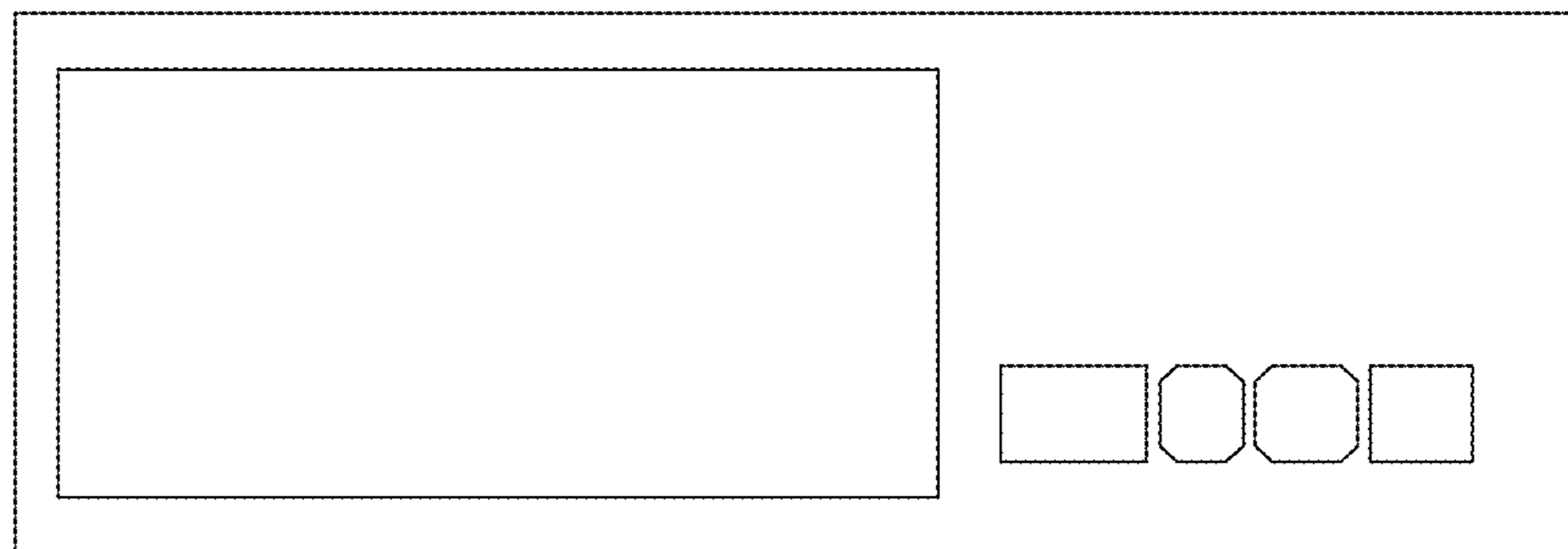


FIG. 3

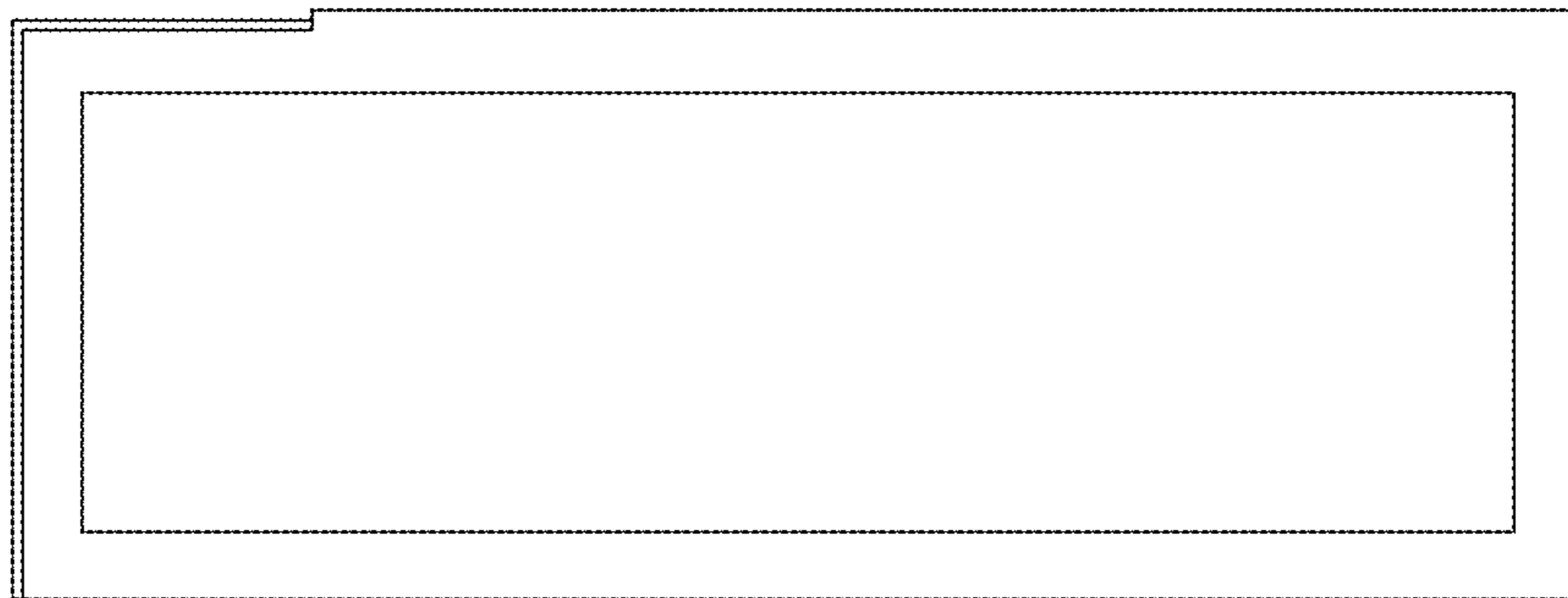


FIG. 4

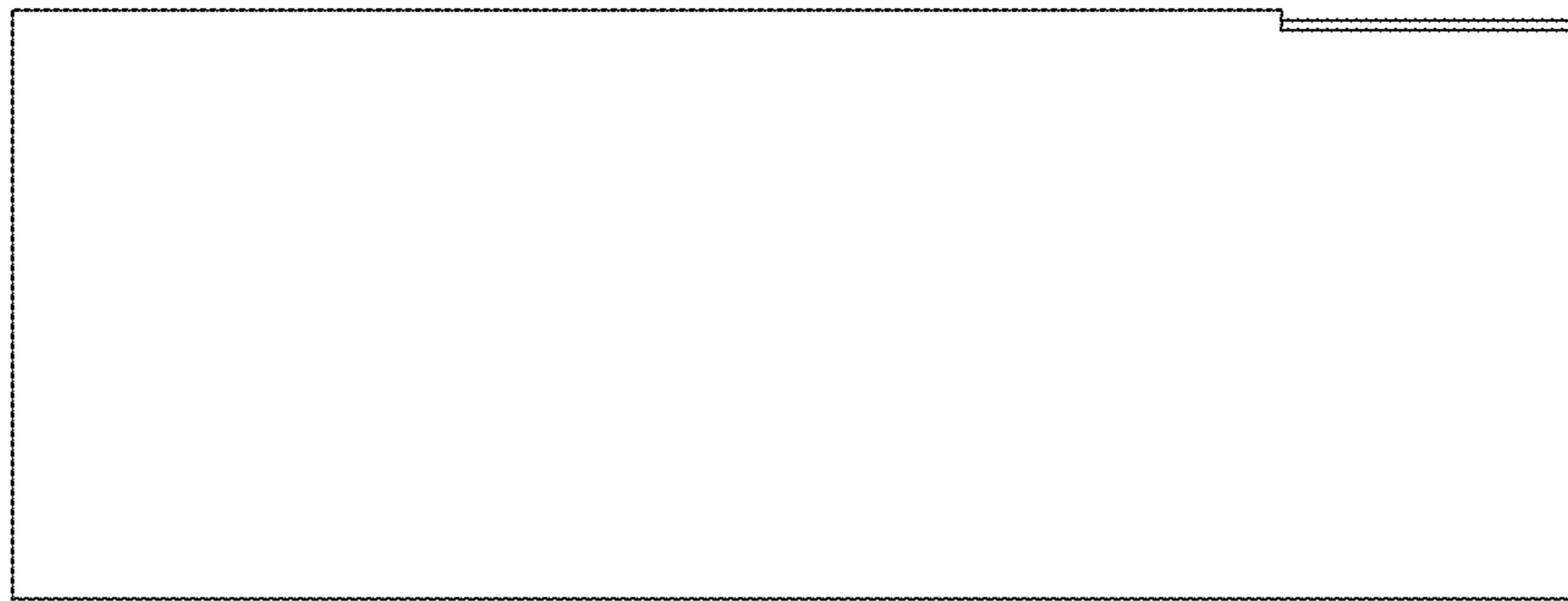


FIG. 5

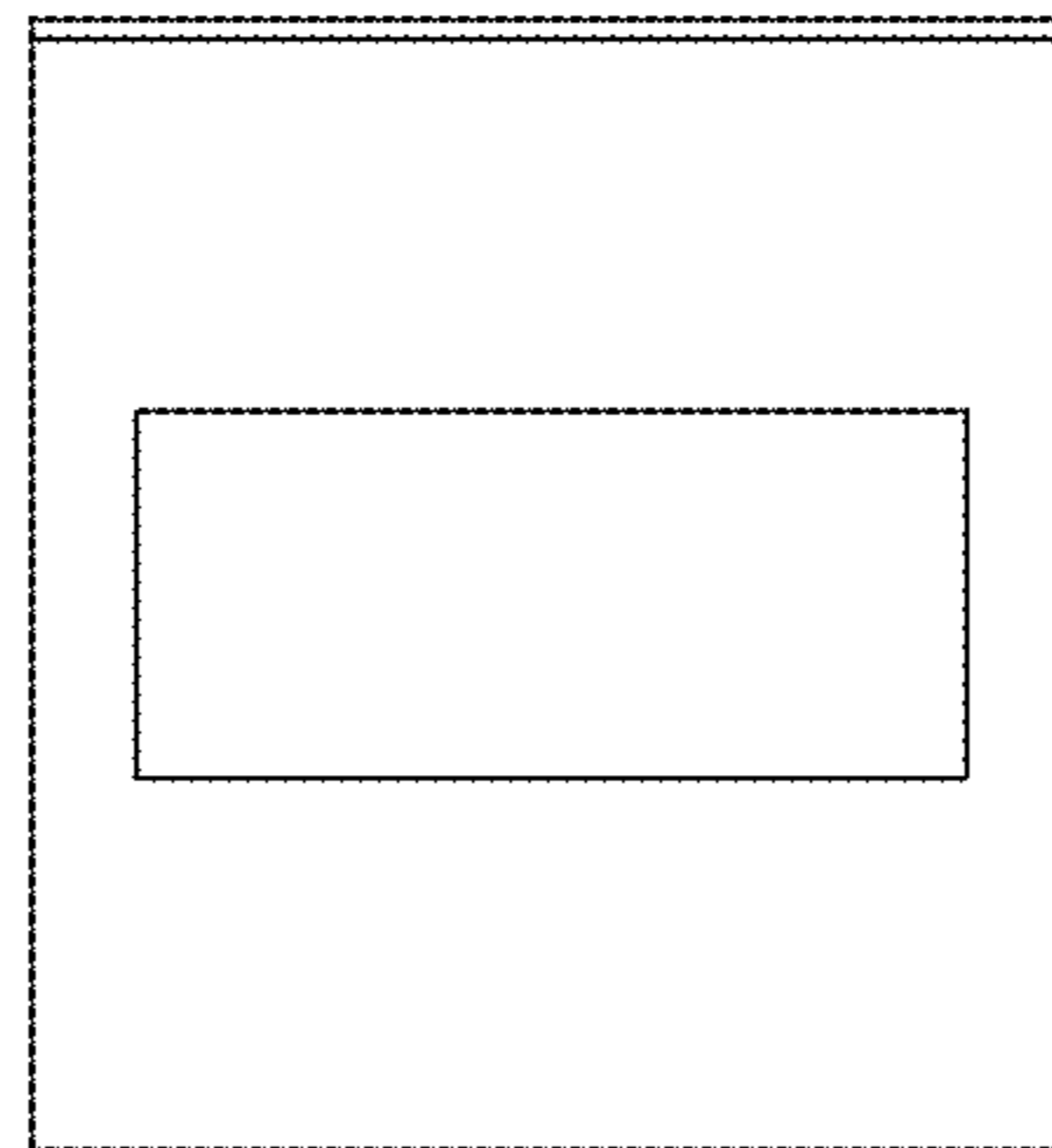


FIG. 6

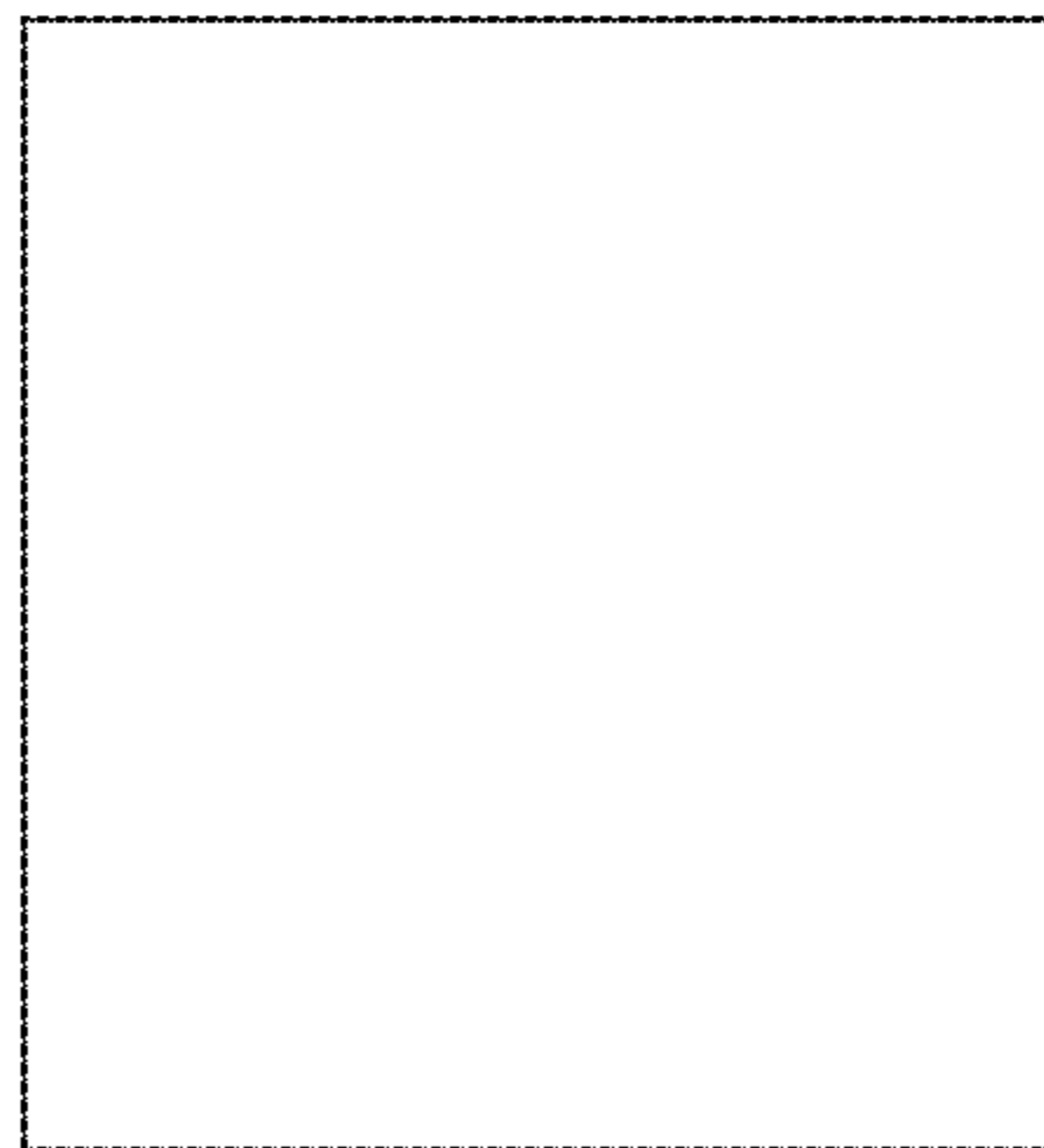


FIG. 7

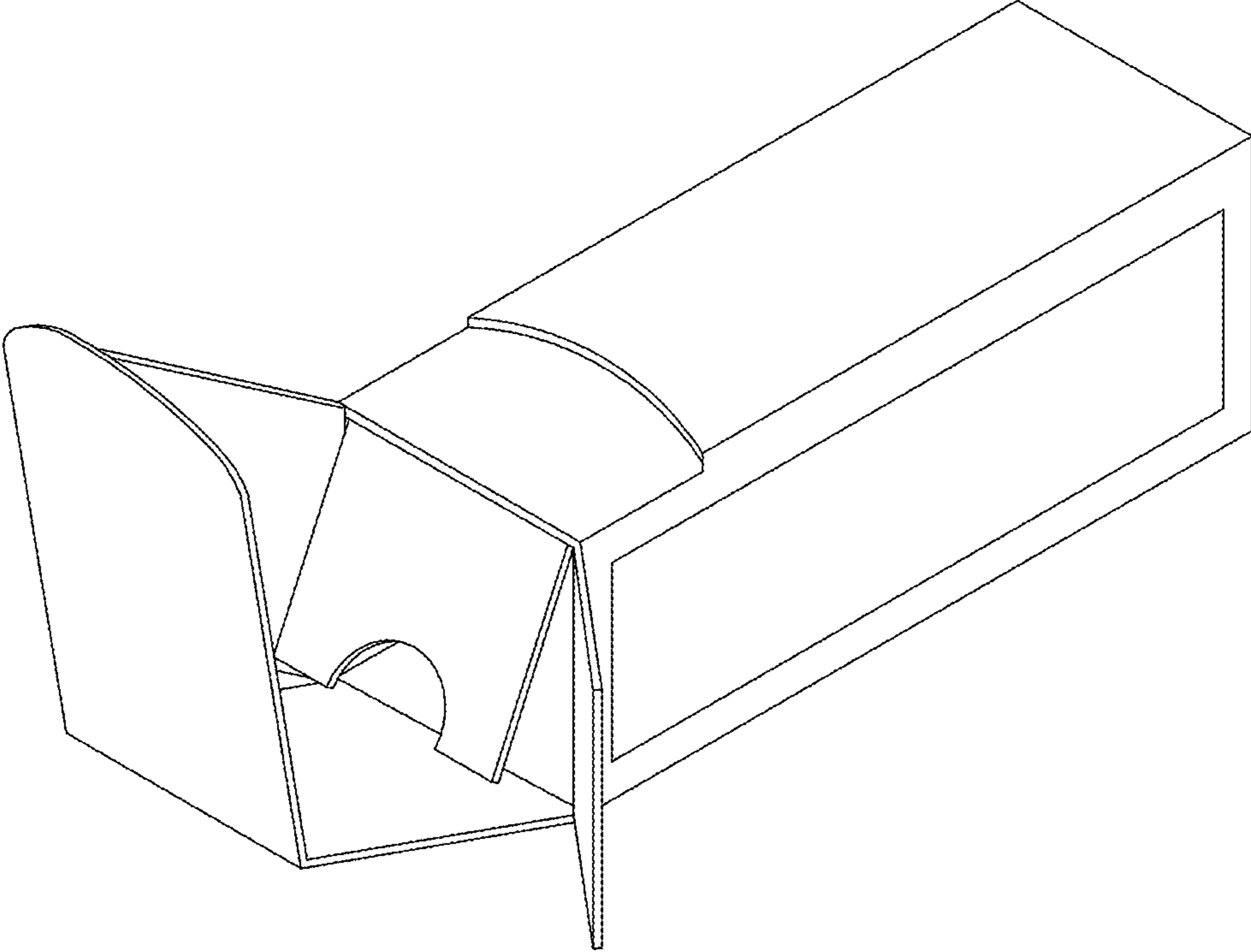


FIG. 8

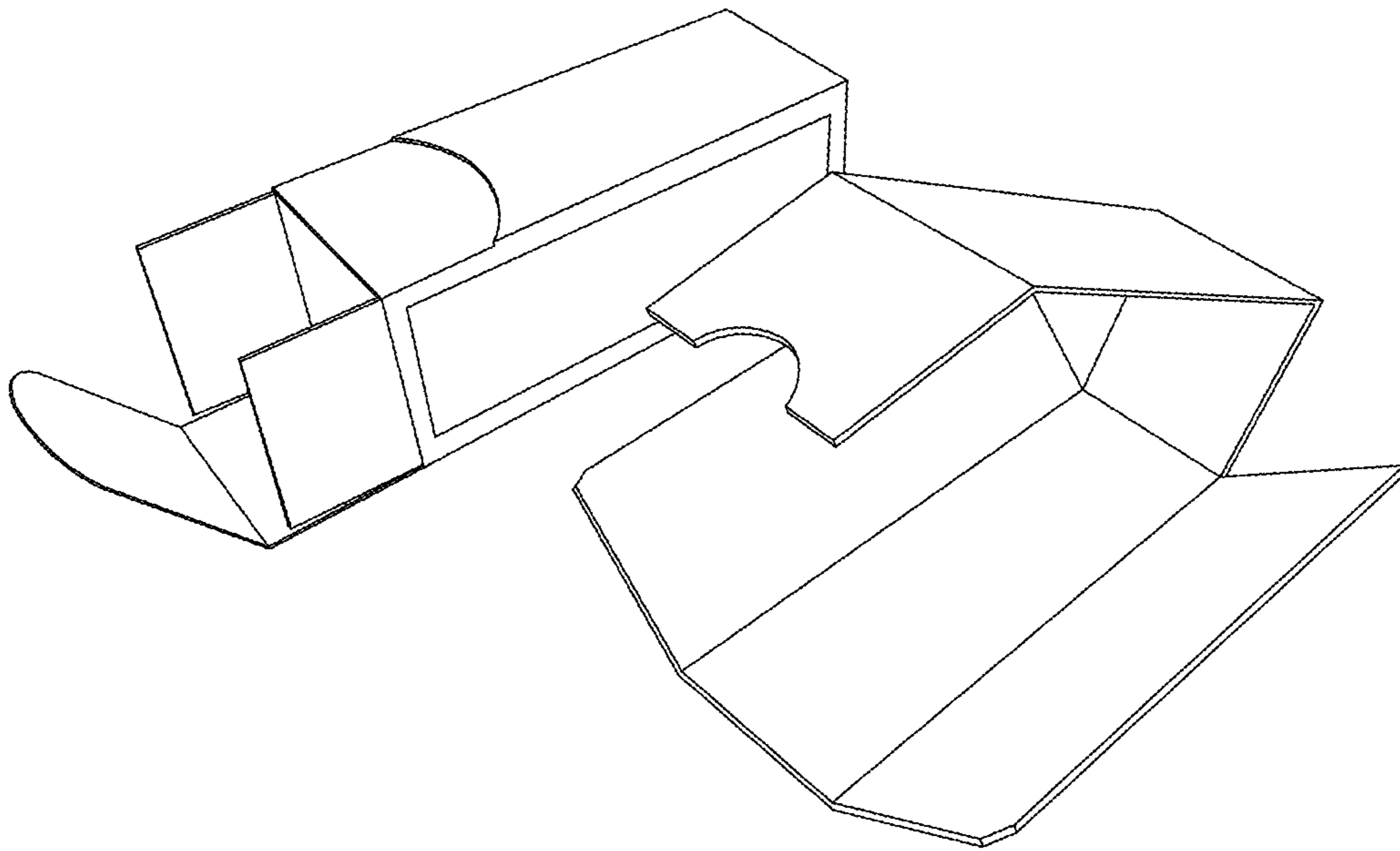


FIG. 9

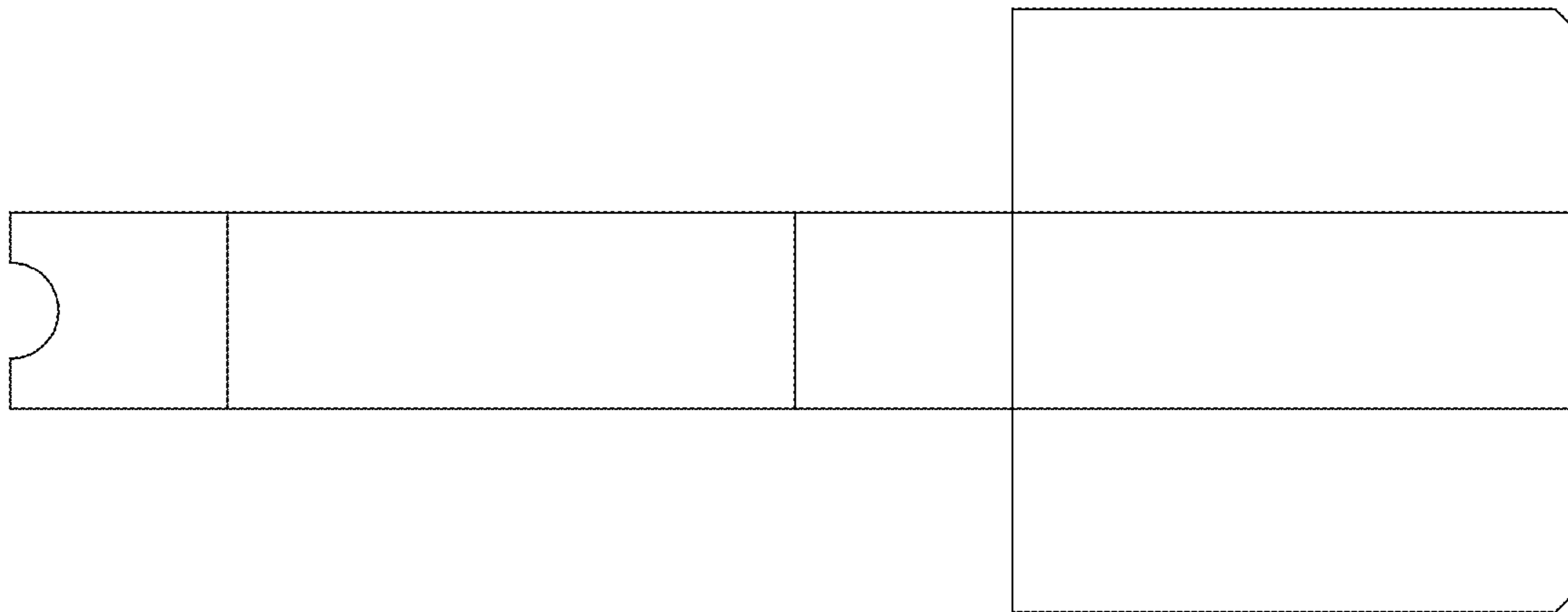


FIG. 10

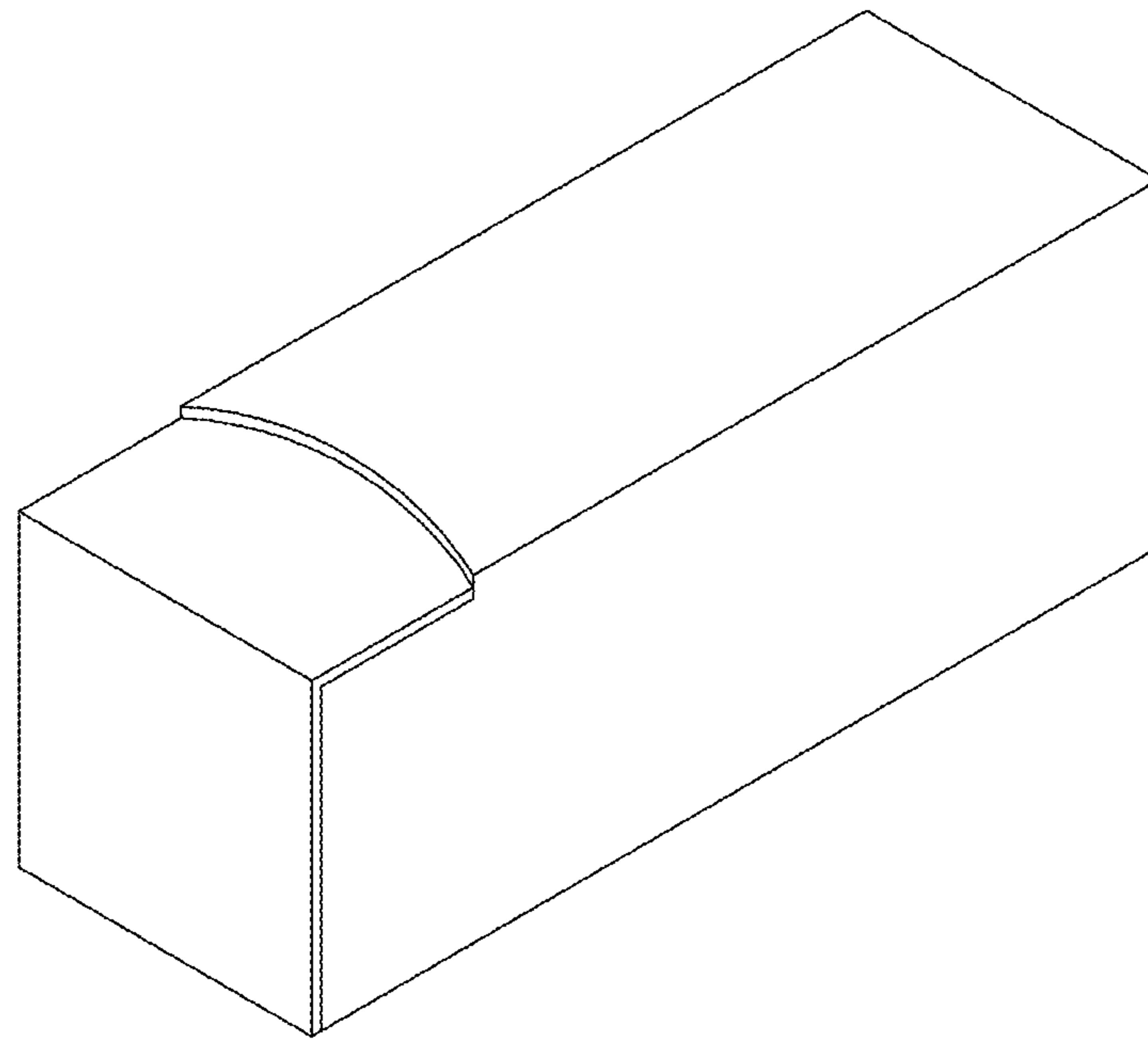


FIG. 11

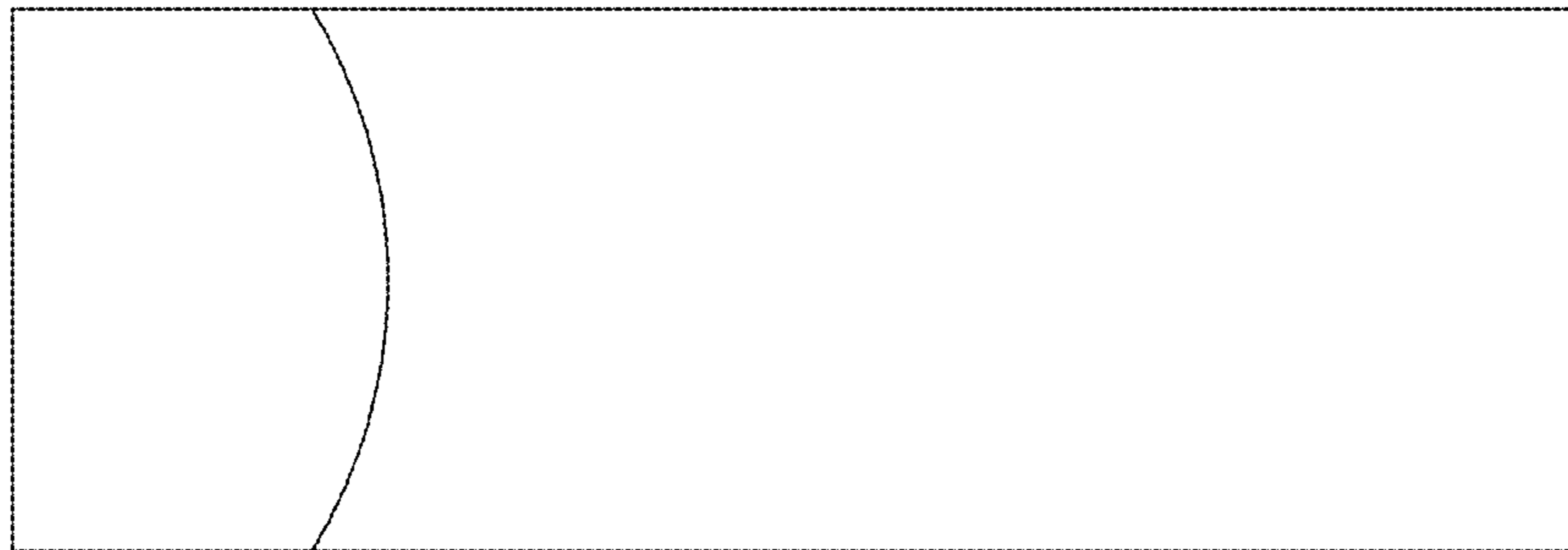


FIG. 12

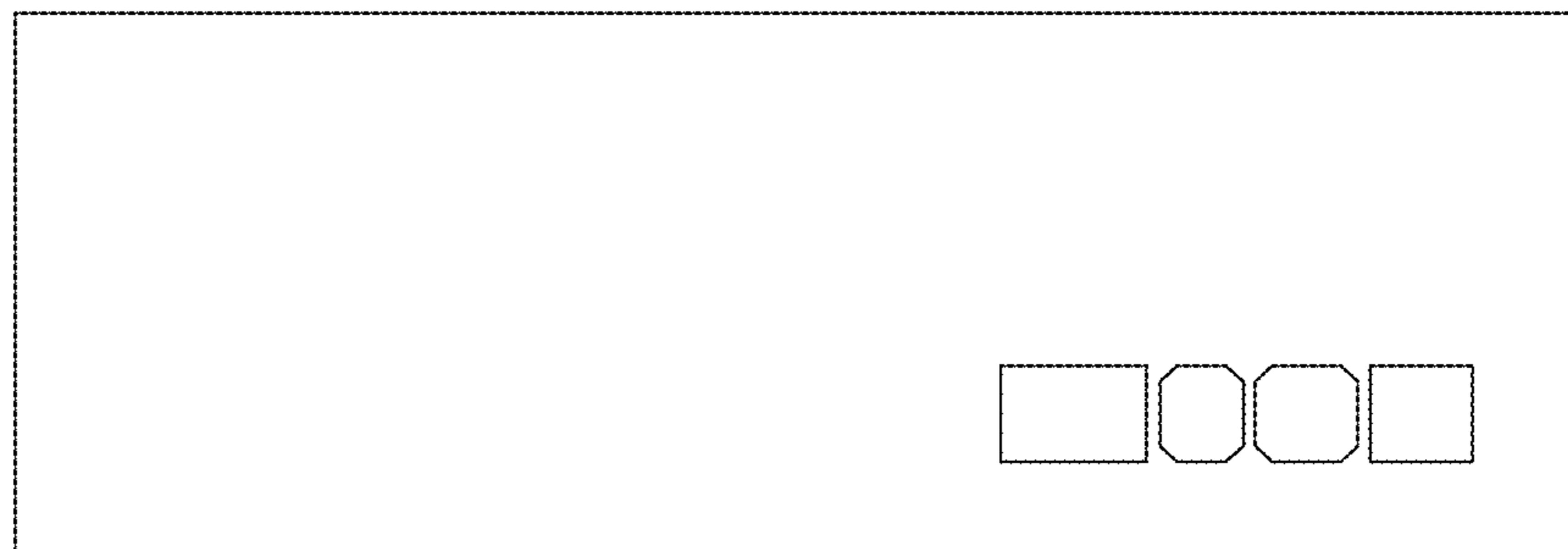


FIG. 13



FIG. 14



FIG. 15

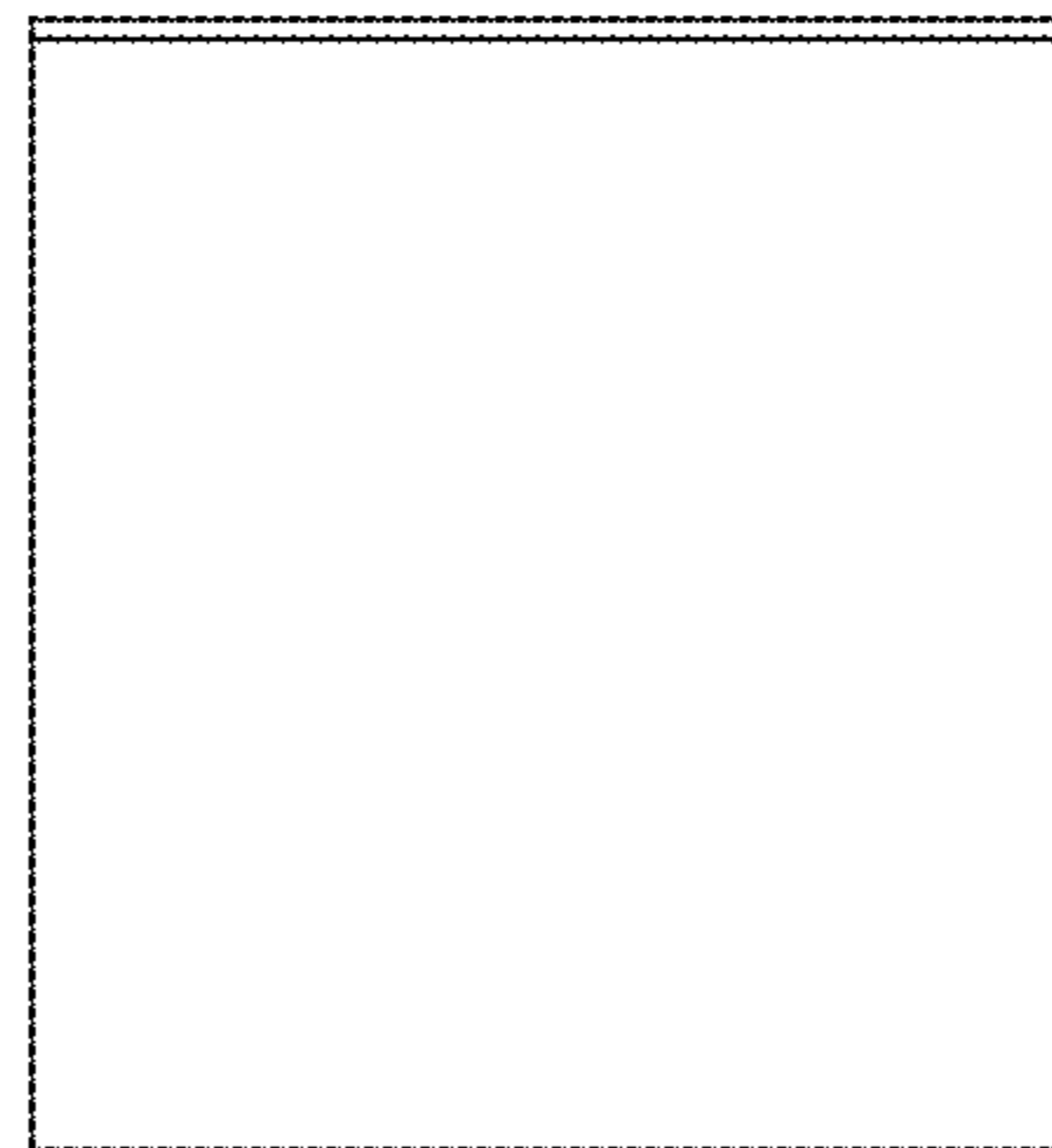


FIG. 16

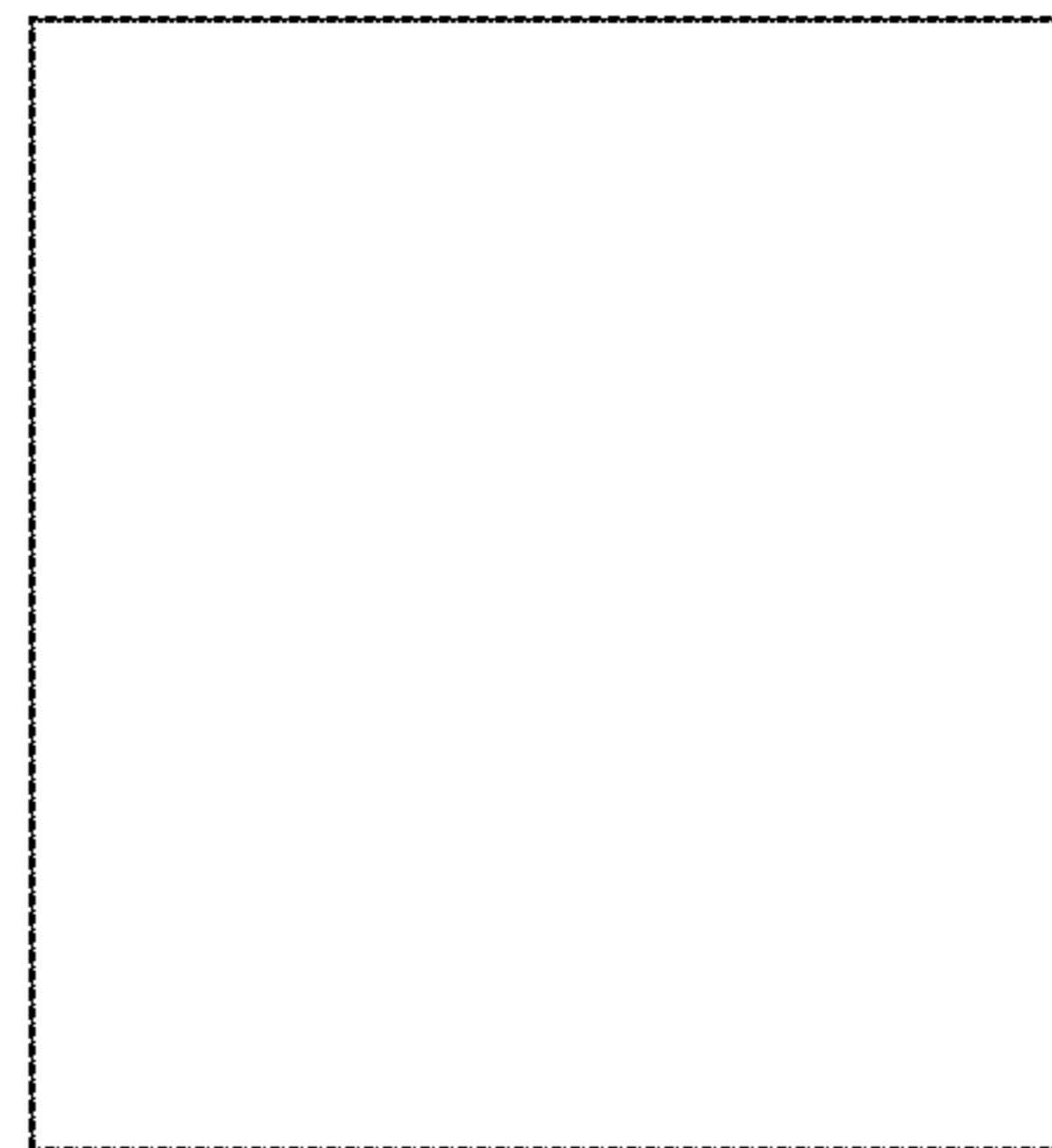


FIG. 17

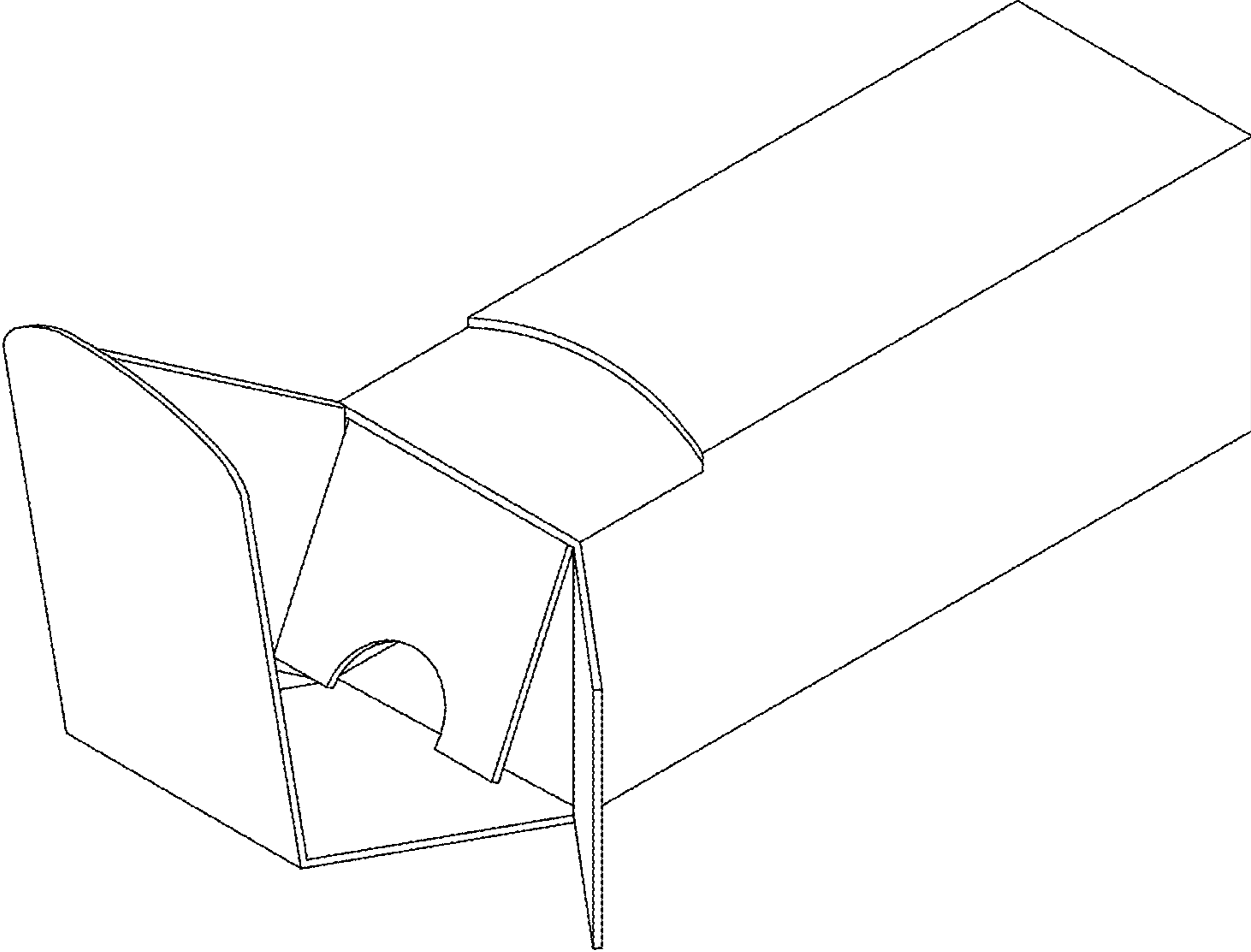


FIG. 18

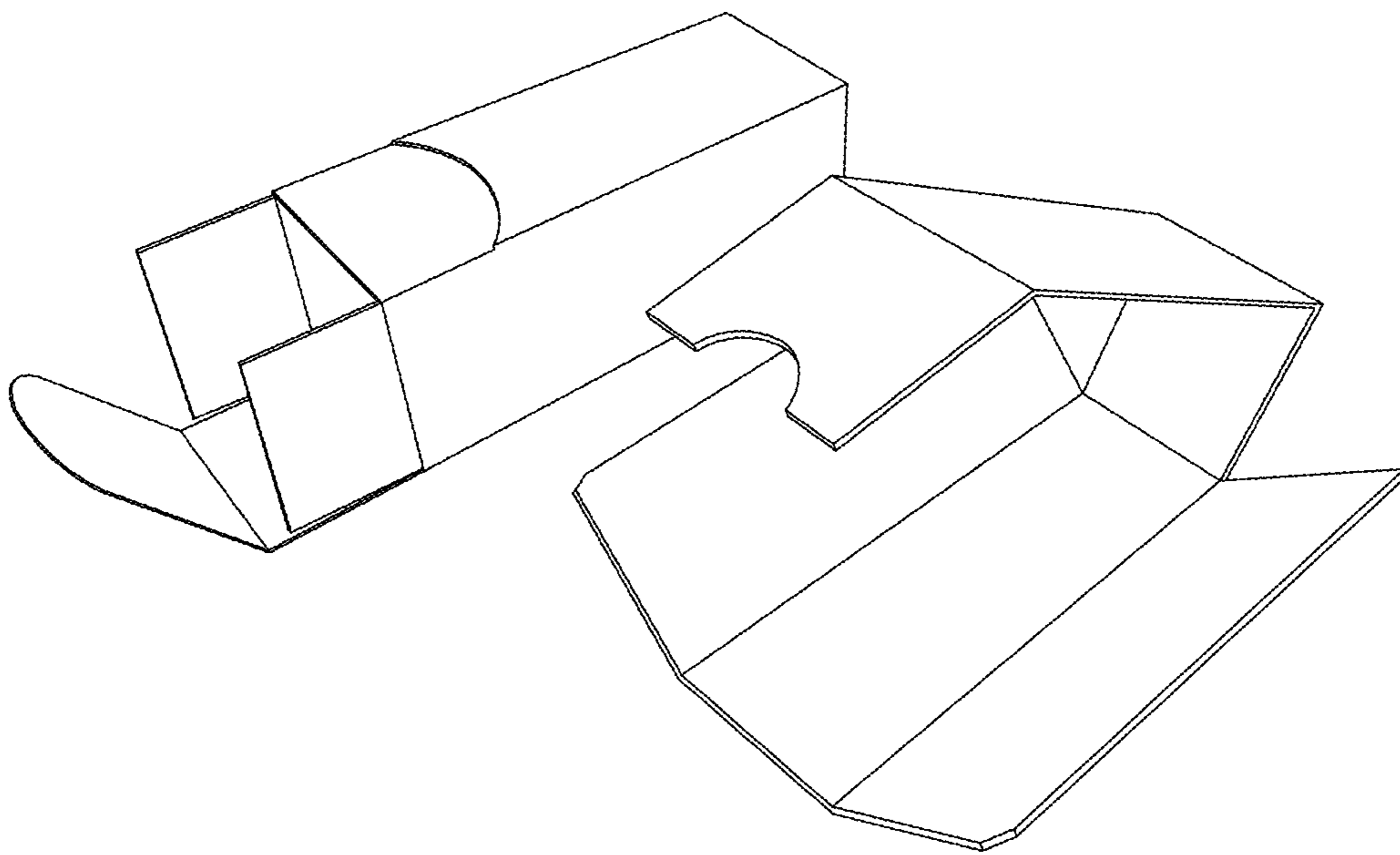


FIG. 19

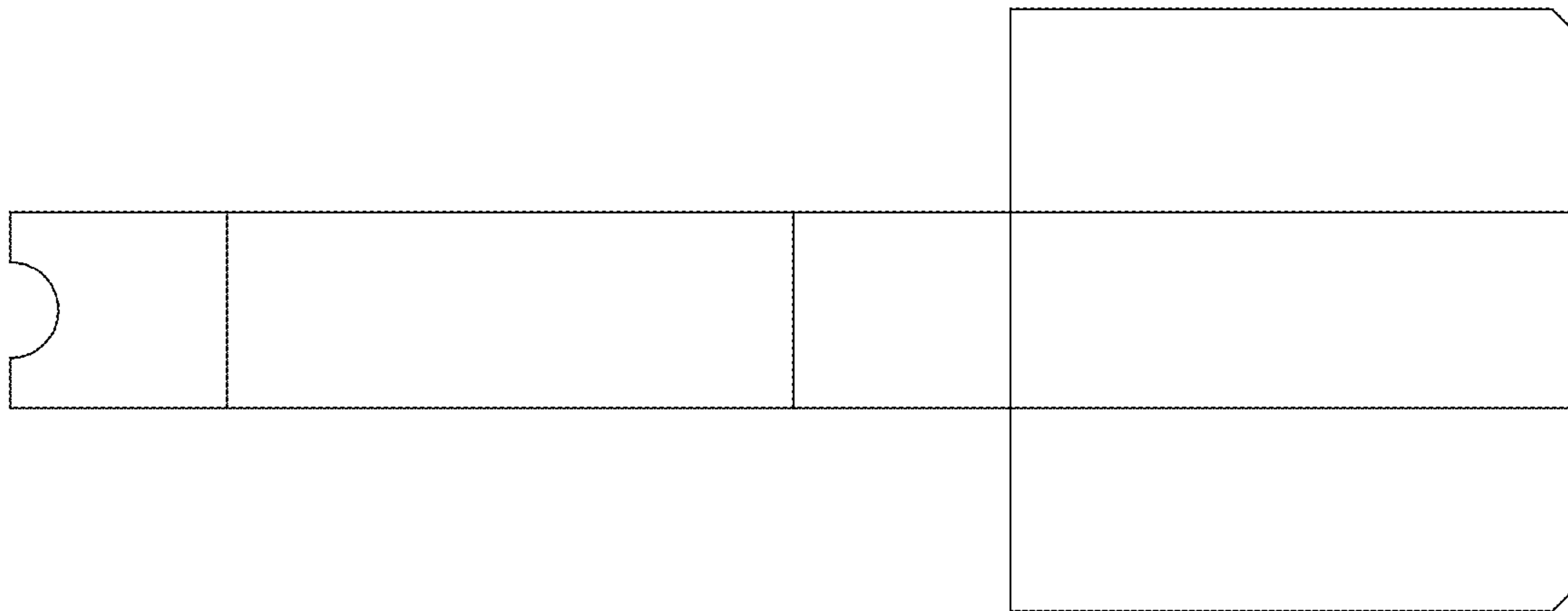


FIG. 20

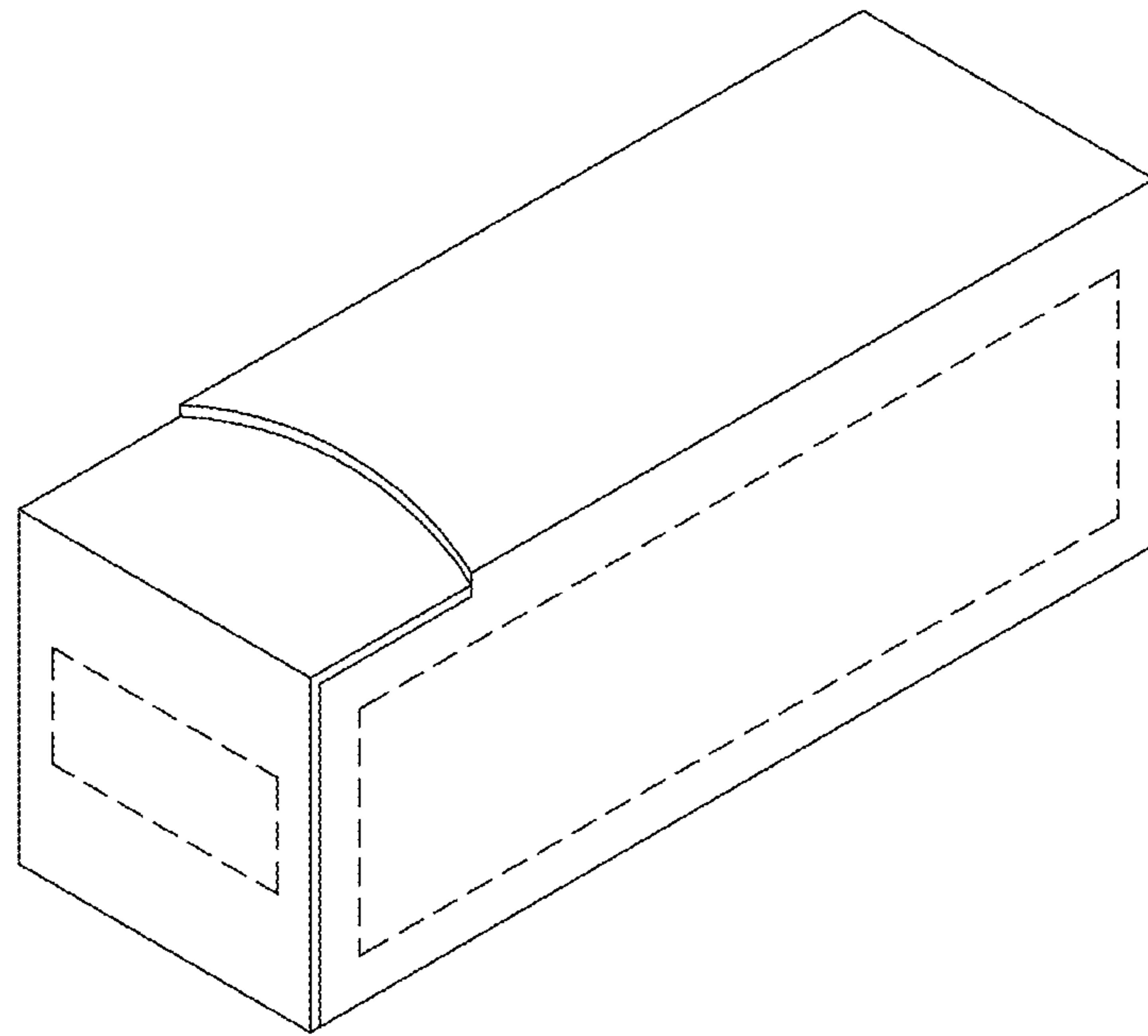


FIG. 21

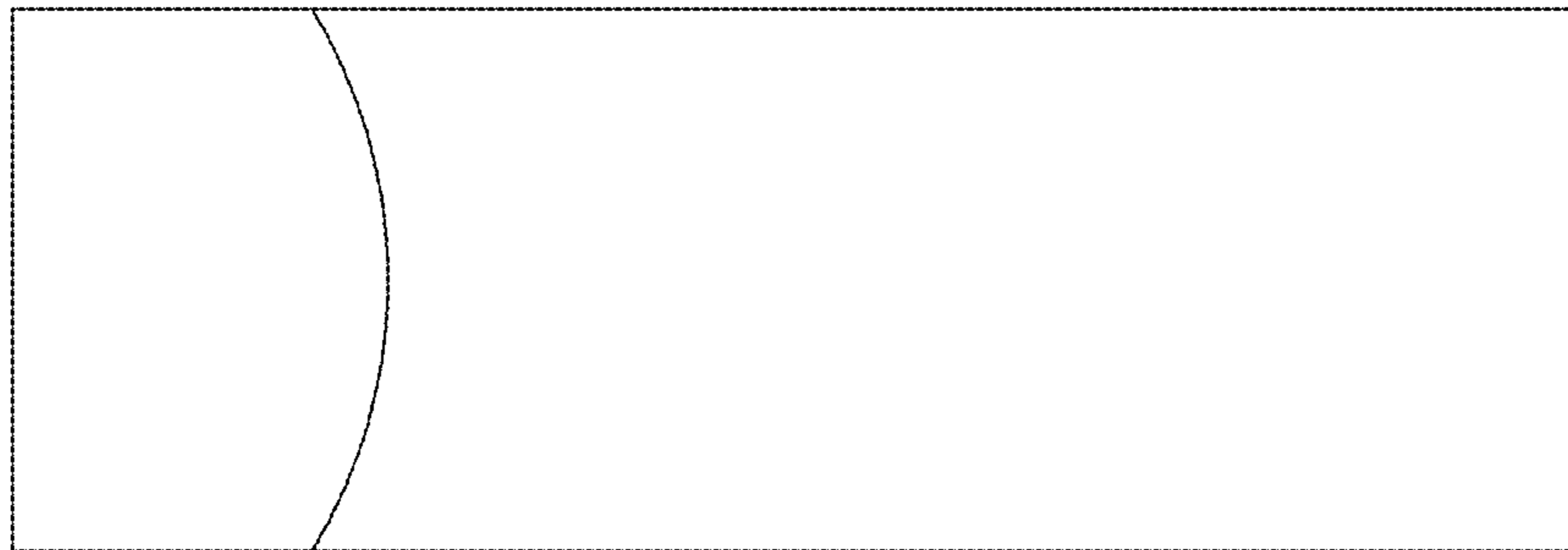


FIG. 22

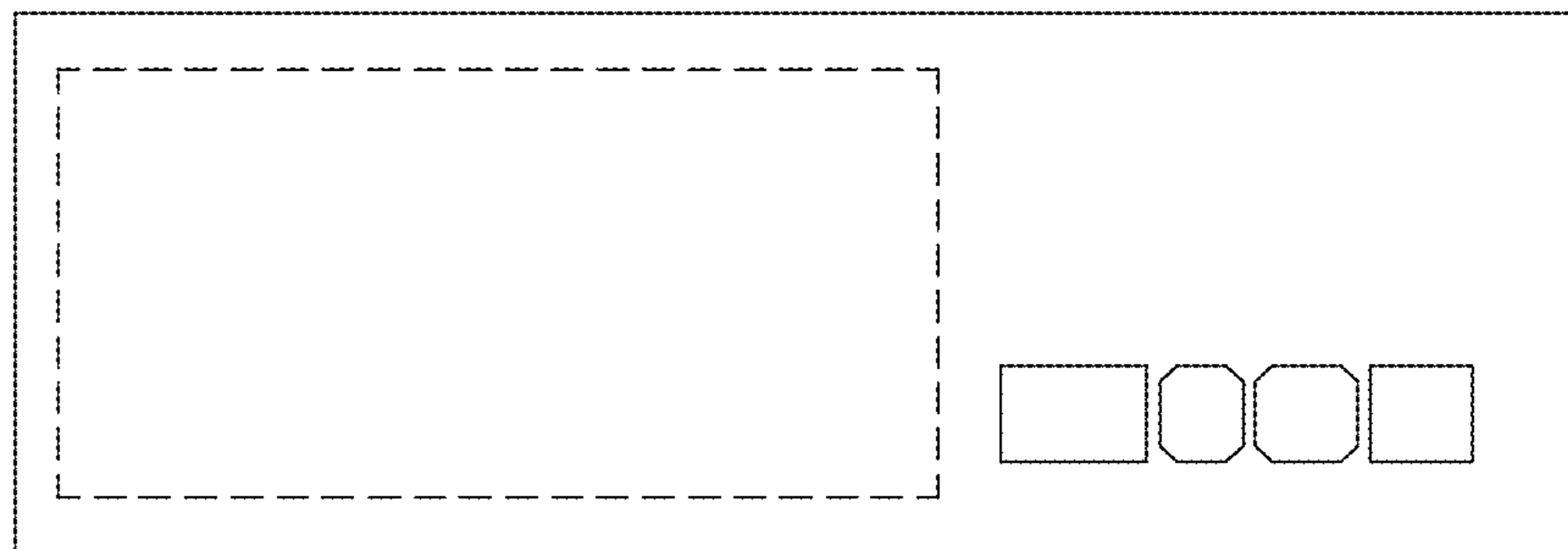


FIG. 23

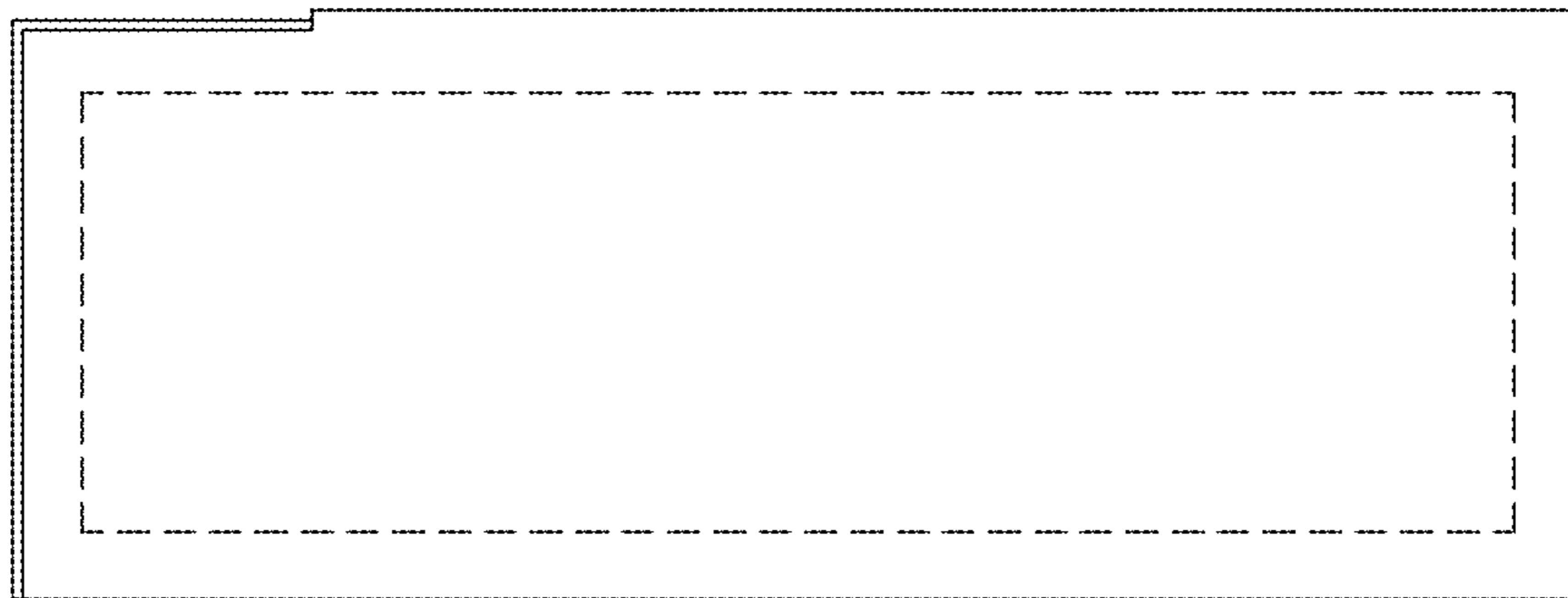


FIG. 24



FIG. 25

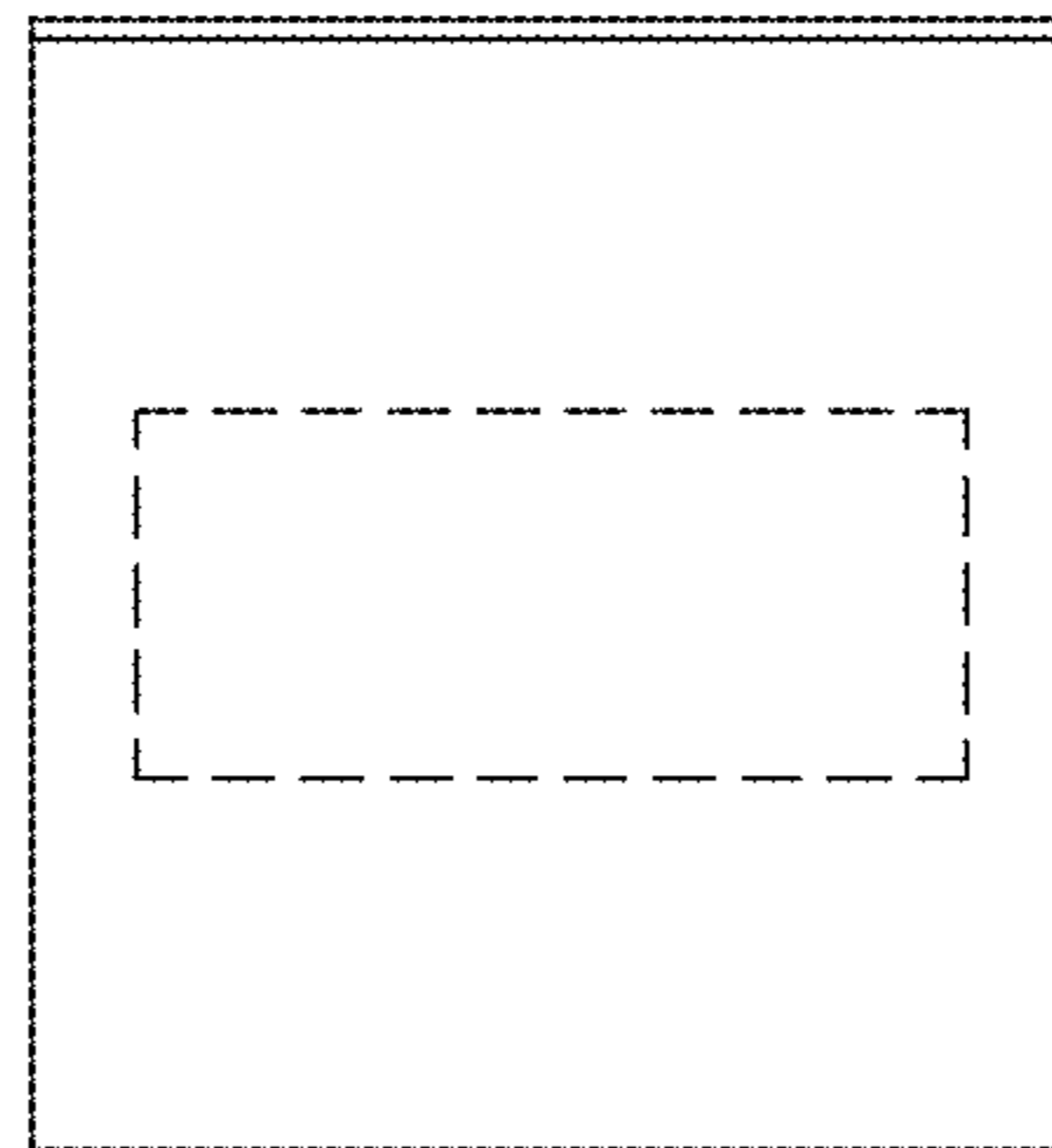


FIG. 26

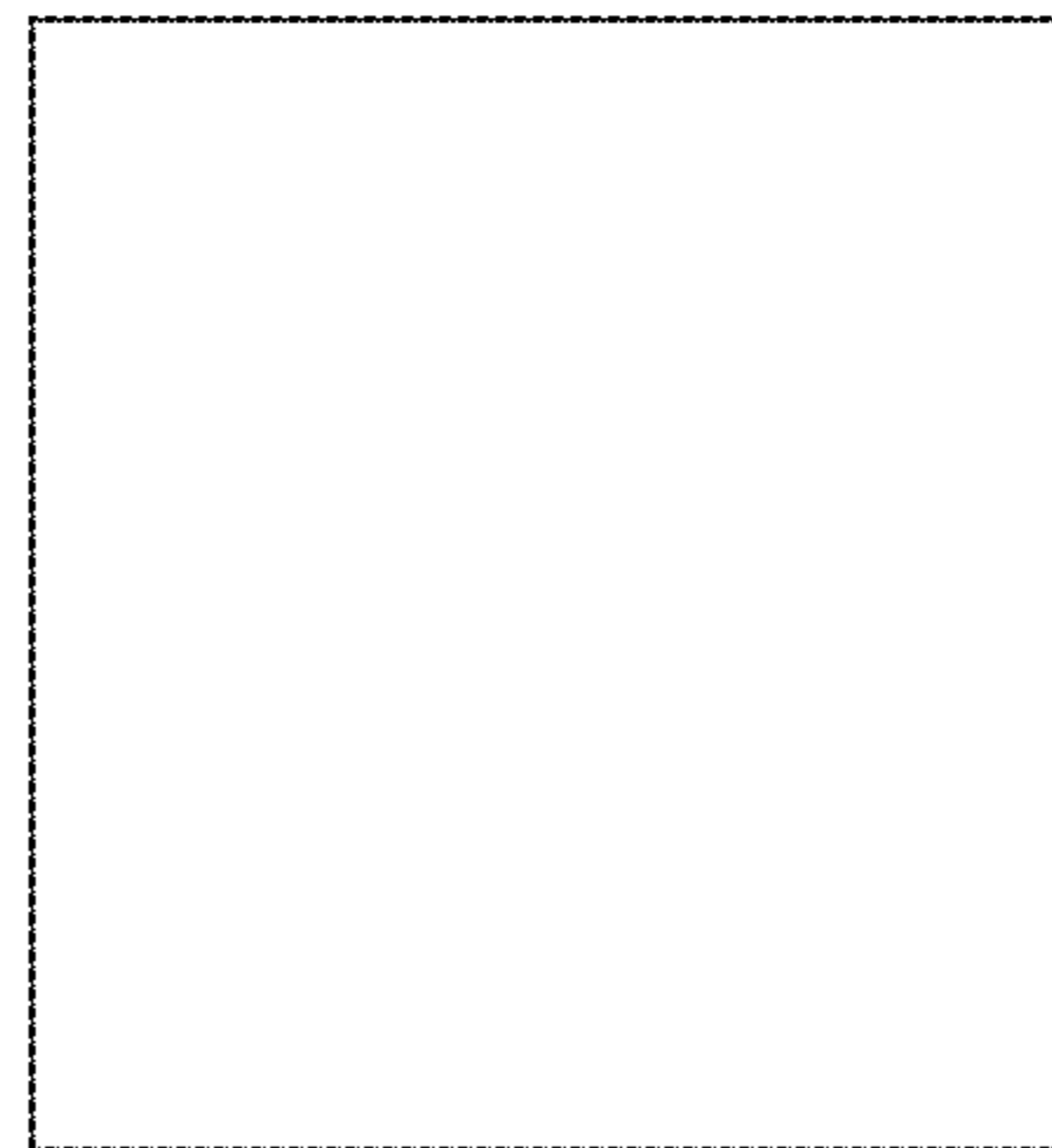


FIG. 27

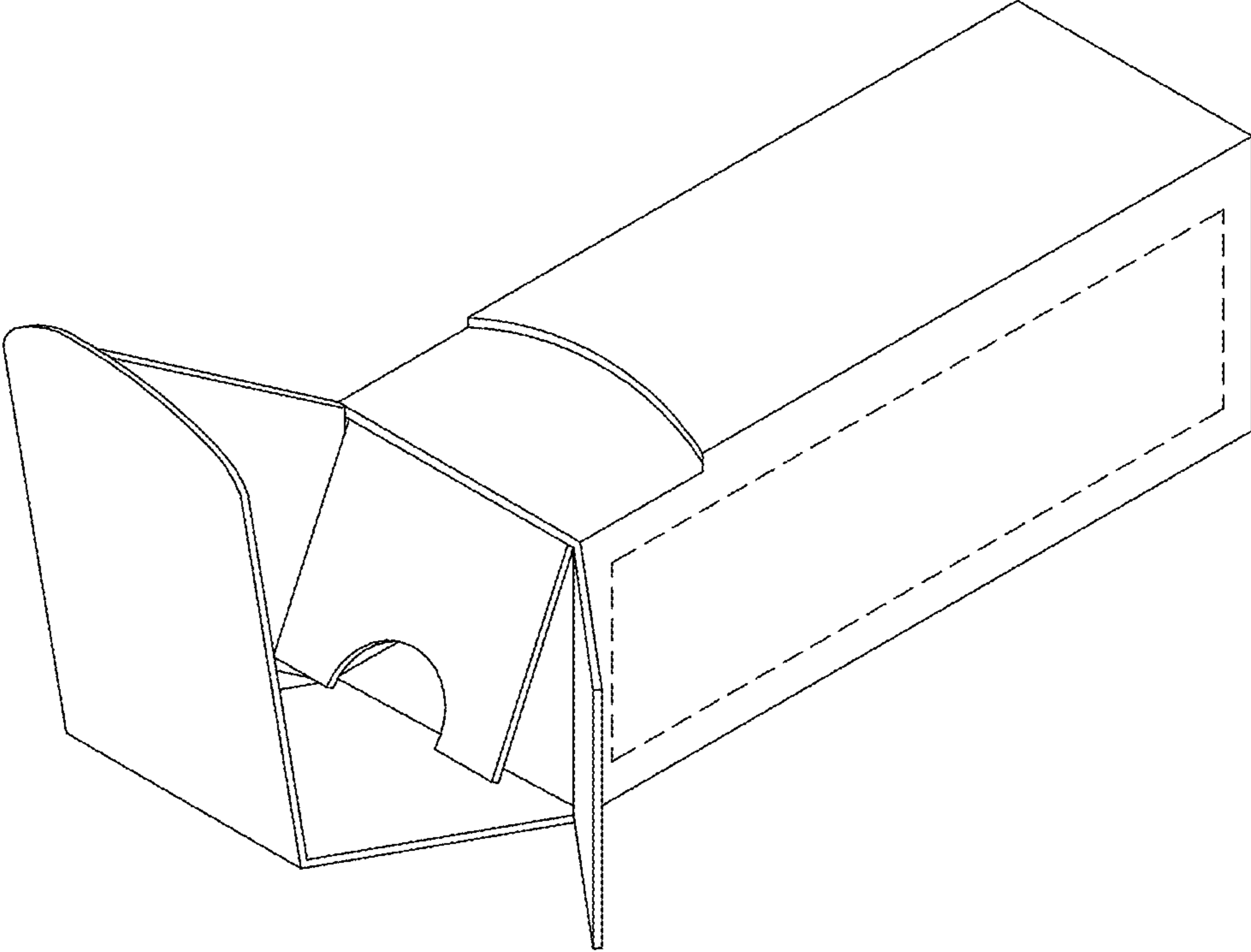


FIG. 28

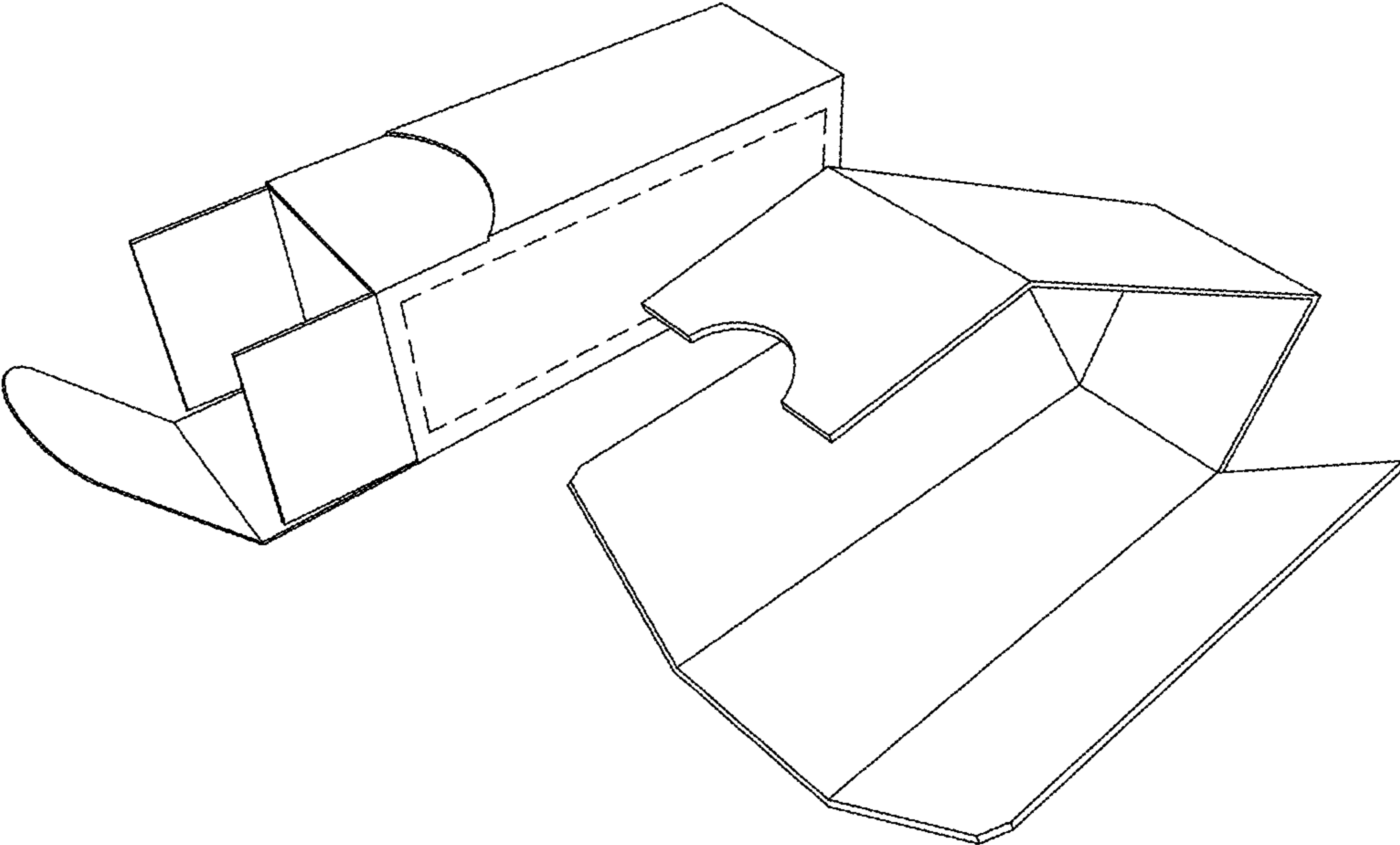


FIG. 29

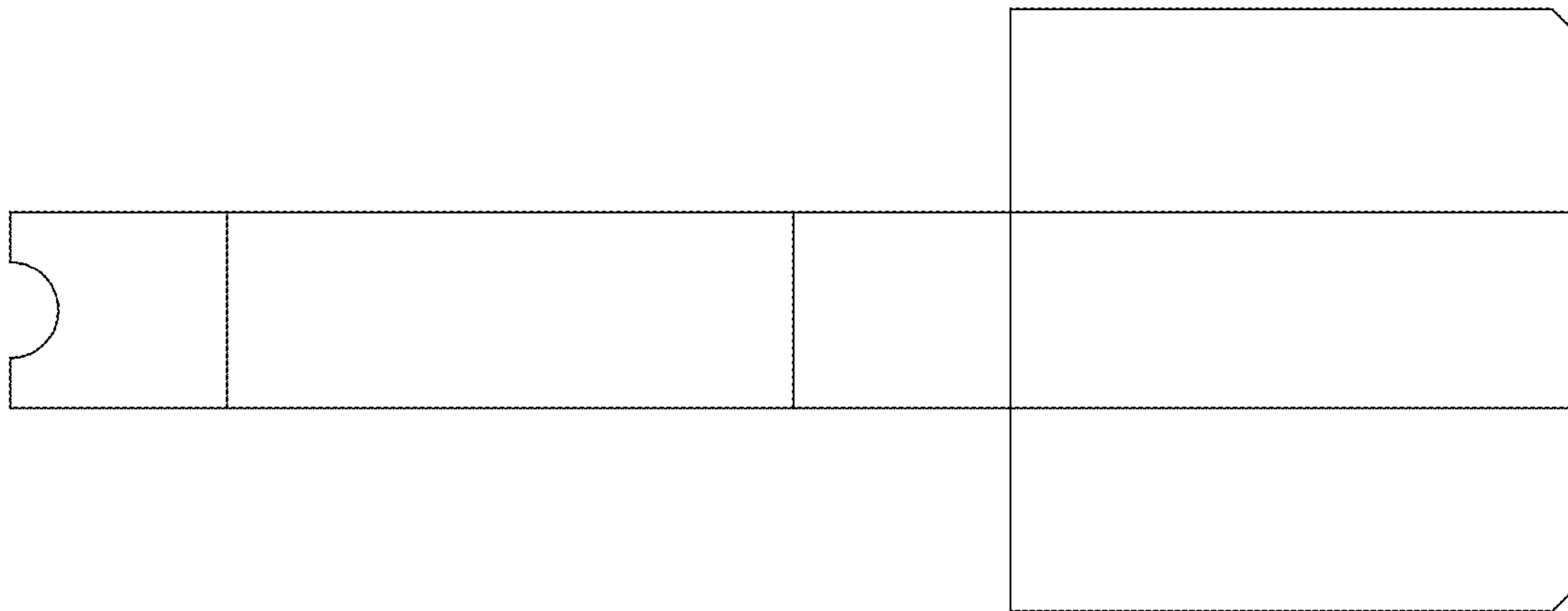


FIG. 30

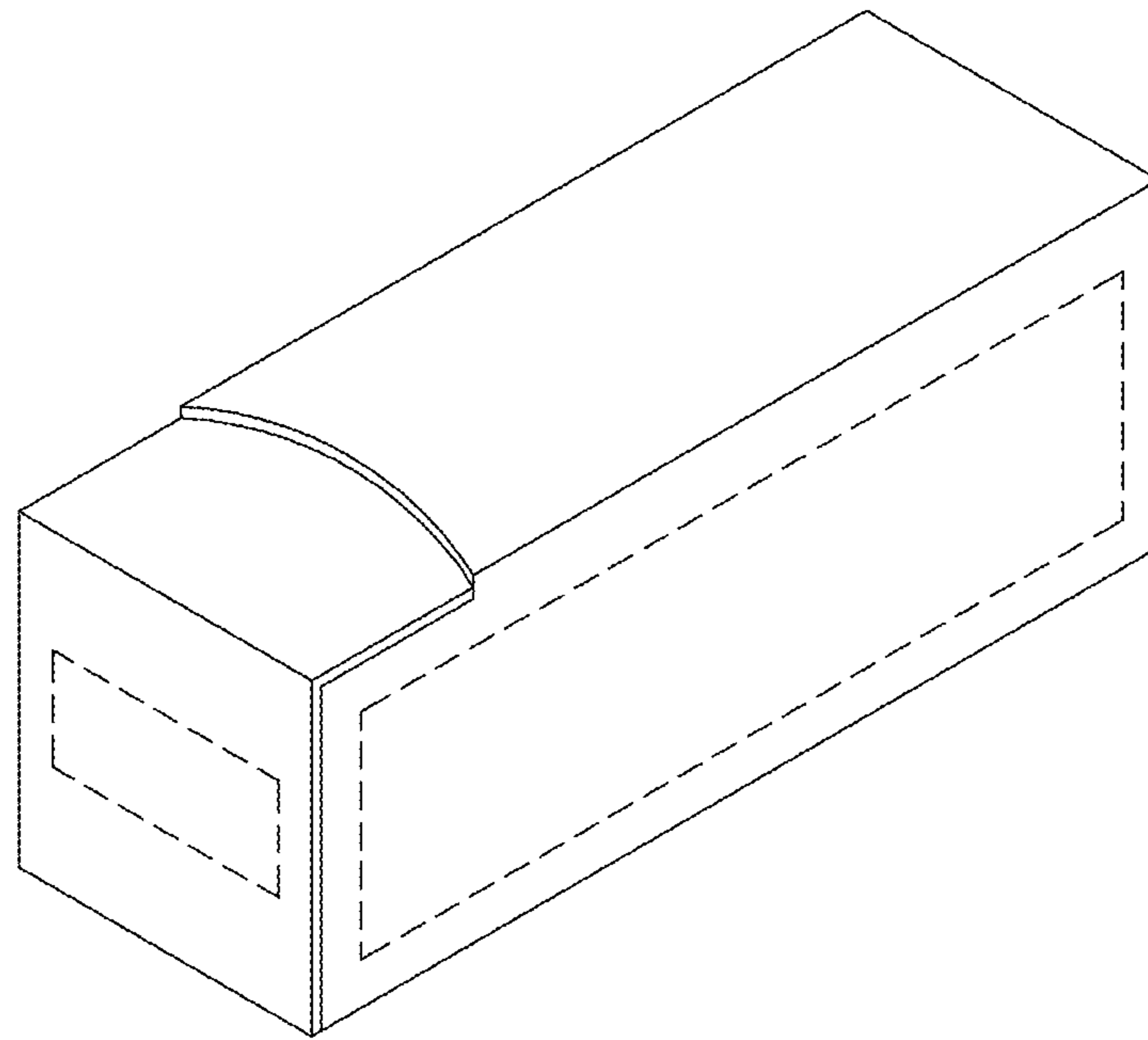


FIG. 31

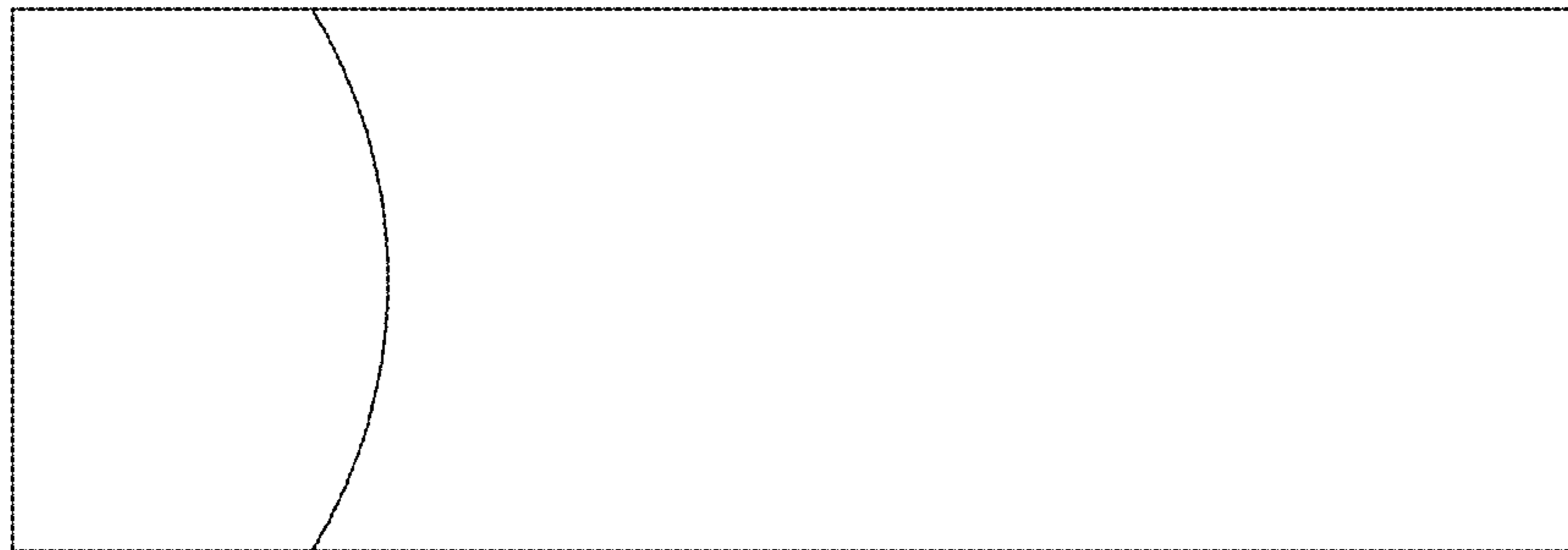


FIG. 32

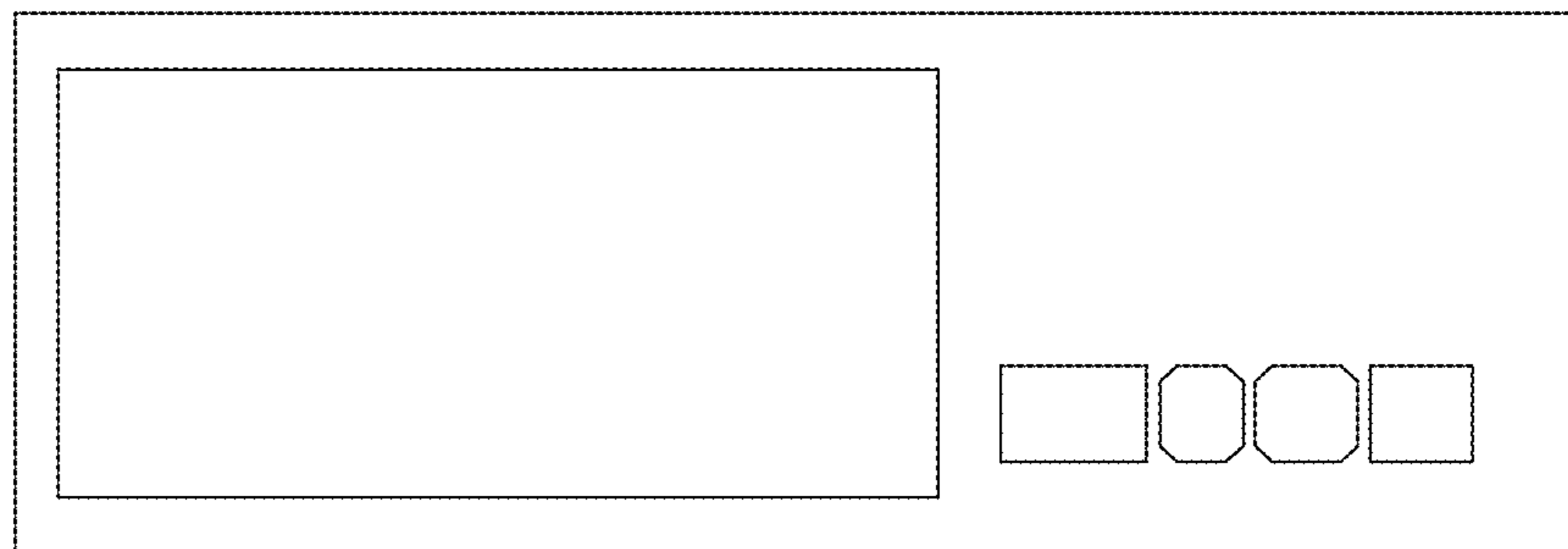


FIG. 33

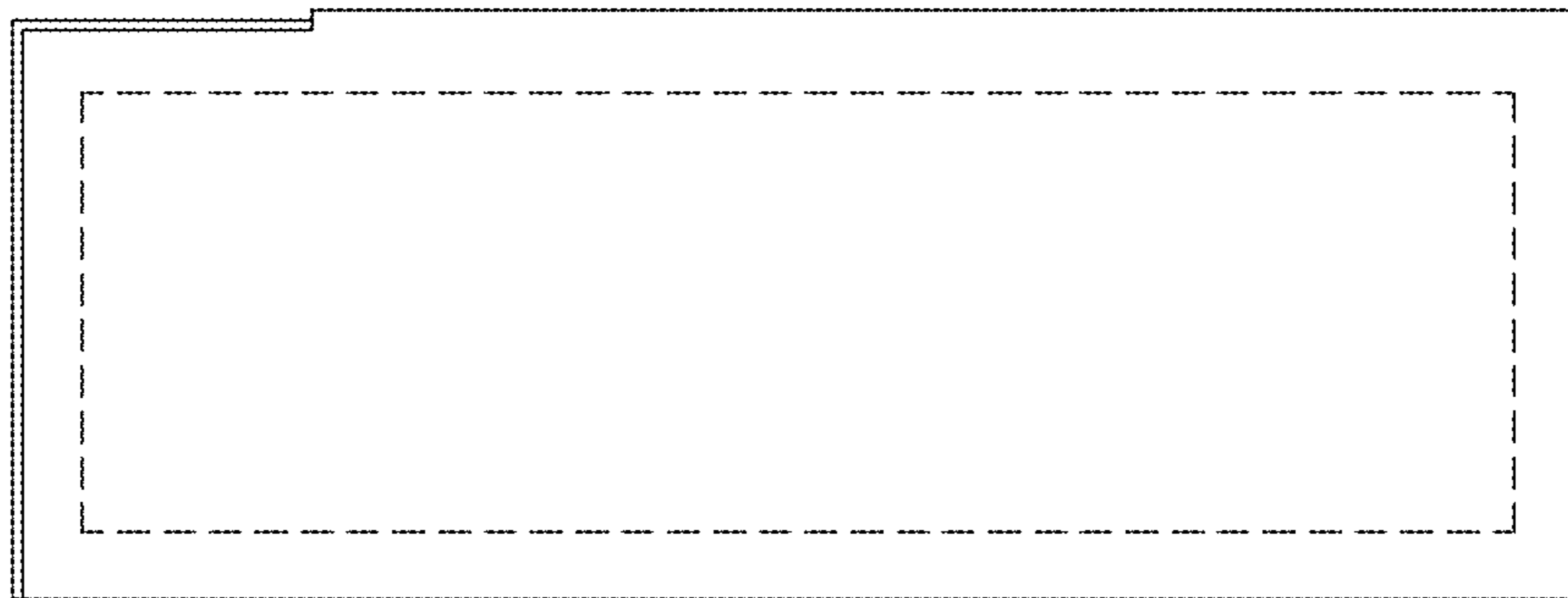


FIG. 34

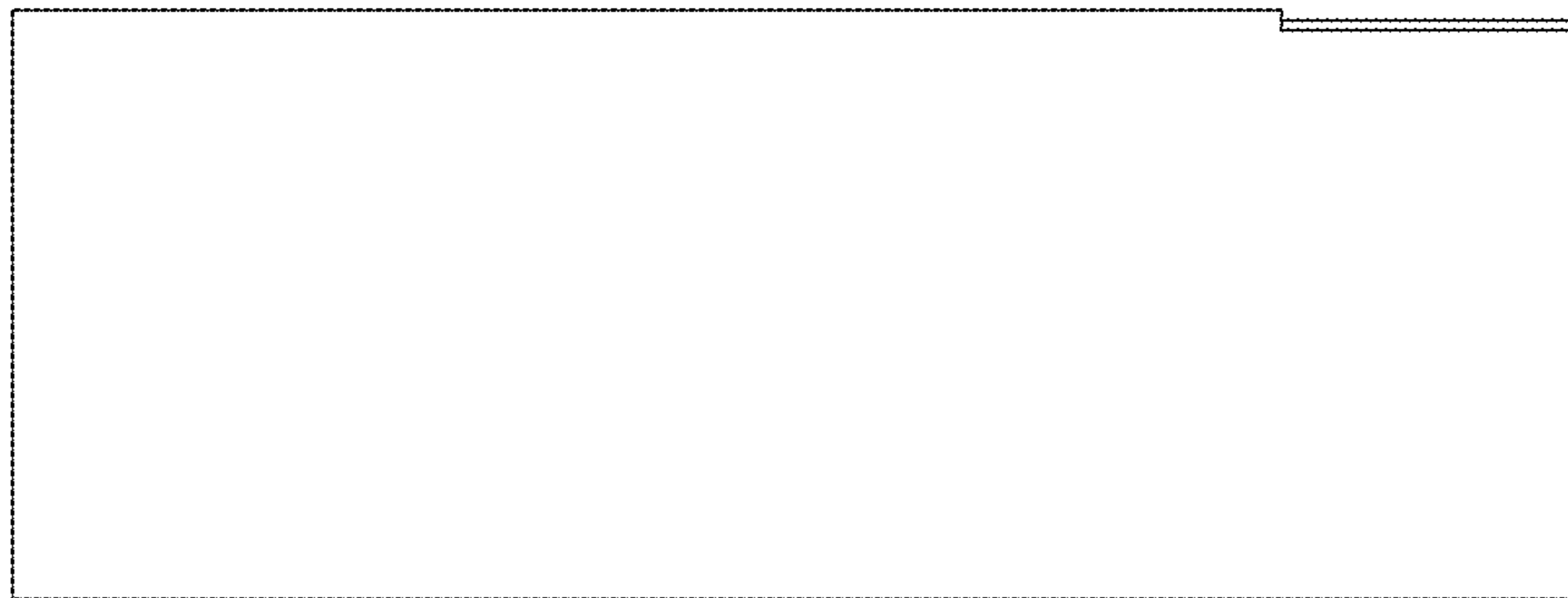


FIG. 35

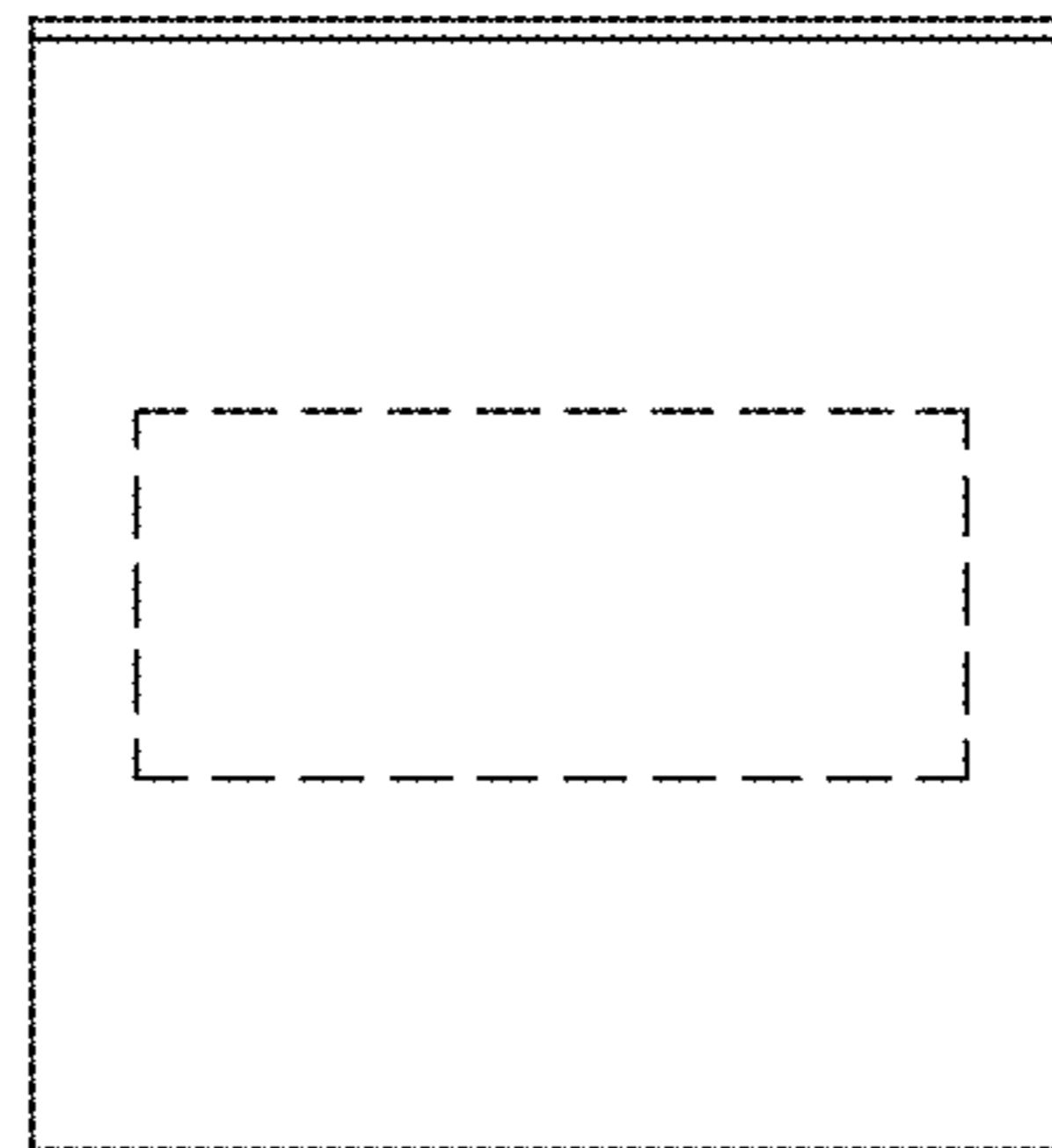


FIG. 36

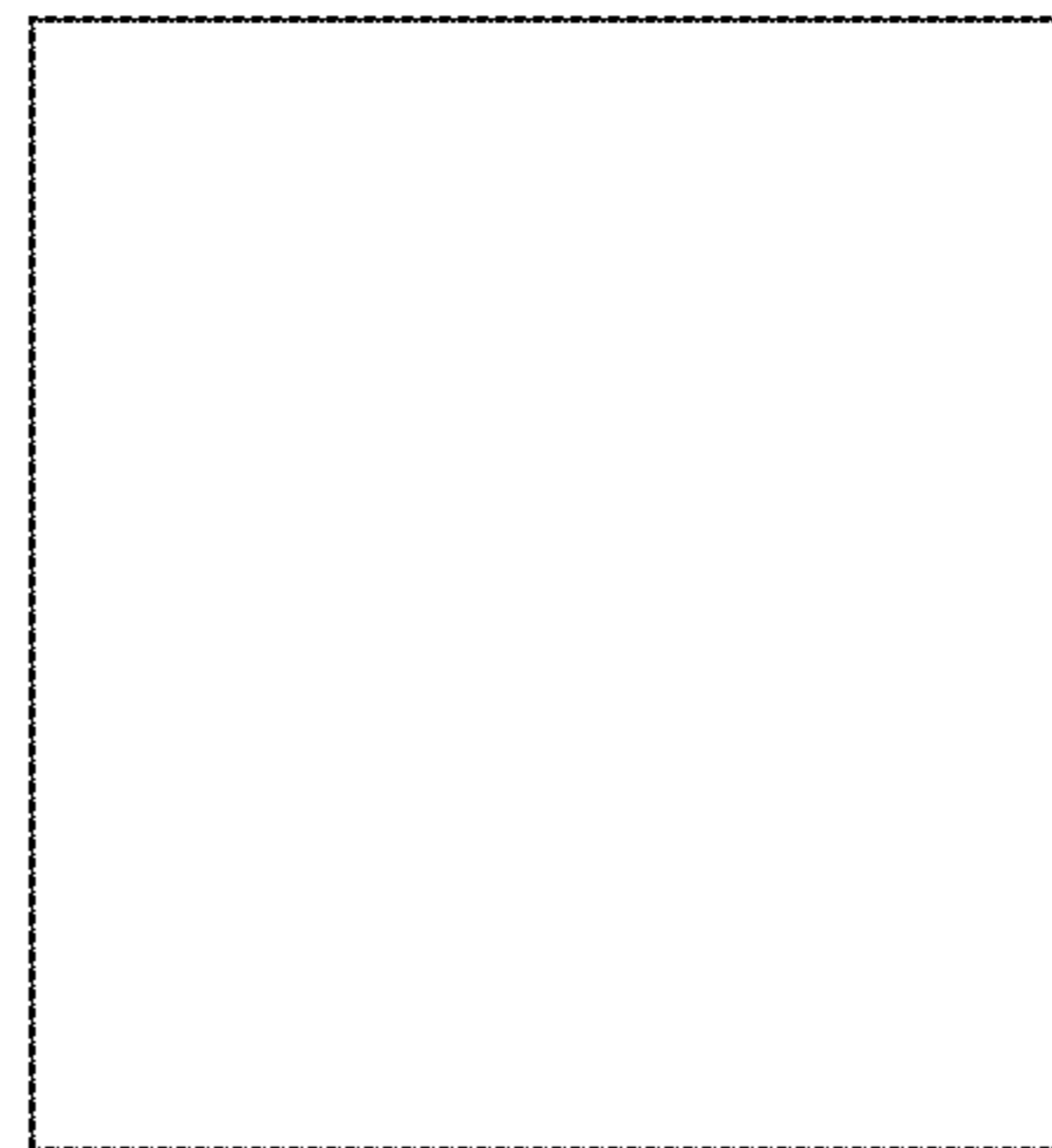


FIG. 37

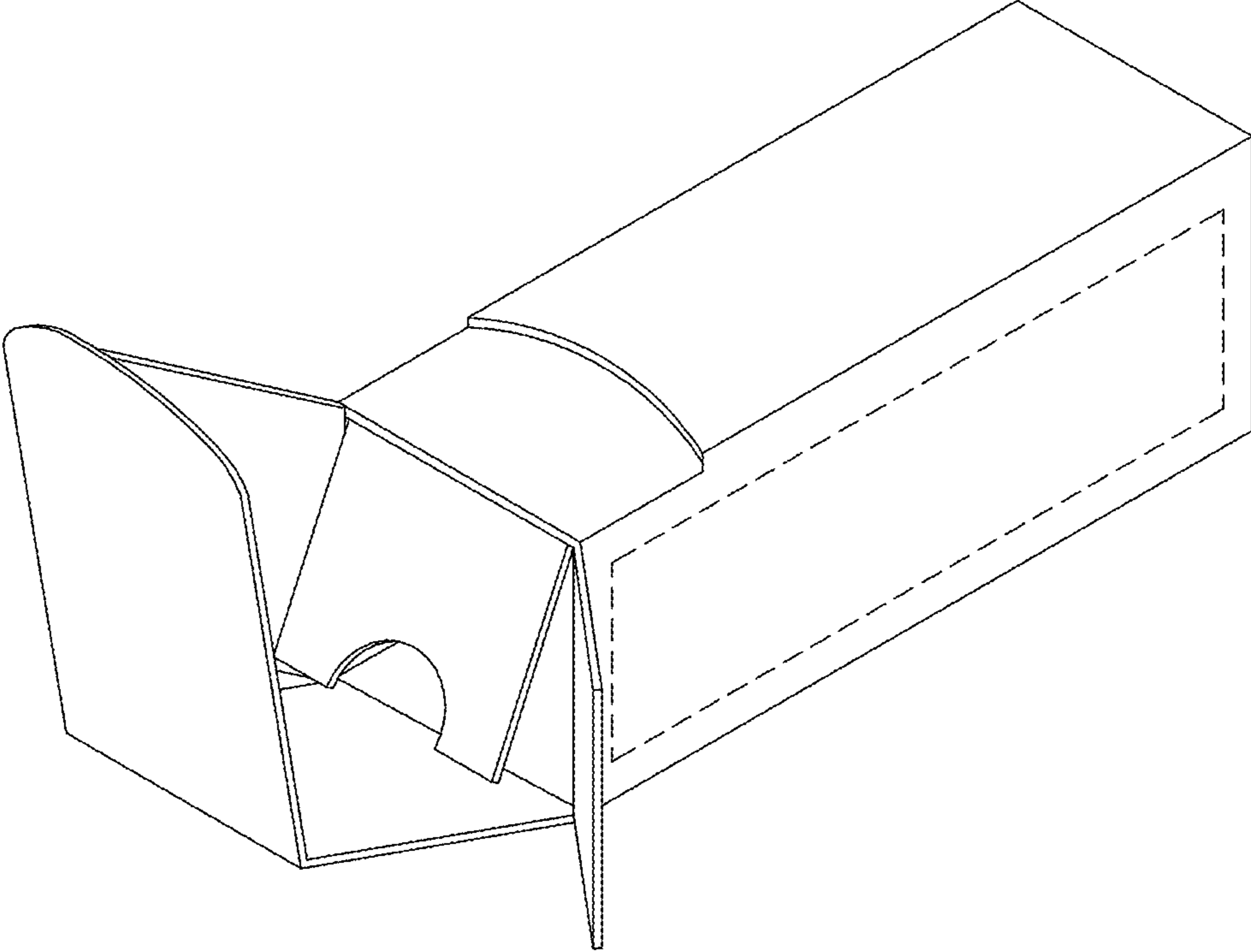


FIG. 38

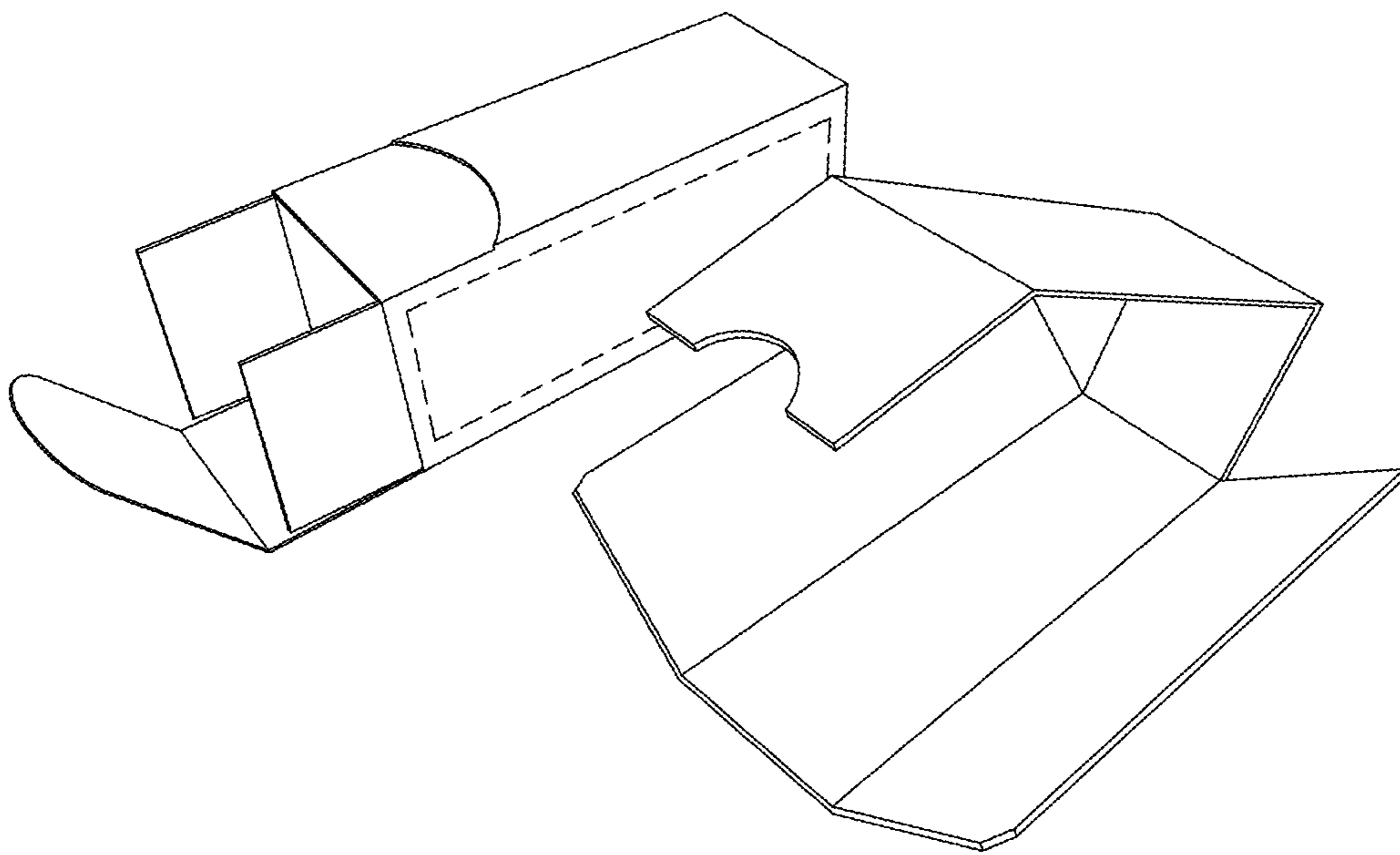


FIG. 39

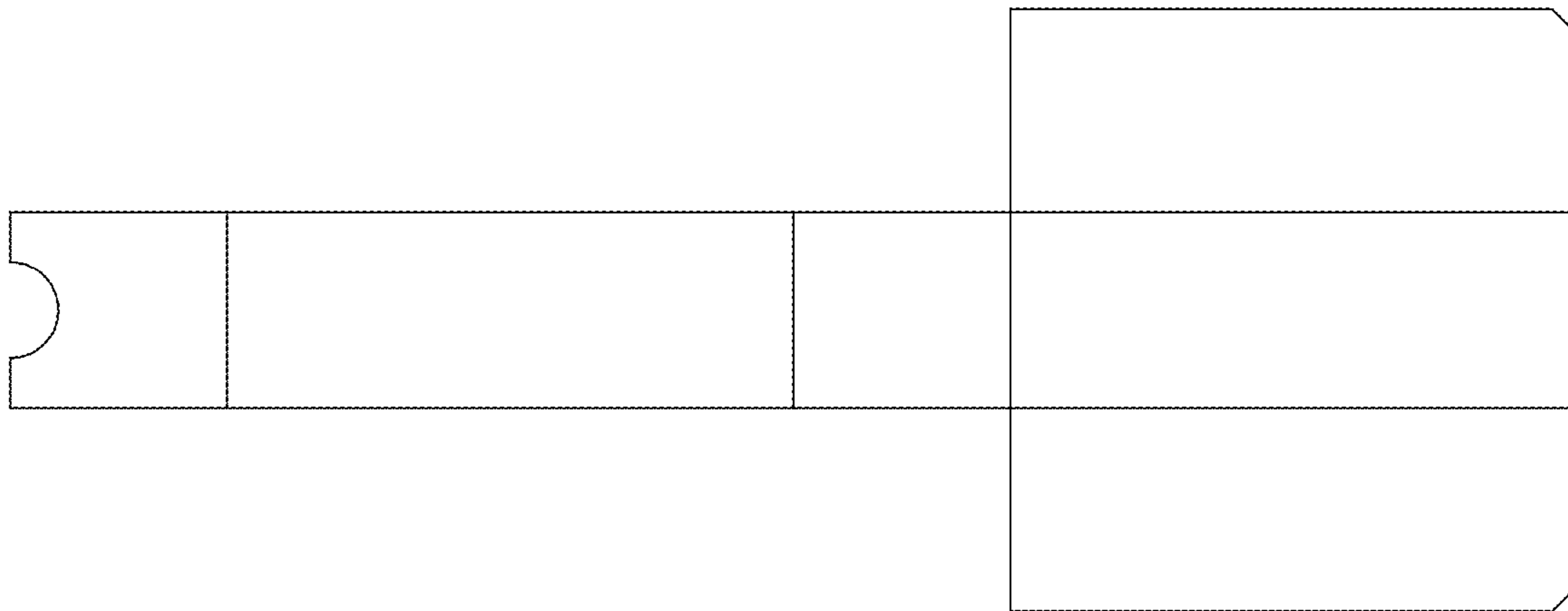


FIG. 40