



US00D981226S

(12) **United States Design Patent**  
**Zemel et al.**

(10) **Patent No.:** **US D981,226 S**  
(45) **Date of Patent:** **\*\* Mar. 21, 2023**

(54) **CONTAINER**

- (71) Applicant: **Mr. Bar-B-Q Products LLC**, Melville, NY (US)
- (72) Inventors: **Marc Zemel**, Melville, NY (US);  
**Joanne Rudis**, Melville, NY (US)
- (73) Assignee: **MR. BAR-B-Q PRODUCTS LLC**, Hauppauge, NY (US)

(\*\*) Term: **15 Years**

(21) Appl. No.: **29/781,666**

(22) Filed: **Apr. 30, 2021**

(51) **LOC (14) Cl.** ..... **09-03**

(52) **U.S. Cl.**  
USPC ..... **D9/420; D9/432; D9/737**

(58) **Field of Classification Search**  
USPC ..... D3/201, 272, 273, 302; D9/414–416,  
D9/418–420, 424, 425, 426, 430–434,  
D9/455, 456, 499, 737; D7/629, 701,  
D7/637  
CPC ... B65D 5/00; B65D 5/02; B65D 5/18; B65D  
5/20; A23P 20/20  
See application file for complete search history.

(56) **References Cited**

**U.S. PATENT DOCUMENTS**

D26,025 S *	9/1896	Hurd	.....	D9/737
D284,253 S *	6/1986	Carlson	.....	D7/629
D304,008 S *	10/1989	Hornung	.....	D7/629
D401,405 S *	11/1998	Kim	.....	D3/205
D443,415 S *	6/2001	Hung	.....	D3/273
D464,196 S *	10/2002	Parker	.....	D3/273
D496,161 S *	9/2004	Rosler	.....	D3/273
D498,049 S *	11/2004	Perella	.....	D3/276
D581,267 S *	11/2008	Tearle	.....	D9/432
D582,661 S *	12/2008	Katsof	.....	D3/201
8,156,859 B2	4/2012	Leason et al.		
D733,503 S *	7/2015	Bagley	.....	D7/629

(Continued)

**OTHER PUBLICATIONS**

Amazon. Mr. Bar-B-Q 40291Y Barbecue Caddy, Black. Review by "frohoss". May 15, 2018. <https://www.amazon.com/Mr-Bar-B-Q-40291Y-Barbecue-Caddy/dp/B077J597DH> (Year: 2018).\*

(Continued)

*Primary Examiner* — Darcey E Gottschalk

(74) *Attorney, Agent, or Firm* — Carter, DeLuca & Farrell LLP

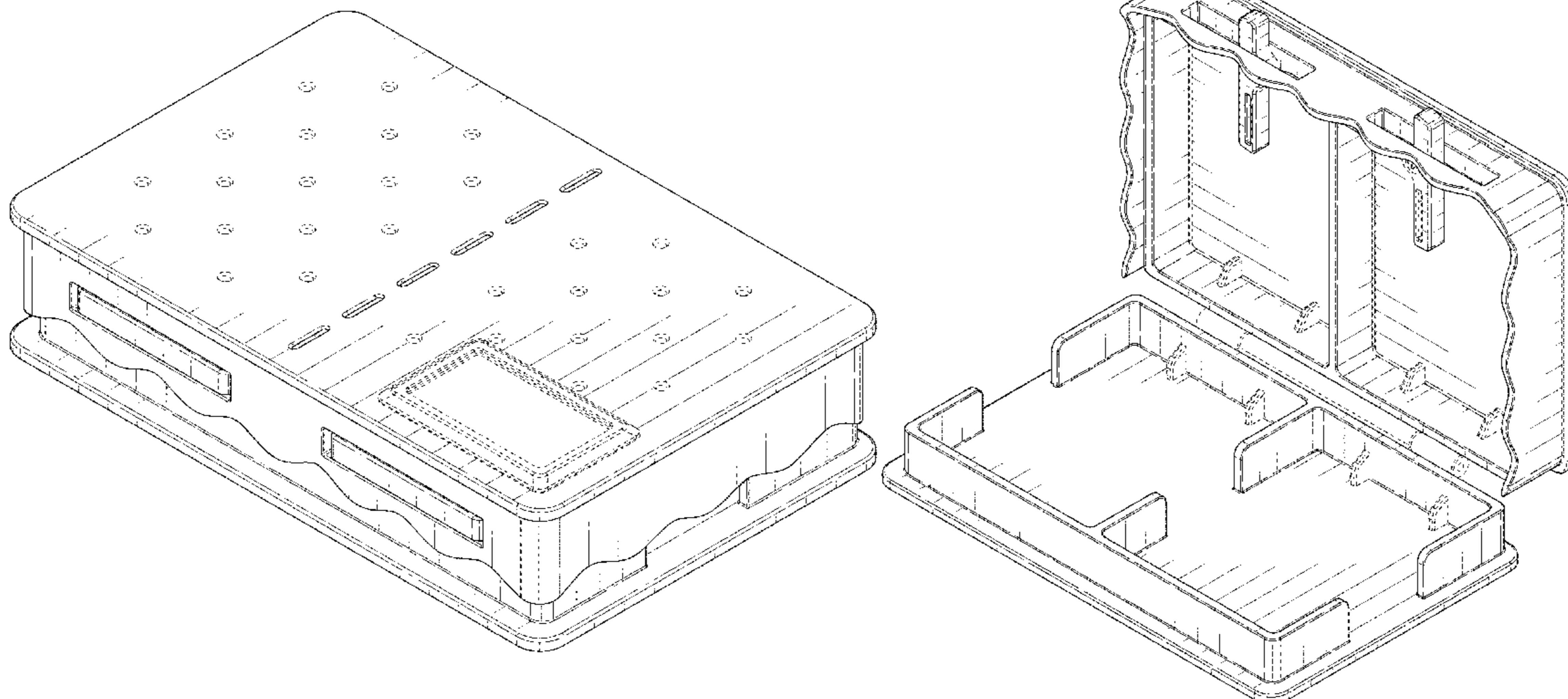
(57) **CLAIM**

The ornamental design for a container, as shown and described.

**DESCRIPTION**

FIG. 1 is a top perspective view of a container in closed configuration in accordance with the present design;  
 FIG. 2 is a front elevational view thereof;  
 FIG. 3 is a rear elevational view thereof;  
 FIG. 4 is a left side elevational view thereof;  
 FIG. 5 is a right side elevational view thereof;  
 FIG. 6 is a top plan view thereof;  
 FIG. 7 is a bottom plan view thereof;  
 FIG. 8 is a top perspective view of a container in an open configuration with a movable tab shown in a stored configuration in accordance with the present design;  
 FIG. 9 is a front elevational view thereof;  
 FIG. 10 is a rear elevational view thereof;  
 FIG. 11 is a left elevational view thereof;  
 FIG. 12 is a right elevational view thereof;  
 FIG. 13 is a top plan view thereof;  
 FIG. 14 is a bottom plan view thereof; and,  
 FIG. 15 is a top perspective view of FIG. 8 with the movable tab shown in an un-stored configuration thereof.  
 The broken lines shown in the drawings illustrate portions of the container that form no part of the claimed design.

**1 Claim, 11 Drawing Sheets**



(56)

**References Cited**

U.S. PATENT DOCUMENTS

D874,126 S \* 2/2020 Peters ..... D3/273  
D953,129 S \* 5/2022 Swartz ..... D7/703  
D964,851 S \* 9/2022 Aloisio ..... D9/432  
2006/0134272 A1 6/2006 Proper et al.

OTHER PUBLICATIONS

Mr. Bar-B-Q. Cook, Carry and Serve. No date specified. <https://mrbarbq.com/products/cook-carry-and-serve/> (Year: 0).\*

\* cited by examiner

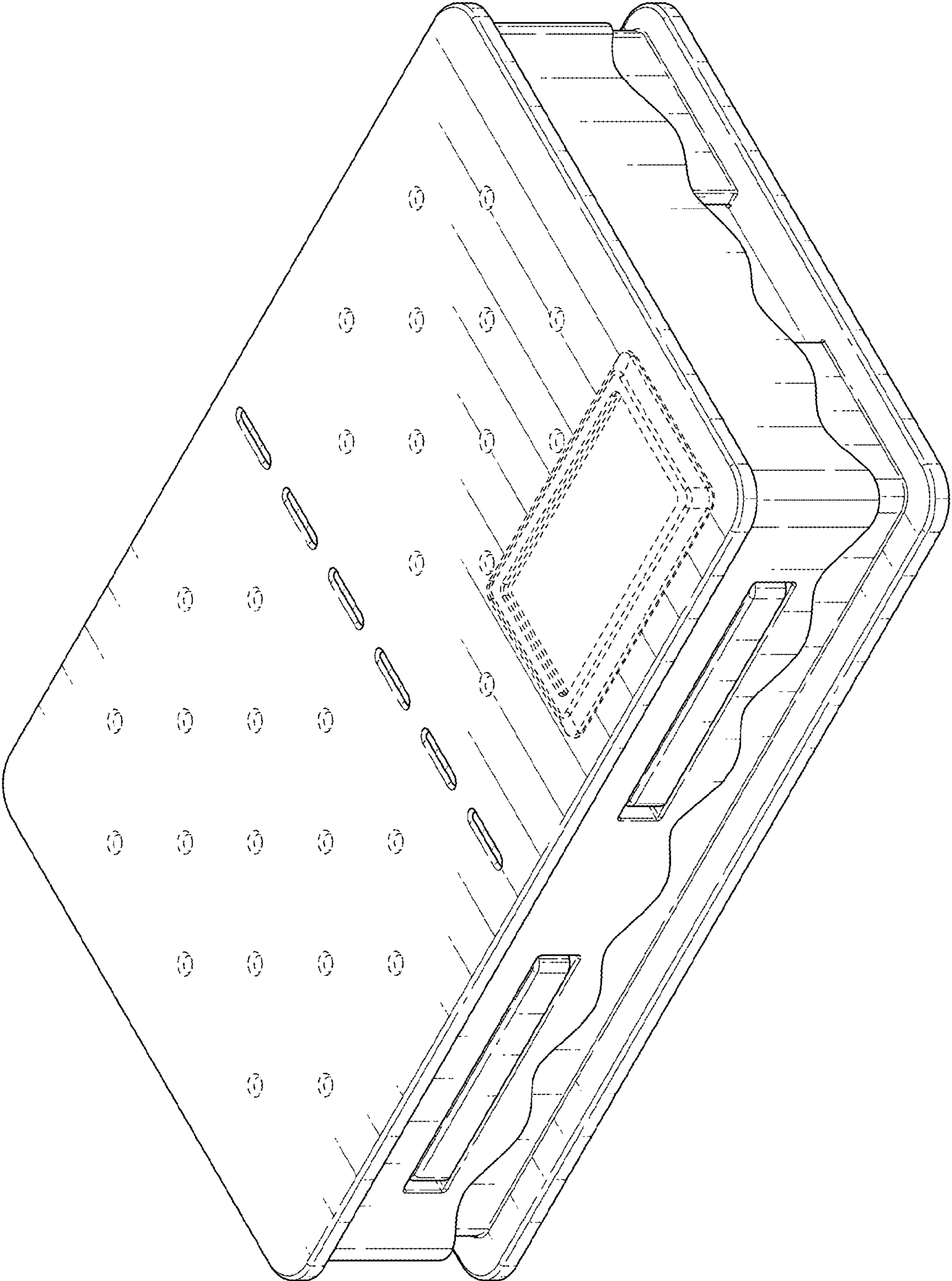


FIG. 1



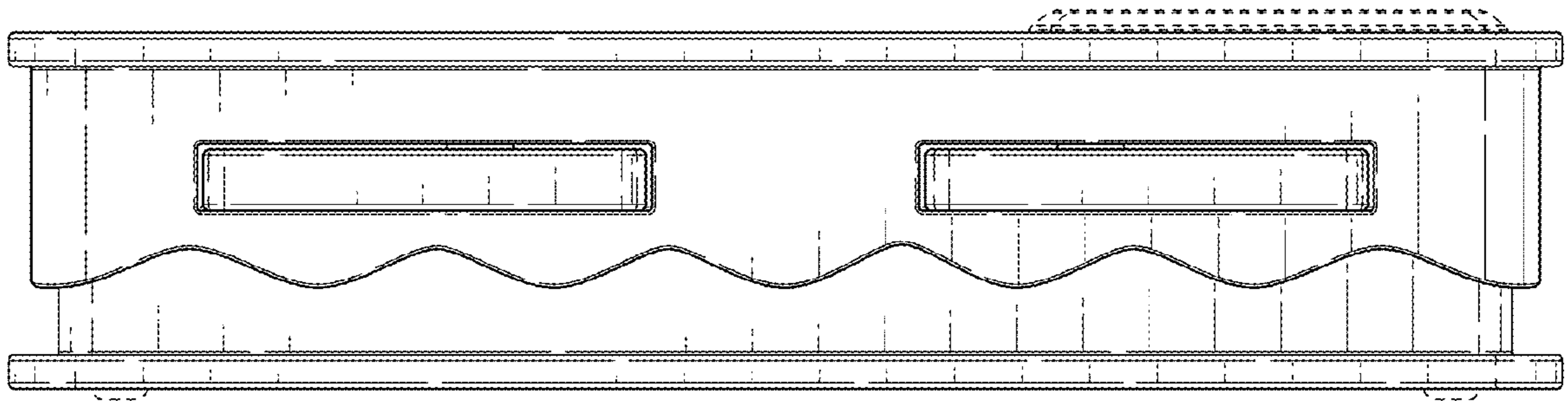


FIG. 2

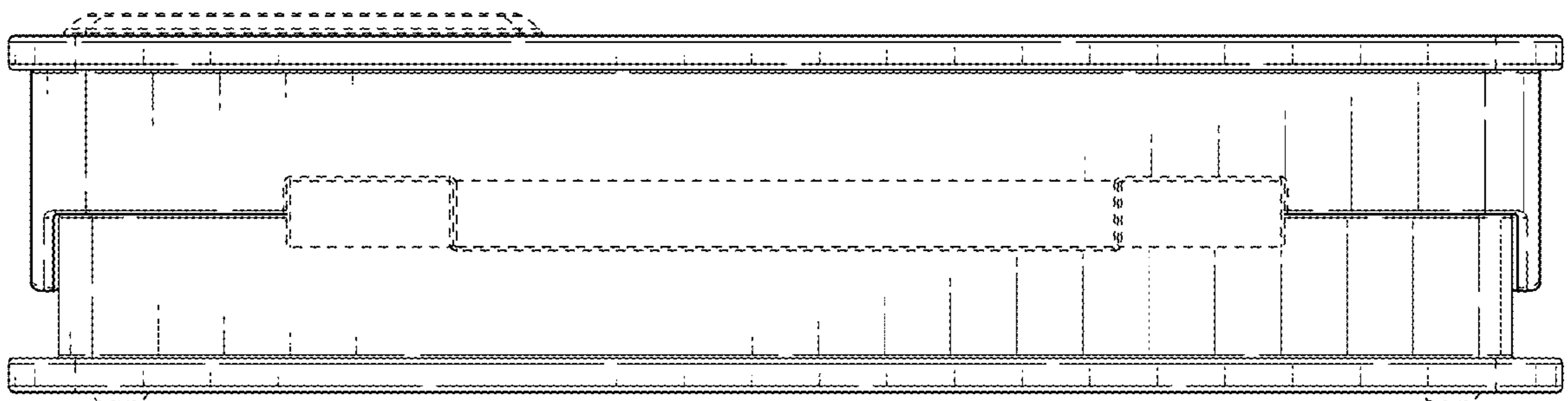


FIG. 3

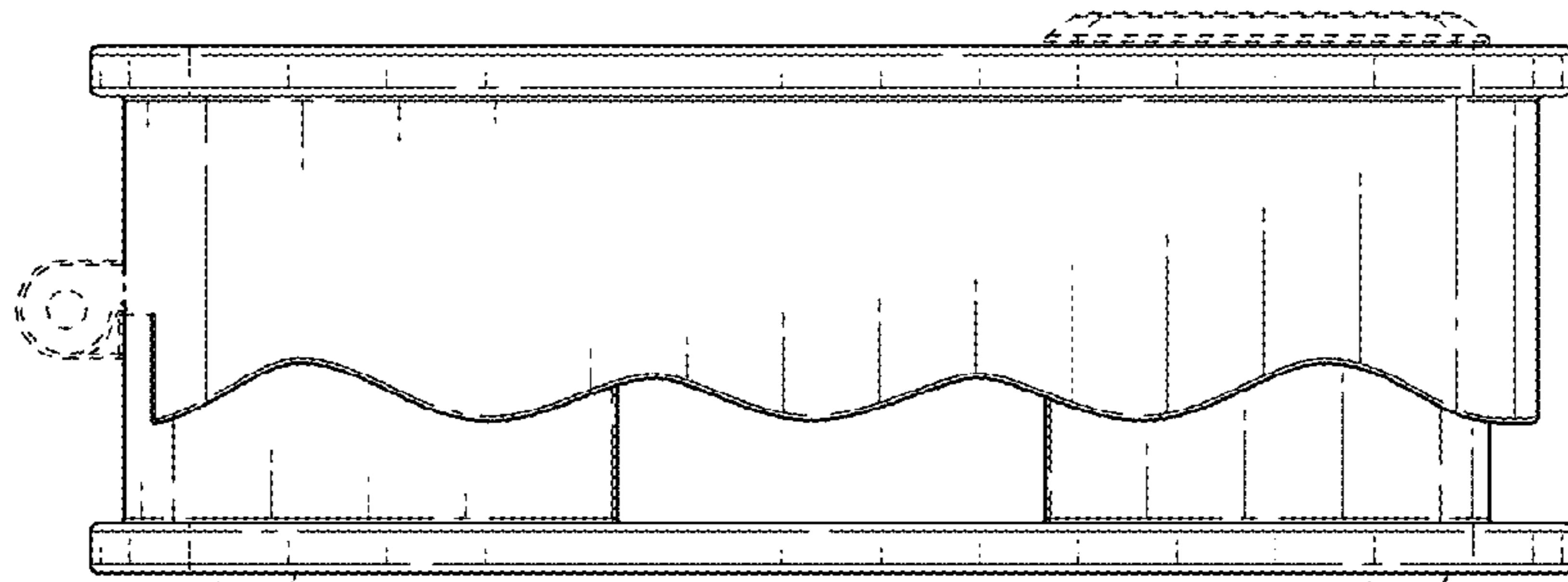


FIG. 4

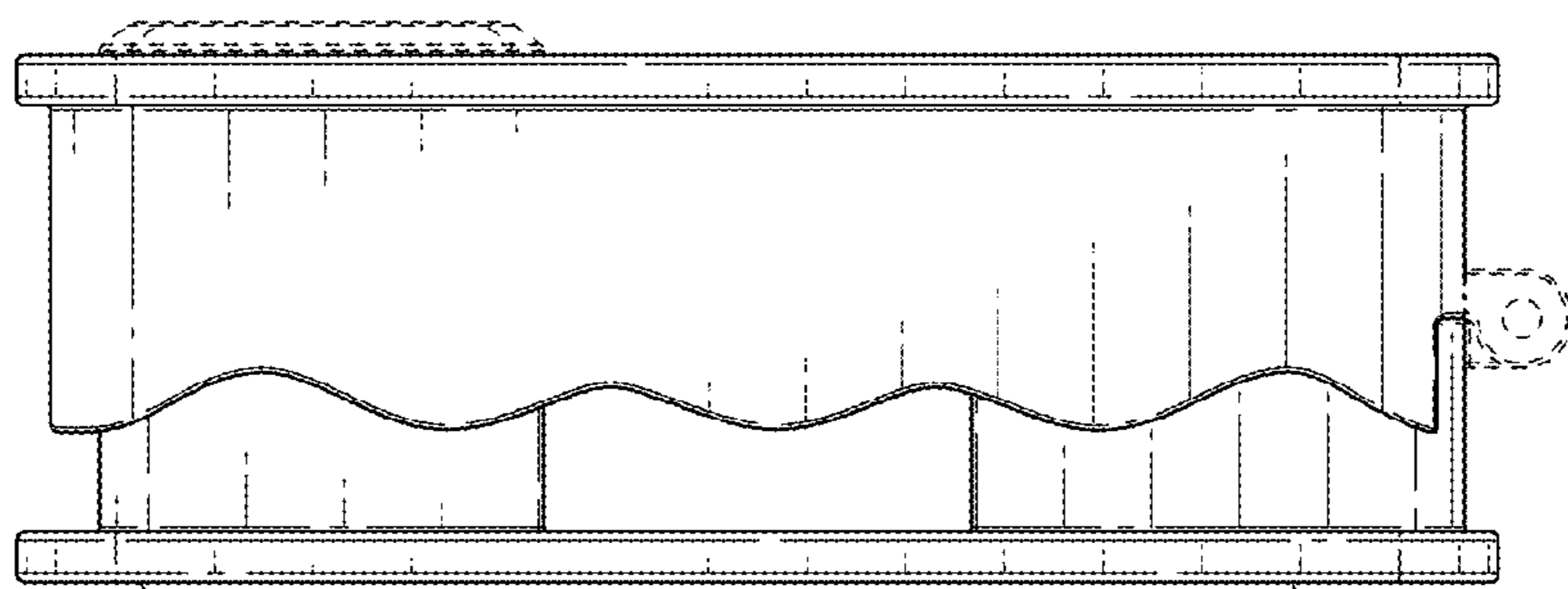


FIG. 5

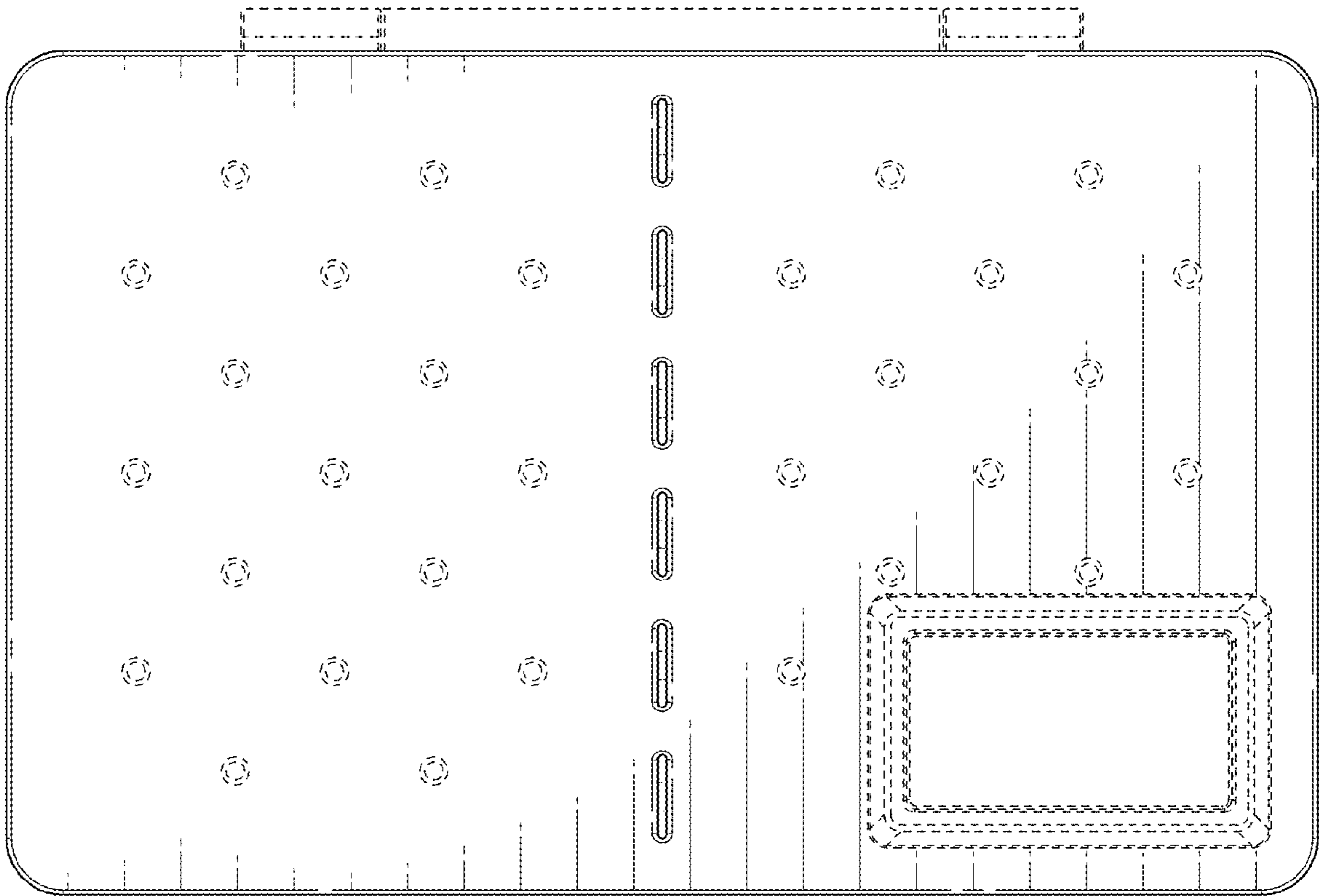


FIG. 6

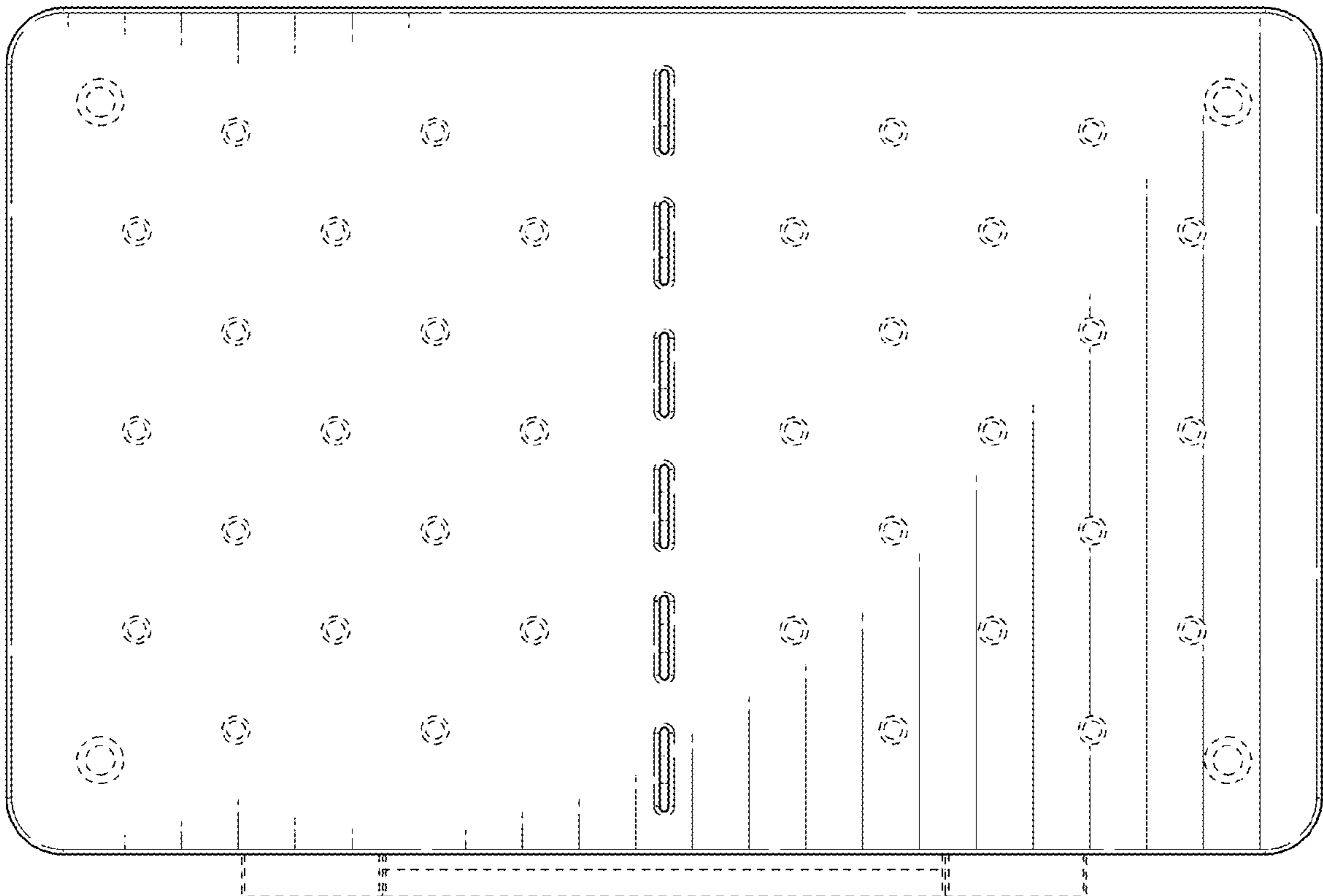


FIG. 7

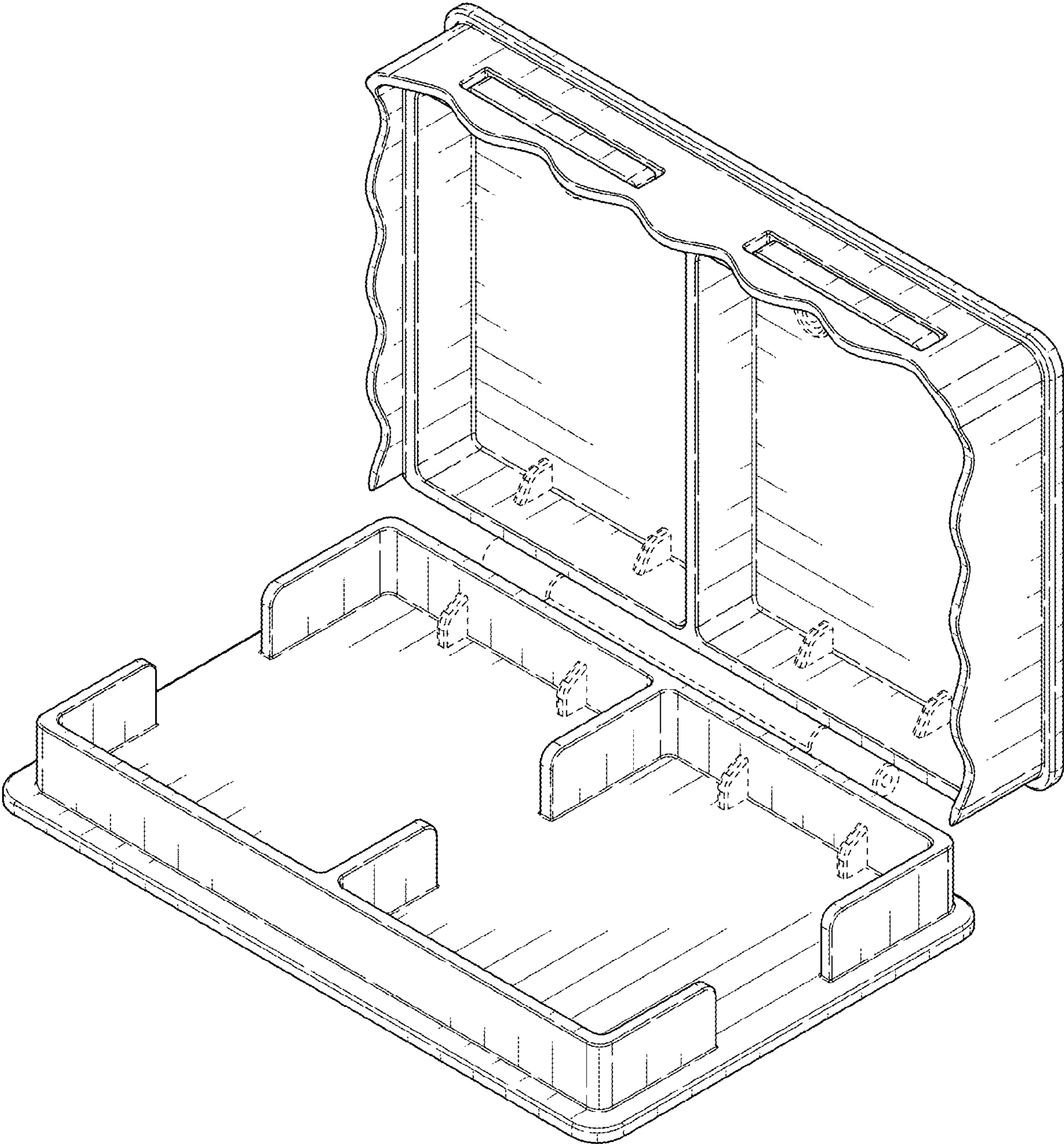


FIG. 8

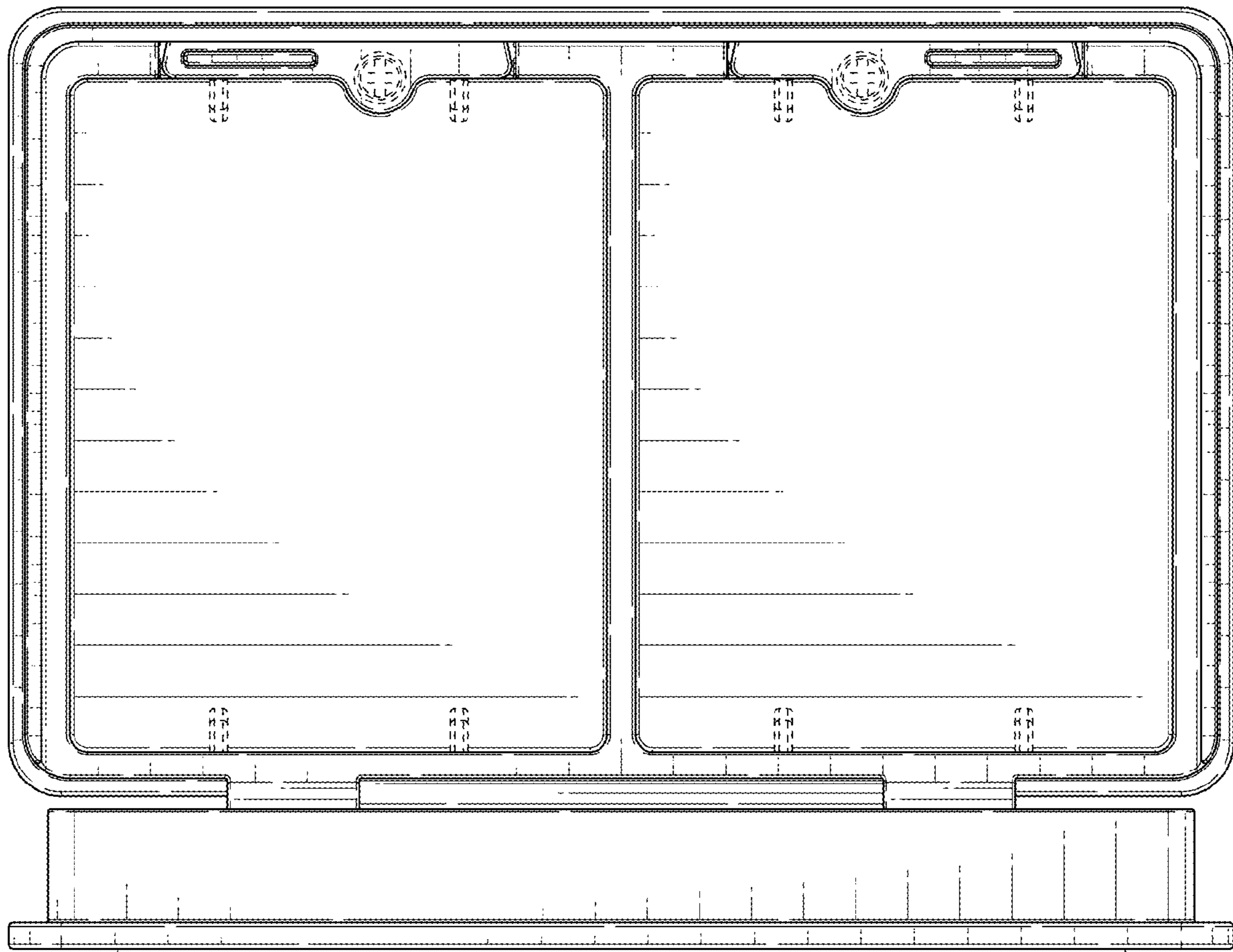


FIG. 9



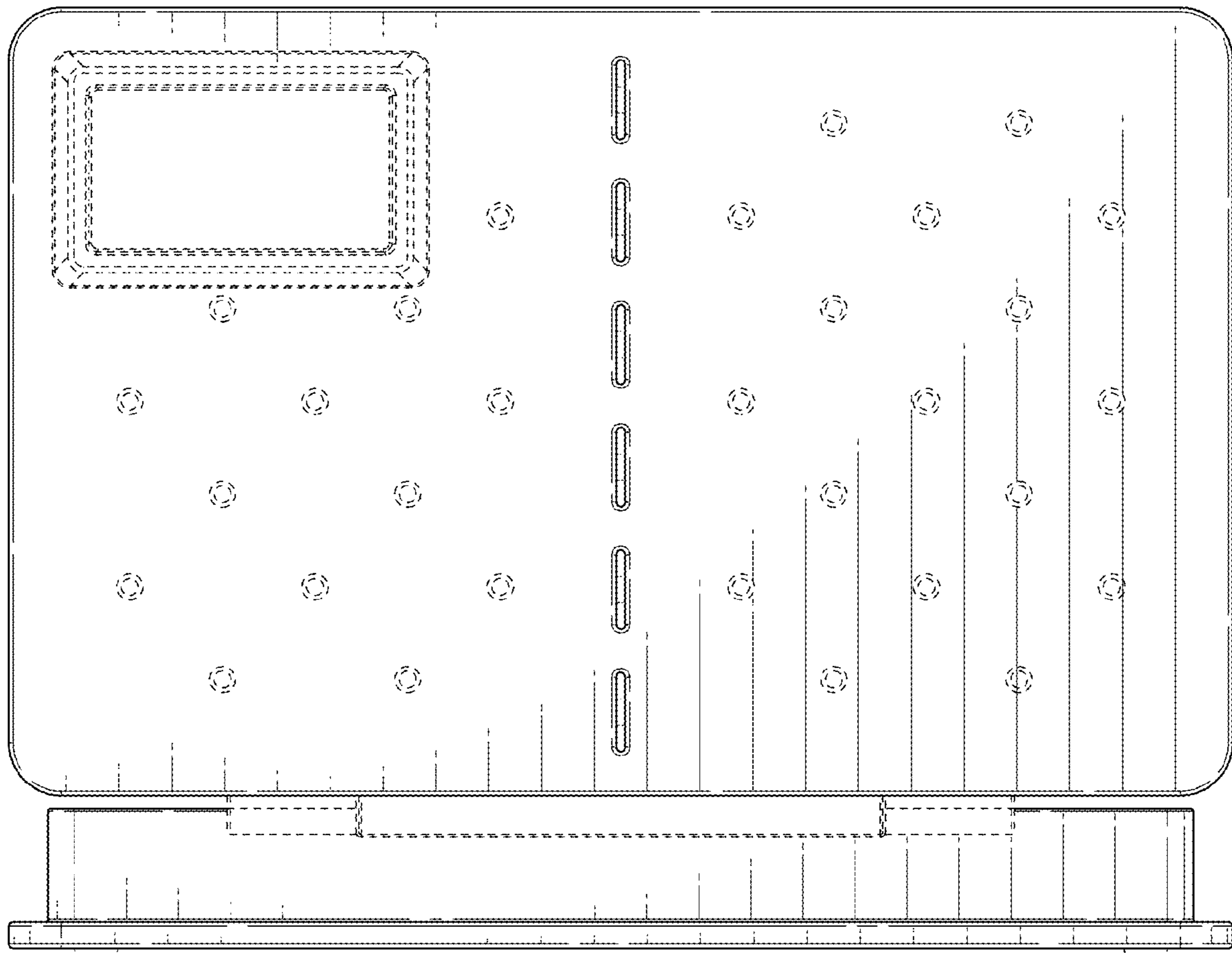


FIG. 10



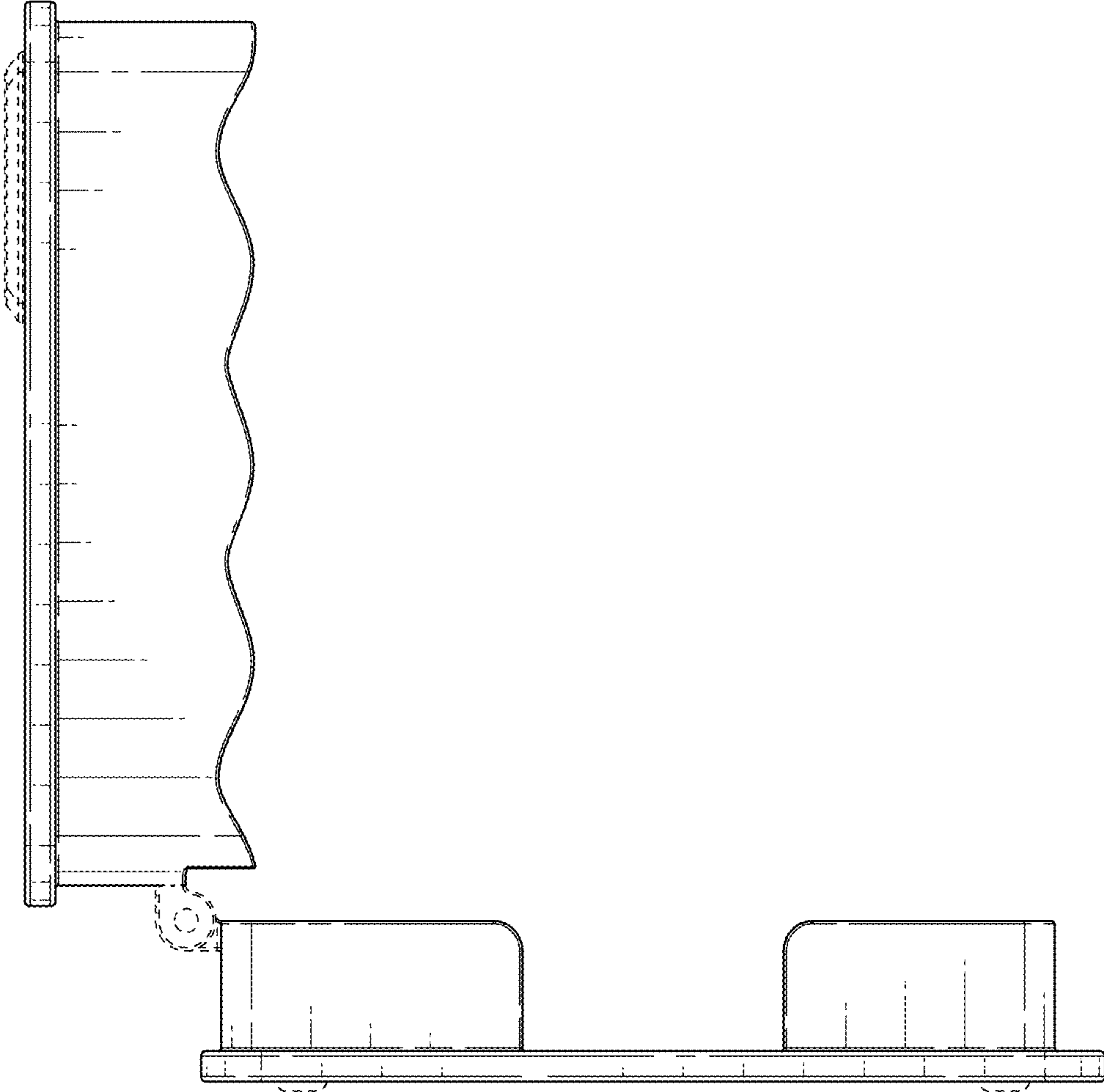


FIG. 11

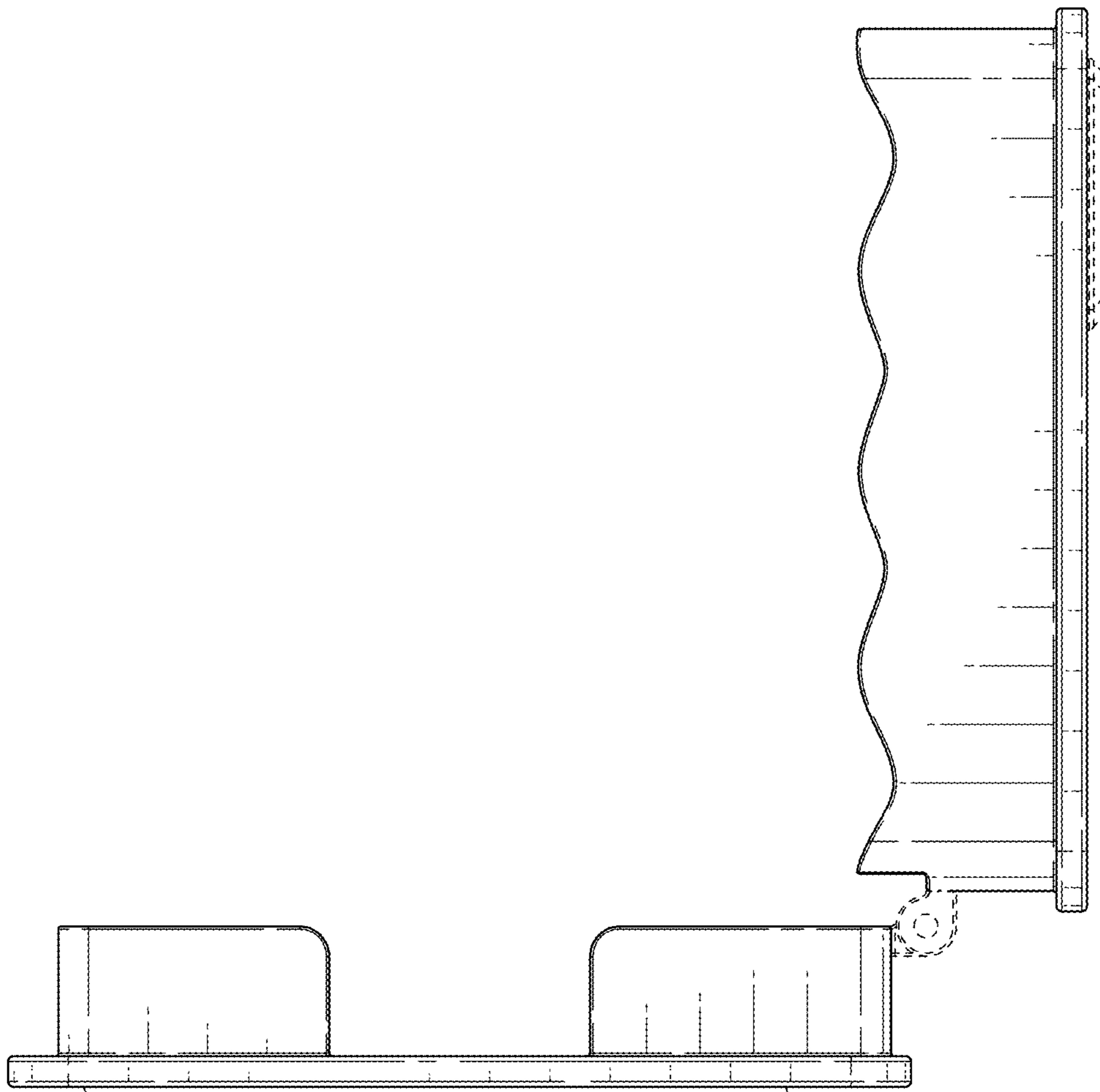


FIG. 12

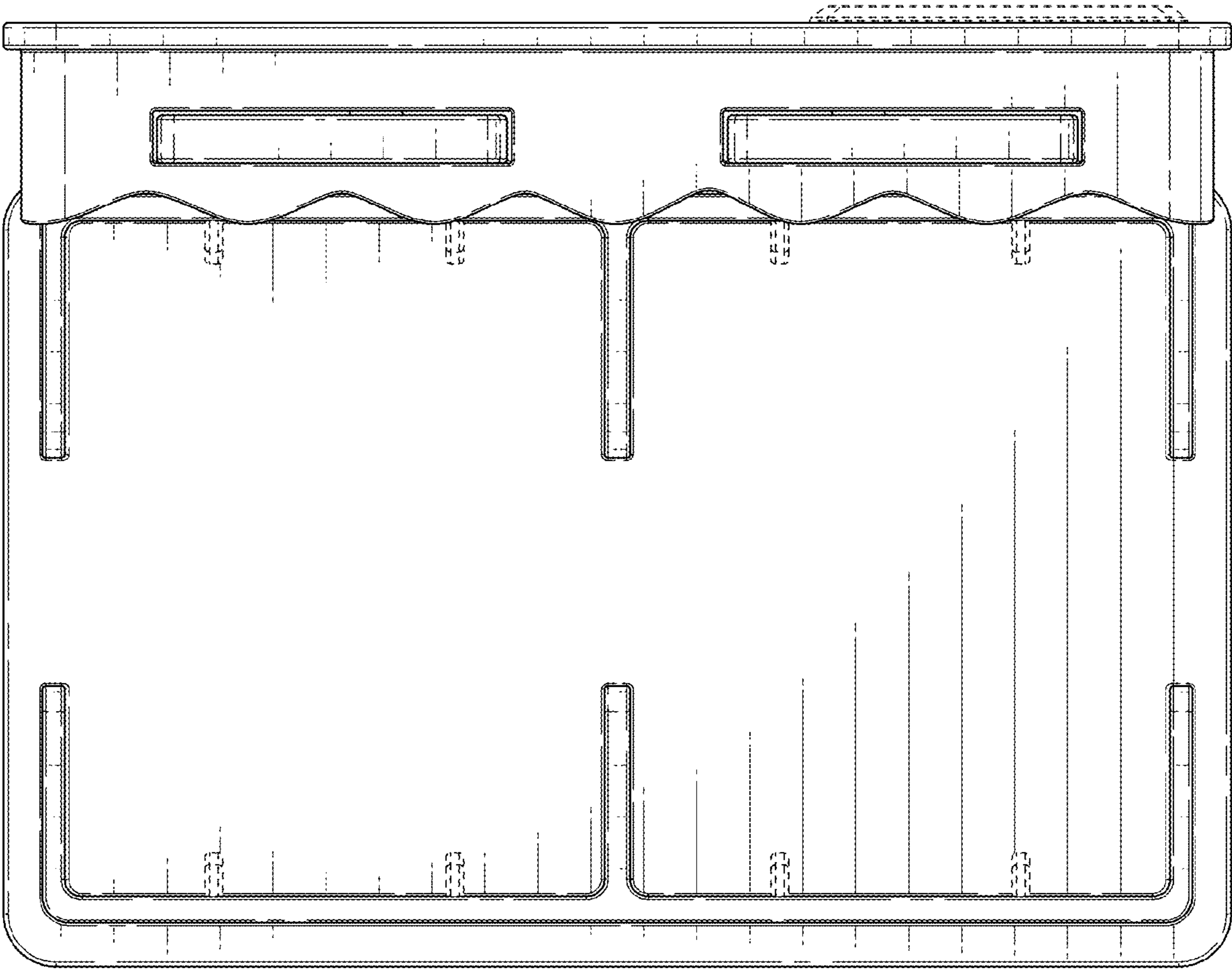


FIG. 13

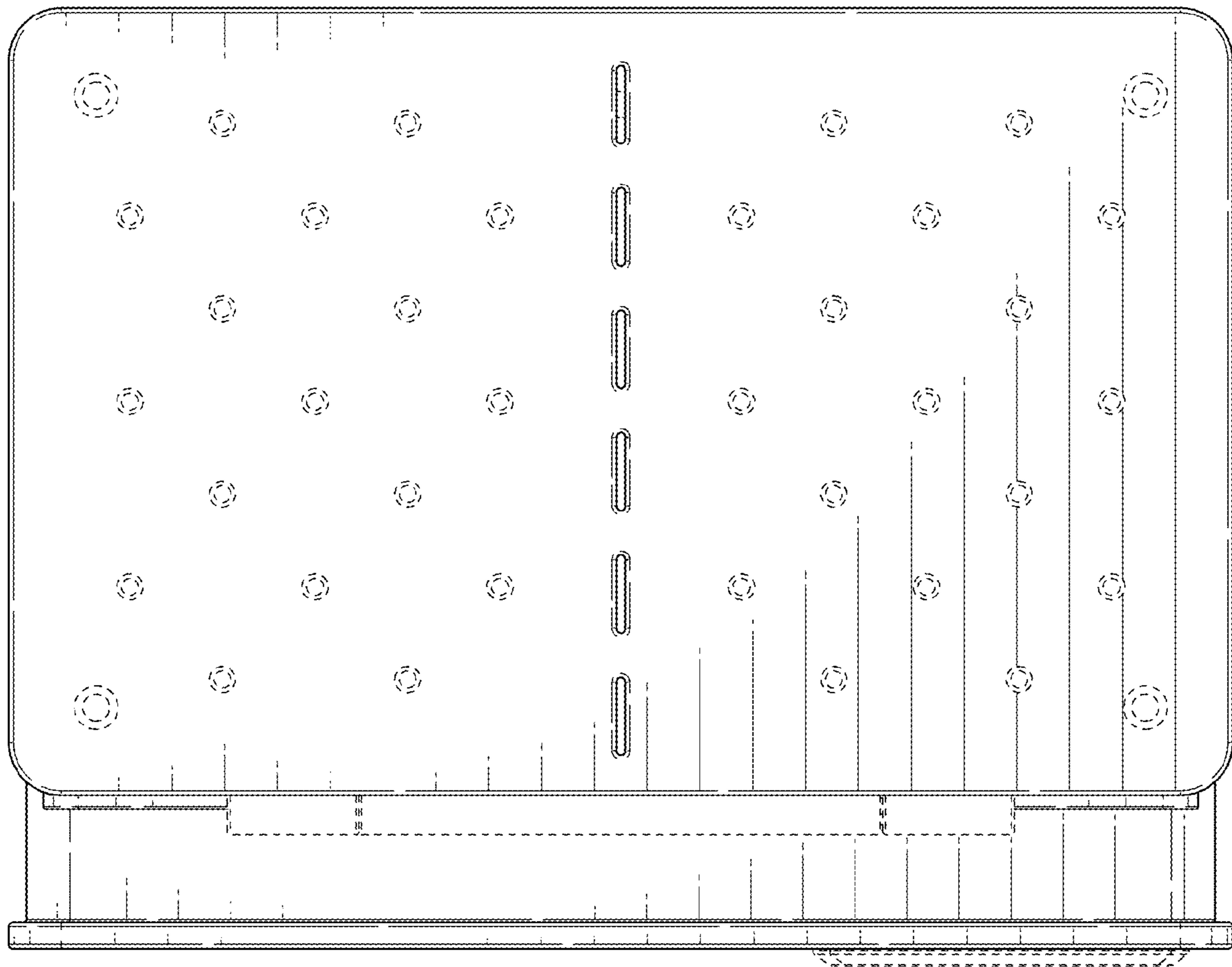


FIG. 14



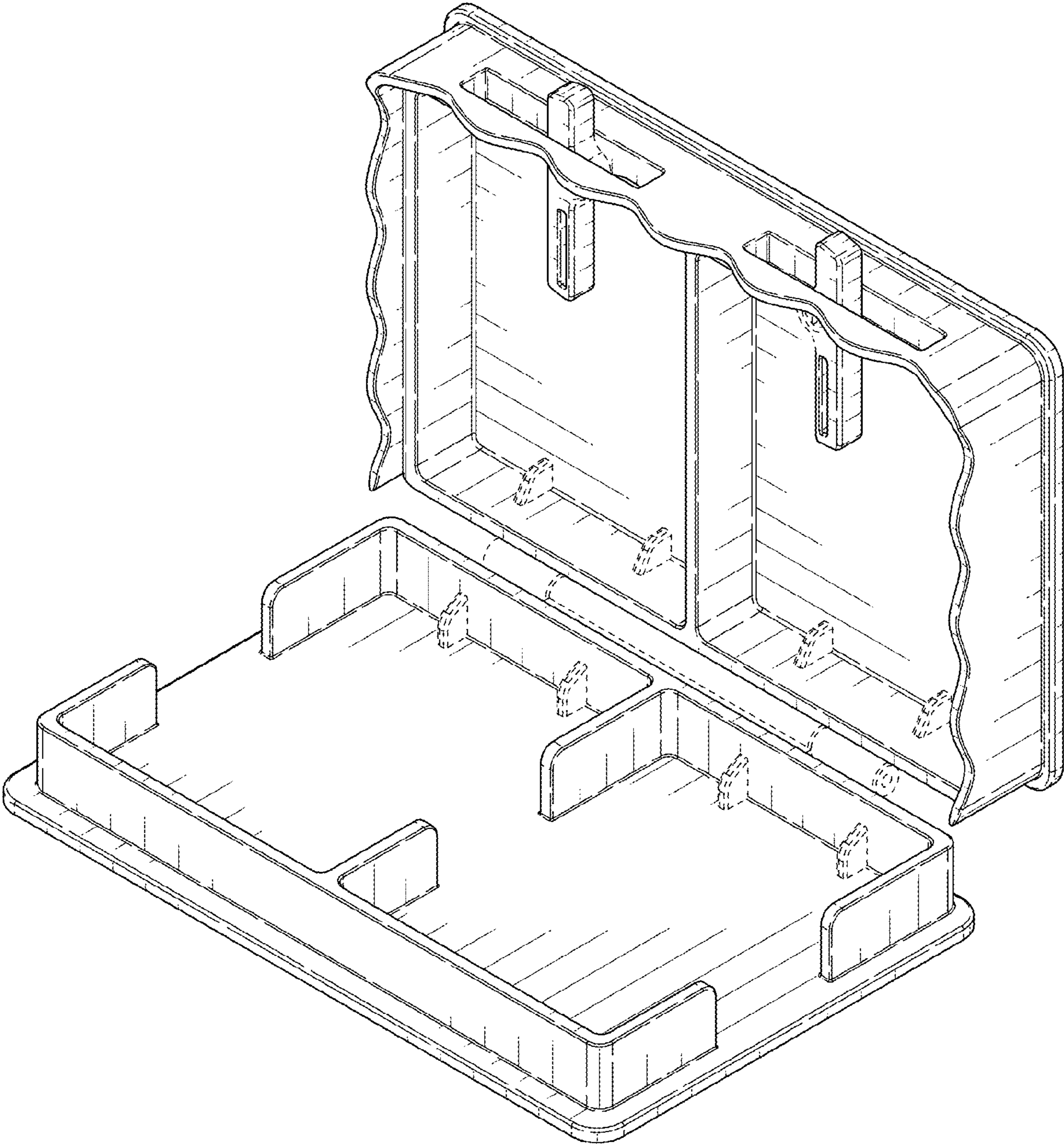


FIG. 15