



US00D981223S

(12) **United States Design Patent**
Blackwell

(10) **Patent No.:** **US D981,223 S**
(45) **Date of Patent:** **** Mar. 21, 2023**

(54) **COMBINED FOOD CONTAINER AND TABLE MAT**

(71) Applicant: **Stephen Bradley Blackwell**,
Charleston, WV (US)

(72) Inventor: **Stephen Bradley Blackwell**,
Charleston, WV (US)

(**) Term: **15 Years**

(21) Appl. No.: **29/734,023**

(22) Filed: **May 8, 2020**

(51) **LOC (14) Cl.** **09-03**

(52) **U.S. Cl.**
USPC **D9/416; D9/433**

(58) **Field of Classification Search**
USPC D9/414-418, 420, 423, 434, 499, 422,
D9/426, 455, 456, 419, 702, 703, 707,
D9/709, 711, 713, 430-433; D3/232,
D3/243, 294, 315, 324, 201, 273, 299,
D3/304, 305; D7/601, 602, 609, 610
CPC ... B65D 5/20; B65D 5/54; B65D 5/66; B65D
5/68; B65D 5/4204; B65D 5/42; B65D
5/38

See application file for complete search history.

(56) **References Cited**

U.S. PATENT DOCUMENTS

- 1,892,756 A * 1/1933 Van Horne B65D 5/603
206/515
- 1,987,545 A * 1/1935 Alexander B65D 5/16
229/123.1
- 3,206,103 A * 9/1965 Bixler B65D 5/5415
229/227
- 3,235,167 A * 2/1966 Svensson B65D 5/5435
229/228
- D237,780 S * 11/1975 Bemel D9/703
- D350,692 S * 9/1994 Seki D9/414
- D433,630 S * 11/2000 Lubineau-Bigot D9/416
- D447,055 S * 8/2001 Several D9/423

(Continued)

OTHER PUBLICATIONS

Rob Ives. Curved Lid Box. Publication date unavailable. Visited on Nov. 24, 2021. <https://www.robives.com/project/curved-lid-box-download-and-make/> (Year: 0).*

(Continued)

Primary Examiner — Darcey E Gottschalk
Assistant Examiner — Vanessa M. Pursley
(74) *Attorney, Agent, or Firm* — Akers Gwinn, LLC;
Robert E. Akers; Dustin D. Gwinn

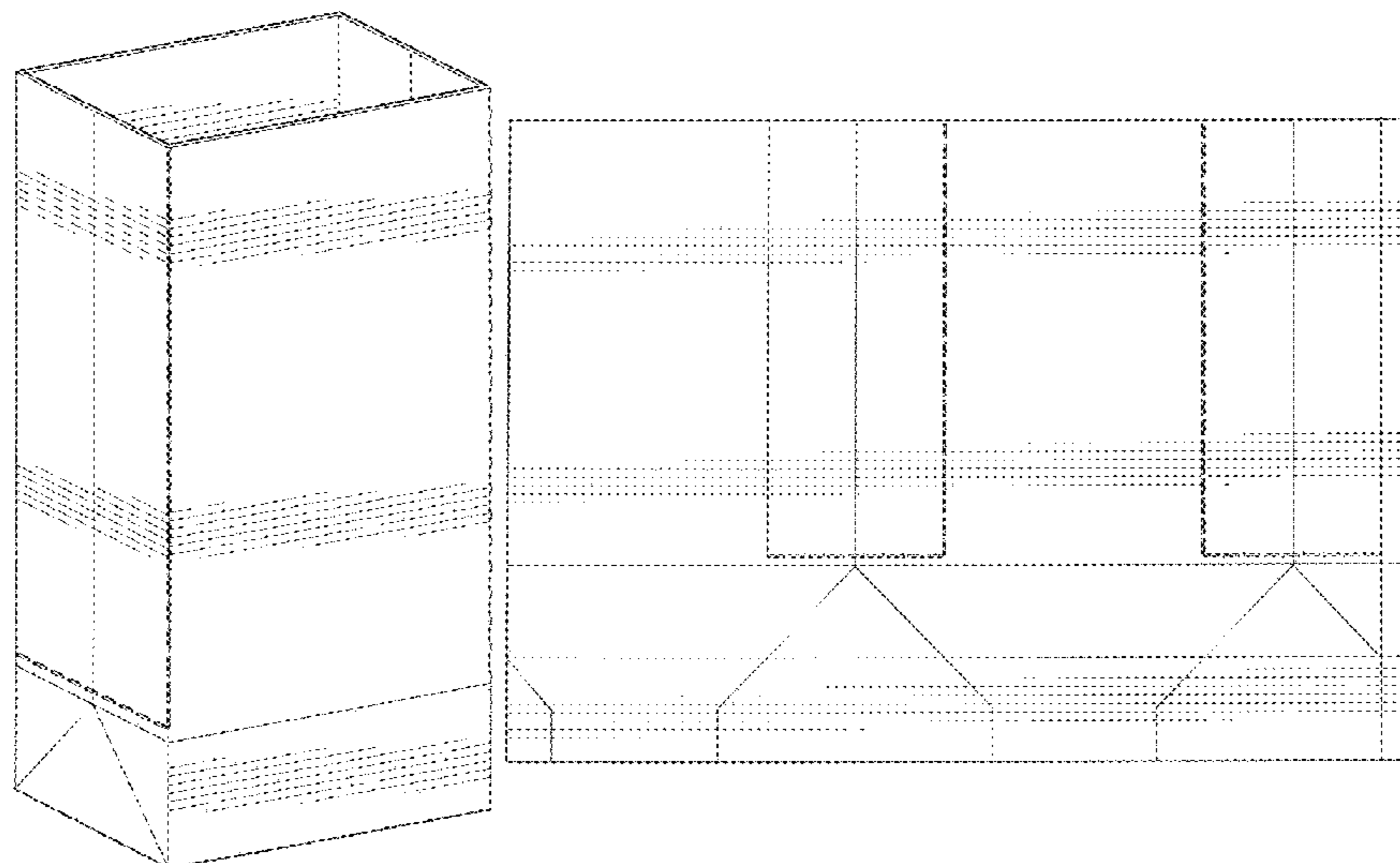
(57) **CLAIM**

The ornamental design for a combined food container and table mat, as shown and described.

DESCRIPTION

FIG. 1 is an isometric view from front/left side of an unconverted combined food container and table mat.
 FIG. 2 is a front view of an unconverted combined food container and table mat.
 FIG. 3 is a back view of an unconverted combined food container and table mat.
 FIG. 4 is a left-side view of an unconverted combined food container and table mat.
 FIG. 5 is a right-side view of an unconverted combined food container and table mat.
 FIG. 6 is a top view of an unconverted combined food container and table mat.
 FIG. 7 is a bottom view of an unconverted combined food container and table mat.
 FIG. 8 is a flat pattern view of an unfolded combined food container and table mat illustrating perforations and fold lines shown for clarity of illustration; and,
 FIG. 9 is an inverted isometric view of a converted combined food container and table mat from front/left side.

1 Claim, 8 Drawing Sheets



(56)

References Cited

U.S. PATENT DOCUMENTS

D497,541 S * 10/2004 Clark D9/703
 D532,685 S * 11/2006 Reussner D9/416
 D601,435 S * 10/2009 Fell D9/713
 D605,035 S * 12/2009 Altonen D9/432
 D607,341 S * 1/2010 Blinderman D9/631
 D616,766 S * 6/2010 Sikorski D9/711
 D625,179 S * 10/2010 Gibson D9/423
 D634,646 S * 3/2011 Belko D9/709
 D635,454 S * 4/2011 Witte D9/416
 D640,932 S * 7/2011 Kasha D9/703
 D643,747 S * 8/2011 Rye D9/721
 D706,128 S * 6/2014 Strom D9/416
 D706,129 S * 6/2014 Boraczek D9/418
 D730,725 S * 6/2015 Sanfilippo D9/416
 D749,964 S * 2/2016 Glass D9/703
 D764,903 S * 8/2016 Sanfilippo D9/416
 D777,571 S * 1/2017 Borkovetz D9/432
 D778,149 S * 2/2017 Frick D9/416
 D782,917 S * 4/2017 Anderson D9/703
 D809,912 S * 2/2018 Ng D9/420
 D830,789 S * 10/2018 Brooks D7/624.2
 D854,409 S * 7/2019 Parker D9/420
 D855,454 S * 8/2019 Sanfilippo D9/420
 D876,951 S * 3/2020 Sill D9/431

D881,019 S * 4/2020 Recchia D9/709
 D924,049 S * 7/2021 Carr D9/418
 D932,891 S * 10/2021 Chambers D9/432
 D942,853 S * 2/2022 Sollie D9/432
 D944,082 S * 2/2022 Glassman D9/432
 D949,012 S * 4/2022 Sevsek D9/433
 D949,685 S * 4/2022 Box D9/432
 D956,553 S * 7/2022 Bevier D9/433
 D962,641 S * 9/2022 Wei D3/290
 D964,852 S * 9/2022 Meyndt D9/433
 D966,098 S * 10/2022 Gonzalez Manzano D9/431
 D966,102 S * 10/2022 Meyndt D9/433

OTHER PUBLICATIONS

If World Design Guide. Placemat-Paper Bag / packaging. Publication date unavailable. Visited Nov. 24, 2021. <https://ifworlddesignguide.com/entry/122457-placemat-paper-bag> (Year: 0).*

Sean FX. Placesaks—New idea for your paper bag. Publication date unavailable. Visited Nov. 24, 2021. <https://seanfx.com/placesaks/> (Year: 0).*

Pixta. Stock Illustration: Paper Bag packaging die cut template design. Publication date unavailable. Visited Nov. 24, 2021. <https://www.pixtastock.com/illustration/61400756> (Year: 0).*

* cited by examiner

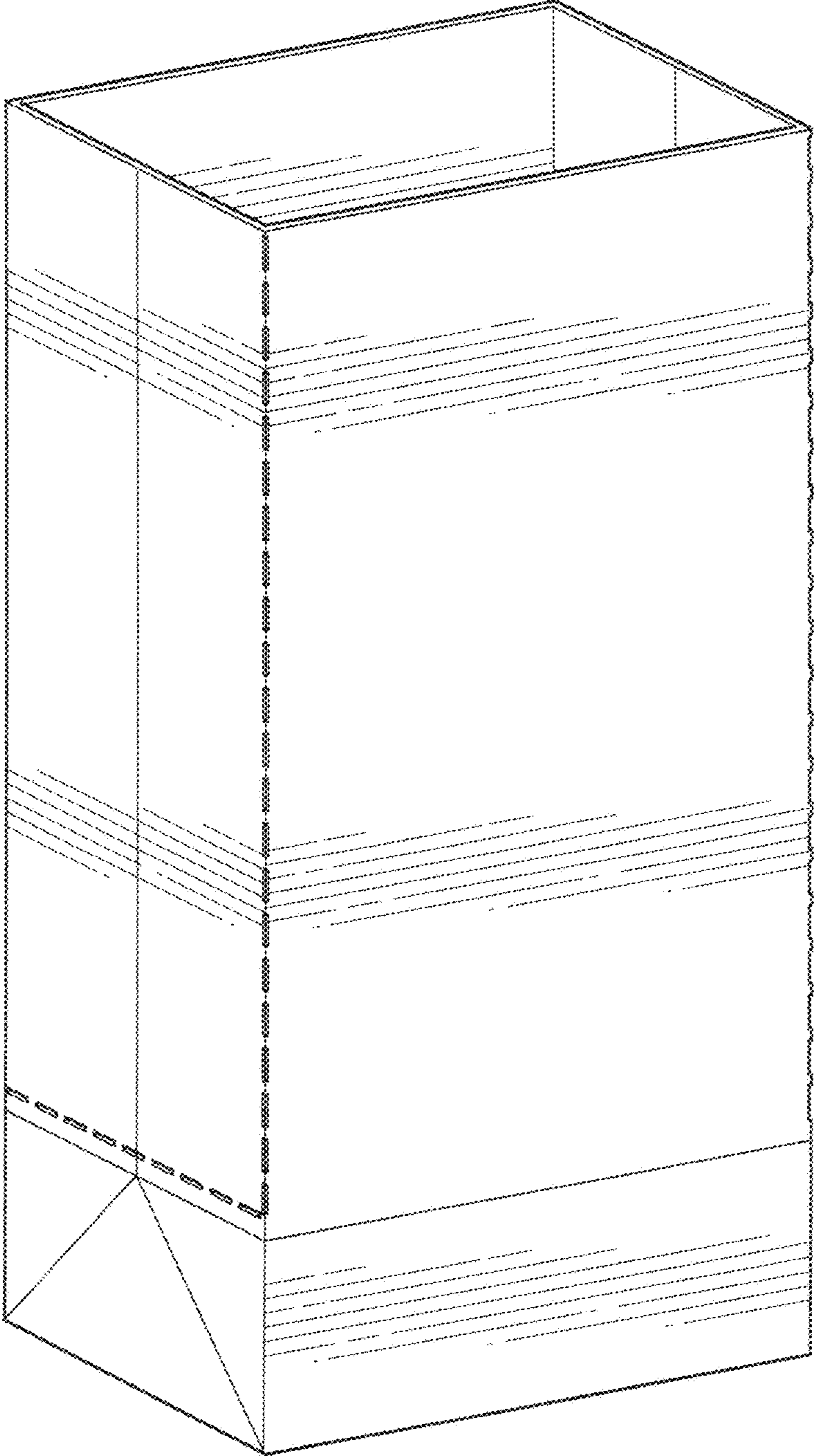


FIG. 1

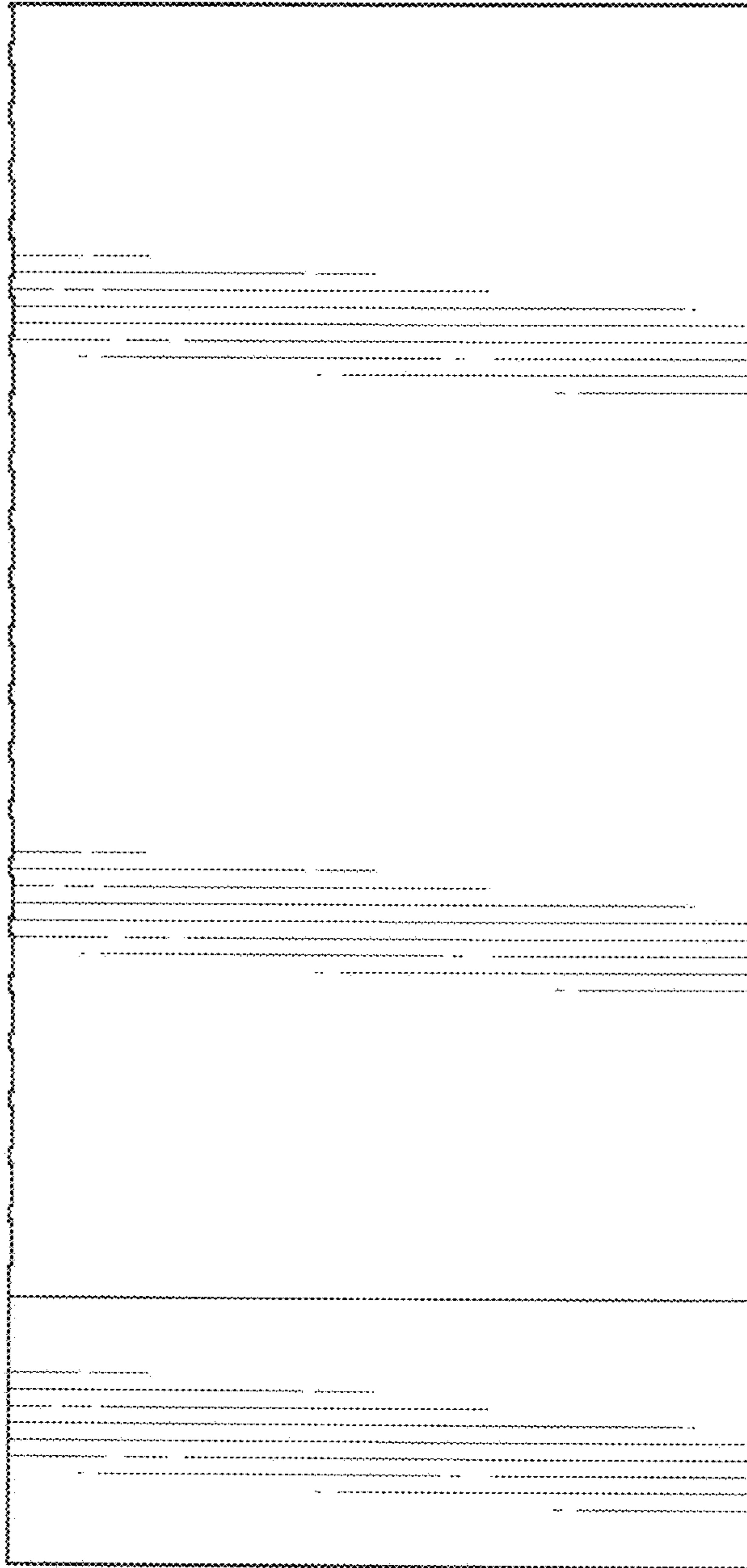


FIG. 2

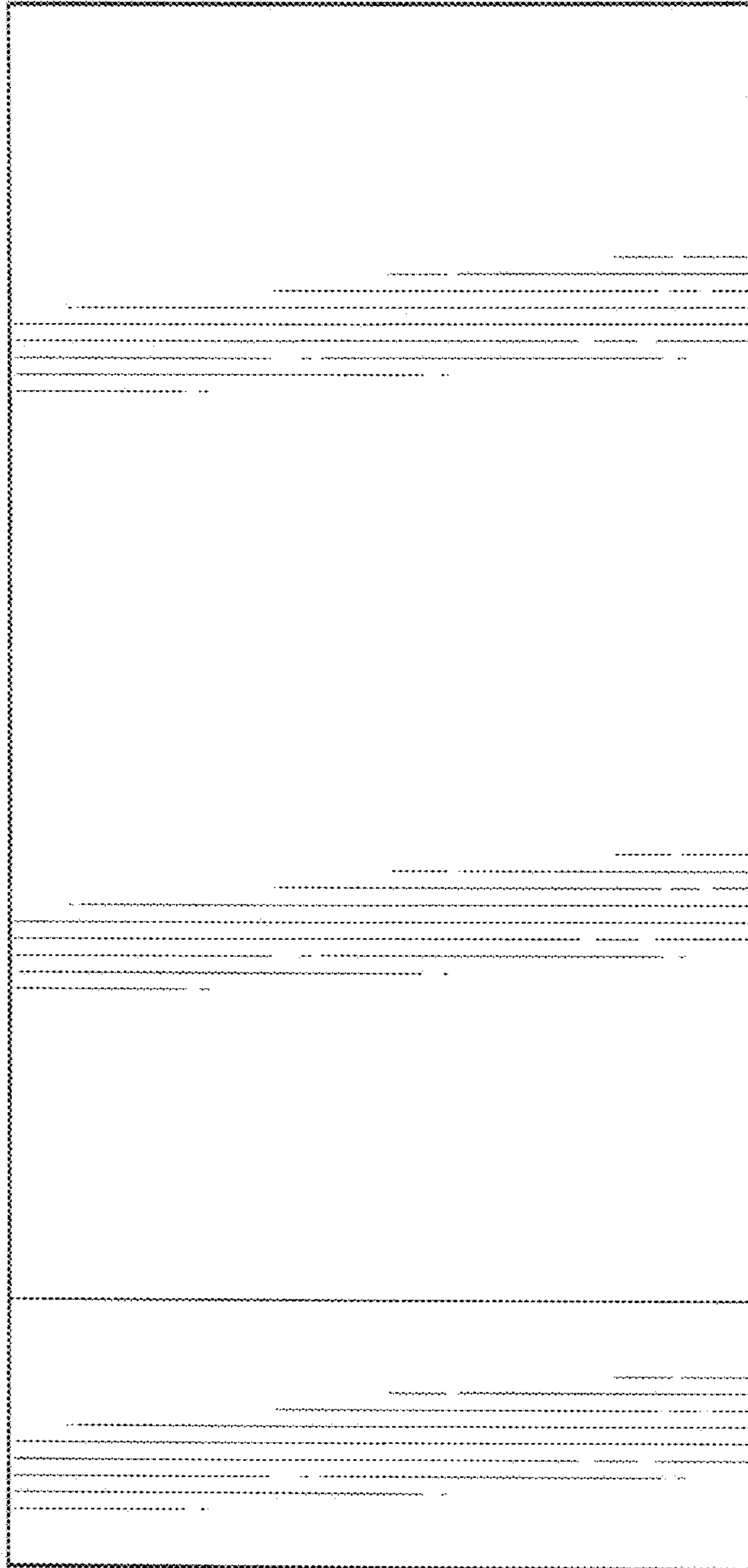


FIG. 3

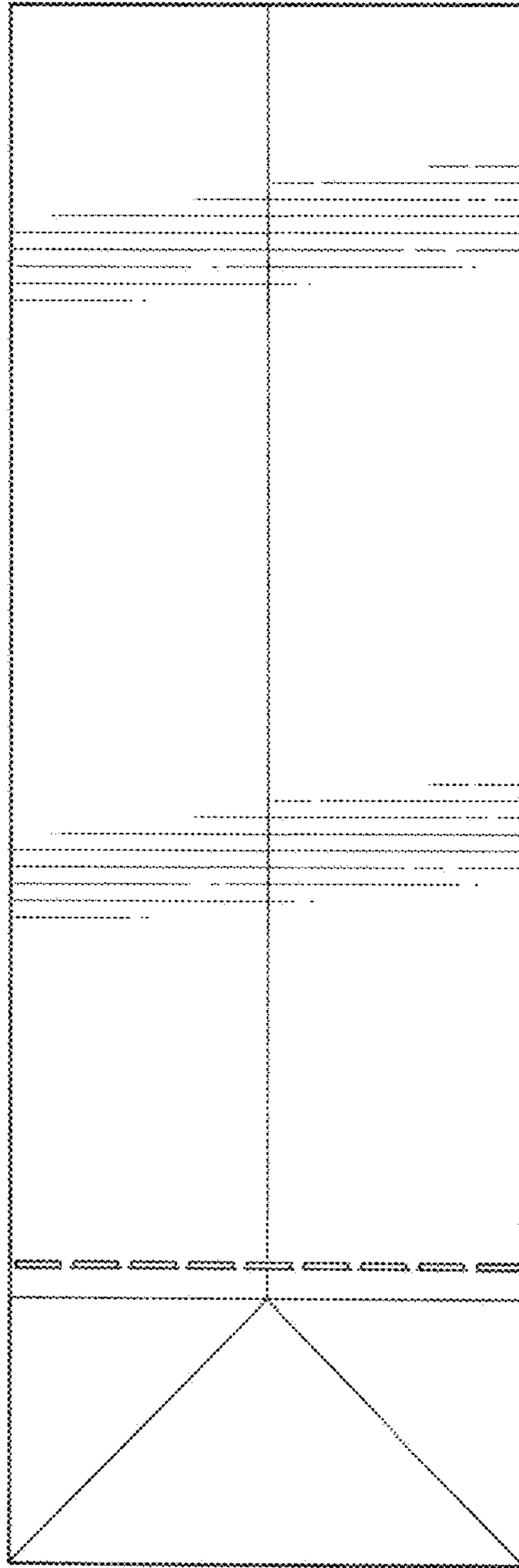


FIG. 4

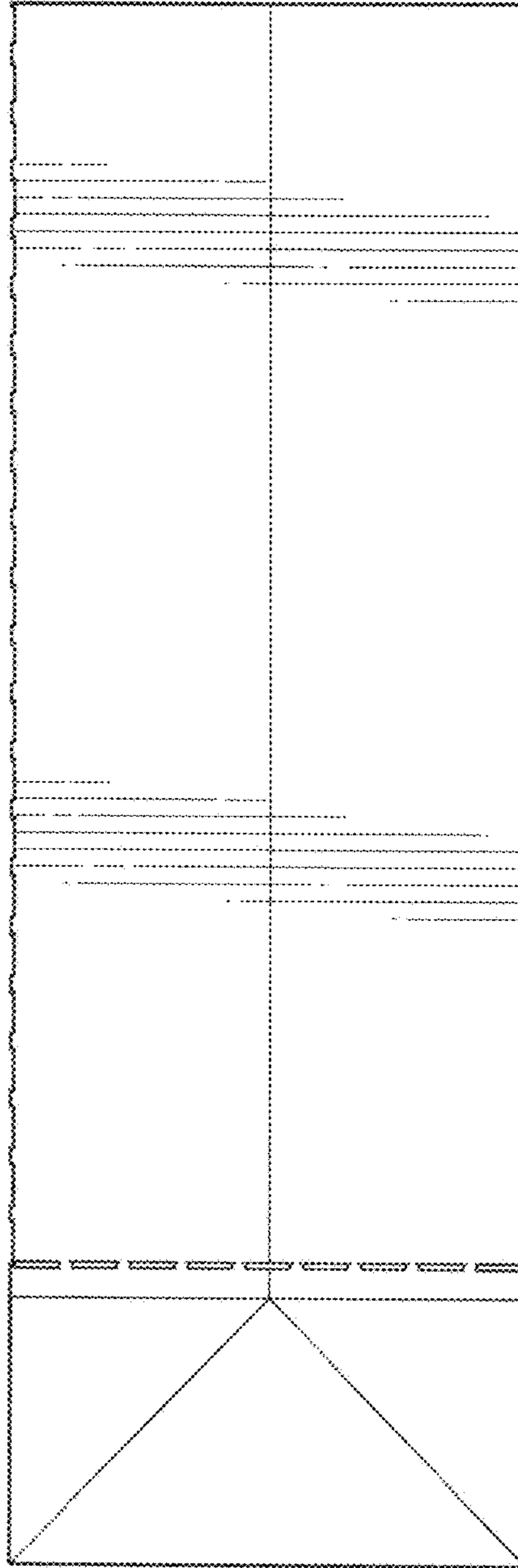


FIG. 5

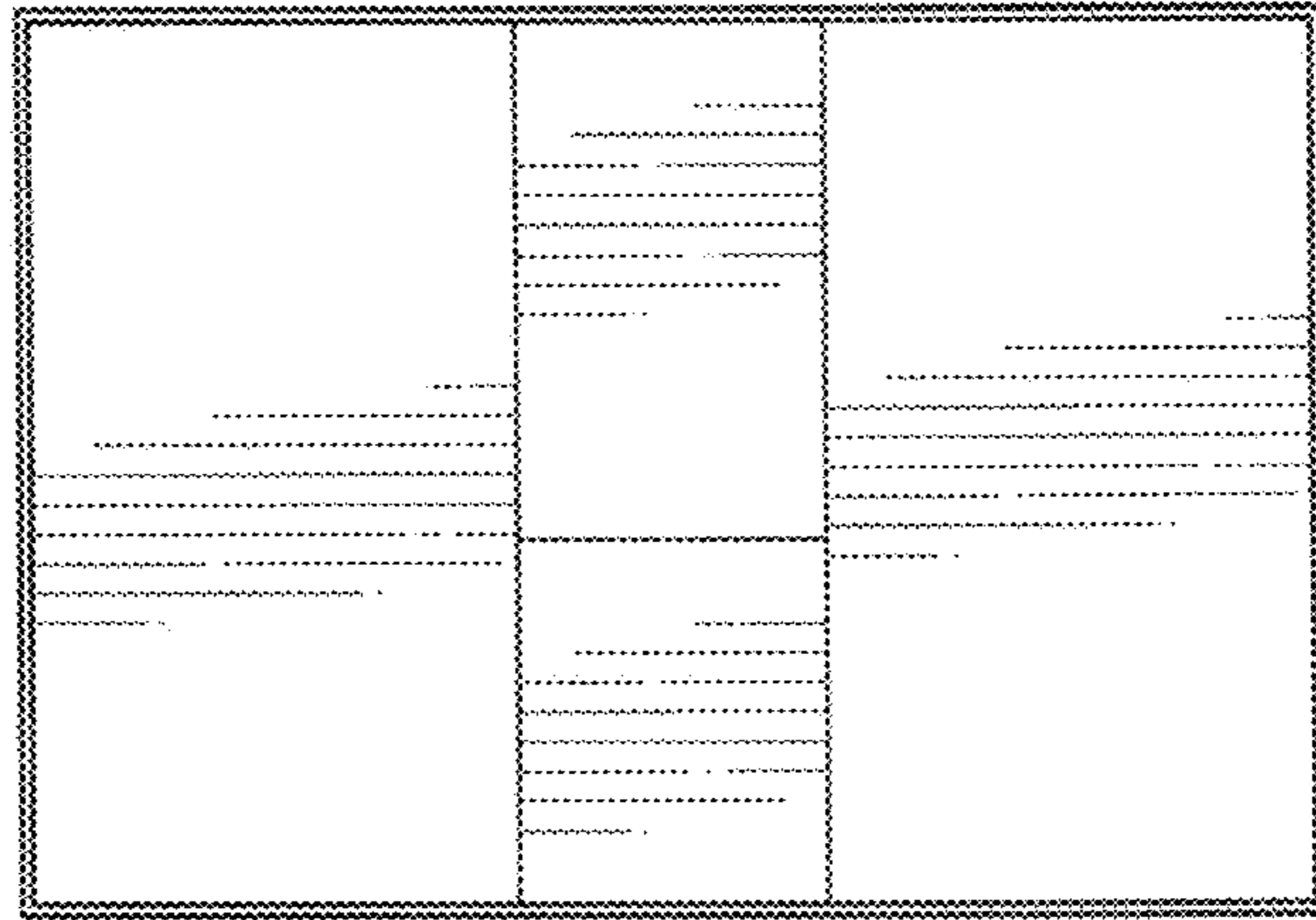


FIG. 6

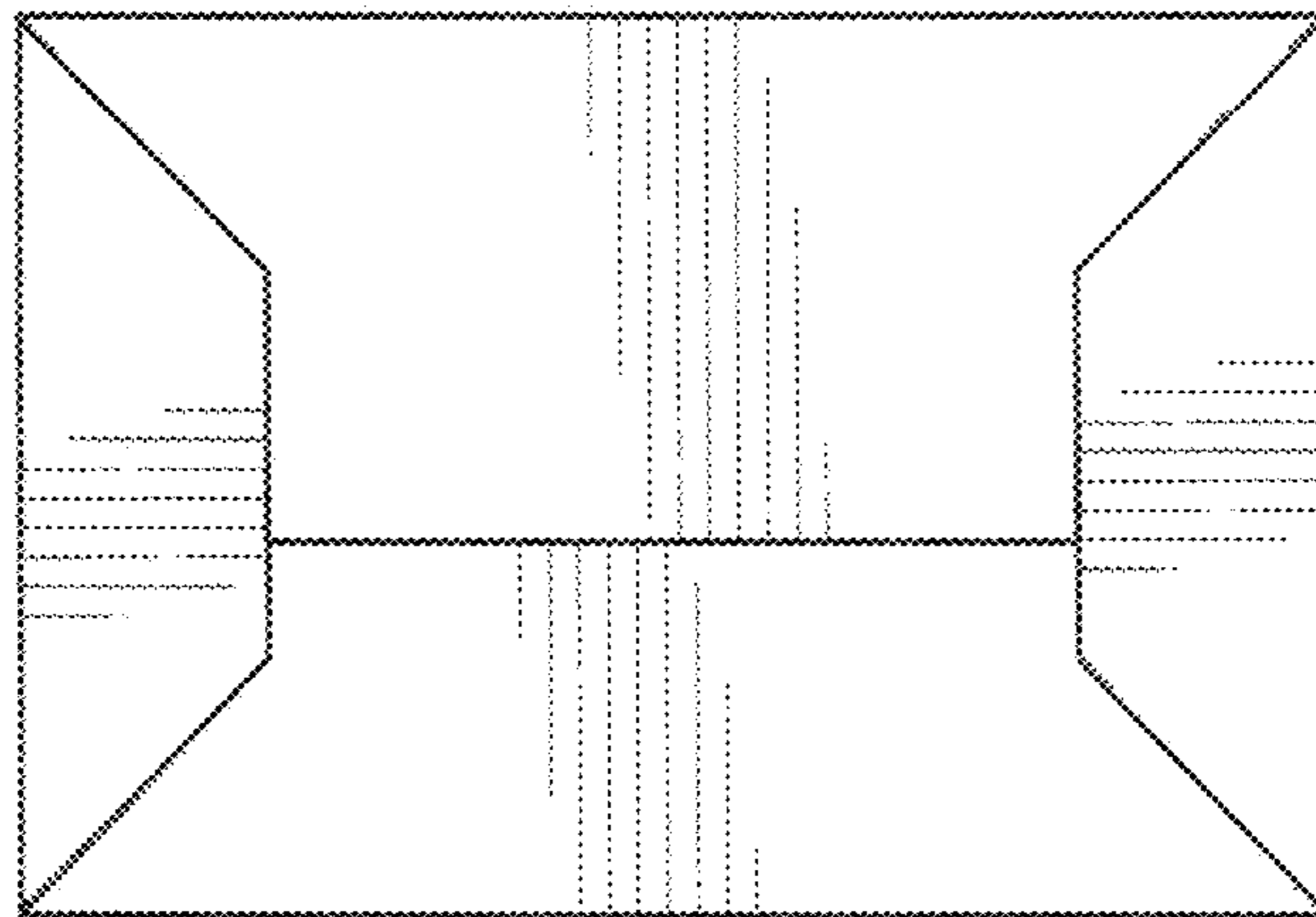


FIG. 7

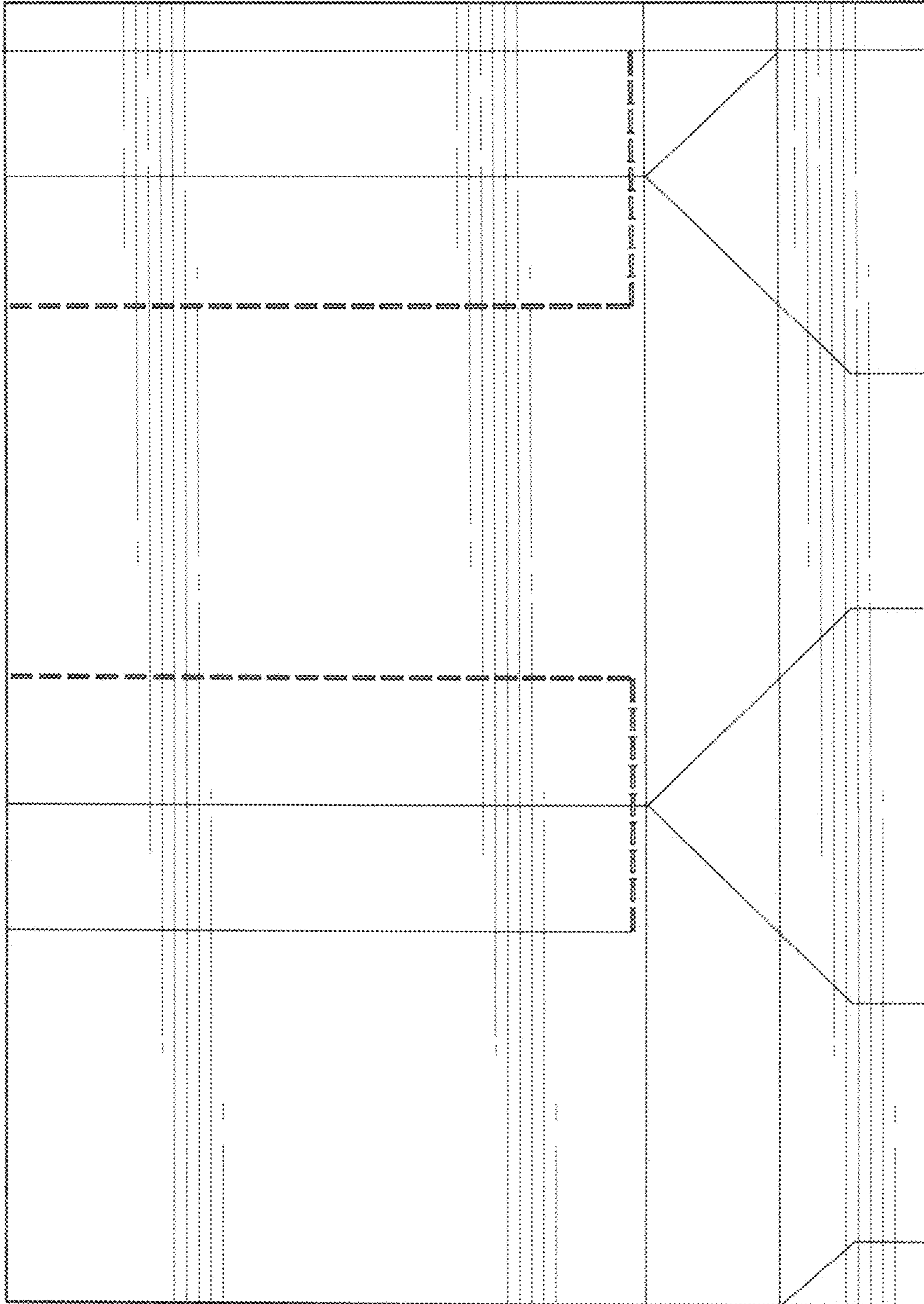


FIG. 8

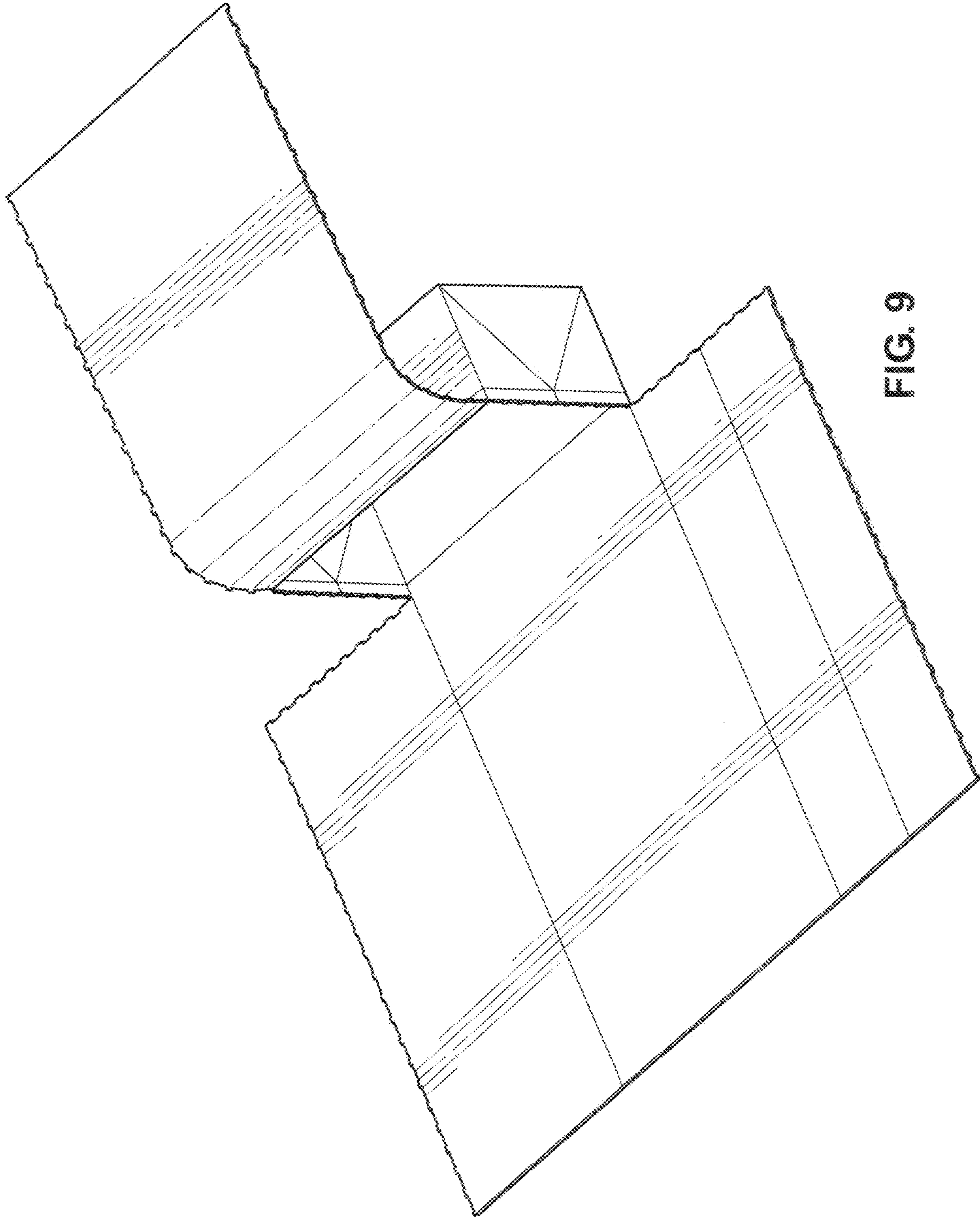


FIG. 9