



US00D981221S

(12) **United States Design Patent** (10) **Patent No.:** **US D981,221 S**  
**Lin** (45) **Date of Patent:** **\*\* Mar. 21, 2023**

(54) **JAR SEALER**

(71) Applicant: **Bin Lin**, Putian (CN)

(72) Inventor: **Bin Lin**, Putian (CN)

(\*\*) Term: **15 Years**

(21) Appl. No.: **29/791,381**

(22) Filed: **Jan. 10, 2022**

(51) **LOC (14) Cl.** ..... **08-08**

(52) **U.S. Cl.**  
USPC ..... **D8/382; D9/436**

(58) **Field of Classification Search**  
USPC ..... D8/354–356, 358, 363–366, 373–379,  
D8/380–388, 391, 393–396, 61, 70–71;  
D6/712; D25/114, 119, 126–127;  
D9/436  
CPC ..... E04G 17/0721; E04G 2017/0646; E04G  
21/1841; E04G 21/1883; B65D 41/02;  
B65D 25/20; B65D 83/40; F16B 7/18;  
F16B 19/008; F16B 21/186; A47F  
5/0823; A47F 5/0853; A47F 5/0869;  
E04C 5/18; E04C 5/168; E04C 5/20;  
E04C 2/384; E04C 2002/047; E04C  
2003/026; E04C 5/203

See application file for complete search history.

(56) **References Cited**

**U.S. PATENT DOCUMENTS**

D95,069 S \* 4/1935 Richter ..... D8/375  
D353,090 S \* 12/1994 Wright ..... D8/375  
D534,061 S \* 12/2006 Sakai ..... D8/388  
D599,192 S \* 9/2009 Andren ..... D8/354  
D623,045 S \* 9/2010 Moncade ..... D8/354  
D658,478 S \* 5/2012 Wall ..... D8/399  
D751,887 S 3/2016 Vanlerberghe et al.  
D760,077 S \* 6/2016 Rye ..... D9/436  
D792,195 S \* 7/2017 Carpinella ..... D8/354

D879,591 S \* 3/2020 Weirnerman ..... D8/354  
D880,280 S \* 4/2020 Weirnerman ..... D8/354  
D880,840 S 4/2020 Gellineau  
D892,598 S \* 8/2020 Gebhardt ..... D8/349  
D906,792 S \* 1/2021 Tsai ..... D8/375  
D923,463 S \* 6/2021 Krauss ..... D8/375  
D948,316 S \* 4/2022 Livingston, Jr. .... B25H 1/04  
D8/382  
2018/0251355 A1 \* 9/2018 Alipour ..... B67B 7/20

**OTHER PUBLICATIONS**

UUY Jar Sealer for Foodsaver Vacuum Sealer, Date Visited: Oct. 18, 2022, Amazon, Date Available: Feb. 22, 2022, <https://www.amazon.com/dp/B09T3C5F7W> (Year: 2022).\*

\* cited by examiner

*Primary Examiner* — Karen S Acker  
*Assistant Examiner* — Elizabeth S Ko  
(74) *Attorney, Agent, or Firm* — Daniel M. Cohn;  
Howard M. Cohn

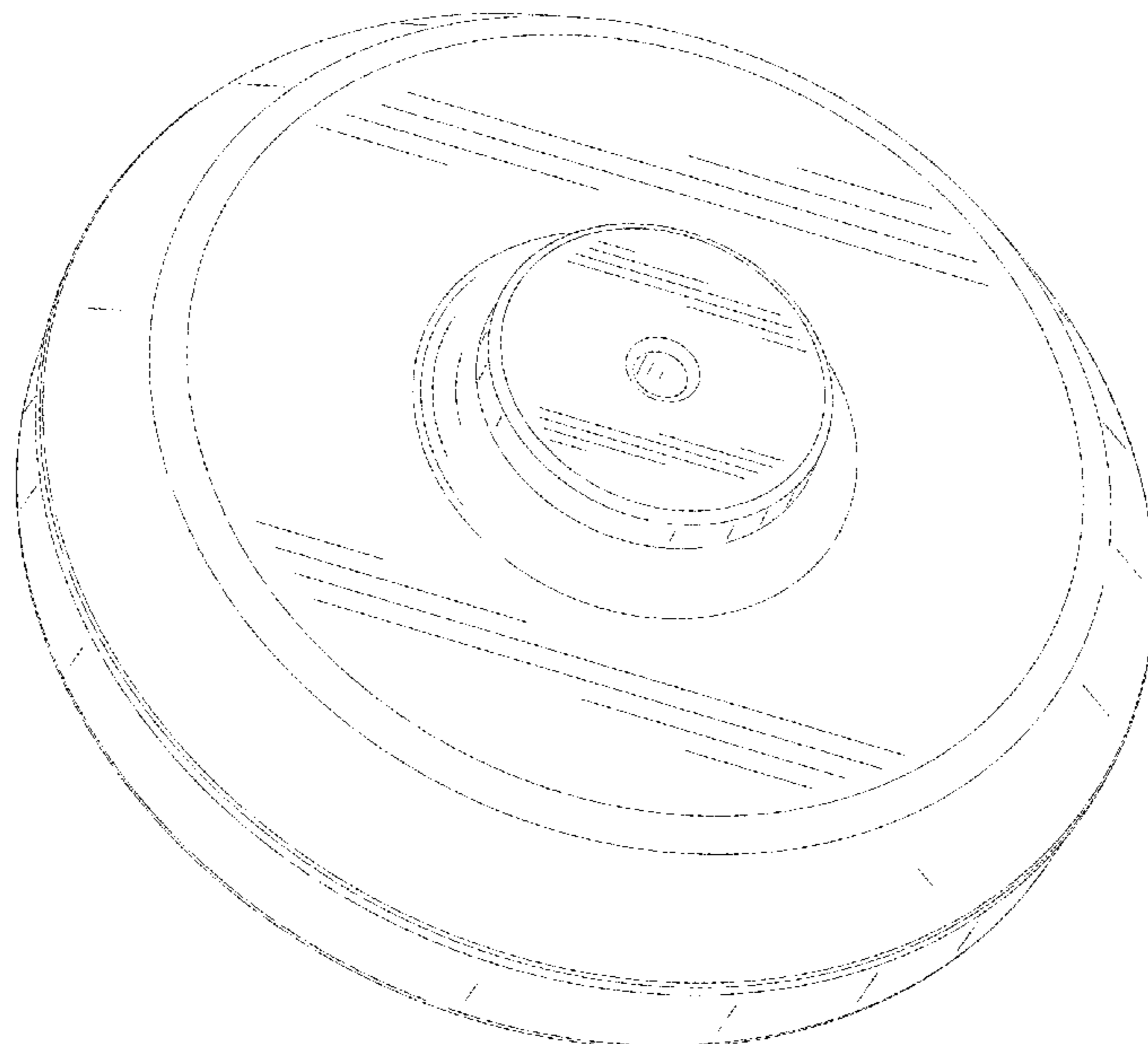
(57) **CLAIM**

The ornamental design for a jar sealer, as shown and described.

**DESCRIPTION**

FIG. 1 is a perspective view of a jar sealer showing my new design;  
FIG. 2 is another perspective view thereof;  
FIG. 3 is another perspective view thereof;  
FIG. 4 is a front elevational view thereof;  
FIG. 5 is a rear elevational view thereof;  
FIG. 6 is a left side elevational view thereof;  
FIG. 7 is a right side elevational view thereof;  
FIG. 8 is a top plan view thereof; and,  
FIG. 9 is a bottom plan view thereof.

**1 Claim, 9 Drawing Sheets**



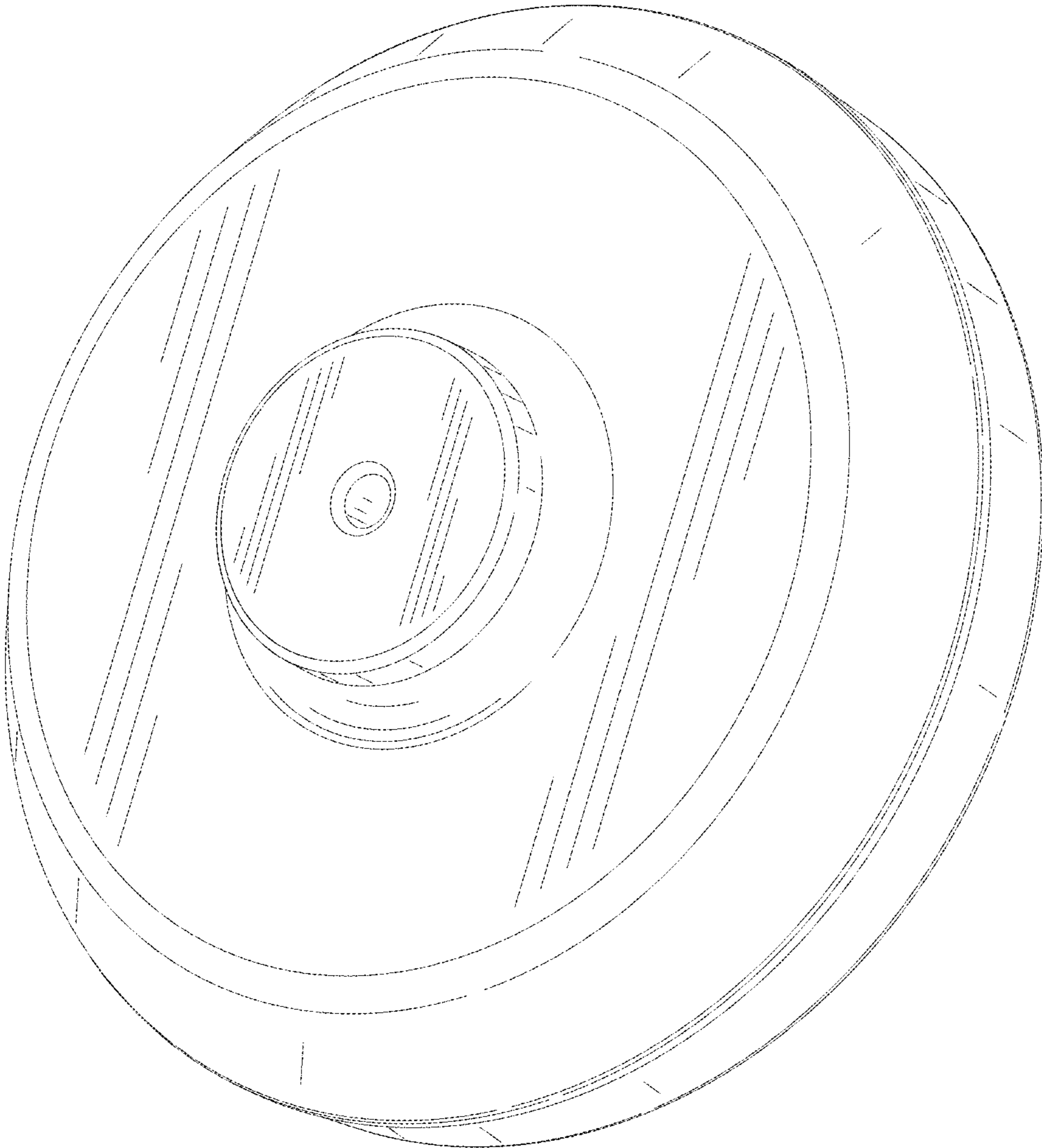


FIG. 1

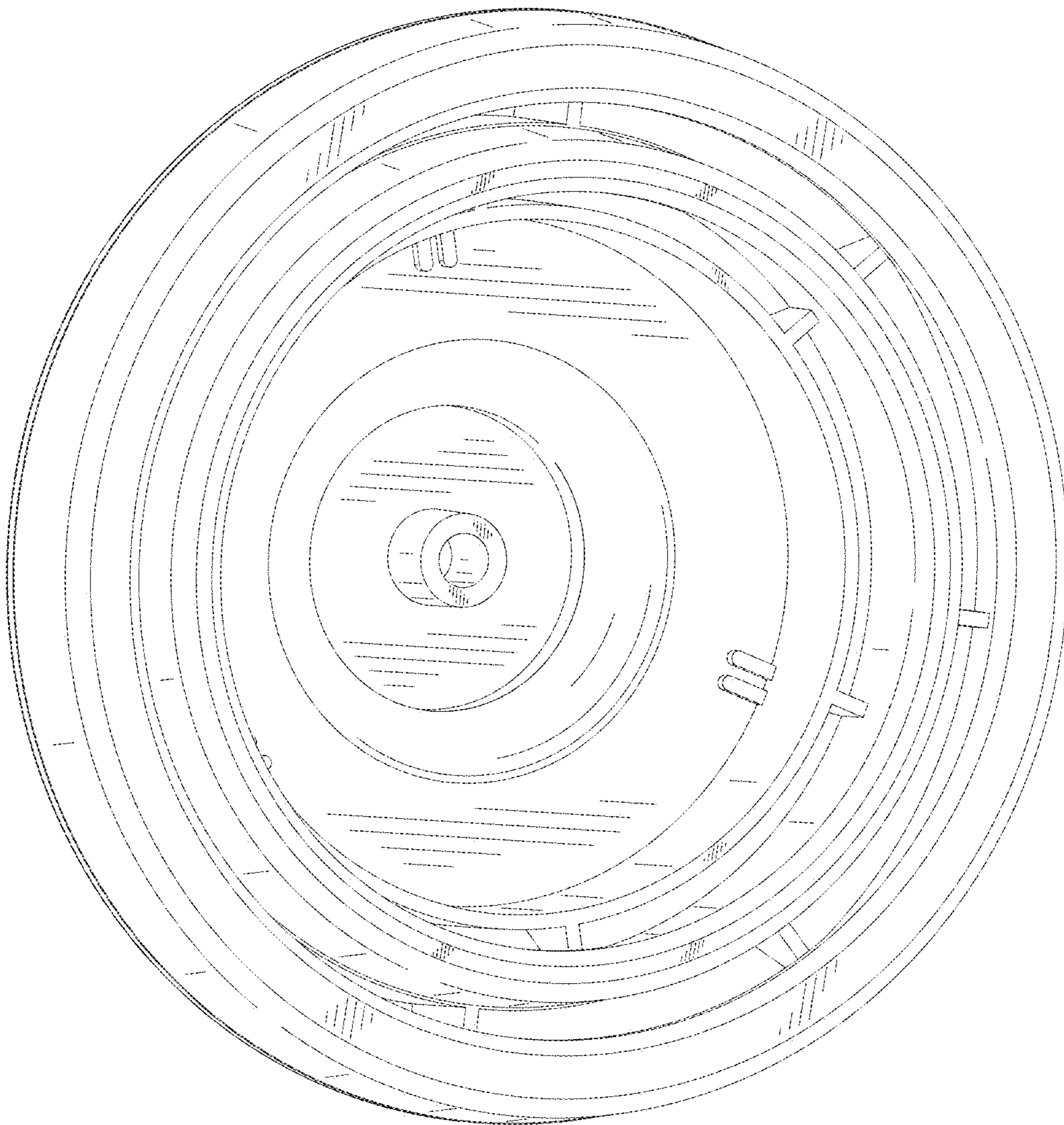


FIG. 2

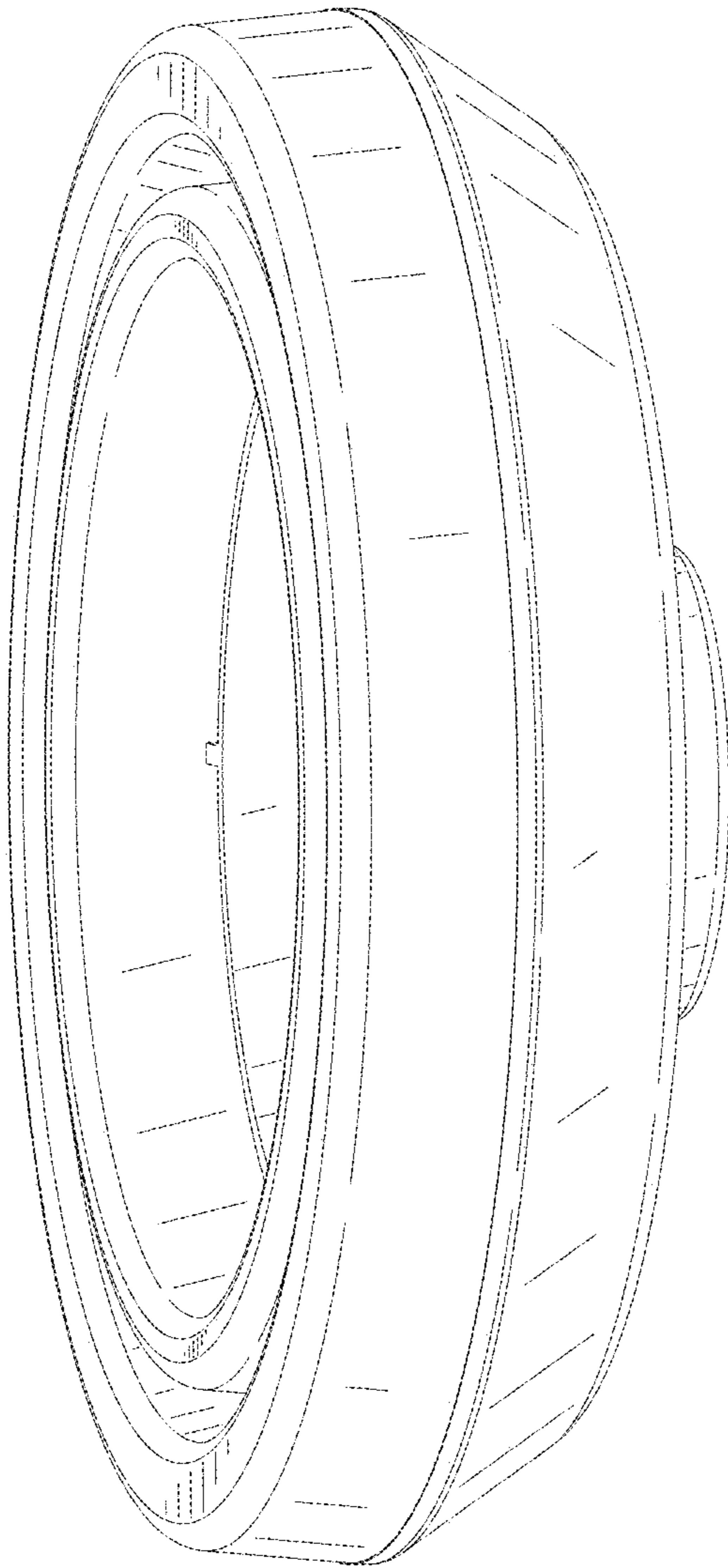


FIG. 3

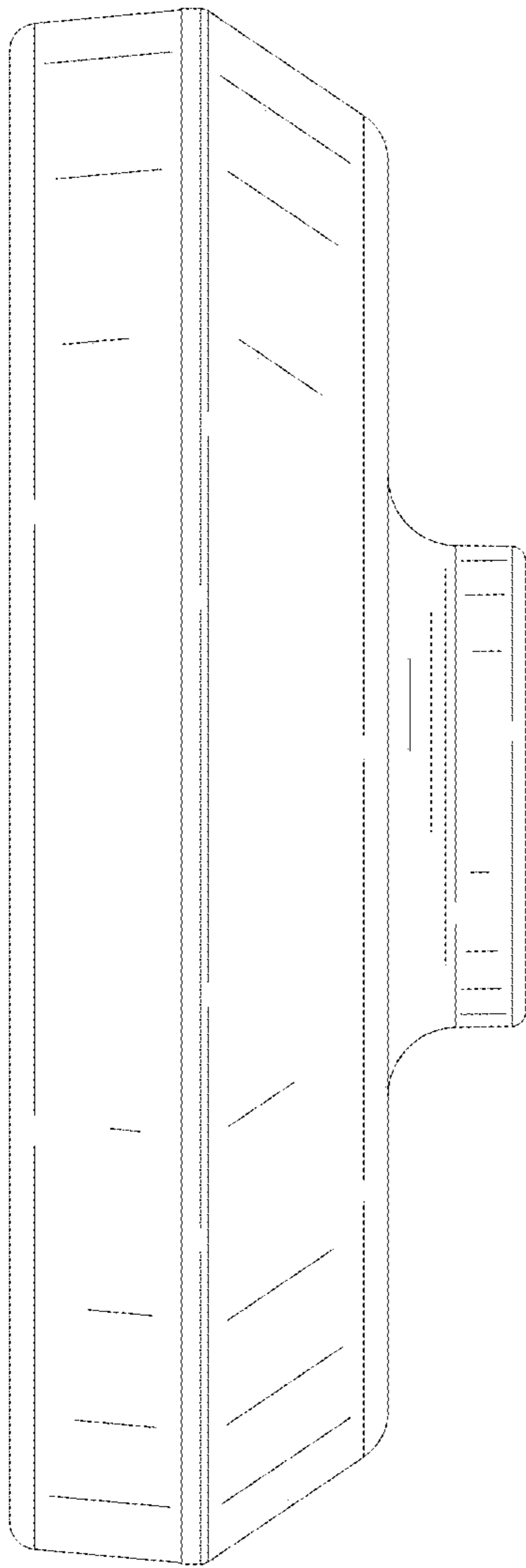


FIG. 4

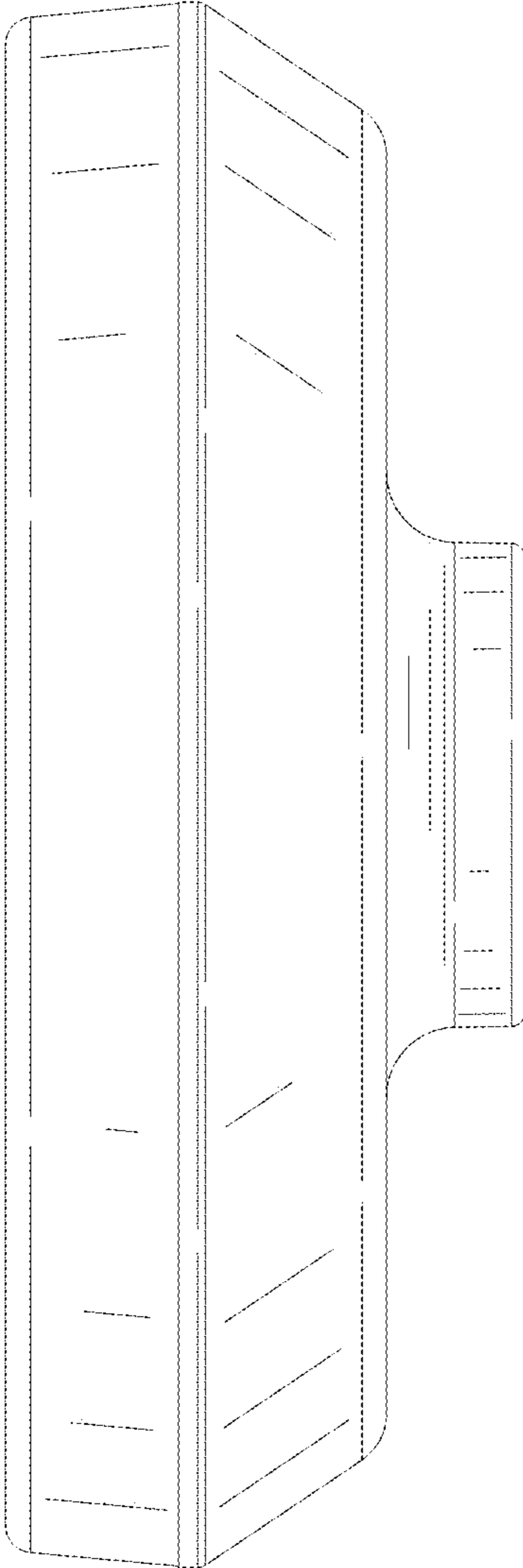


FIG. 5

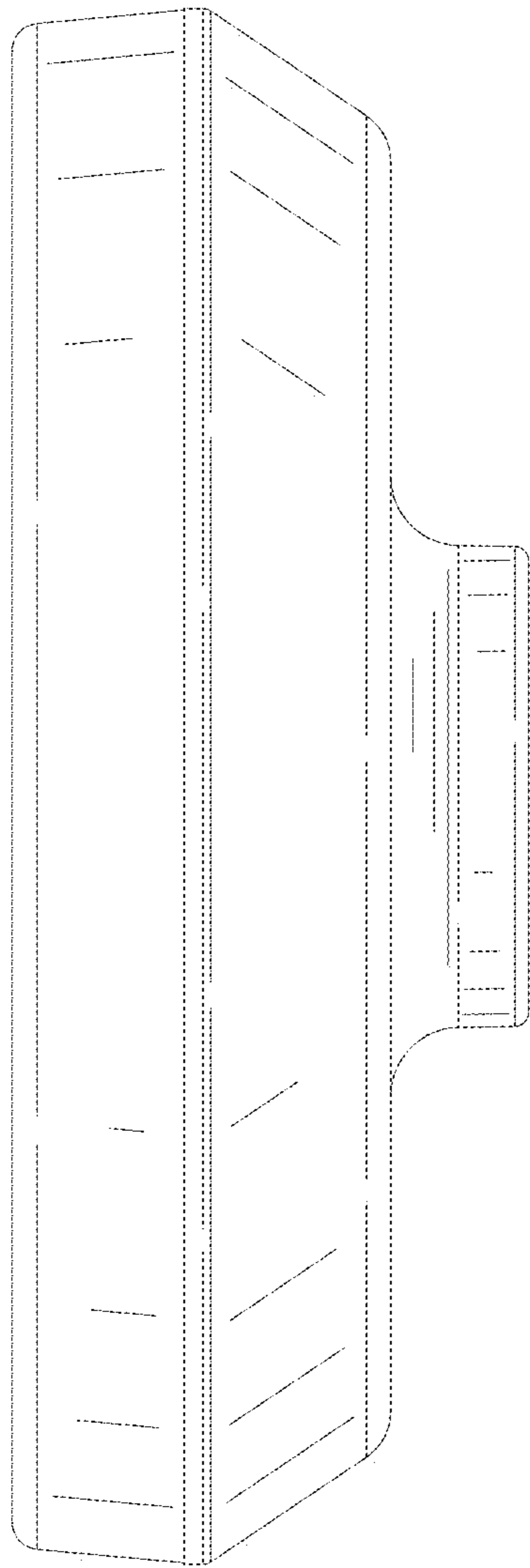


FIG. 6

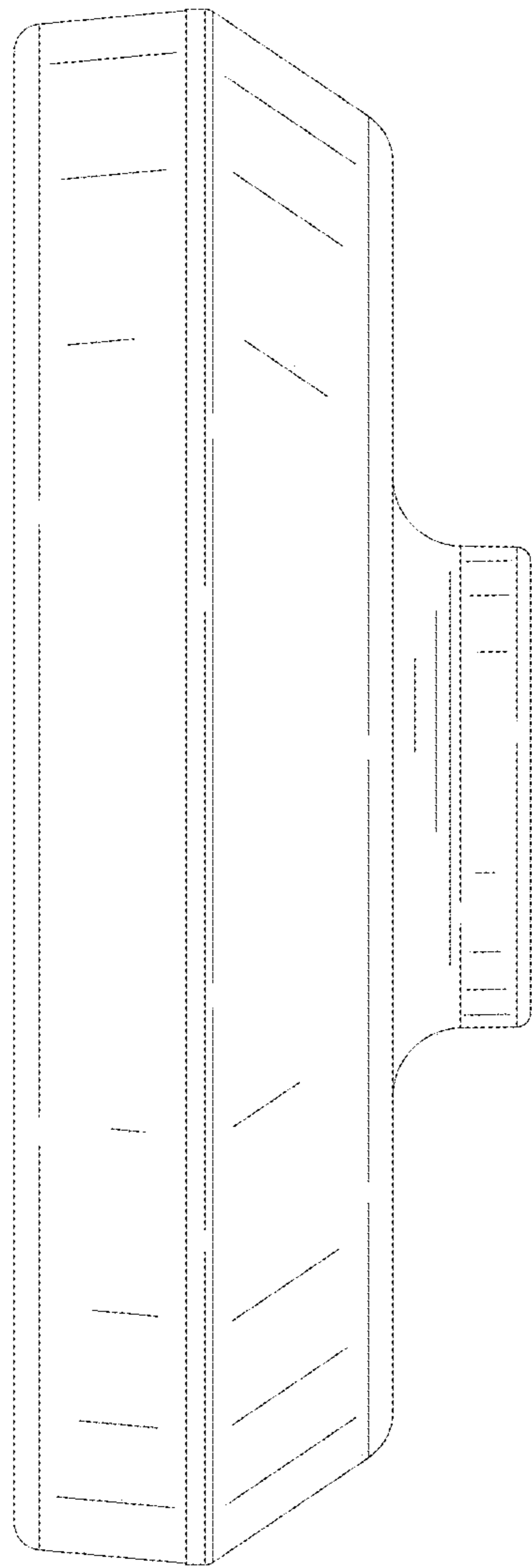


FIG. 7



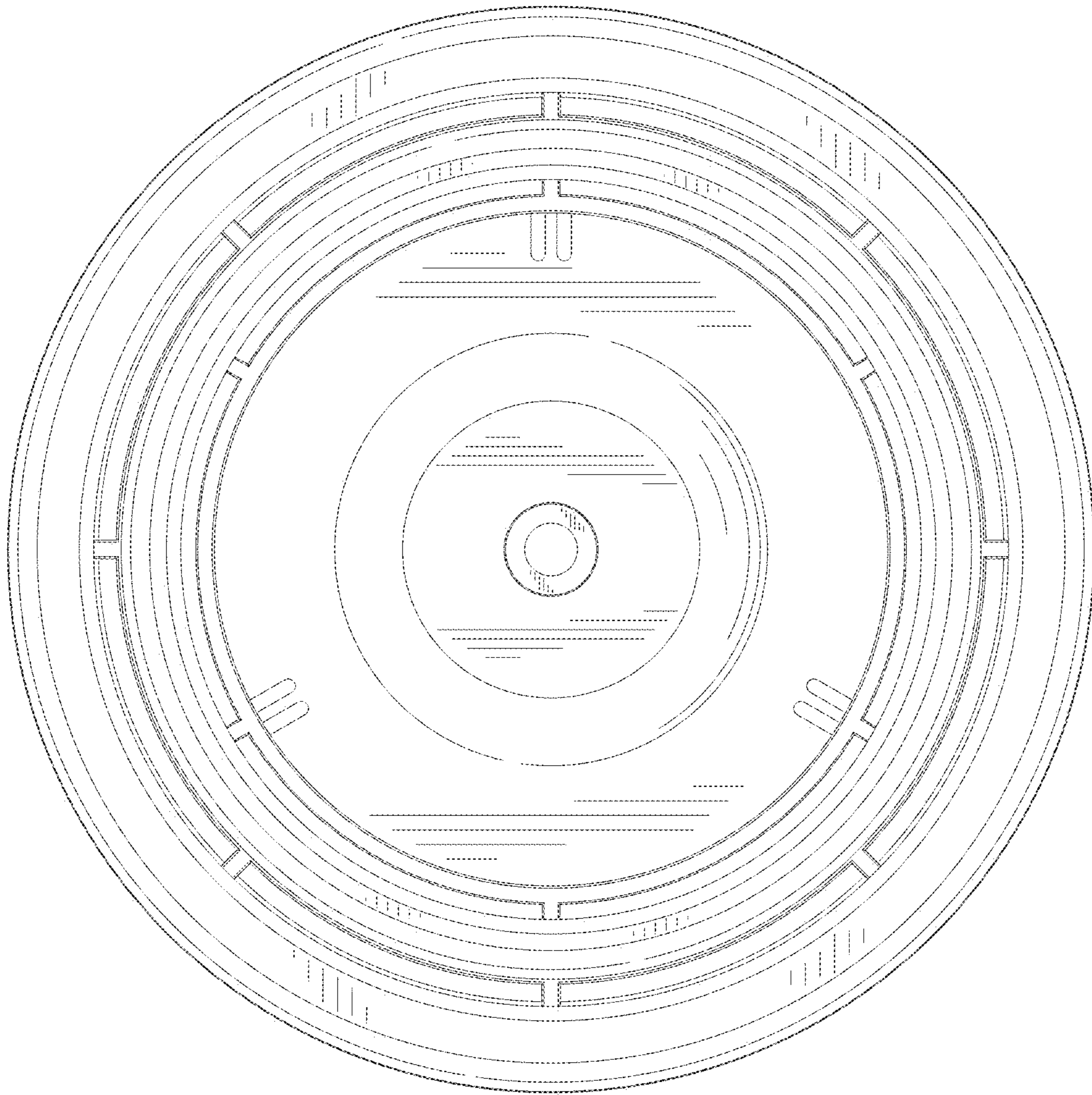


FIG. 8

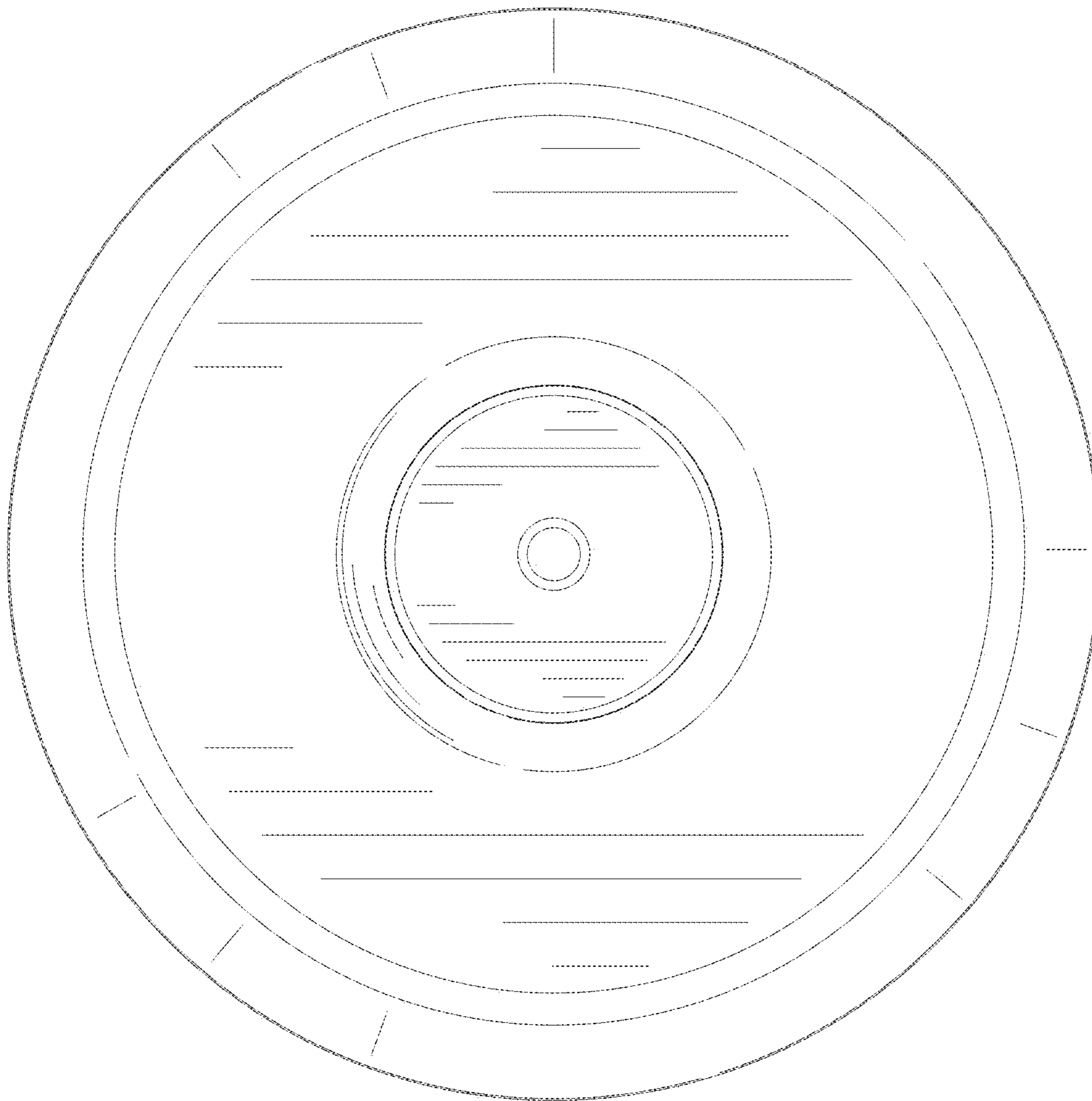


FIG. 9