



US00D981220S

(12) **United States Design Patent** (10) **Patent No.:** **US D981,220 S**  
**Lu** (45) **Date of Patent:** **\*\* Mar. 21, 2023**

- (54) **CURTAIN ROD**
- (71) Applicant: **Jiangsu Mingqian Intellectual Property Co., Ltd., Wuxi (CN)**
- (72) Inventor: **Guoqing Lu, Wuxi (CN)**
- (73) Assignee: **Jiangsu Mingqian Intellectual Property Co., Ltd., Wuxi (CN)**
- (\*\*) Term: **15 Years**
- (21) Appl. No.: **29/850,605**
- (22) Filed: **Aug. 22, 2022**
- (51) **LOC (14) Cl.** ..... **08-03**
- (52) **U.S. Cl.**  
USPC ..... **D8/376**
- (58) **Field of Classification Search**  
USPC ..... D8/354, 16-17, 19, 37, 47, 71, 89, 101, D8/363, 373, 376-377, 390-391, 404, D8/512, 524, 528, 534, 67; D6/512, 524, D6/528, 534, 67; D25/119, 122, 123; D12/190, 195, 678, 679, 701, 808, 803  
See application file for complete search history.

- (56) **References Cited**  
U.S. PATENT DOCUMENTS  
D186,363 S \* 10/1959 Armento ..... D25/132  
3,038,688 A \* 6/1962 Thorburn ..... A47G 33/12  
248/524  
D203,392 S \* 1/1966 Dahlhaus et al. .... D8/376  
D206,003 S \* 10/1966 Graber et al. .... D8/376  
D273,544 S \* 4/1984 Sheftel ..... D6/323

D303,742 S *	10/1989	Reid	.....	D6/709.21
D303,887 S *	10/1989	Reid	.....	D6/709.21
D314,681 S *	2/1991	Reid	.....	D6/709.21
D327,421 S *	6/1992	Pagan	.....	248/188.9
D520,348 S *	5/2006	Poulet	.....	D8/376
D522,847 S *	6/2006	Suero, Jr.	.....	D8/376
D525,115 S *	7/2006	Harwanko	.....	D8/376
D549,085 S *	8/2007	Mevisen	.....	D8/376
D684,454 S *	6/2013	Sutherland et al.	.....	
D793,734 S *	8/2017	Liang	.....	D8/376
D867,864 S *	11/2019	Haruta	.....	D8/376
D953,852 S *	6/2022	Sun	.....	D8/376

\* cited by examiner

*Primary Examiner* — Khawaja Anwar  
(74) *Attorney, Agent, or Firm* — ScienBiziP, P.C.

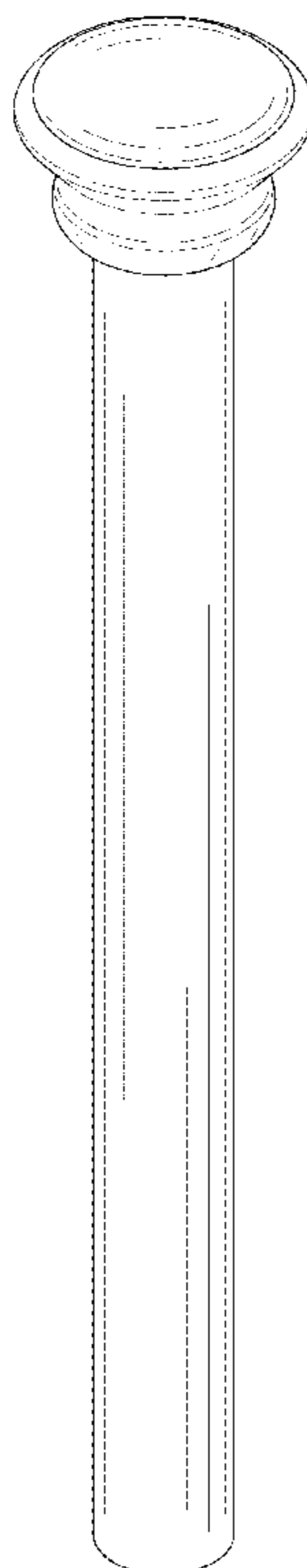
(57) **CLAIM**

The ornamental design for a curtain rod, as shown and described.

**DESCRIPTION**

FIG. 1 is a top perspective view of a curtain rod, showing my design.  
FIG. 2 is a bottom perspective view thereof.  
FIG. 3 is a front elevation view thereof.  
FIG. 4 is a rear elevation view thereof.  
FIG. 5 is a left side elevation view thereof.  
FIG. 6 is a right side elevation view thereof.  
FIG. 7 is a top plan view thereof; and,  
FIG. 8 is a bottom plan view thereof.  
The broken lines shown in the drawings are included for the purpose of illustrating portions of the curtain rod that form no part of the claimed design.

**1 Claim, 8 Drawing Sheets**



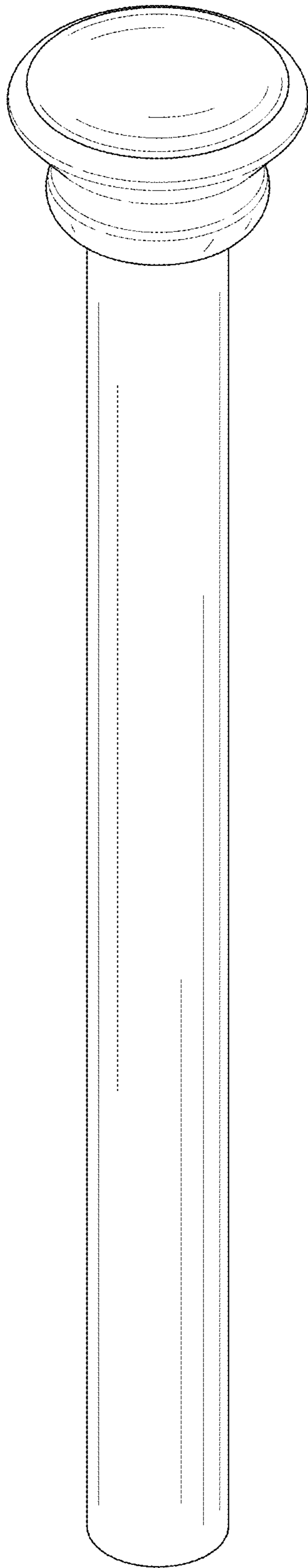


FIG. 1

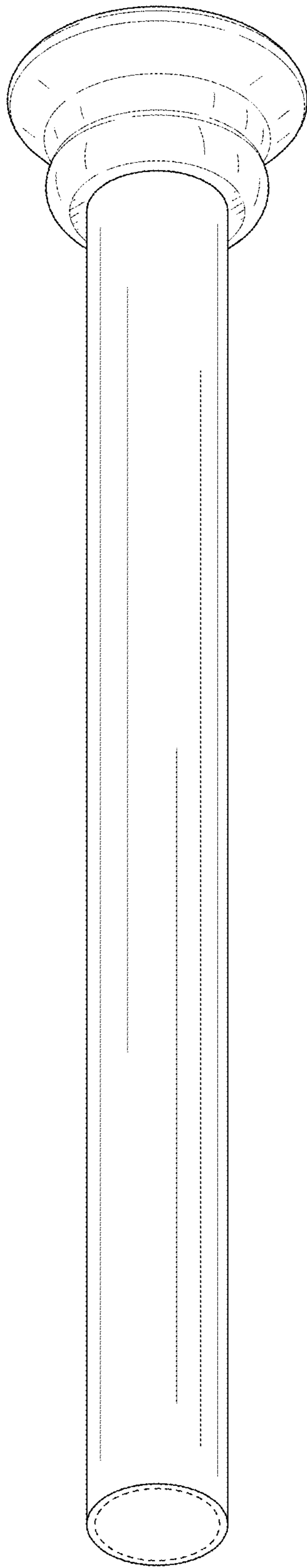


FIG. 2

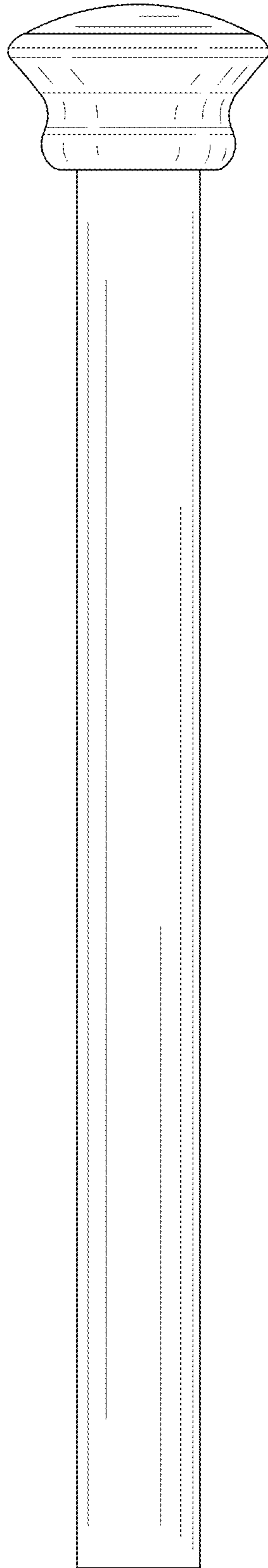


FIG. 3

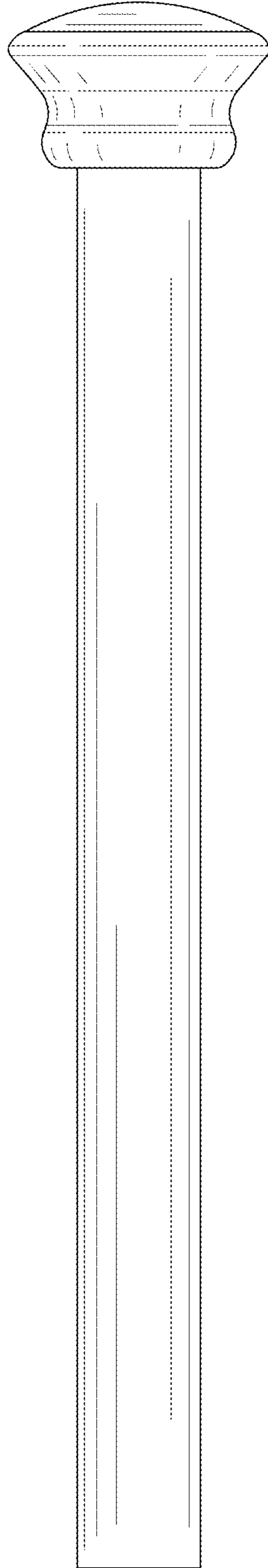


FIG. 4

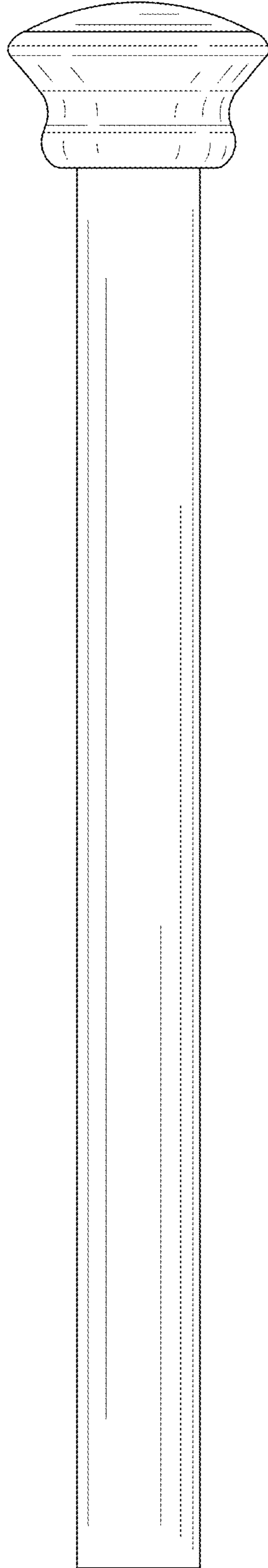


FIG. 5

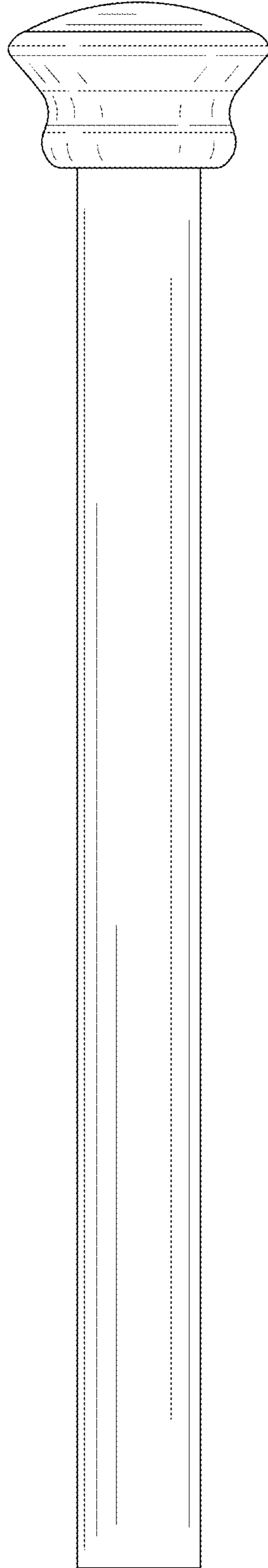


FIG. 6

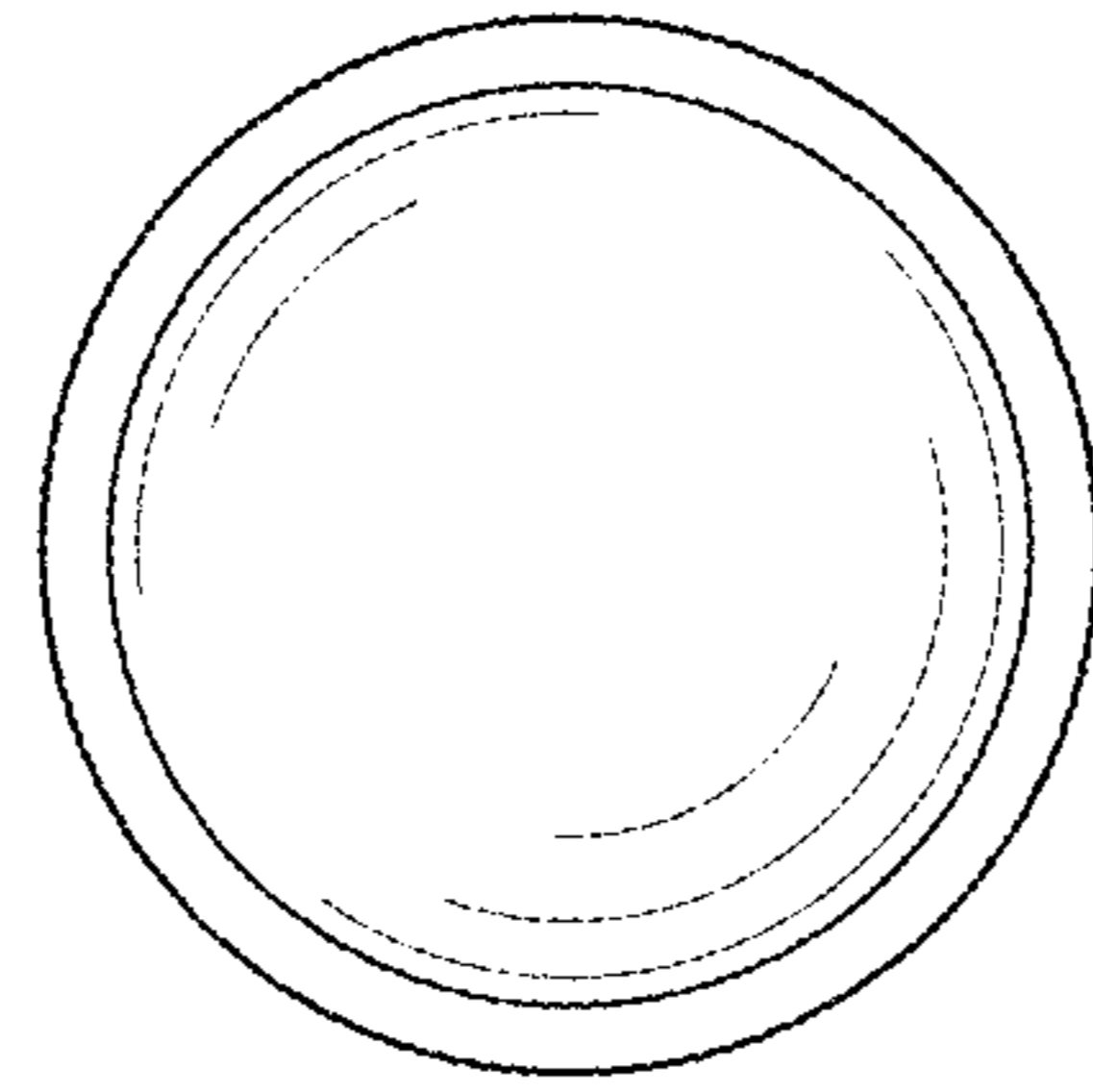


FIG. 7



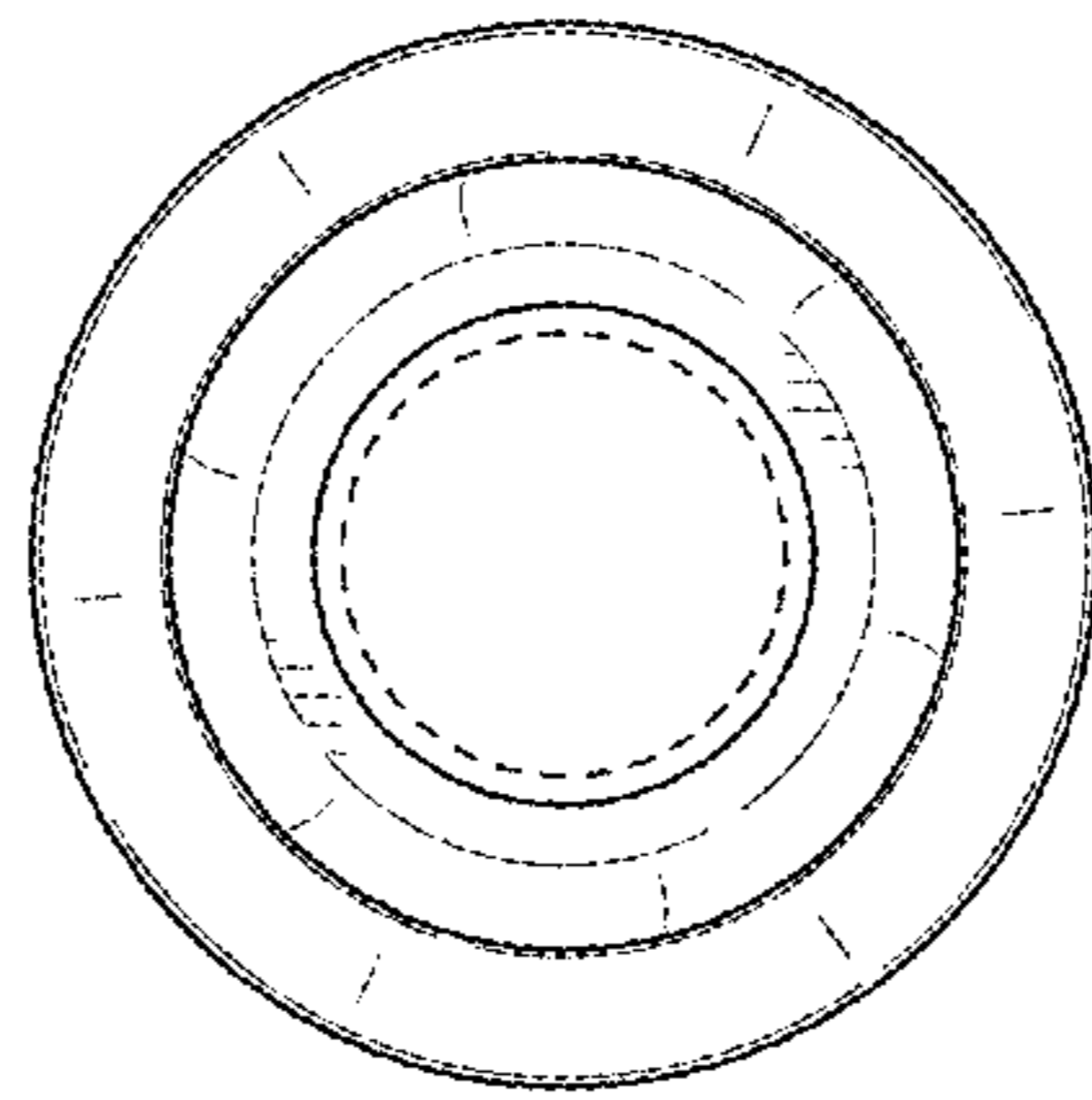


FIG. 8