



US00D981219S

(12) **United States Design Patent**  
**Lin**

(10) **Patent No.:** **US D981,219 S**  
(45) **Date of Patent:** **\*\* Mar. 21, 2023**

(54) **CHAIR LEG COVER**

(71) Applicant: **Yudong Lin**, Jieyang (CN)

(72) Inventor: **Yudong Lin**, Jieyang (CN)

(\*\*) Term: **15 Years**

(21) Appl. No.: **29/796,328**

(22) Filed: **Jun. 23, 2021**

(51) **LOC (14) Cl.** ..... **08-03**

(52) **U.S. Cl.**  
USPC ..... **D8/374**

(58) **Field of Classification Search**  
USPC ..... D8/374, 363, 366, 373, 376, 380, 381  
See application file for complete search history.

(56) **References Cited**

U.S. PATENT DOCUMENTS

- 3,505,724 A \* 4/1970 Sator ..... A47B 91/06  
29/469
- D488,711 S 4/2004 Heisey
- D513,583 S \* 1/2006 Chase ..... D8/374
- D617,631 S \* 6/2010 Bushey ..... D8/374
- D650,262 S \* 12/2011 Hinkle, III ..... D8/374

- D799,215 S \* 10/2017 Pacha ..... D8/374
- D814,581 S \* 4/2018 Norcross ..... D30/129
- D862,212 S \* 10/2019 Moriarty ..... D8/374
- D931,092 S \* 9/2021 Tu ..... D8/374
- D941,130 S \* 1/2022 Wendling ..... D8/374

\* cited by examiner

*Primary Examiner* — Khawaja Anwar

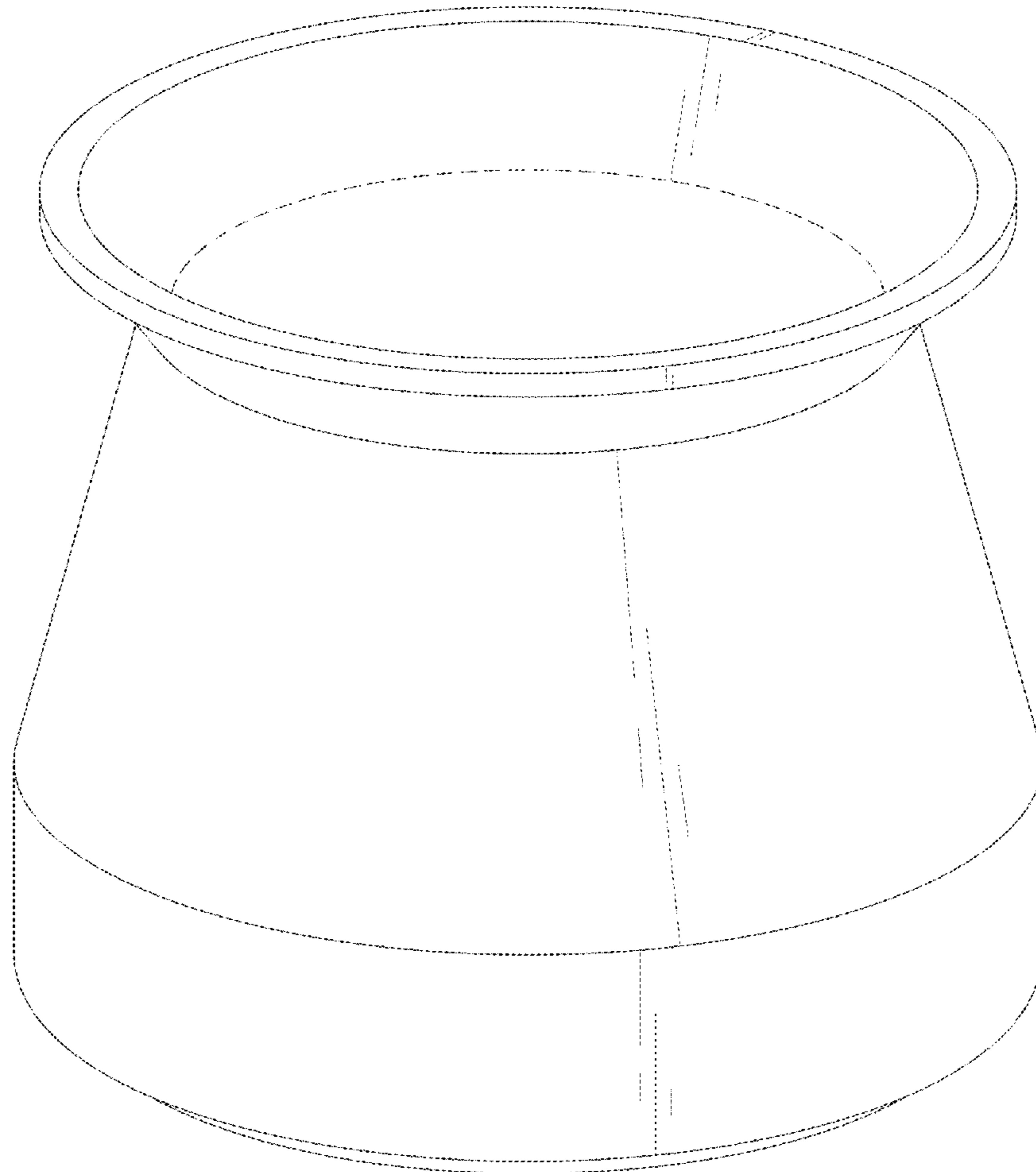
(57) **CLAIM**

The ornamental design for a chair leg cover, as shown and described.

**DESCRIPTION**

FIG. 1 is a perspective view of a chair leg cover showing the claimed design;  
 FIG. 2 is a top plan view thereof;  
 FIG. 3 is a left side view thereof;  
 FIG. 4 is a front elevational view thereof;  
 FIG. 5 is a right side view thereof;  
 FIG. 6 is a rear elevational view thereof; and,  
 FIG. 7 is a bottom plan view thereof.  
 The broken lines in the figures illustrate portions of the chair leg cover that form no part of the claimed design.

**1 Claim, 7 Drawing Sheets**



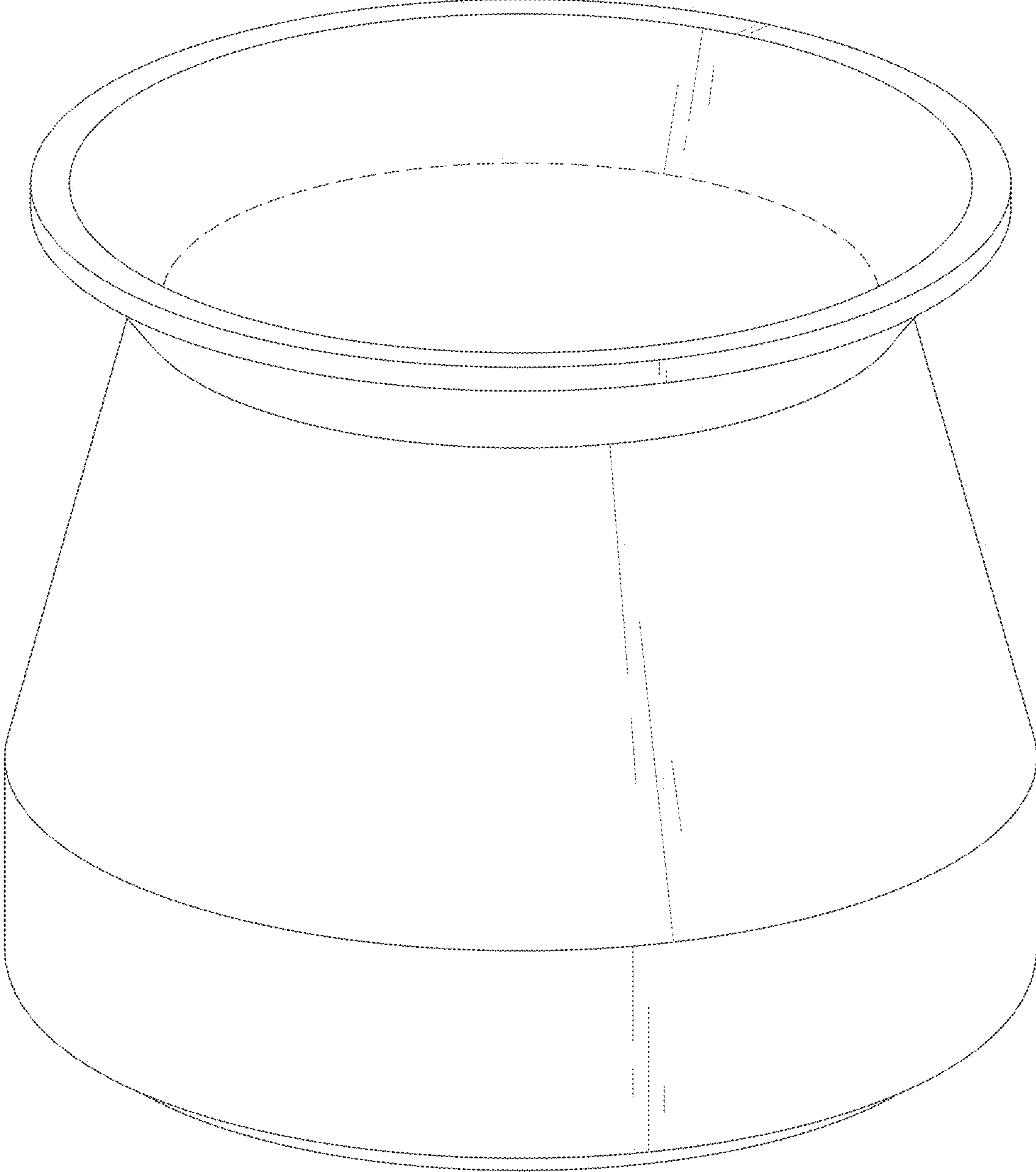


FIG. 1

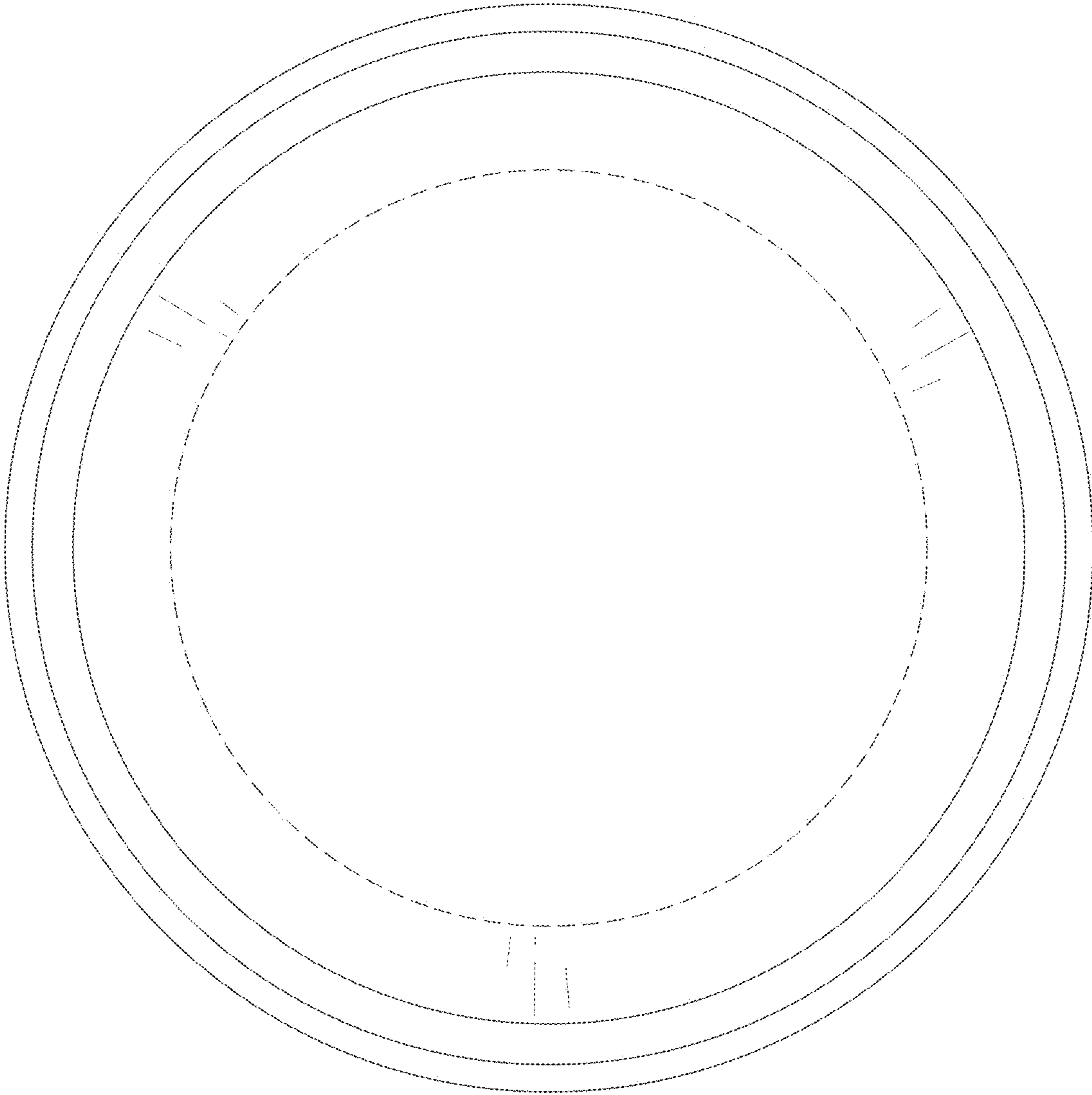


FIG. 2

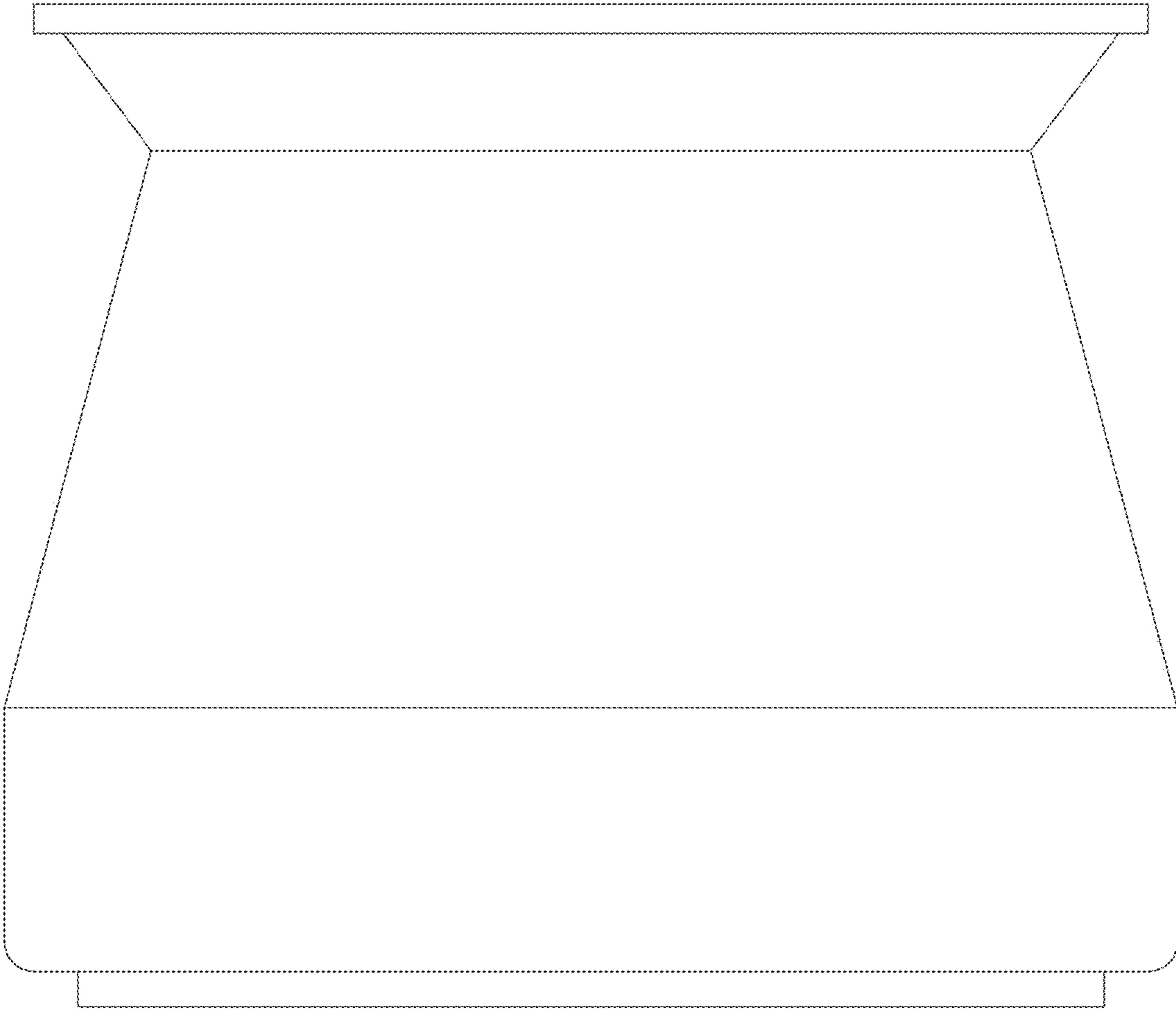


FIG. 3

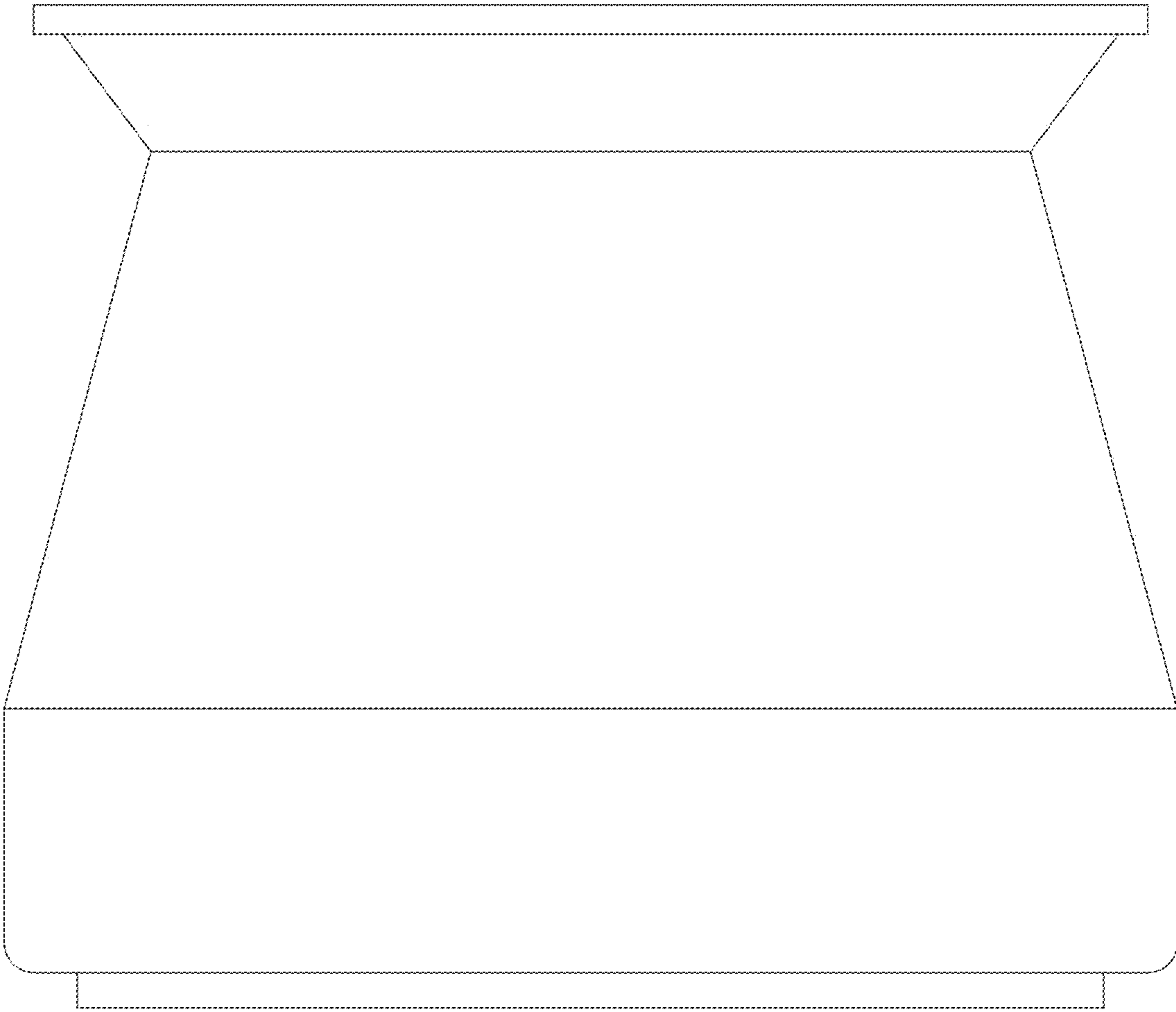


FIG. 4

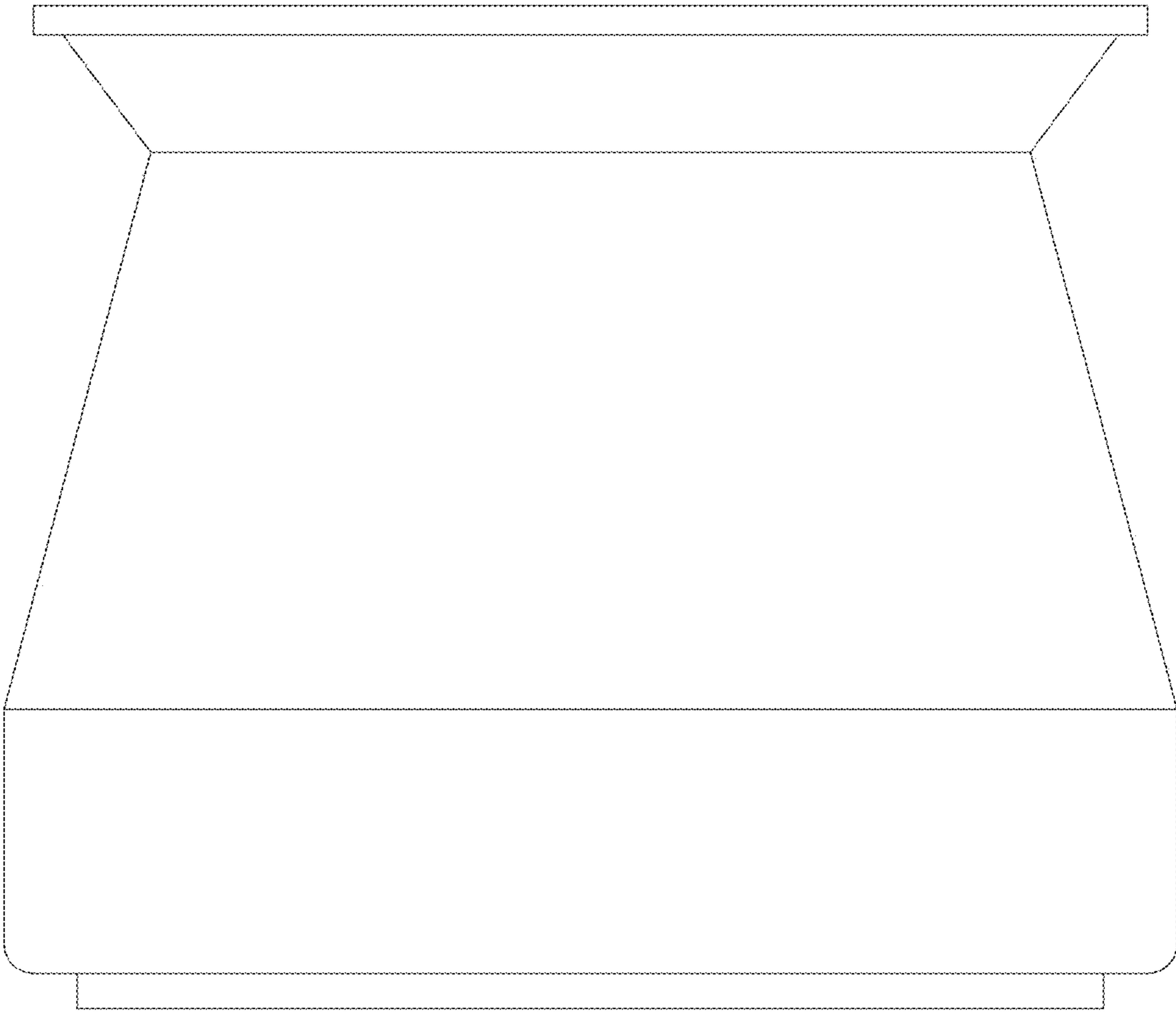


FIG. 5

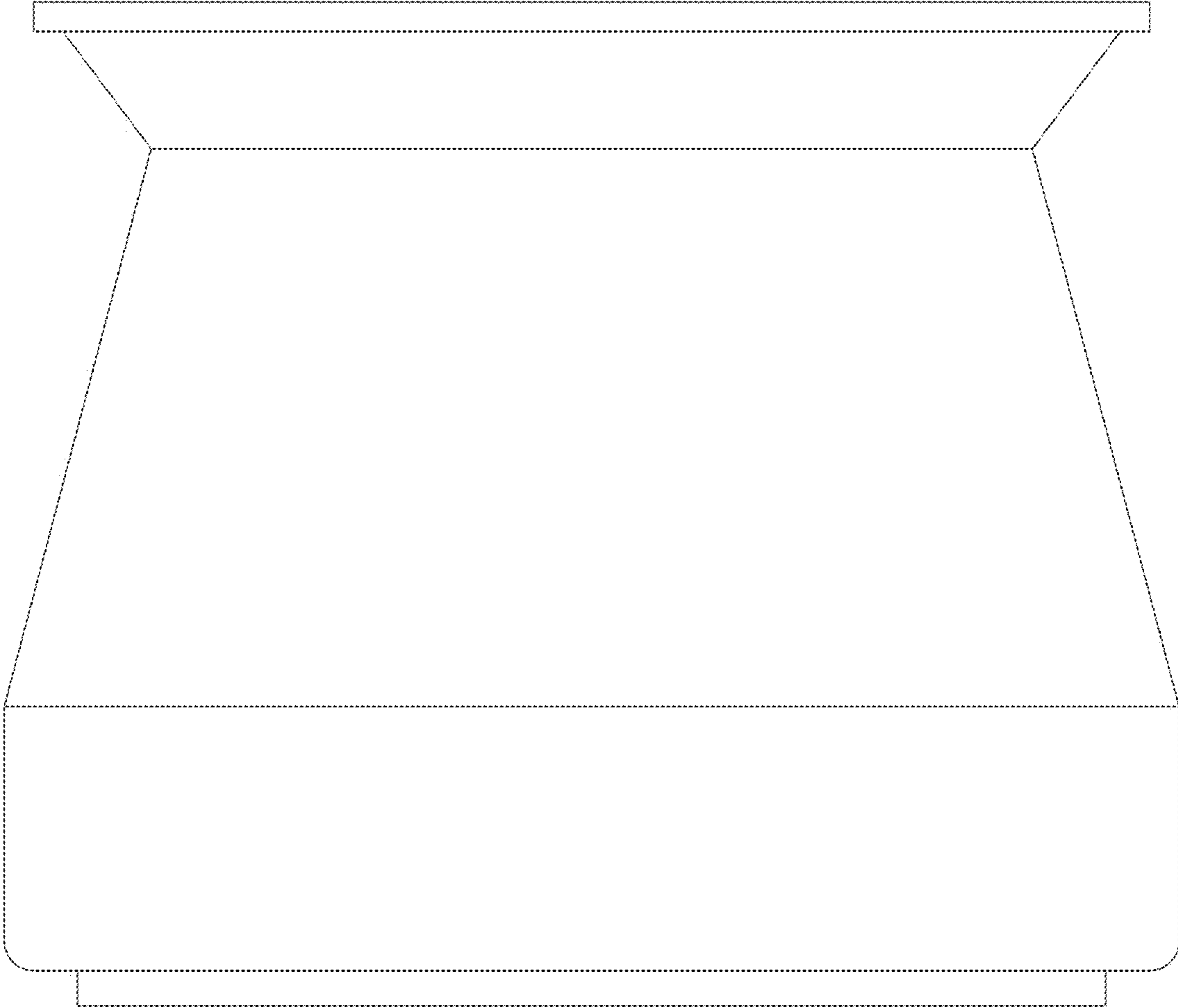


FIG. 6

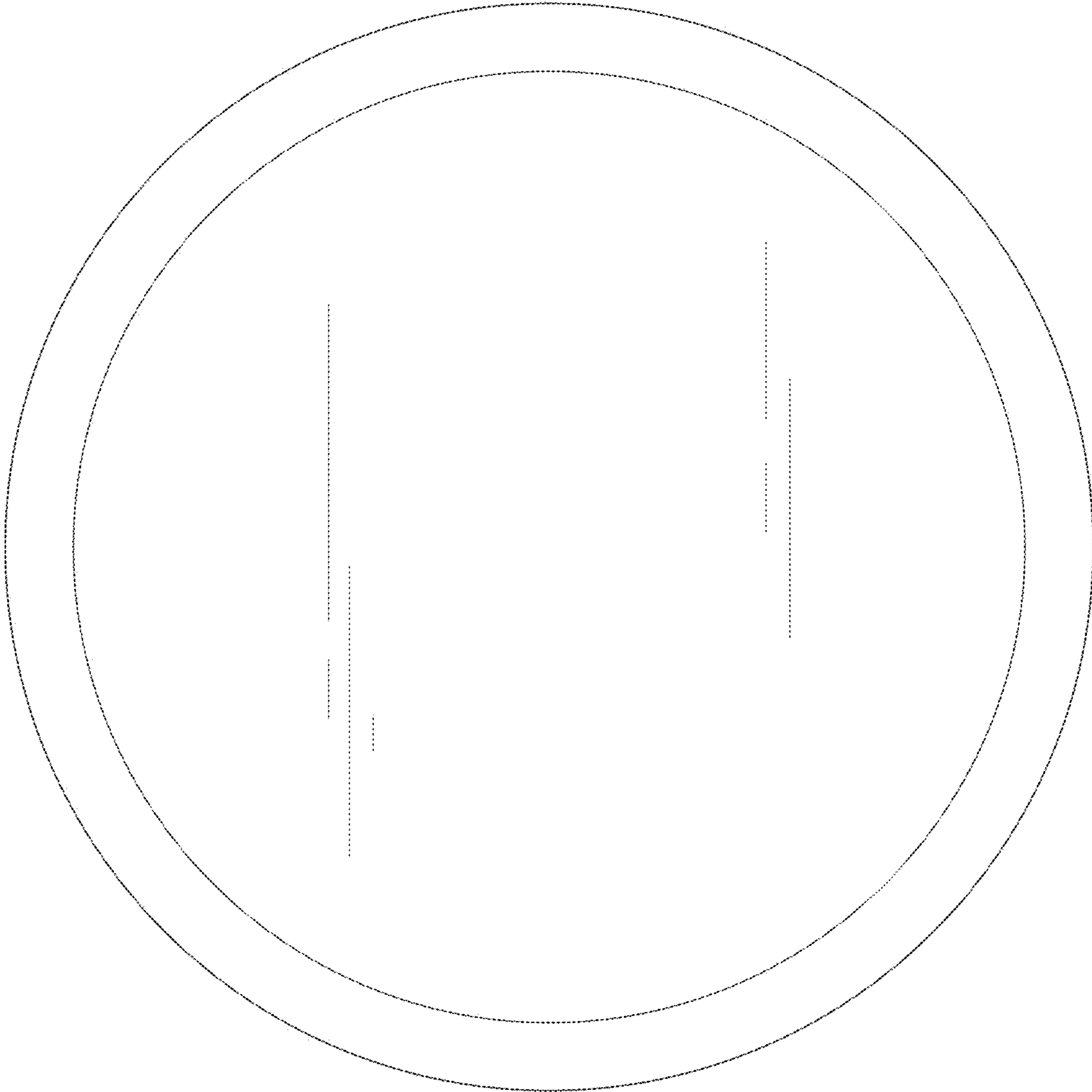


FIG. 7