



US00D981216S

(12) **United States Design Patent** (10) **Patent No.:** **US D981,216 S**
Mack et al. (45) **Date of Patent:** **** Mar. 21, 2023**

(54) CURTAIN CLIP	3,905,414 A	9/1975	Guebert et al.
	4,188,991 A	2/1980	Boyle
(71) Applicants: Courtney Mack , Los Angeles, CA (US); Meredith Rettinger Silver , Los Angeles, CA (US)	4,213,492 A	7/1980	Guebert et al.
	4,437,505 A	3/1984	Rodgers
	D292,370 S *	10/1987	Fairbanks 160/348
	4,874,028 A	10/1989	Lynch et al.
(72) Inventors: Courtney Mack , Los Angeles, CA (US); Meredith Rettinger Silver , Los Angeles, CA (US)	5,524,689 A	6/1996	Clark
	D494,055 S *	8/2004	Jones D8/395
	D508,394 S *	8/2005	Moffatt D8/356
	D698,232 S *	1/2014	Weinberg D8/394
	D712,845 S *	9/2014	Huang D13/154
(**) Term: 15 Years	D729,619 S *	5/2015	Cherin D8/394
	D829,128 S *	9/2018	Webb D11/200
(21) Appl. No.: 29/799,115	2009/0032205 A1	2/2009	Goodner et al.

* cited by examiner

(22) Filed: **Jul. 13, 2021**

(51) **LOC (14) Cl.** **08-11**

(52) **U.S. Cl.**
USPC **D8/368**

(58) **Field of Classification Search**
USPC D8/382, 383, 394, 395, 368, 369;
D13/154; D21/839; D19/65, 86;
D6/578
CPC F16B 2/02; F16B 2/04; F16B 2/06; F16B
2/20; F16B 2/22; F16B 2/246; Y10T
24/1394; Y10T 24/44; A47H 1/18
See application file for complete search history.

Primary Examiner — Calvin E Vansant
Assistant Examiner — Benjamin Lucas Gray
(74) *Attorney, Agent, or Firm* — Argus Intellectual Enterprise; Jordan Sworen; Daniel Enea

(57) **CLAIM**

The ornamental design for a curtain clip, as shown and described.

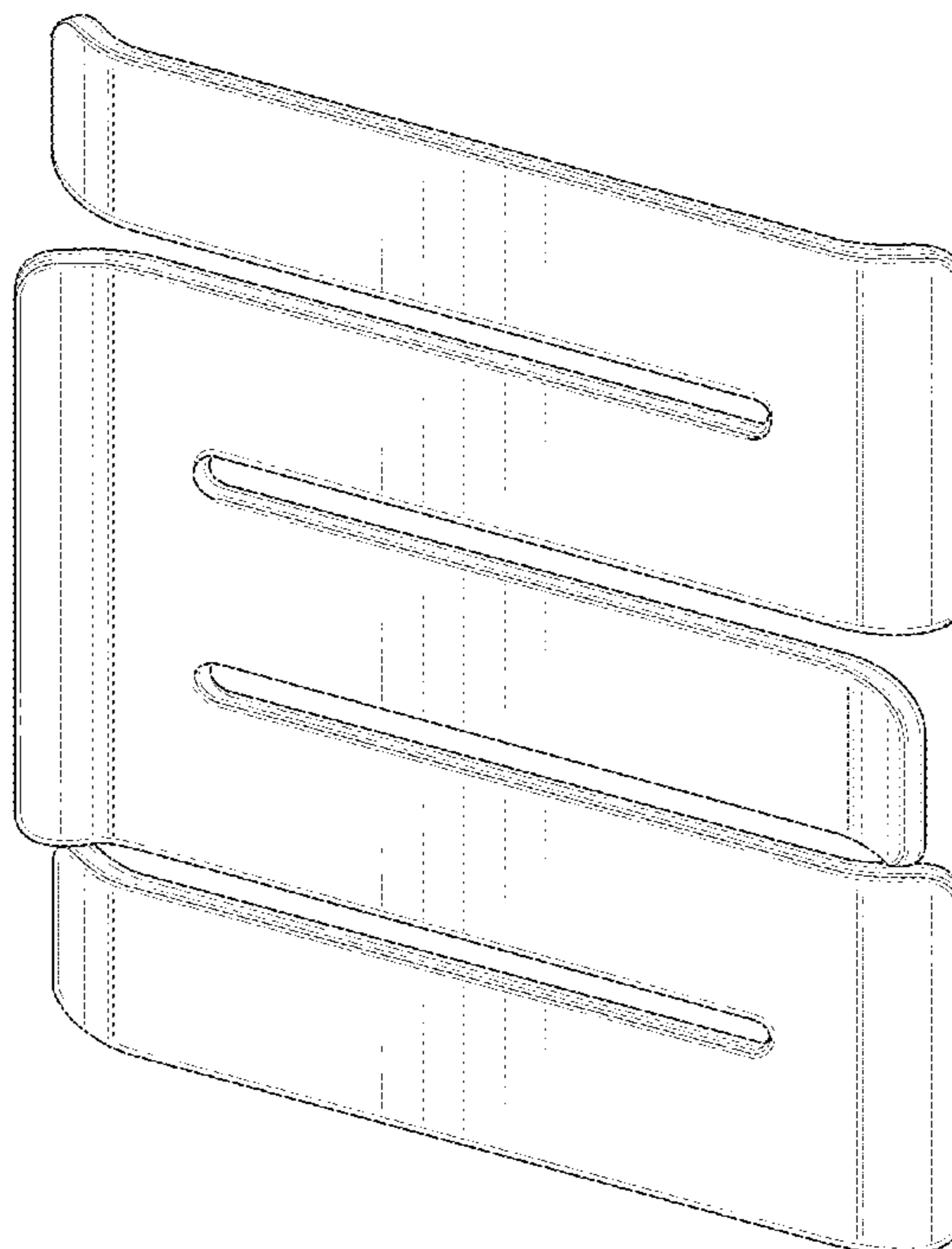
DESCRIPTION

FIG. 1 shows a perspective view of an embodiment of a curtain clip showing our new design;
FIG. 2 shows a front view thereof;
FIG. 3 shows a rear view thereof;
FIG. 4 shows a left side view thereof;
FIG. 5 shows a right side view thereof;
FIG. 6 shows a top plan view thereof; and
FIG. 7 shows a bottom plan view thereof.
The shade lines in the Figures show contour and not surface ornamentation.

(56) **References Cited**
U.S. PATENT DOCUMENTS

278,097 A *	5/1883	Collins	F16G 11/14
				D8/383
D23,423 S *	7/1894	Mintzer	D8/382
D25,563 S *	6/1896	Mueller	D8/383
D47,699 S *	8/1915	Parsons	D8/383
D118,748 S *	1/1940	Sprague	D8/395
3,047,060 A	7/1962	Eli		

1 Claim, 5 Drawing Sheets



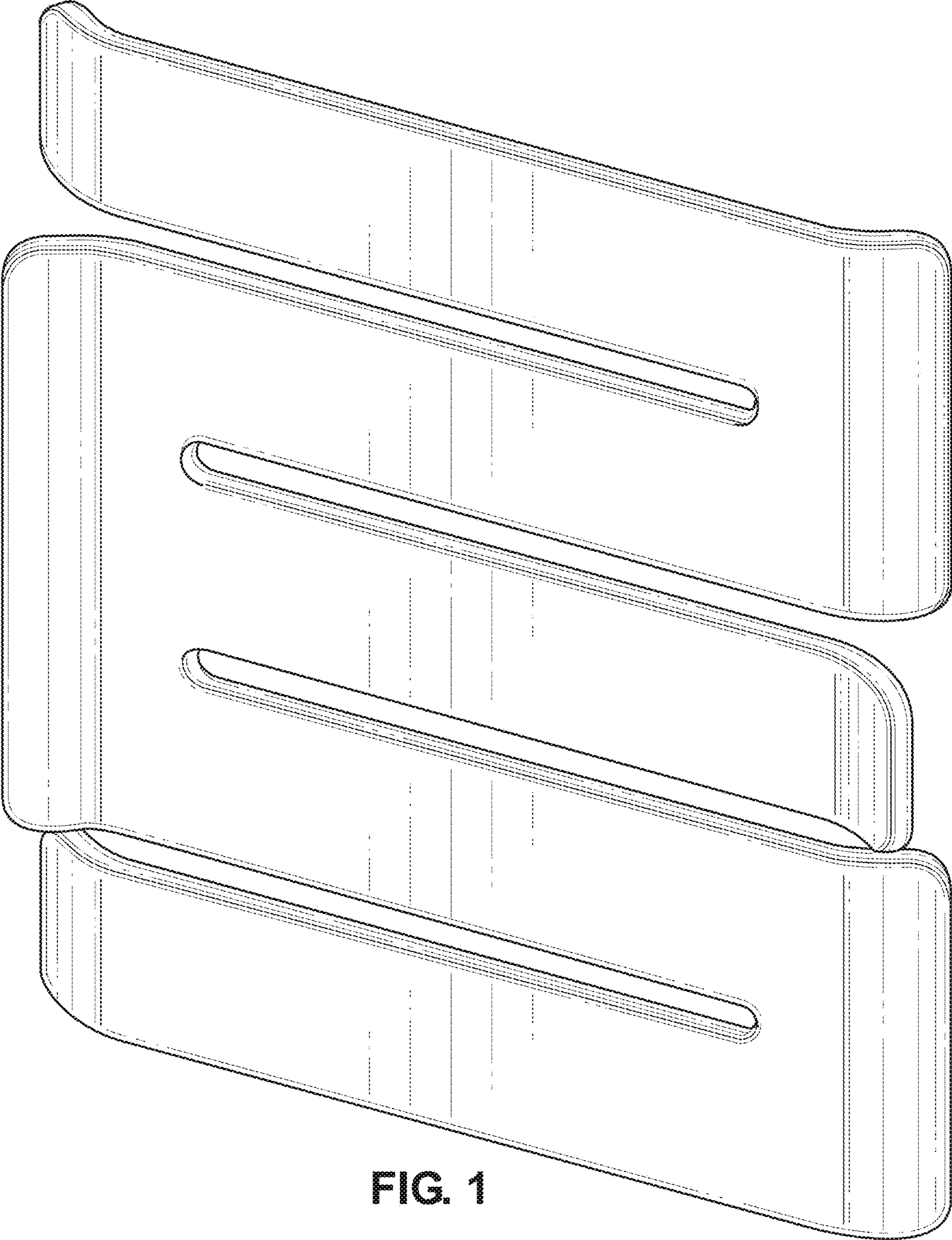


FIG. 1

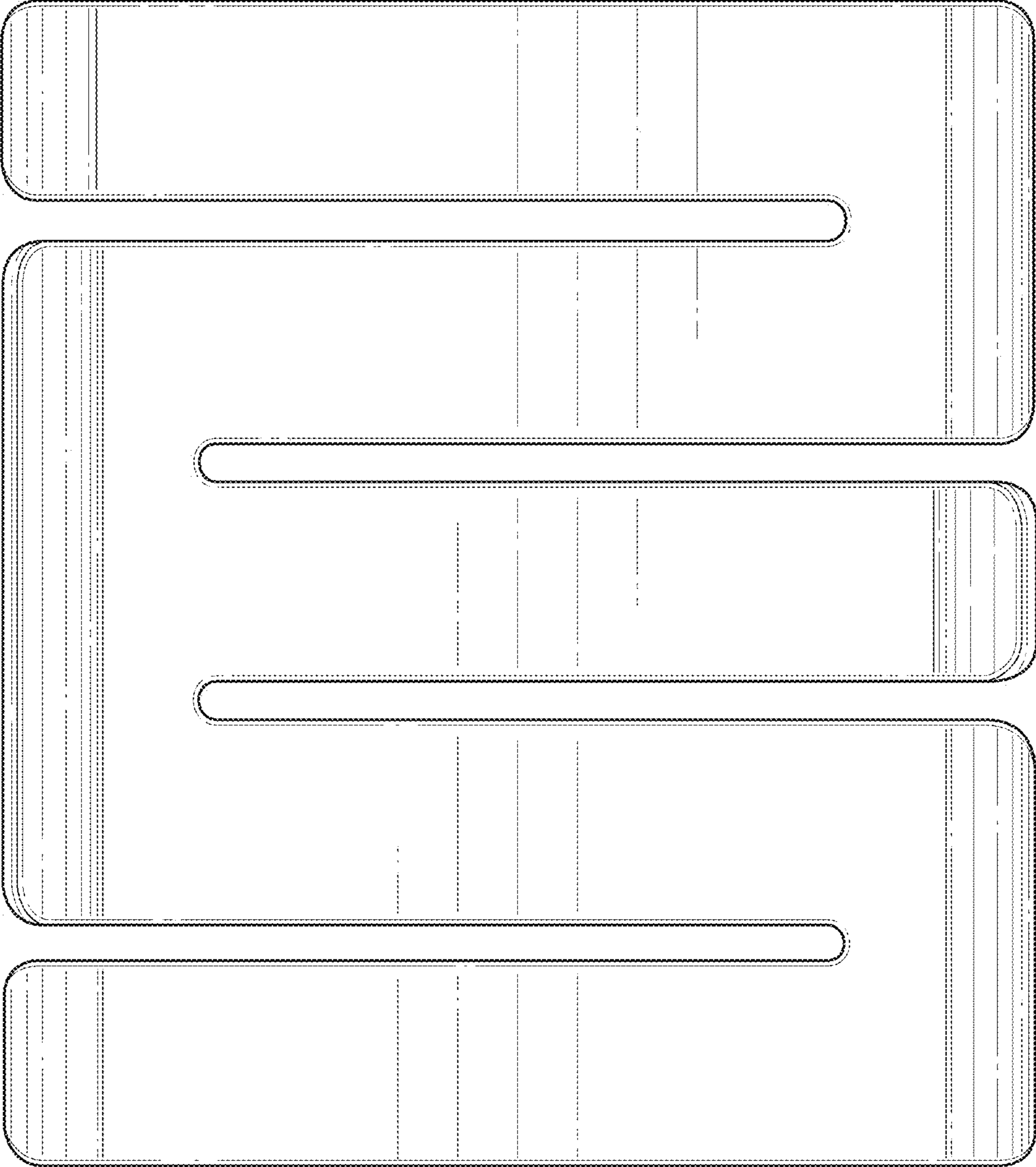


FIG. 2

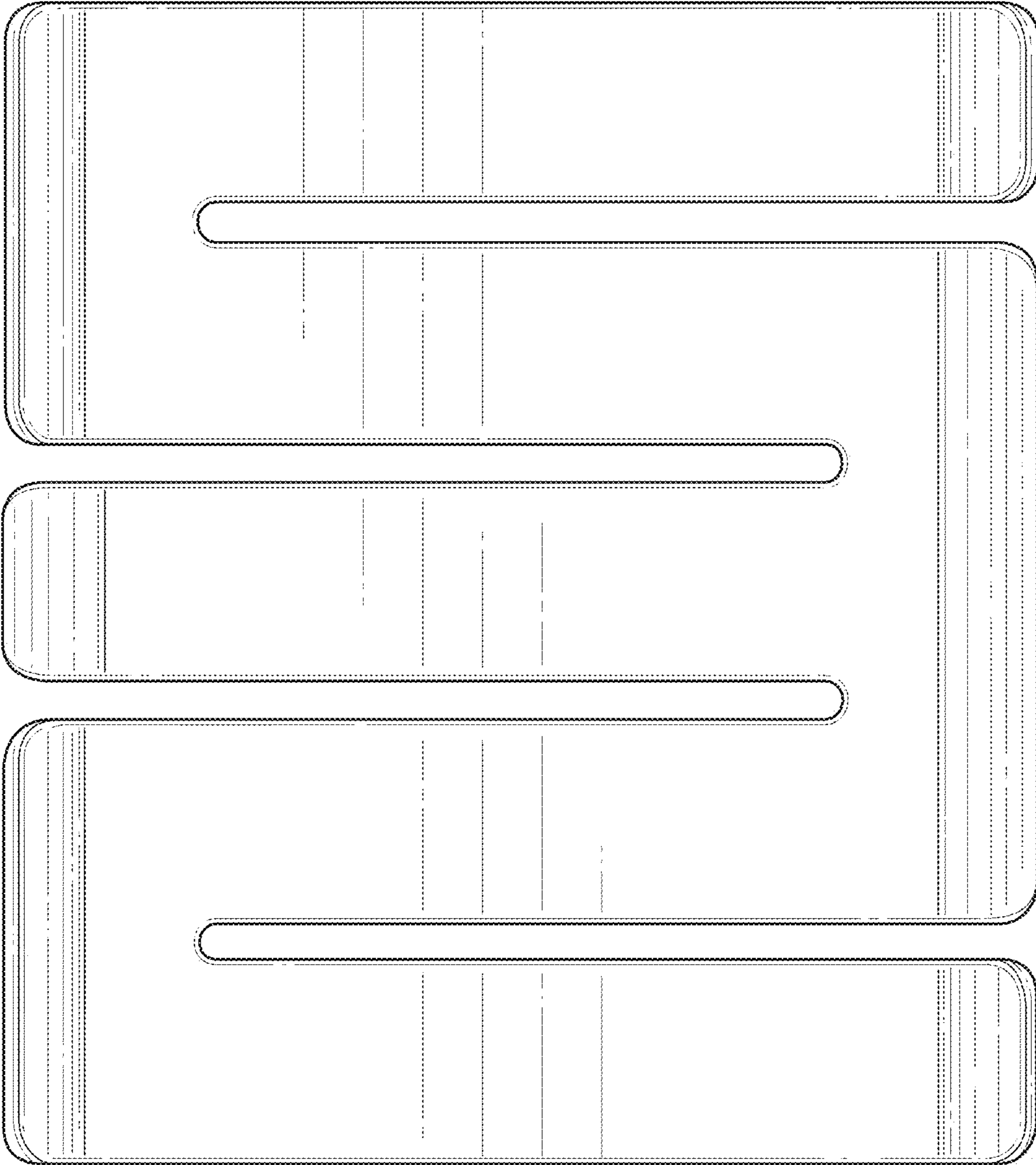


FIG. 3

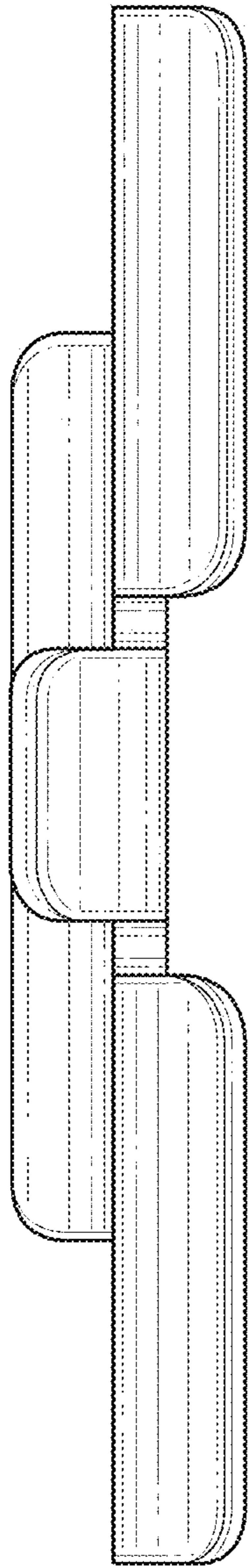


FIG. 4

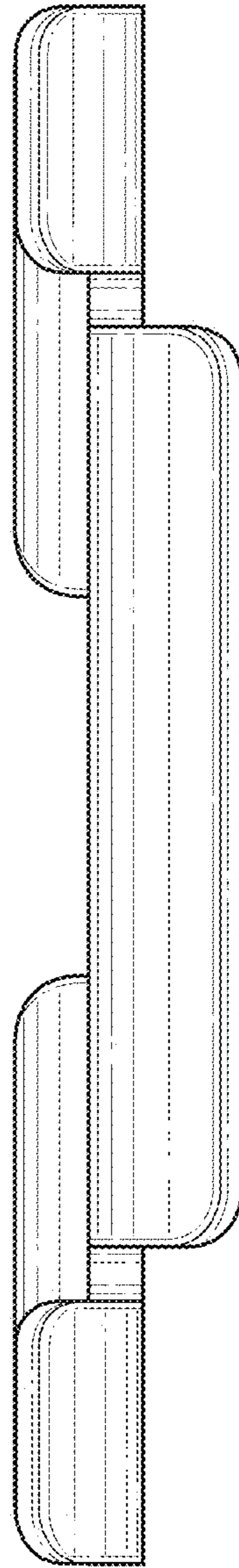


FIG. 5

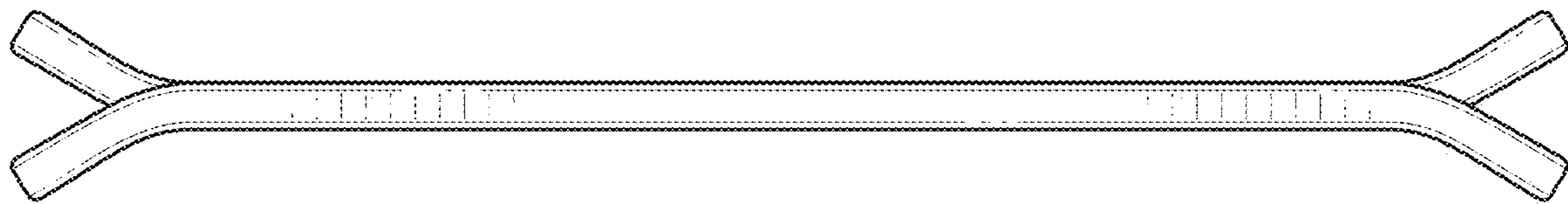


FIG. 6

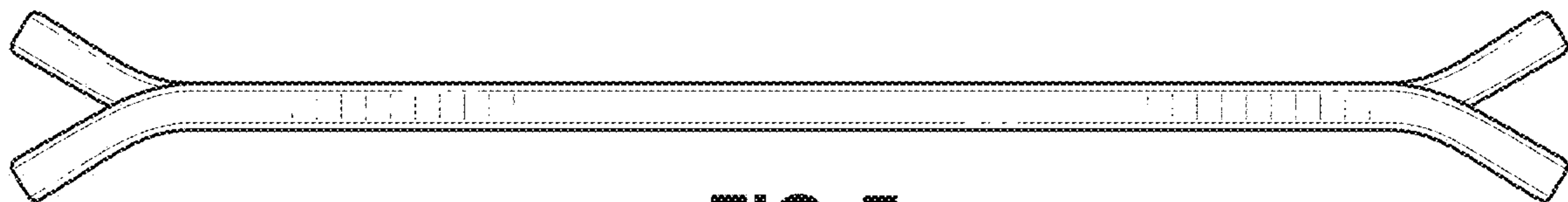


FIG. 7