



US00D981215S

(12) **United States Design Patent** (10) **Patent No.:** **US D981,215 S**
Spark (45) **Date of Patent:** **** Mar. 21, 2023**

- (54) **HOCKEY PUCK WALL HANGER**
- (71) Applicant: **2831954 Ontario Inc.**, Lynden (CA)
- (72) Inventor: **Glen Spark**, Waterloo (CA)
- (73) Assignee: **2831954 Ontario Inc.**
- (**) Term: **15 Years**
- (21) Appl. No.: **29/726,490**
- (22) Filed: **Mar. 3, 2020**
- (51) **LOC (14) Cl.** **08-11**
- (52) **U.S. Cl.**
USPC **D8/367**
- (58) **Field of Classification Search**
USPC D8/367, 354, 349, 373, 356; D6/323;
248/301-304, 339
CPC .. A47G 1/00; A47G 25/00; A47G 1/17; F16B
47/003
See application file for complete search history.

- 6,814,335 B2 * 11/2004 Immerman A47G 25/0614
248/205.5
- D531,487 S * 11/2006 Dretzka D8/367
- D600,536 S * 9/2009 Hager D8/367
- D642,897 S * 8/2011 Berkowitz D8/367
- D665,987 S * 8/2012 El D2/976
- 8,739,453 B1 * 6/2014 Conner B60R 7/14
42/99
- D797,542 S * 9/2017 Block D8/310
- D880,990 S * 4/2020 Liu D8/367

* cited by examiner

Primary Examiner — Cynthia R Underwood
(74) *Attorney, Agent, or Firm* — Ridout & Maybee LLP

(57) **CLAIM**

The ornamental design for a hockey puck wall hanger, as shown and described.

DESCRIPTION

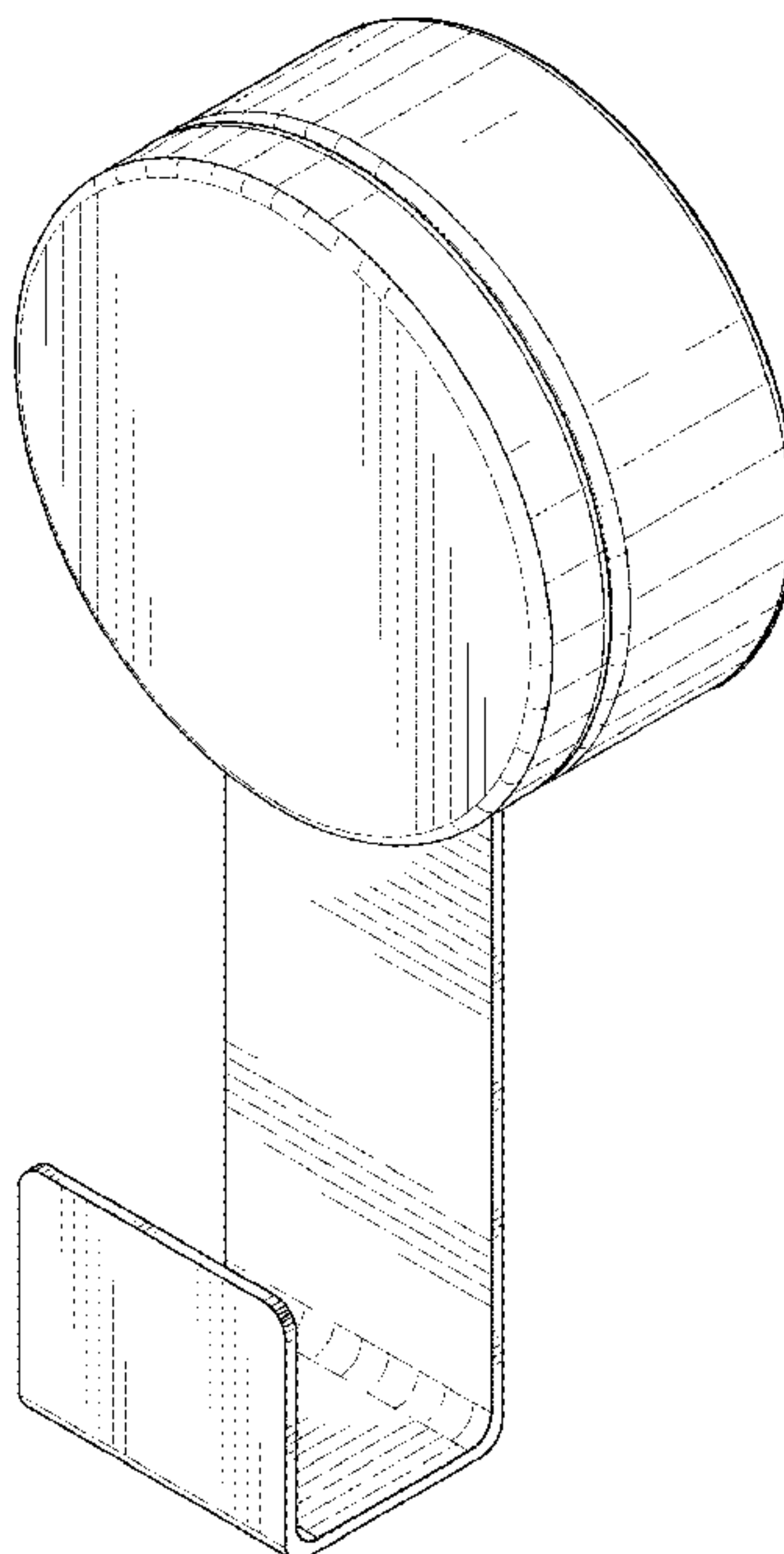
FIG. 1 is a top right perspective view from the front of a hockey puck wall hanger showing my new design;
 FIG. 2 is a top right perspective view from the rear of the hockey puck wall hanger shown in FIG. 1;
 FIG. 3 is a front elevational view of the hockey puck wall hanger shown in FIG. 1;
 FIG. 4 is a rear elevational view of the hockey puck wall hanger shown in FIG. 1;
 FIG. 5 is a right side elevational view of the hockey puck wall hanger shown in FIG. 1;
 FIG. 6 is a left side elevational view of the hockey puck wall hanger shown in FIG. 1;
 FIG. 7 is a top plan view of the hockey puck wall hanger shown in FIG. 1; and,
 FIG. 8 is a bottom plan view of the hockey puck wall hanger shown in FIG. 1.

1 Claim, 7 Drawing Sheets

(56) **References Cited**

U.S. PATENT DOCUMENTS

- 2,679,998 A * 6/1954 Keller F16B 47/003
D8/367
- 2,803,595 A * 8/1957 Anzaldi C25F 7/00
204/297.02
- D267,604 S * 1/1983 Peabody D8/367
- D346,950 S * 5/1994 Dunn D8/367
- D401,499 S * 11/1998 Barry D8/367
- 5,967,476 A * 10/1999 Chen A47G 1/20
248/304
- D442,073 S * 5/2001 Lyndon D8/358
- D449,977 S * 11/2001 Dembowiak D8/367
- D482,952 S * 12/2003 Steinman D8/367
- 6,749,165 B2 * 6/2004 Immerman A47G 1/17
248/205.5



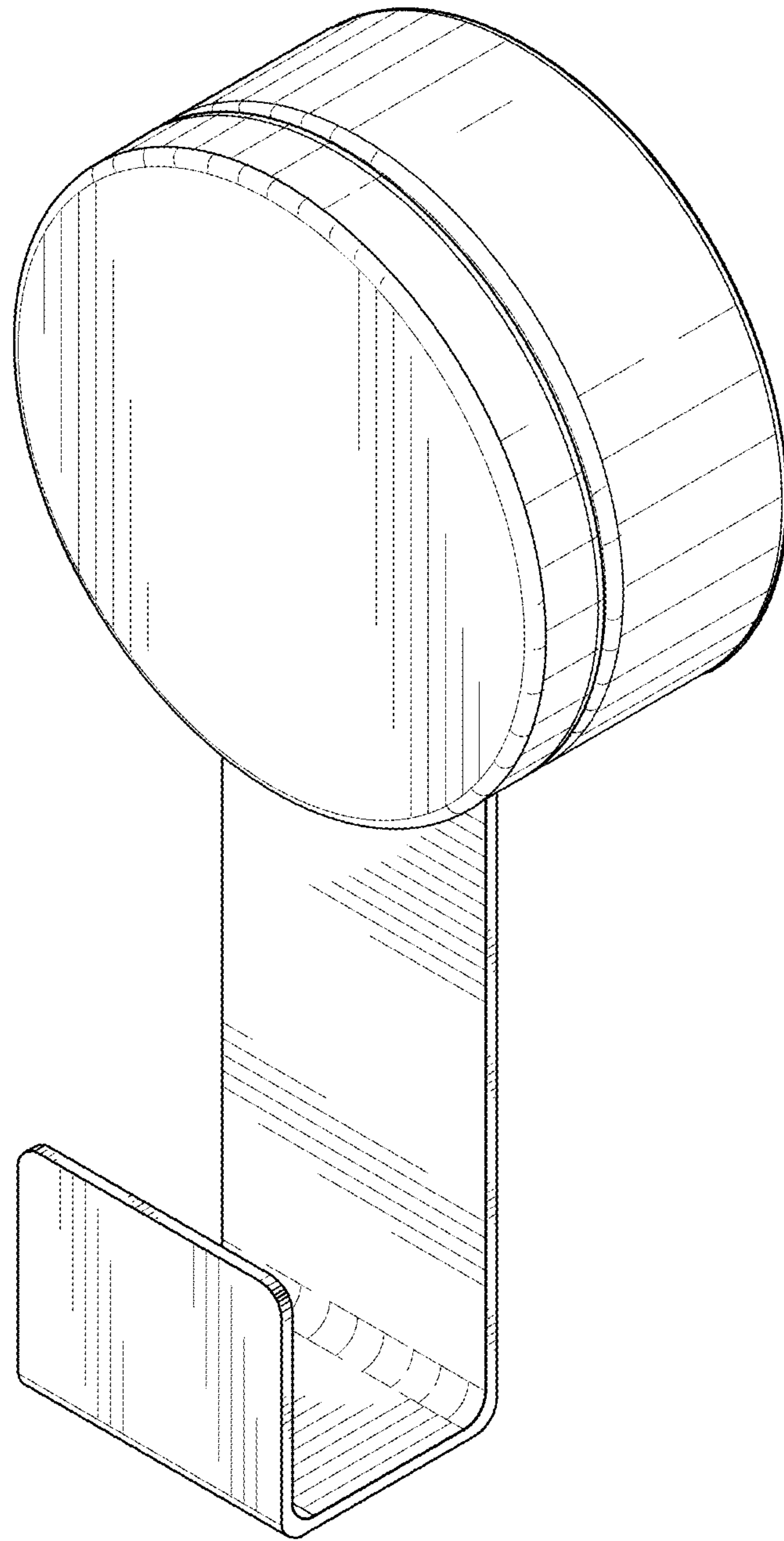


FIG. 1

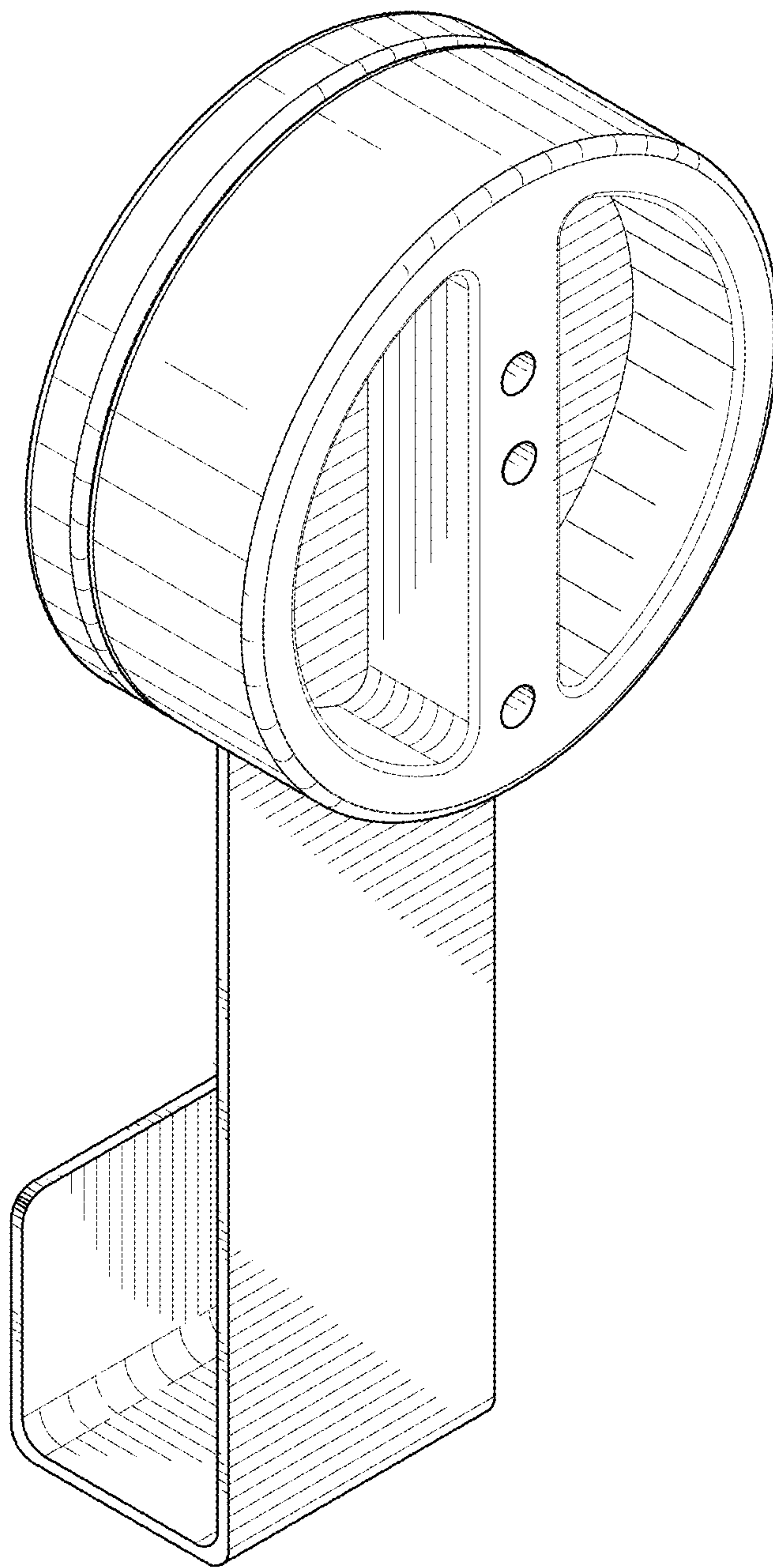


FIG.2

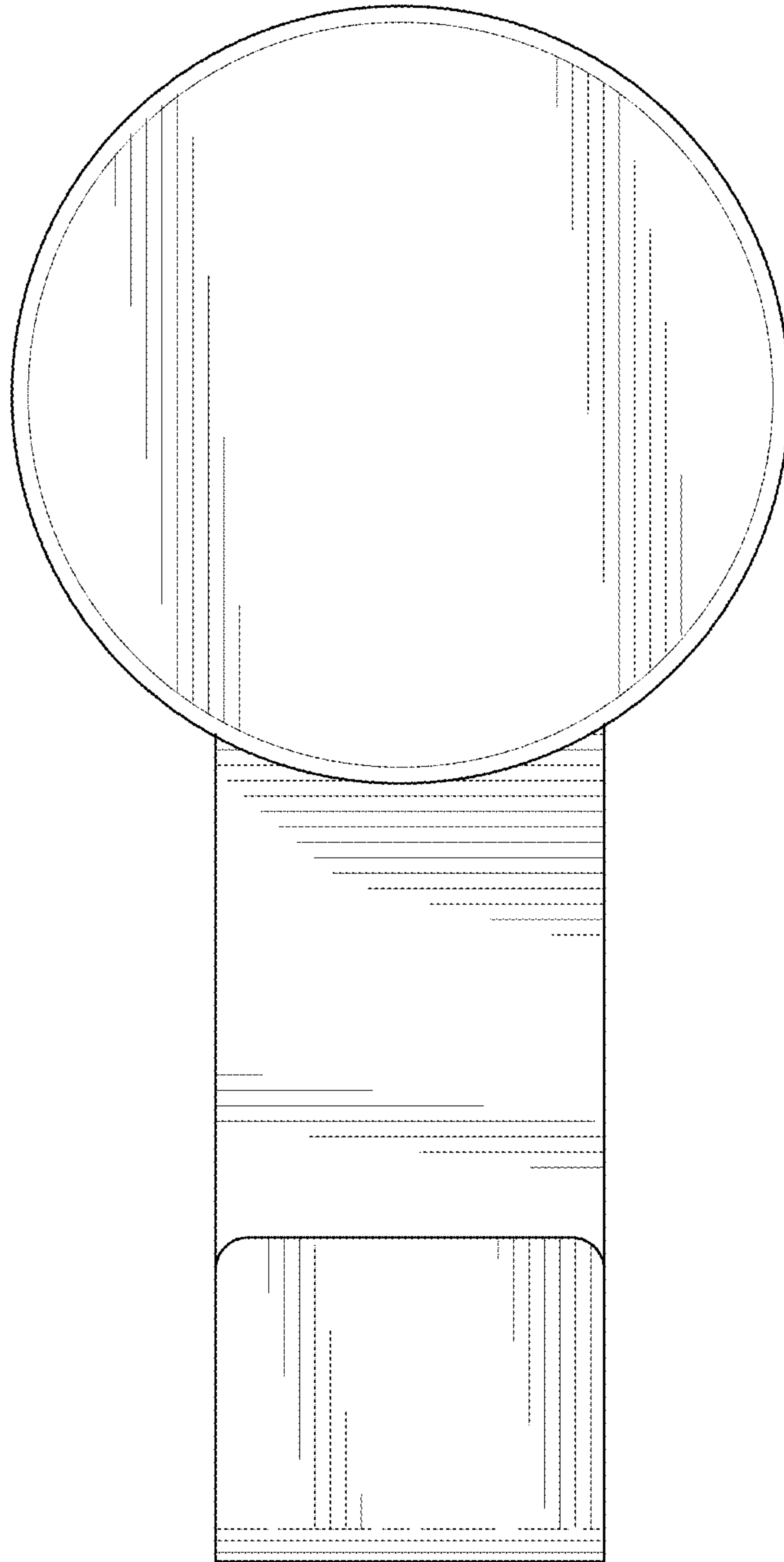


FIG.3

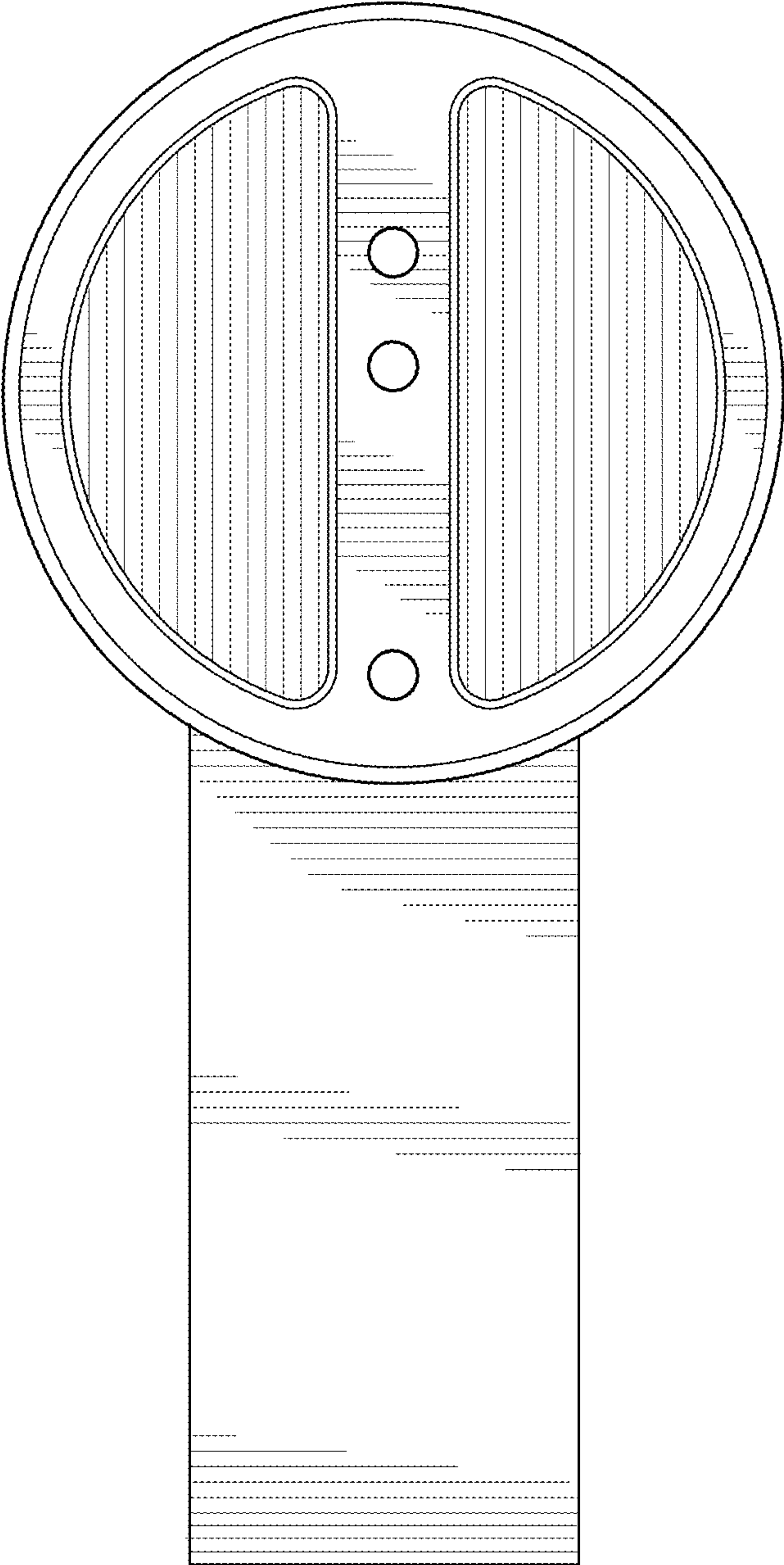


FIG.4

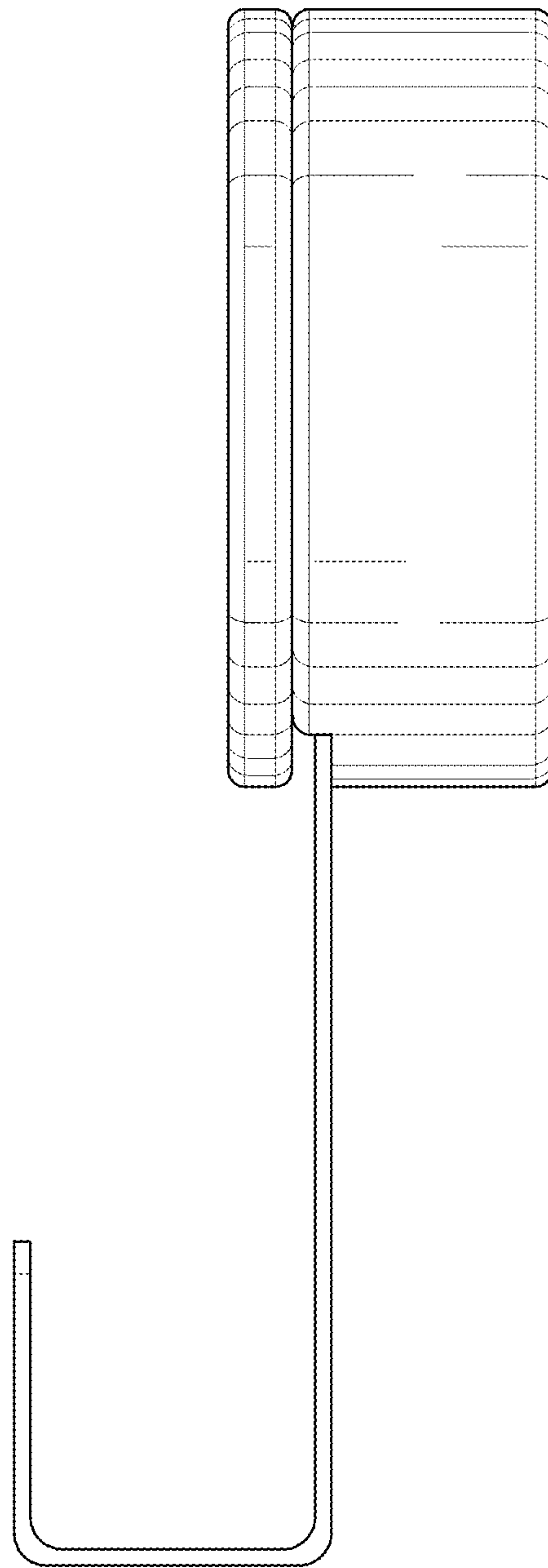


FIG.5

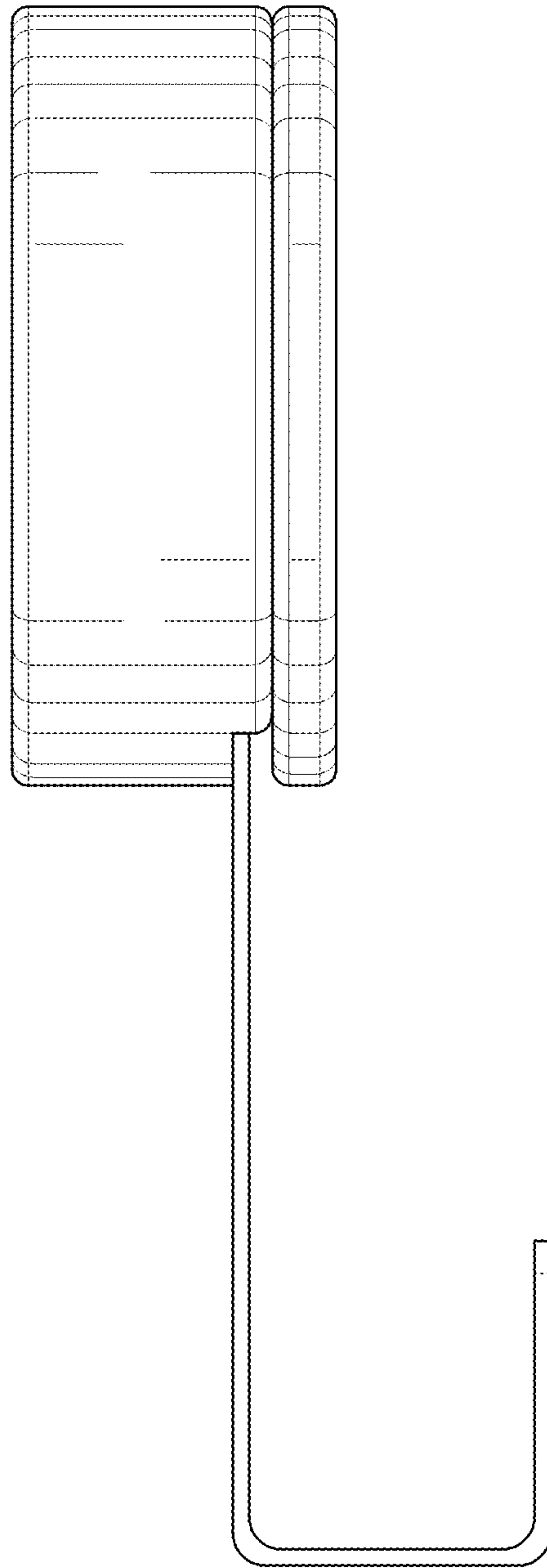


FIG.6

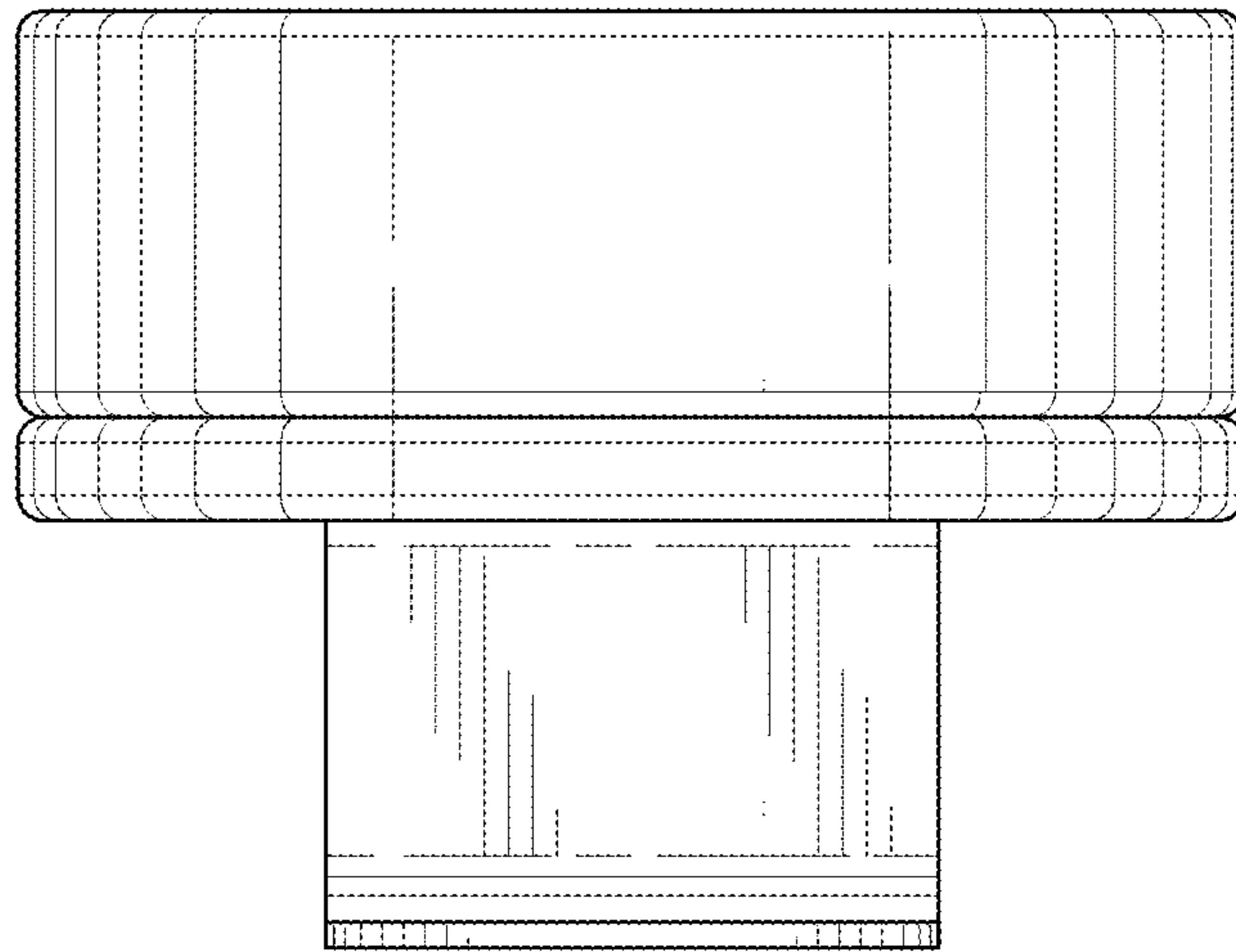


FIG.7

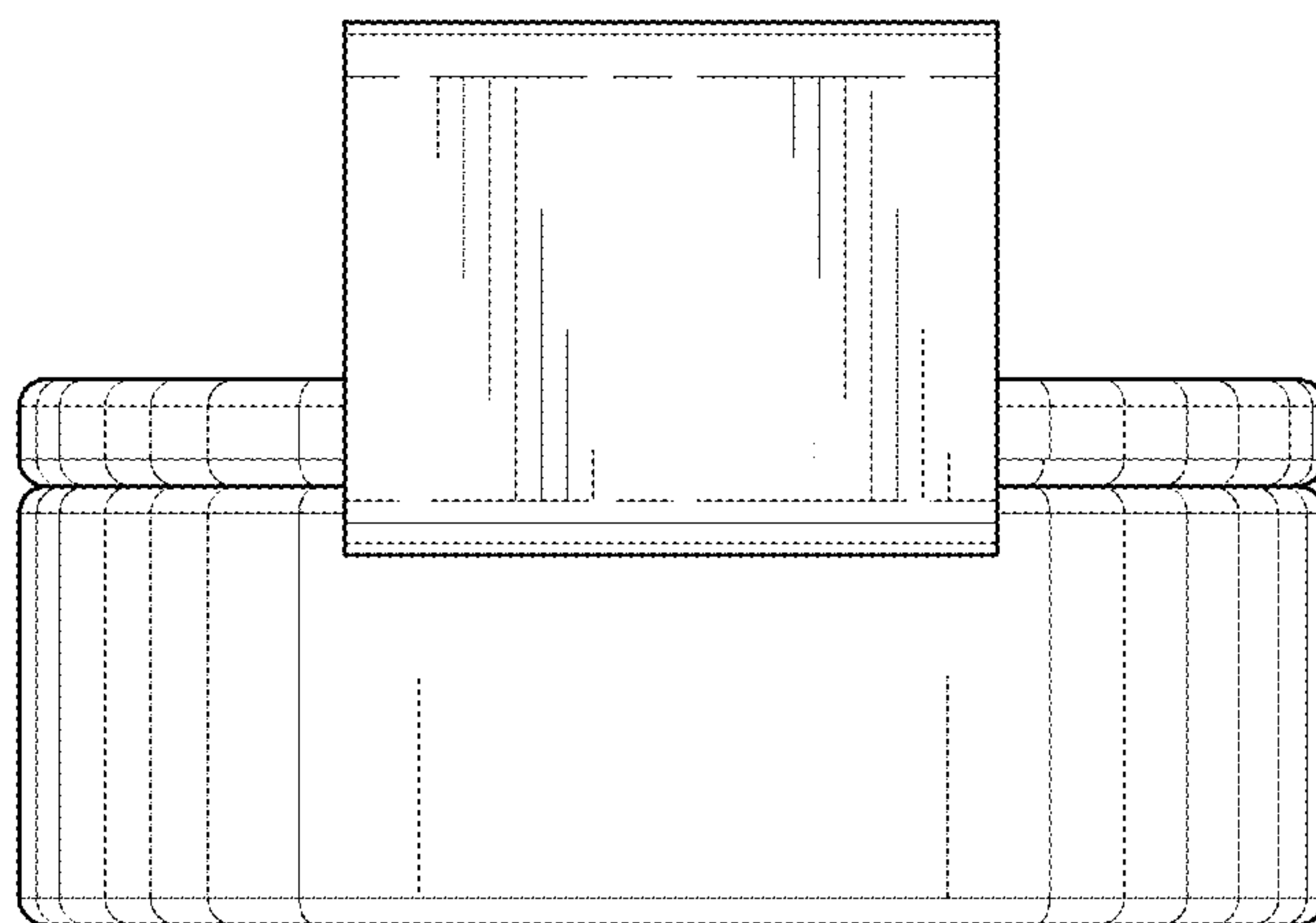


FIG.8