



US00D981214S

(12) **United States Design Patent**  
**Gao**

(10) **Patent No.:** **US D981,214 S**  
(45) **Date of Patent:** **\*\* Mar. 21, 2023**

(54) **LIMITER OF TENSION TUBE**

(71) Applicant: **Yi Gao**, Guangdong (CN)

(72) Inventor: **Yi Gao**, Guangdong (CN)

(\*\*) Term: **15 Years**

(21) Appl. No.: **29/859,378**

(22) Filed: **Nov. 9, 2022**

(51) **LOC (14) Cl.** ..... **08-05**

(52) **U.S. Cl.**  
USPC ..... **D8/356**

(58) **Field of Classification Search**  
USPC ..... D8/349, 356–358, 382–385, 394, 395;  
D13/155

CPC .... B65H 75/366; B65H 75/364; B65H 75/34;  
B65H 75/4442; B65H 54/60; B65H  
75/285; Y10T 24/39; Y10T 24/3444

See application file for complete search history.

(56) **References Cited**

**U.S. PATENT DOCUMENTS**

3,132,822	A *	5/1964	Arthur	.....	G06K 13/26 242/586.6
4,330,005	A *	5/1982	Kjarsgaard	.....	B65H 75/364 242/129
D343,570	S	1/1994	Meier		
D480,942	S *	10/2003	Ishida	.....	D8/356
D653,100	S *	1/2012	Chen	.....	D8/356
D691,877	S *	10/2013	Ganski	.....	D8/356
D707,107	S *	6/2014	Crouse	.....	D8/356
D720,606	S *	1/2015	Mathews	.....	D8/356

9,106,068	B2 *	8/2015	Barna	.....	H02G 3/32
D831,461	S	10/2018	Jarrett		
2008/0121763	A1 *	5/2008	Mori	.....	H02G 3/32 248/68.1
2008/0245919	A1 *	10/2008	Peng	.....	H02G 11/02 242/407

\* cited by examiner

*Primary Examiner* — Lauren R Calve

(74) *Attorney, Agent, or Firm* — ScienBiziP, P.C.

(57) **CLAIM**

The ornamental design for a limiter of tension tube, as shown and described.

**DESCRIPTION**

FIG. 1 is a front, right and top perspective view of a limiter of tension tube, showing my design.

FIG. 2 is a rear, left and bottom perspective view thereof.

FIG. 3 is a front elevation view thereof.

FIG. 4 is a rear elevation view thereof.

FIG. 5 is a left side elevation view thereof.

FIG. 6 is a right side elevation view thereof.

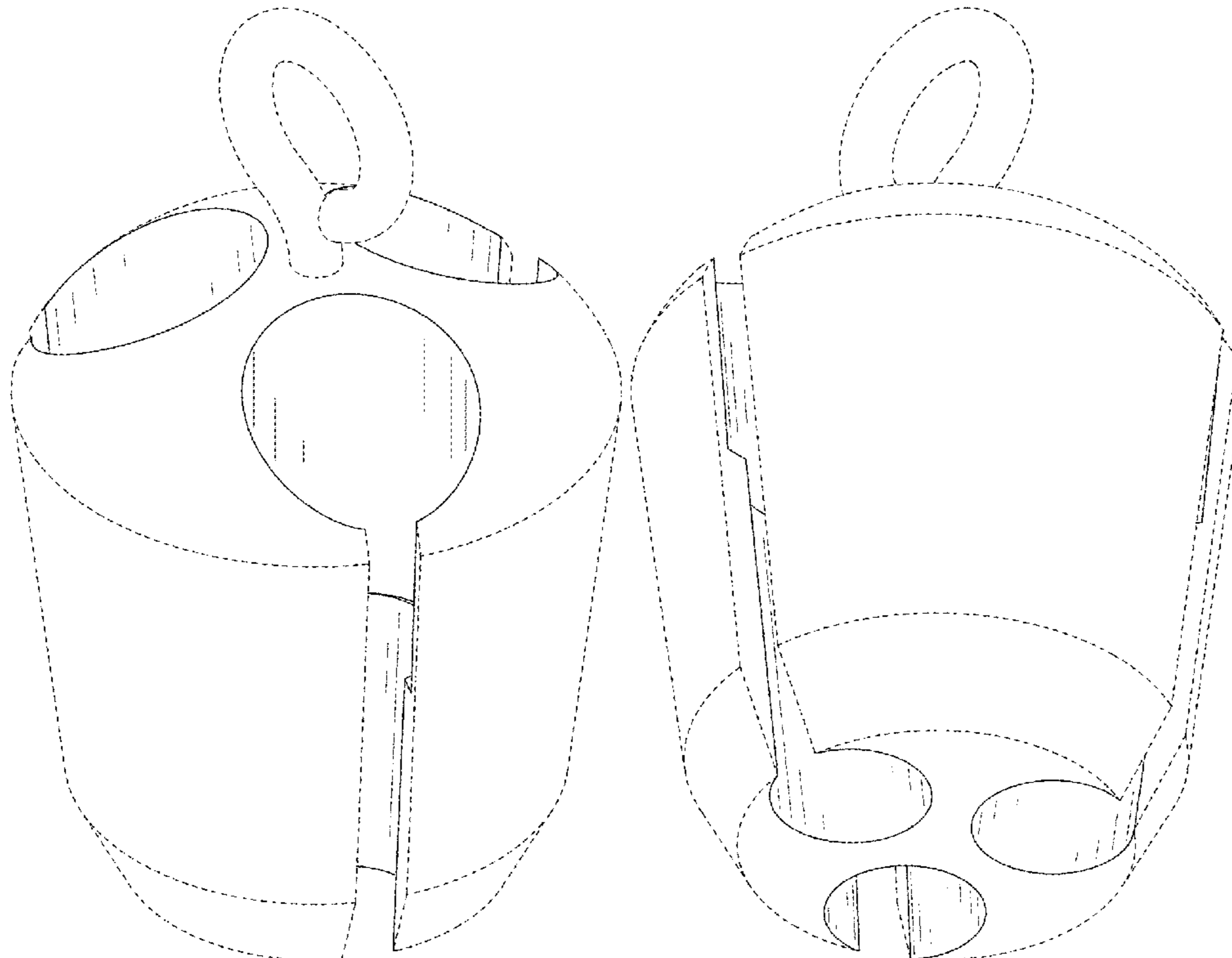
FIG. 7 is a top plan view thereof.

FIG. 8 is a bottom plan view thereof; and,

FIG. 9 is a cross-sectional view of the limiter of tension tube of FIG. 1, taken along section line 9-9 as depicted in FIG. 4.

The broken lines depict portions of the limiter of tension tube that form no part of the claimed design.

**1 Claim, 9 Drawing Sheets**



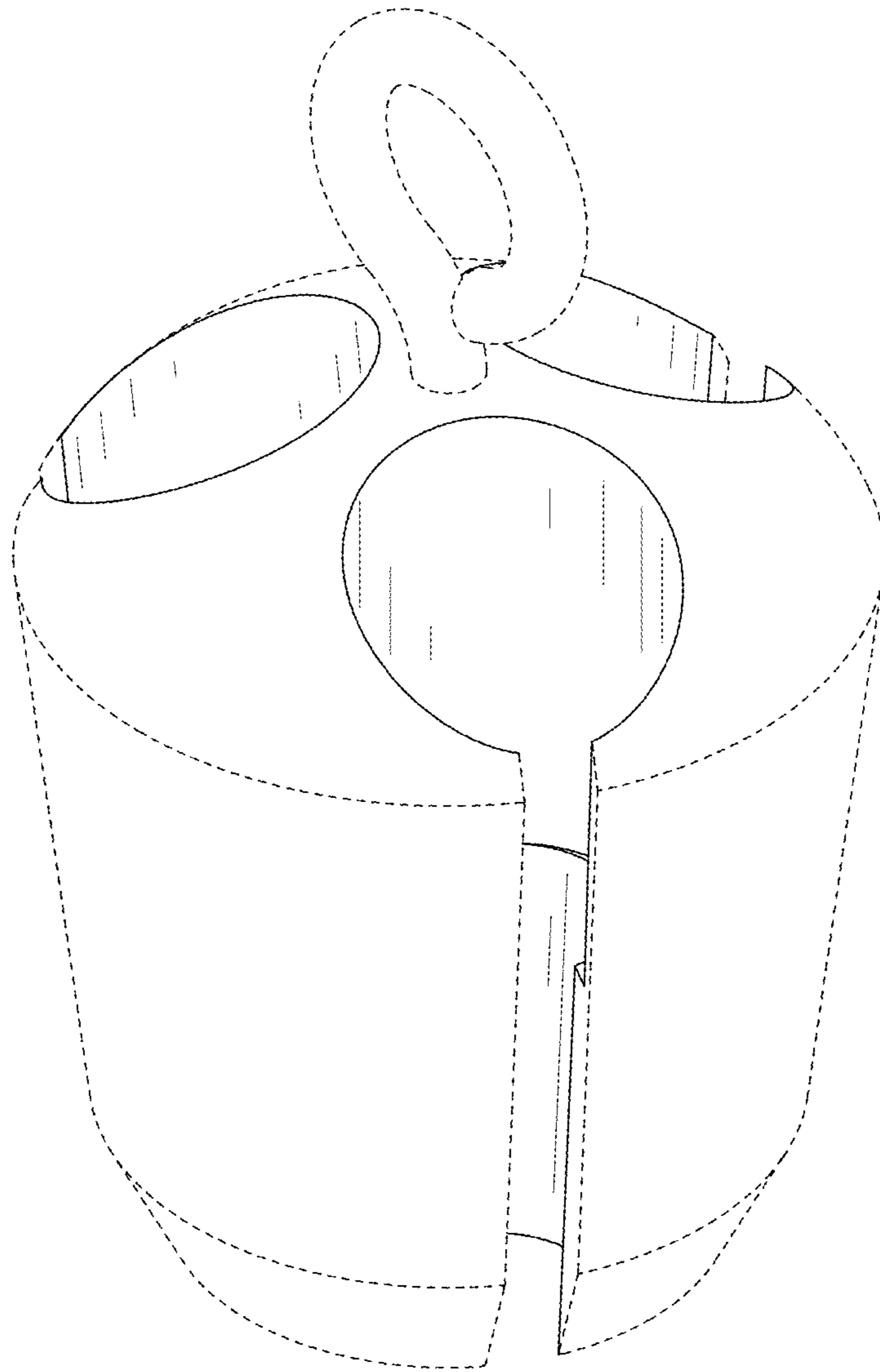


FIG. 1

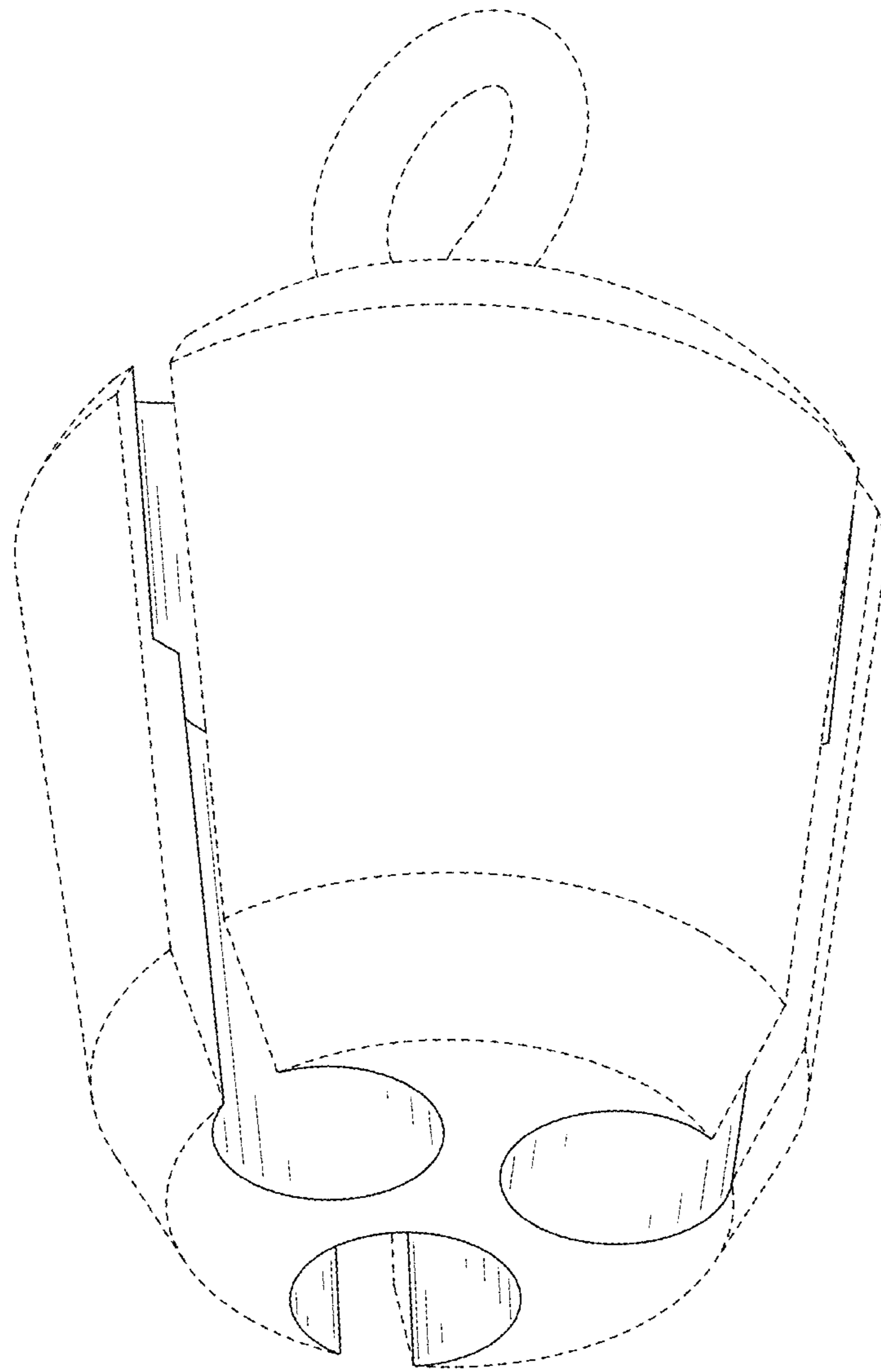


FIG. 2

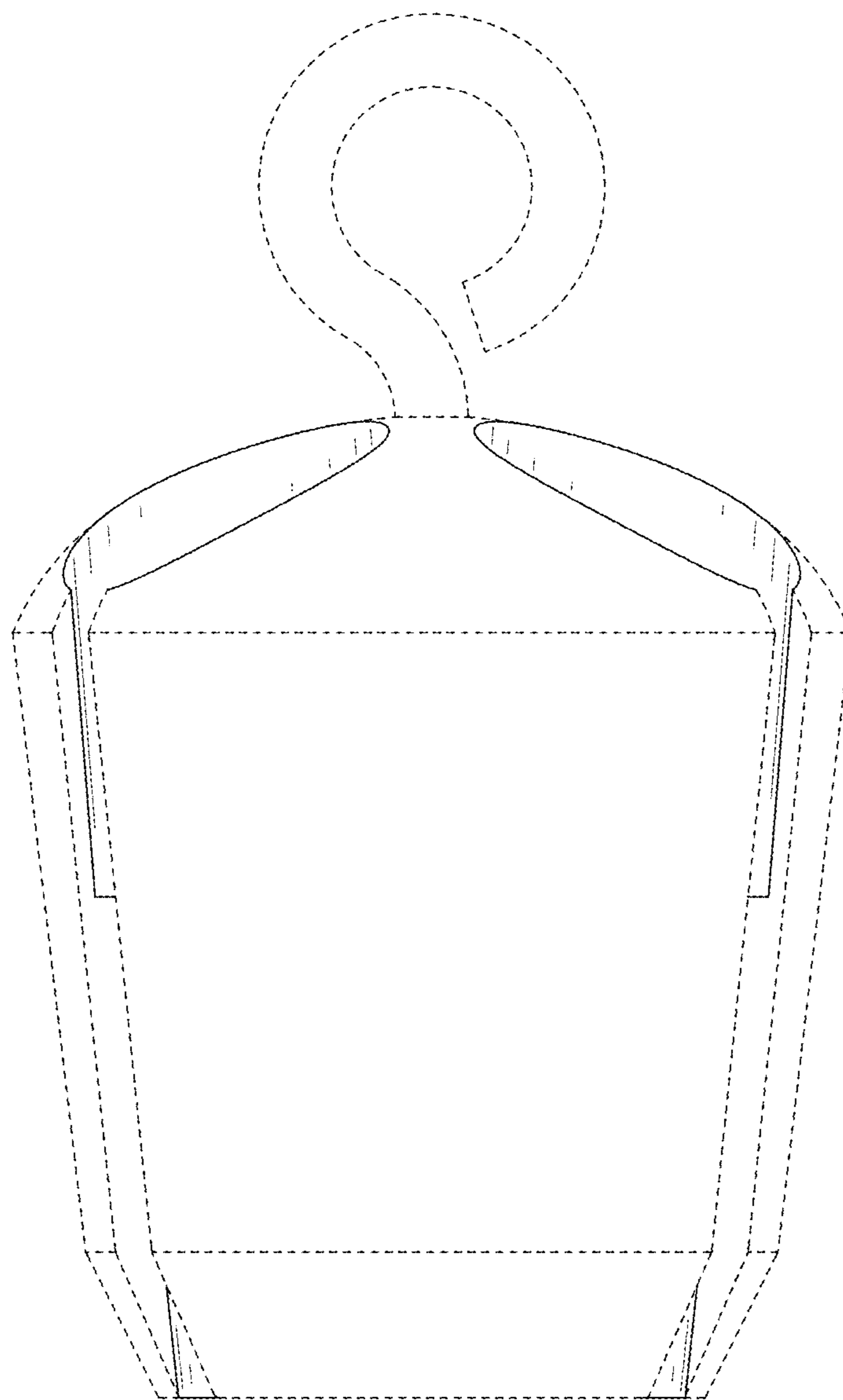


FIG. 3

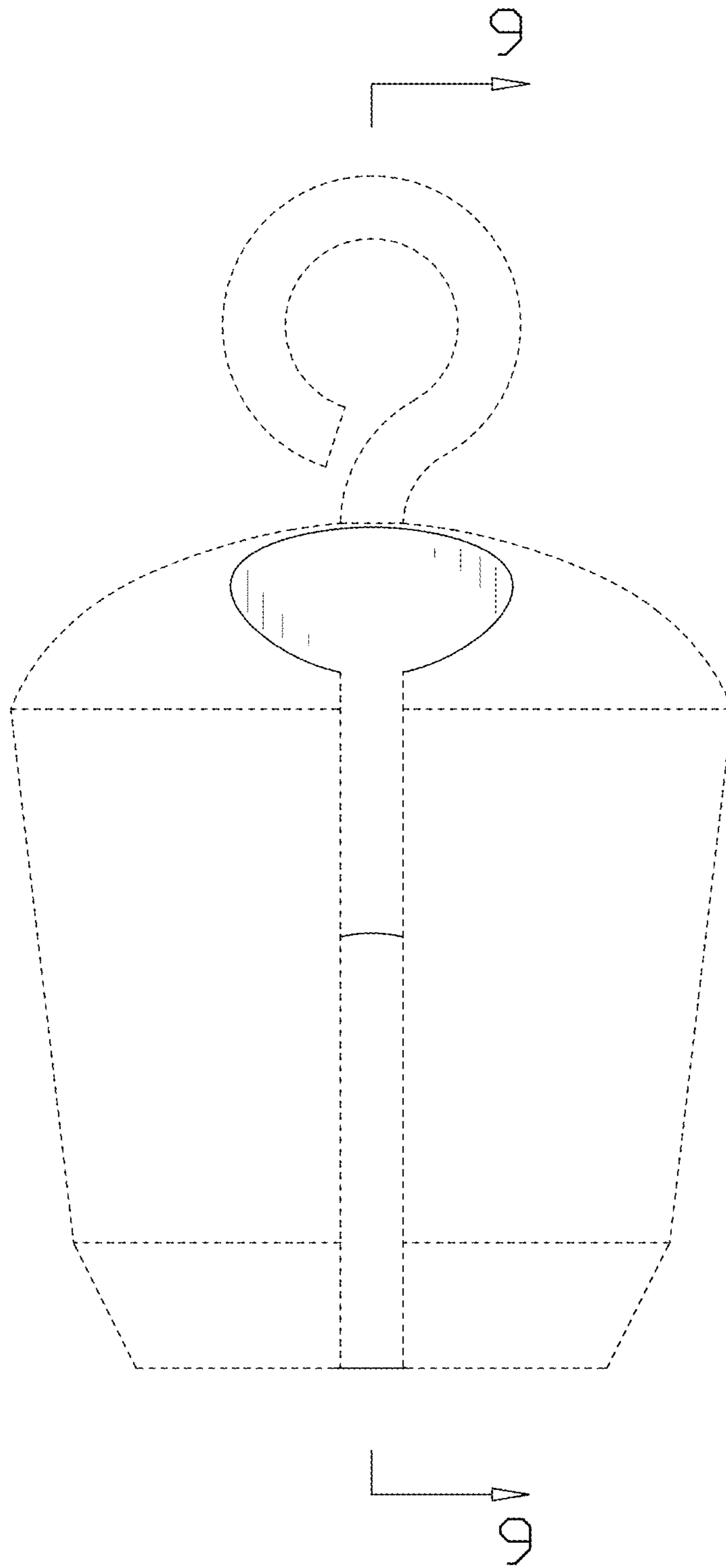


FIG. 4

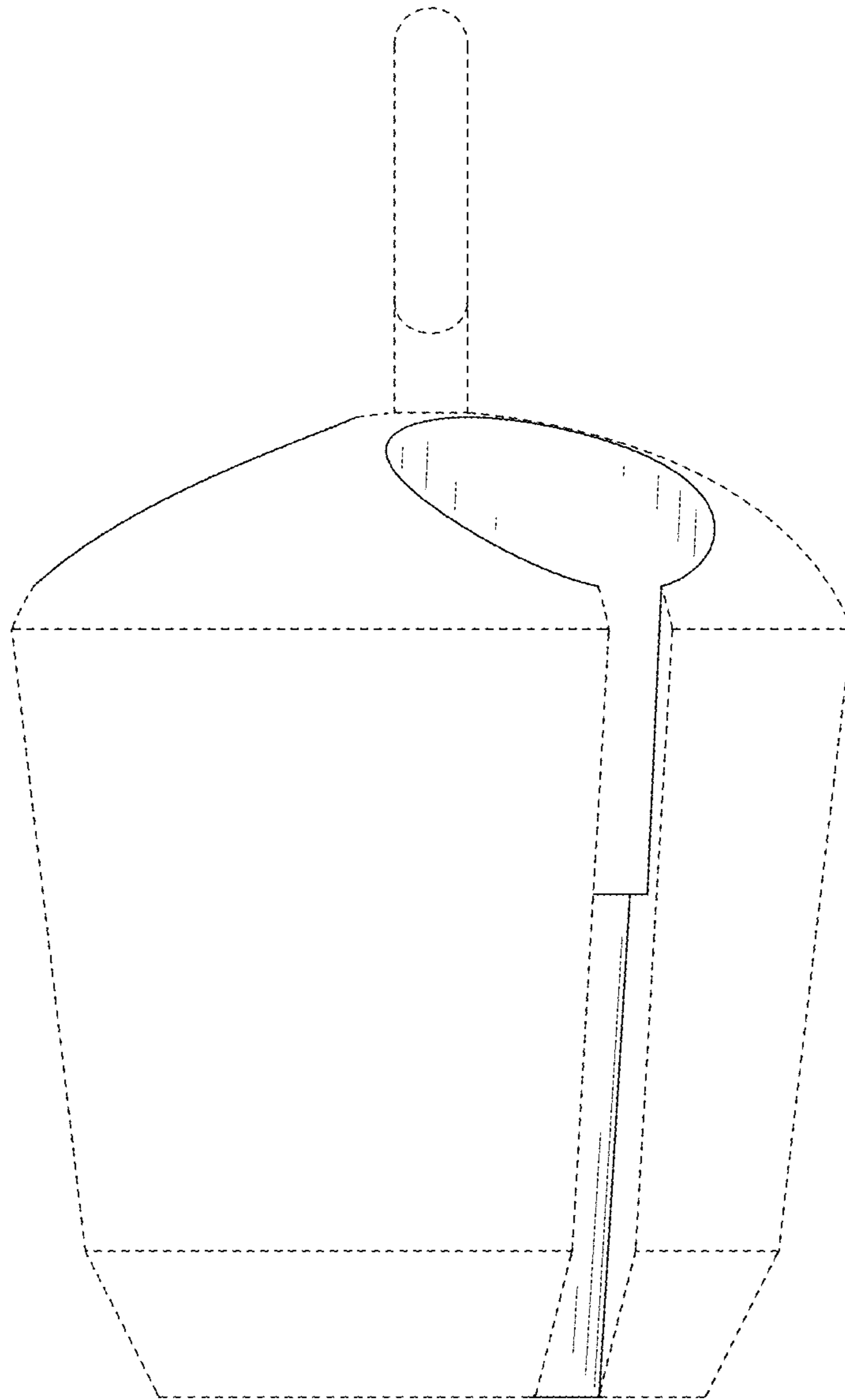


FIG. 5

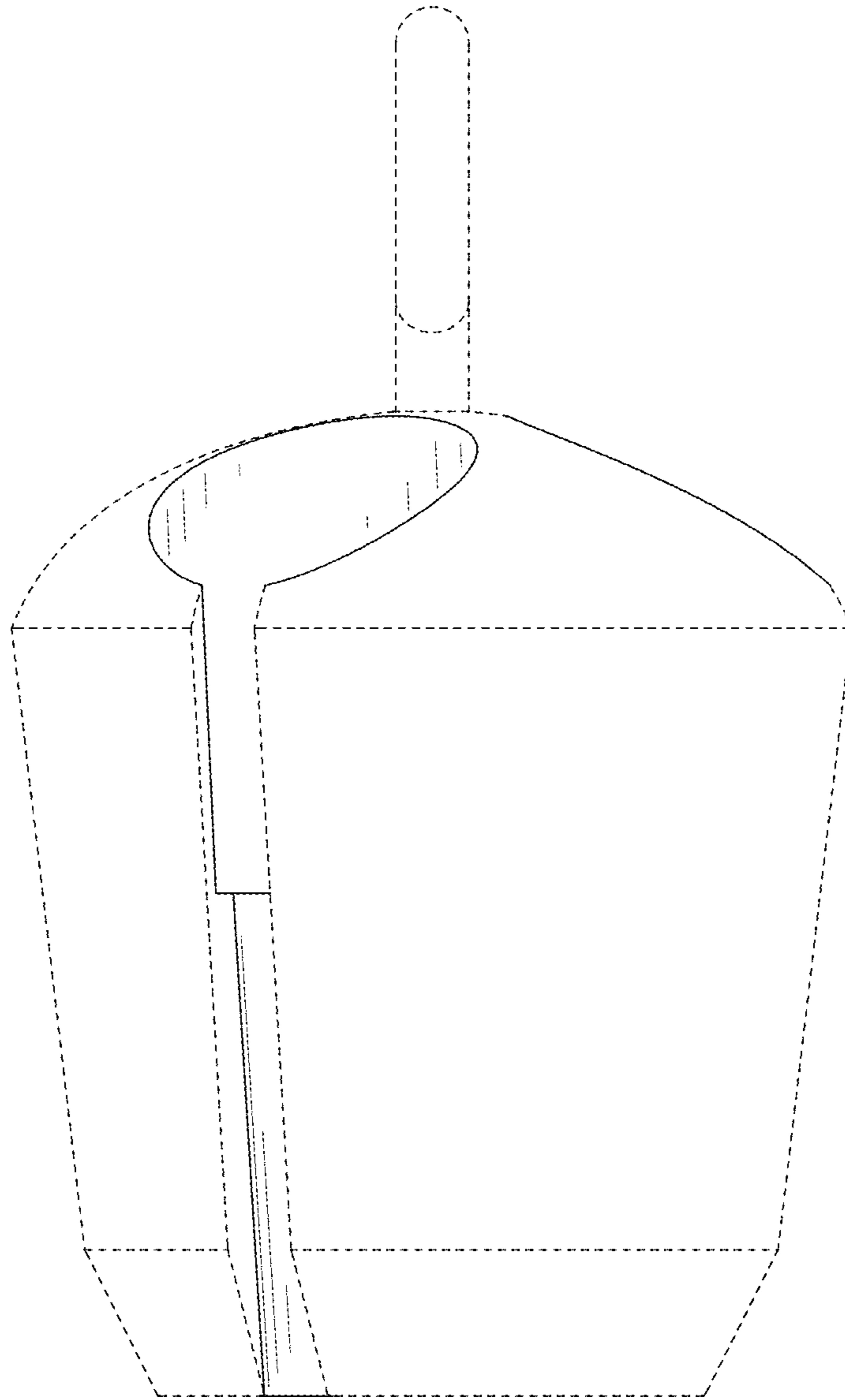


FIG. 6

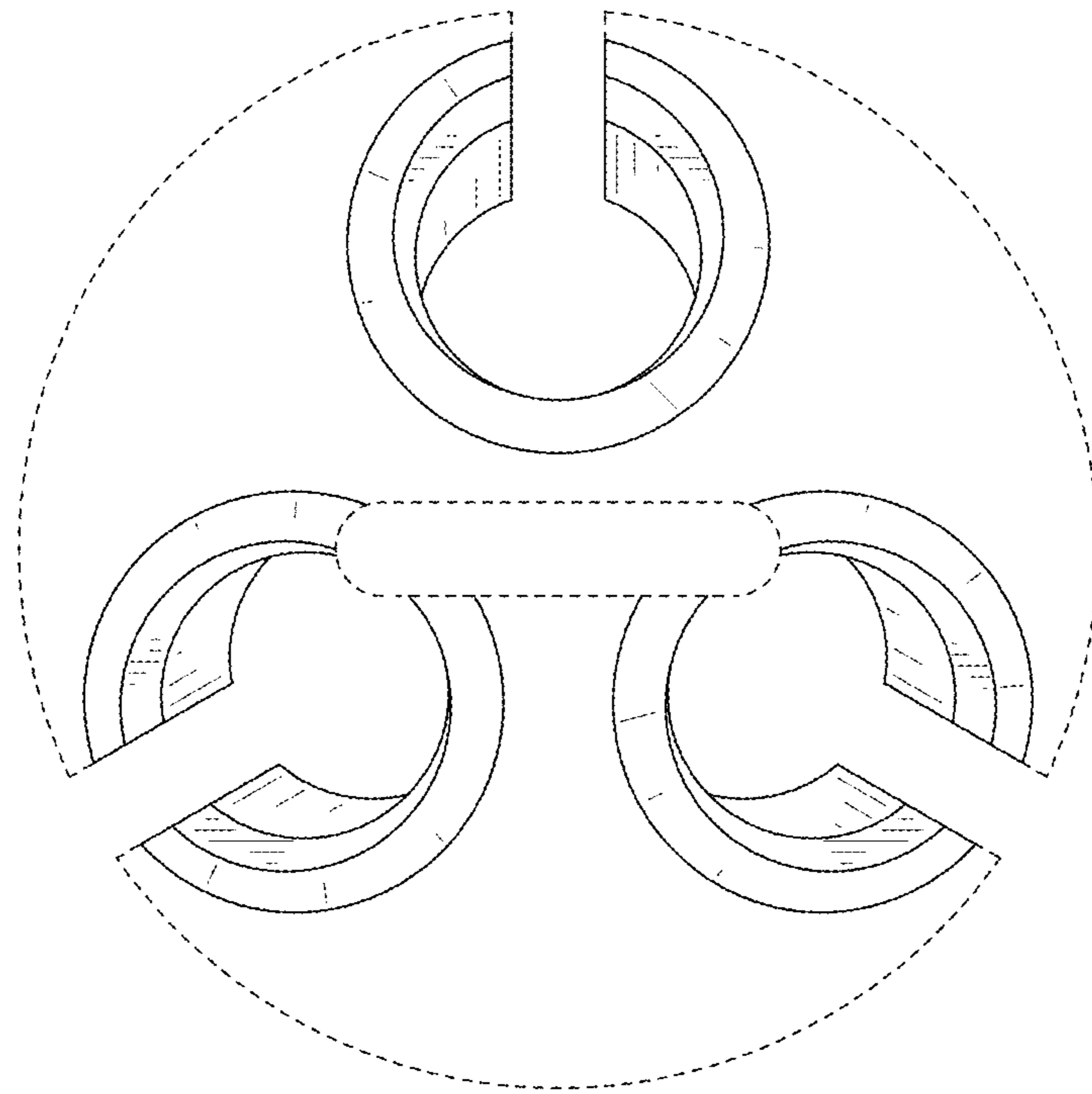


FIG. 7



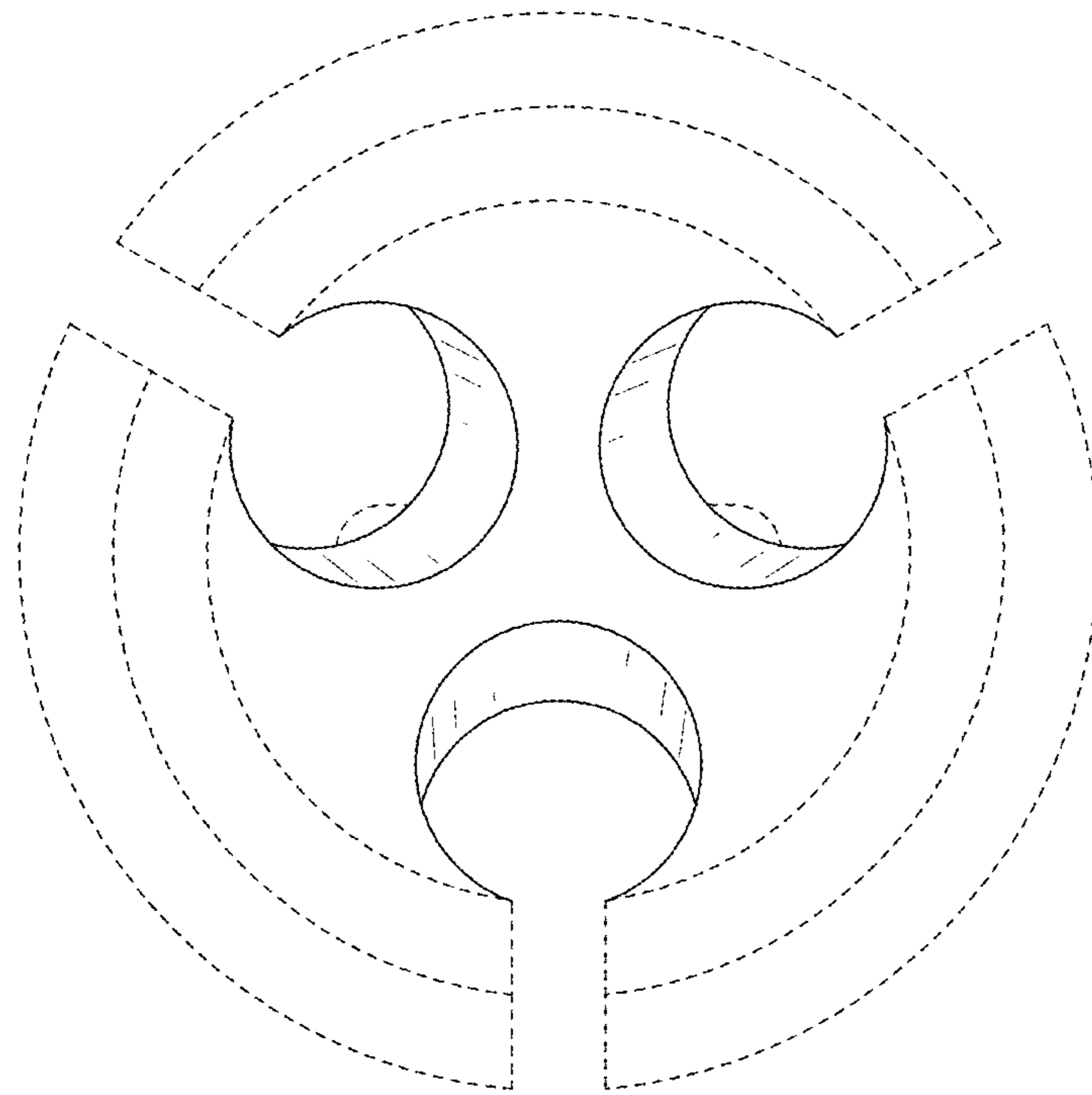


FIG. 8

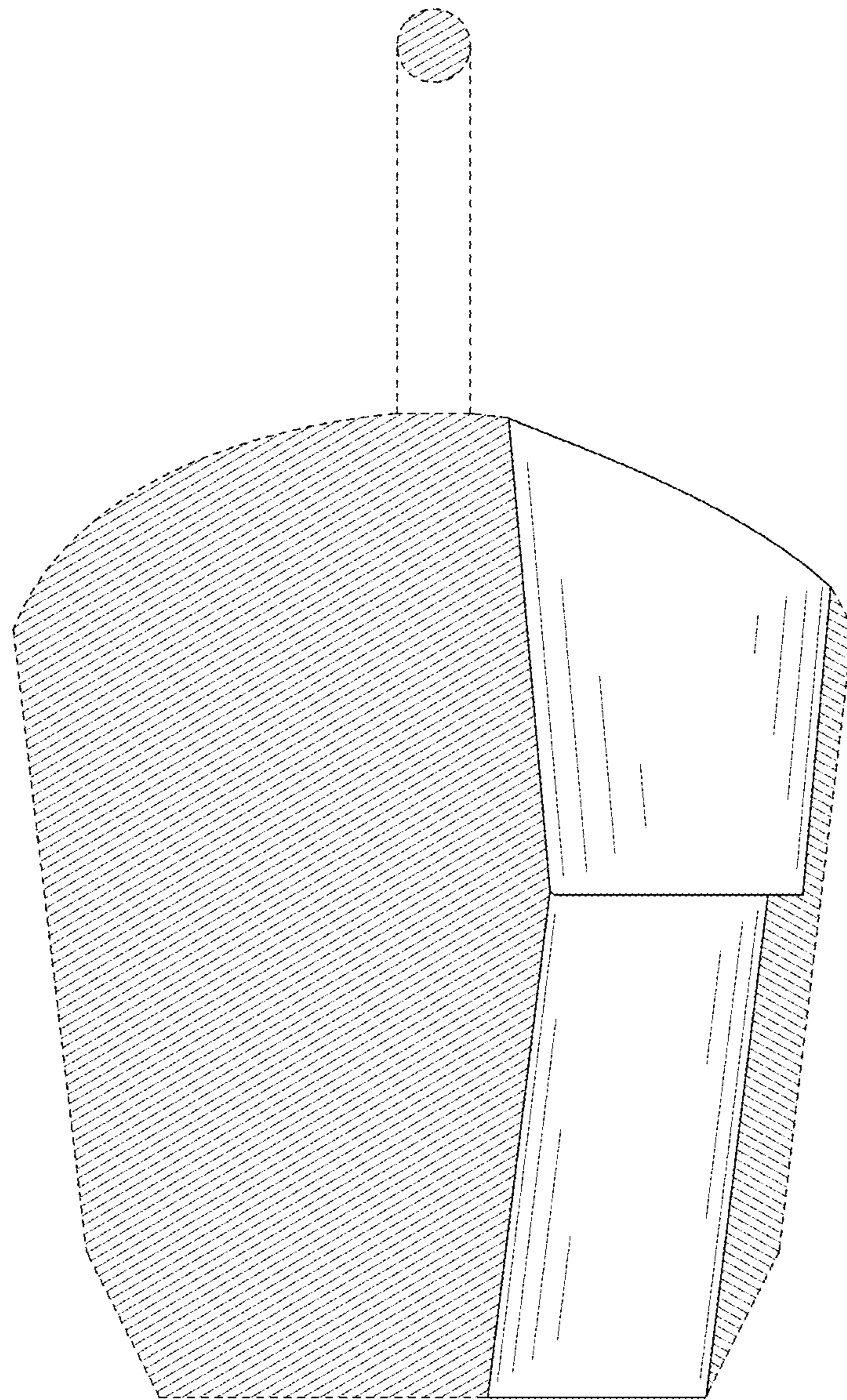


FIG. 9