



US00D981213S

(12) **United States Design Patent**  
**Zhou**

(10) **Patent No.:** **US D981,213 S**  
(45) **Date of Patent:** **\*\* Mar. 21, 2023**

(54) **FILM APPLICATOR**

(71) Applicant: **ShengJie Zhou**, DongGuan (CN)

(72) Inventor: **ShengJie Zhou**, DongGuan (CN)

(\*\*) Term: **15 Years**

(21) Appl. No.: **29/845,714**

(22) Filed: **Jul. 11, 2022**

(51) **LOC (14) Cl.** ..... **08-08**

(52) **U.S. Cl.**  
USPC ..... **D8/349**

(58) **Field of Classification Search**  
USPC ..... D8/354, 355, 330, 331, 333, 380, 349;  
D6/672, 684, 680, 683.1, 703.5  
CPC ..... F16B 5/00; F16B 5/02; F16B 12/50  
See application file for complete search history.

(56) **References Cited**

**U.S. PATENT DOCUMENTS**

D380,139 S *	6/1997	Scott	.....	D8/349
D939,929 S *	1/2022	Ryu	.....	D8/349
D939,930 S *	1/2022	Ryu	.....	D8/349
D939,931 S *	1/2022	Ryu	.....	D8/349
D940,536 S *	1/2022	Ryu	.....	D8/349
D963,444 S *	9/2022	Zhou	.....	D8/14
D964,828 S *	9/2022	Zhou	.....	D8/14
D964,829 S *	9/2022	Zhou	.....	D8/14
2014/0047708 A1 *	2/2014	Chae	.....	H04B 1/3888 29/700
2016/0009024 A1 *	1/2016	Mason	.....	B29C 63/02 156/391
2017/0274635 A1 *	9/2017	Lin	.....	B29C 63/0056

**FOREIGN PATENT DOCUMENTS**

CN	307087132 S	1/2022
CN	307111650 S	2/2022

CN 307345356 S 5/2022

\* cited by examiner

*Primary Examiner* — Ramzi Almatrahi

(74) *Attorney, Agent, or Firm* — Andrew C. Cheng

(57) **CLAIM**

I claim the ornamental design for a film applicator, as shown and described.

**DESCRIPTION**

FIG. 1 is a top, front and right side perspective view of a film applicator showing my new design in an opened configuration;

FIG. 2 is a bottom, rear and left side perspective view thereof;

FIG. 3 is a front elevation view thereof;

FIG. 4 is a rear elevation view thereof;

FIG. 5 is a left side elevation view thereof;

FIG. 6 is a right side elevation view thereof;

FIG. 7 is a top plan view thereof;

FIG. 8 is a bottom plan view thereof;

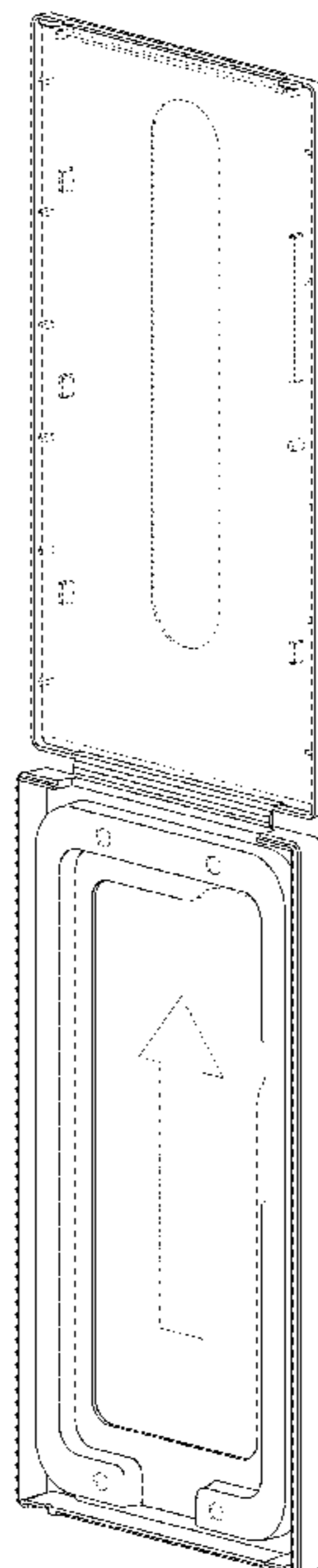
FIG. 9 is a bottom, front and right side perspective view thereof, shown in a closed configuration;

FIG. 10 is a bottom, rear and right side perspective view thereof; and,

FIG. 11 is a top, front and right side perspective view thereof, shown in an opened configuration and in condition of use with a sample environment disclosed in broken lines.

The broken line depict portions of the film applicator in which the design is embodied that form no part of the claimed design. The broken lines showing a sample environment in FIG. 11 represent environmental structure and form no part of the claimed design.

**1 Claim, 11 Drawing Sheets**



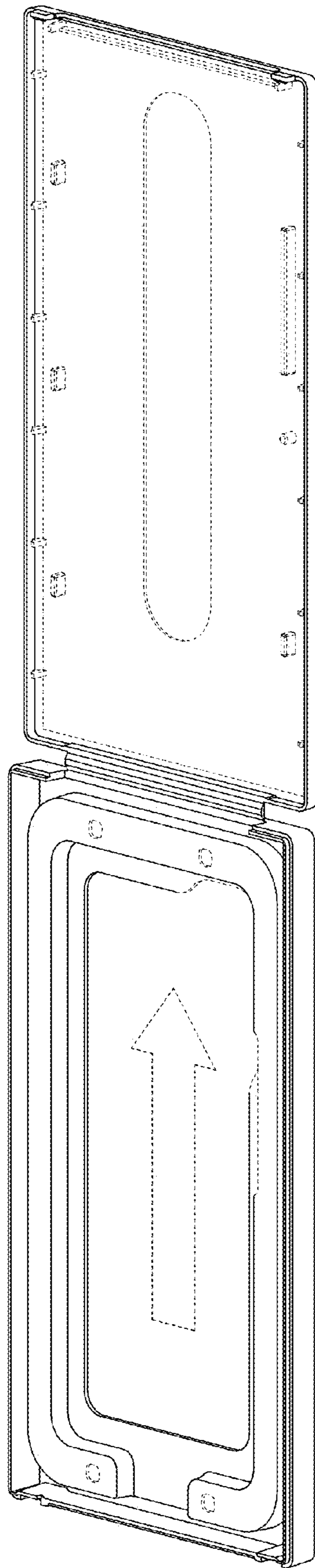


FIG.1

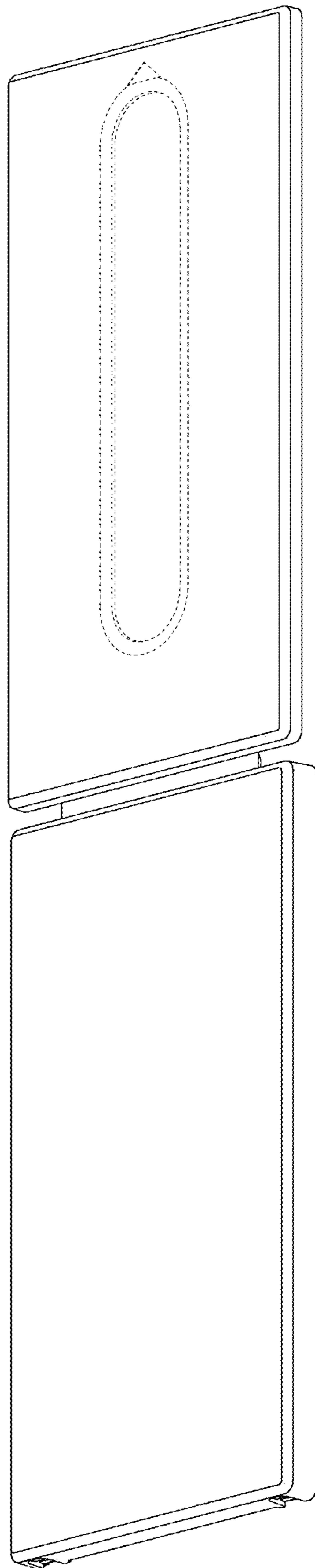


FIG.2

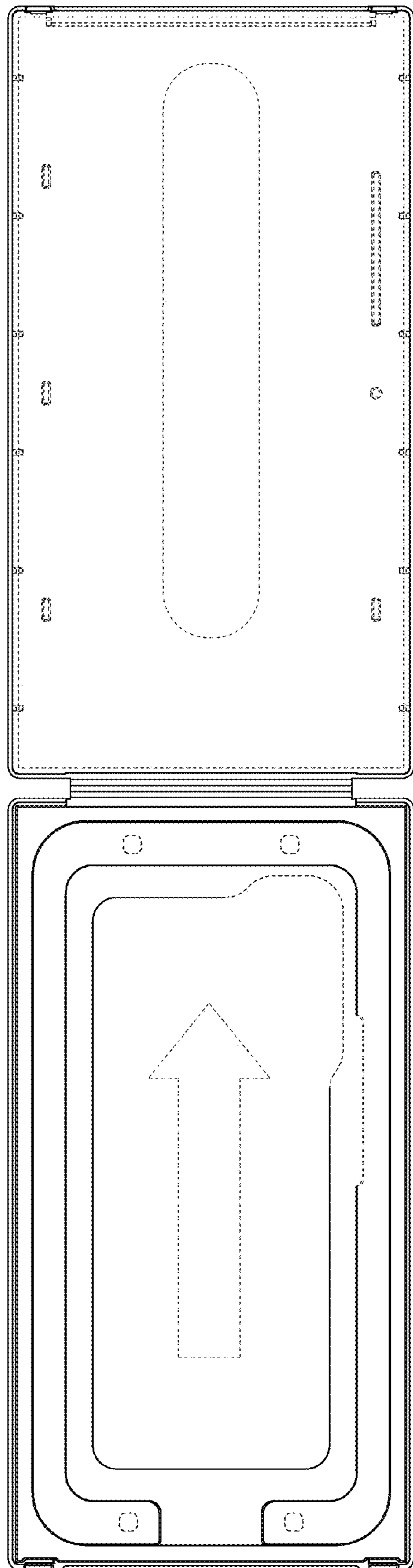


FIG.3

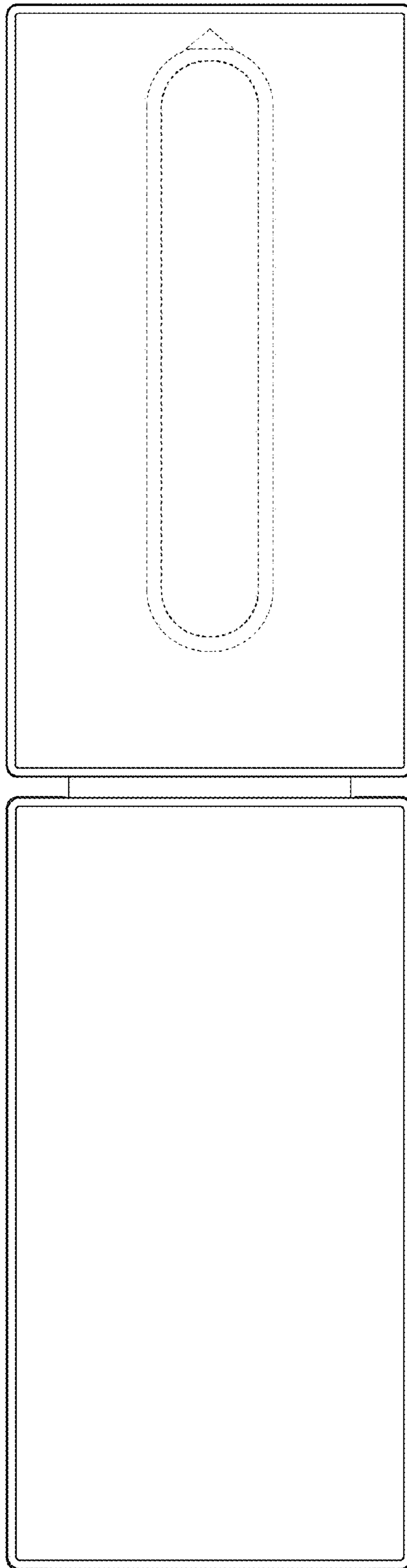


FIG.4



FIG.5



FIG.6

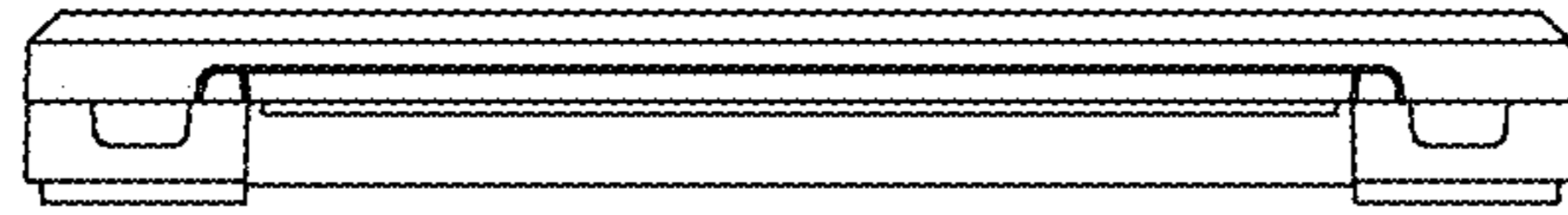


FIG.7



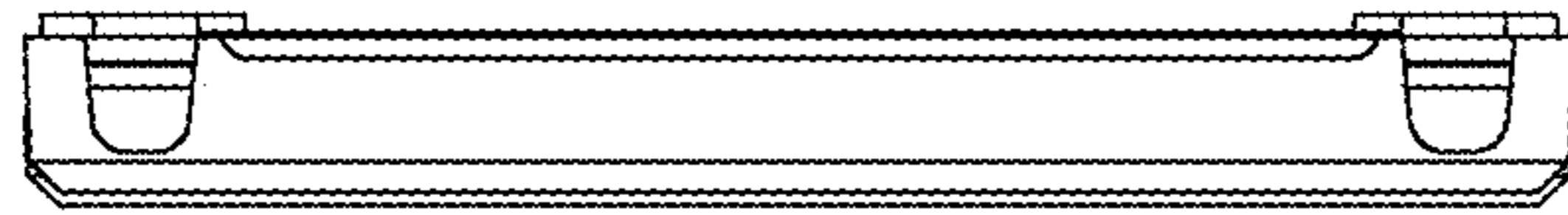


FIG.8

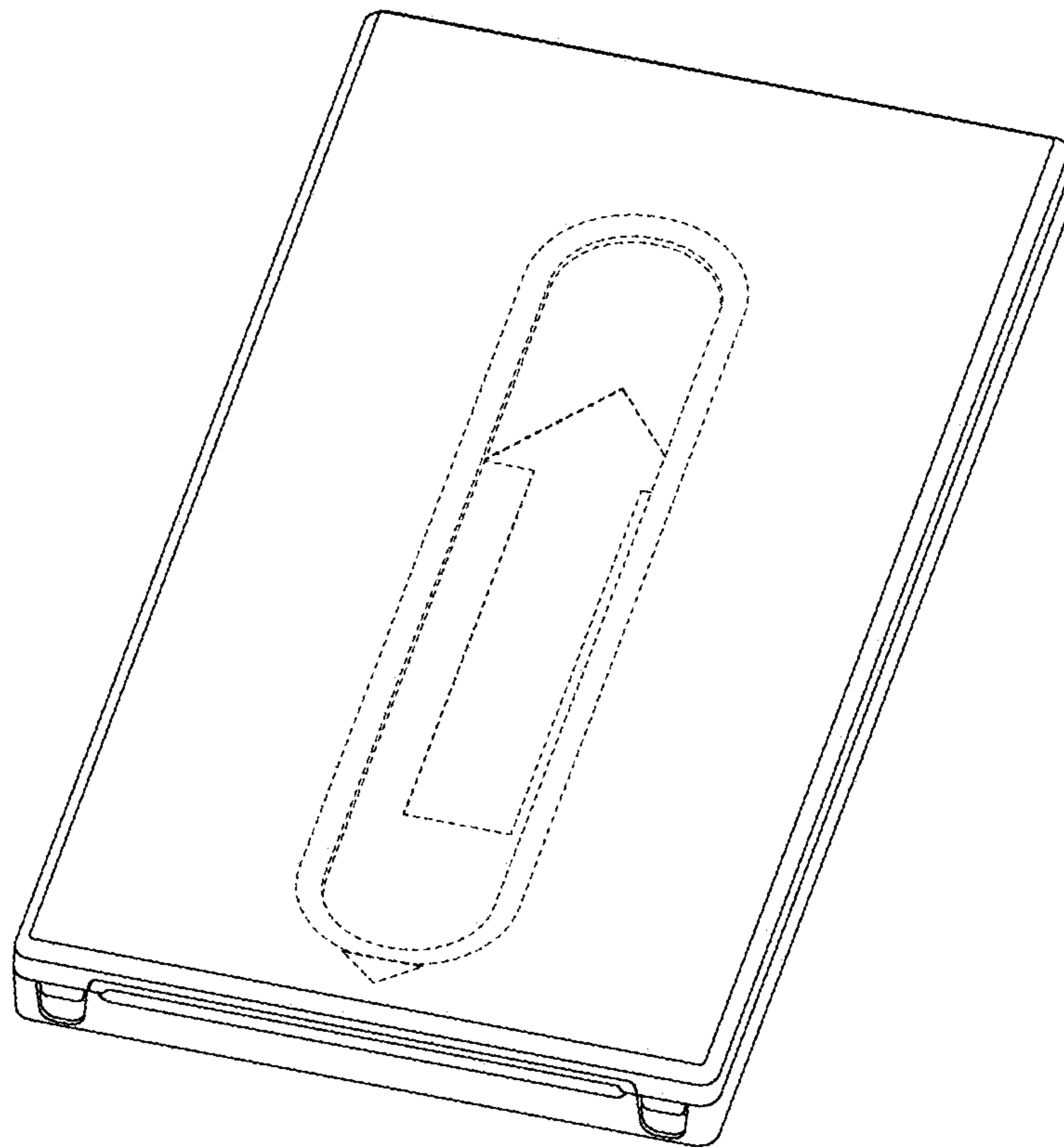


FIG.9

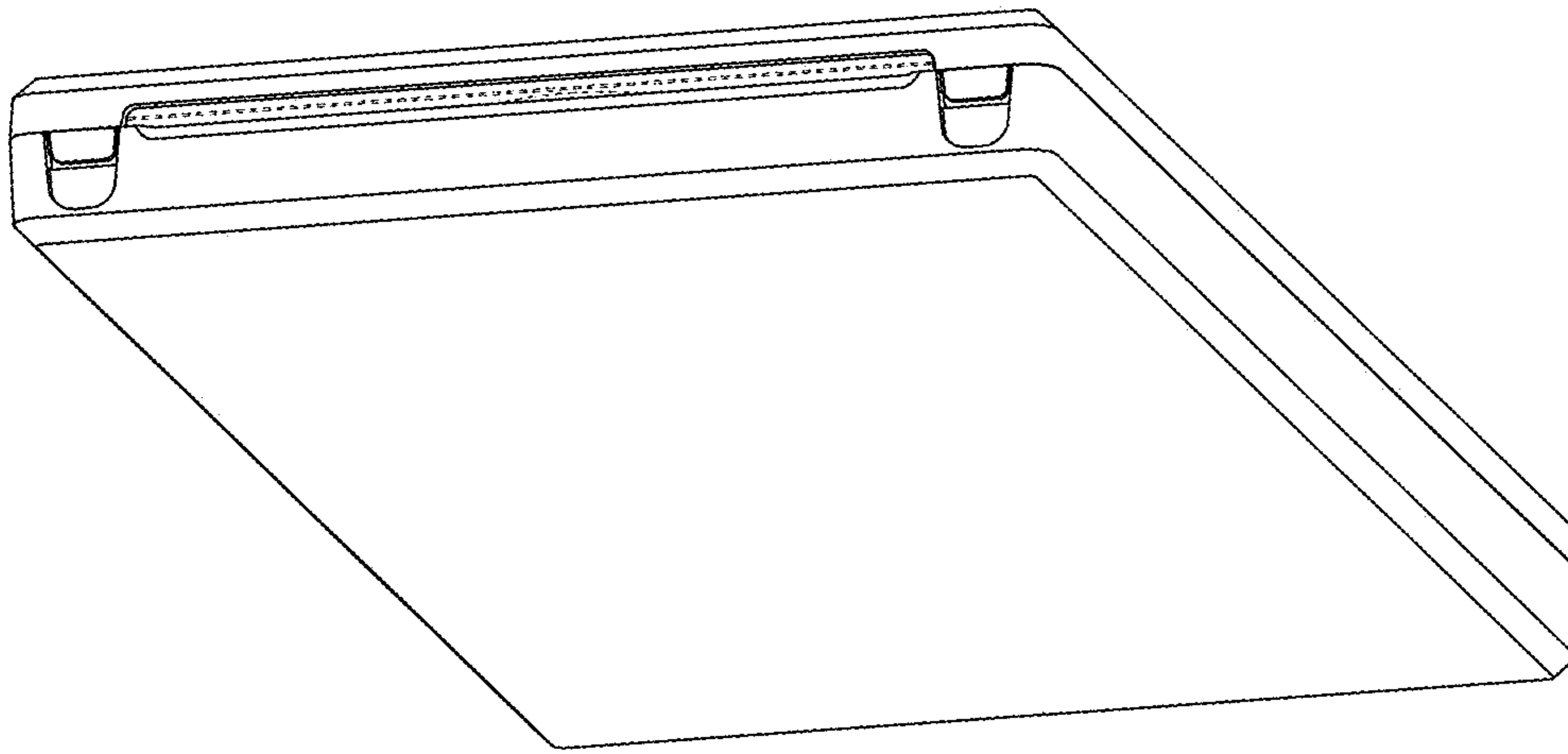


FIG.10

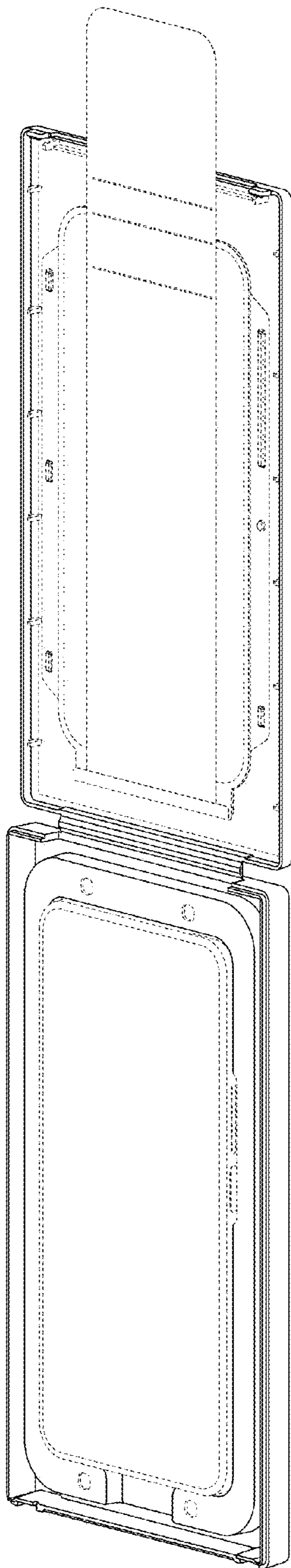


FIG.11